



US00D944581S

(12) **United States Design Patent** (10) **Patent No.:** **US D944,581 S**
Powell (45) **Date of Patent:** **** Mar. 1, 2022**

- (54) **ELECTRIC COFFEE MAKER**
- (71) Applicant: **SEB**, Selongey (FR)
- (72) Inventor: **Dick Powell**, London (GB)
- (73) Assignee: **SEB**, Selongey (FR)
- (**) Term: **15 Years**
- (21) Appl. No.: **29/698,624**
- (22) Filed: **Jul. 18, 2019**

D373,281 S *	9/1996	Simmons	D7/309
D378,970 S	4/1997	Brady		
D379,132 S	5/1997	Brady		
D424,360 S *	5/2000	Schwarz	D7/309
6,095,031 A *	8/2000	Warne	A47J 31/525 99/282
D432,848 S	10/2000	Brady		
D439,103 S *	3/2001	Cruz	D7/309
D442,012 S	5/2001	Haring		
D446,988 S *	8/2001	Lothrop	D7/309
D446,989 S *	8/2001	Cruz	D7/309
D453,656 S	2/2002	Byler		
D462,226 S	9/2002	Williamson et al.		
D477,175 S *	7/2003	Smith	D7/309
D479,089 S	9/2003	Yao		
D481,902 S	11/2003	O'Connor et al.		
D511,066 S	11/2005	Garner		
D530,138 S	10/2006	Sumser		
D543,770 S *	6/2007	Ye	D7/309
D545,110 S	6/2007	Julemont		

Related U.S. Application Data

- (62) Division of application No. 35/504,768, filed on Mar. 22, 2018 (U.S. filing date under 35 U.S.C. 384), and having an international filing date of Mar. 22, 2018, now Pat. No. Des. 859,903.

Foreign Application Priority Data

- (30) Oct. 30, 2017 (FR) 2017-4979

- (51) **LOC (13) Cl.** **07-01**
- (52) **U.S. Cl.**
USPC **D7/309**

- (58) **Field of Classification Search**
USPC D7/300, 305, 306, 309-311, 355, 362,
D7/365, 367, 397
CPC A47J 31/46; A47J 31/407; A47J 31/50;
A47J 31/18; A47J 31/00; A47J 31/0573;
A47J 31/52; A47J 27/04
See application file for complete search history.

References Cited

U.S. PATENT DOCUMENTS

D343,758 S	2/1994	Beeren
D359,413 S	6/1995	Storsberg
D371,270 S	7/1996	Bell et al.

(Continued)

Primary Examiner — Michelle E. Wilson

Assistant Examiner — Andrew Kerr

(74) *Attorney, Agent, or Firm* — Loeb & Loeb LLP

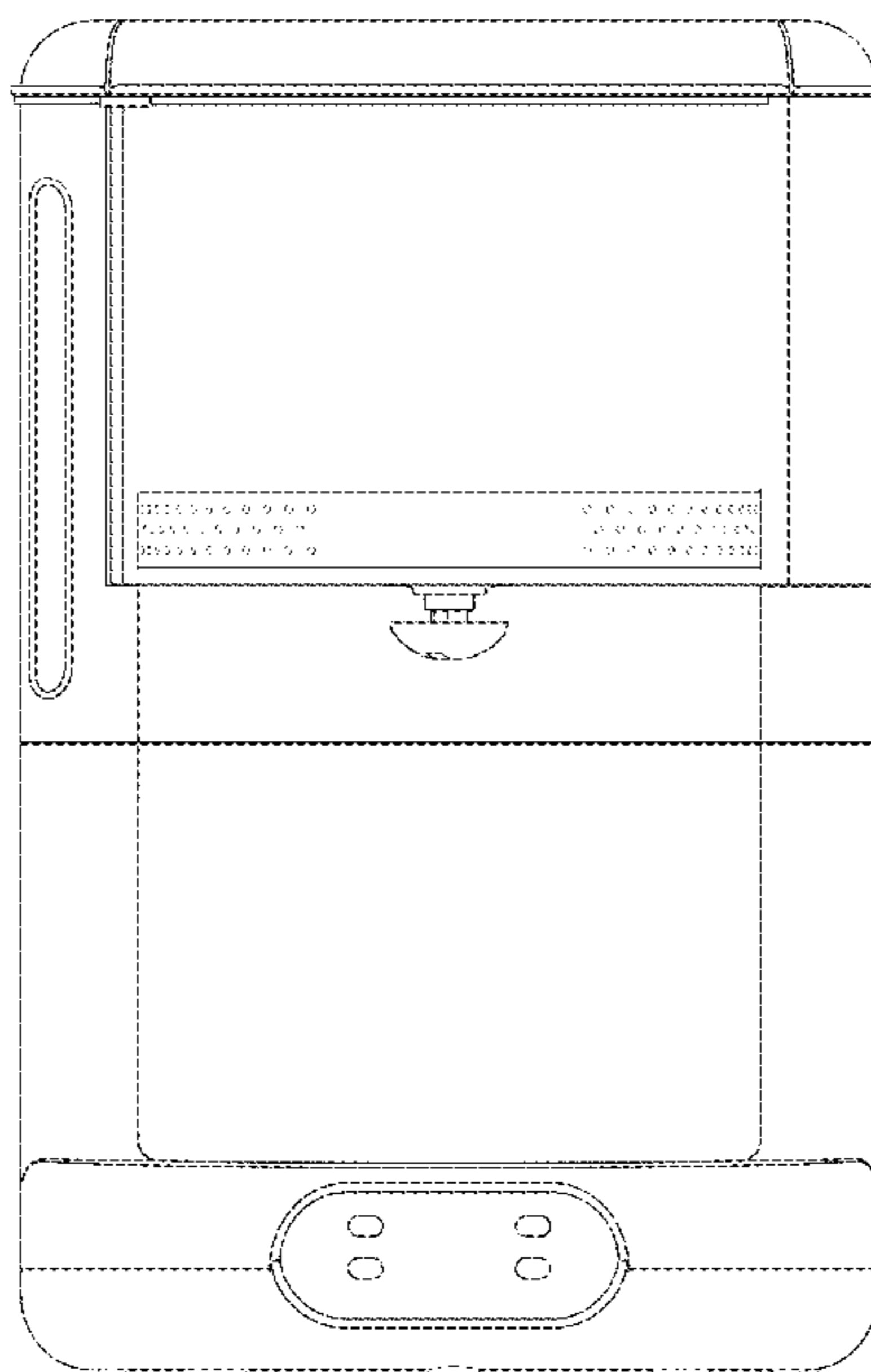
(57) **CLAIM**

I claim the ornamental design for an electric coffee maker, as shown and described.

DESCRIPTION

FIG. 1 is front elevation view of an electric coffee maker, showing my new design;
 FIG. 2 is a rear elevation view thereof;
 FIG. 3 is a right elevation view thereof;
 FIG. 4 is a left elevation view thereof;
 FIG. 5 top plan view thereof;
 FIG. 6 is a bottom plan view thereof; and,
 FIG. 7 is a perspective view thereof.
 The broken lines in the drawings depict portions of the electric coffee maker that form no part of the claimed design.

1 Claim, 7 Drawing Sheets



(56)

References Cited

U.S. PATENT DOCUMENTS

D545,608	S	7/2007	Picozza	
D546,112	S	7/2007	Rorke et al.	
D550,499	S	9/2007	Argabrite et al.	
D571,598	S	6/2008	Moore	
D577,252	S *	9/2008	Kotoku	D7/309
D583,611	S	12/2008	Moline	
D586,171	S	2/2009	Picozza et al.	
D600,062	S *	9/2009	Lavy	D7/309
D594,688	S	10/2009	Hammad	
D620,301	S	7/2010	Picozza et al.	
D620,302	S	7/2010	Picozza et al.	
D627,188	S	11/2010	Picozza et al.	
D628,007	S	11/2010	Di Bitonto	
D630,039	S *	1/2011	Lin	D7/309
D639,598	S	6/2011	Eckholm	
D658,423	S *	5/2012	Curtis	D7/309
D673,804	S	1/2013	De'Longhi	
D677,510	S	3/2013	Tetreault	
D685,600	S *	7/2013	White	D7/309
D687,255	S *	8/2013	Grasselli	D7/309
D694,566	S	12/2013	Harthoorn et al.	
D719,776	S	12/2014	Kunz	
D775,887	S *	1/2017	Atkin	D7/309
D795,631	S *	8/2017	Armstrong	D7/326
D859,903	S *	9/2019	Powell	D7/309
D893,234	S *	8/2020	Broen	D7/306
D901,969	S *	11/2020	Kestenbaum	D7/399
2007/0295216	A1 *	12/2007	Williamson	A47J 31/0631 99/275

* cited by examiner

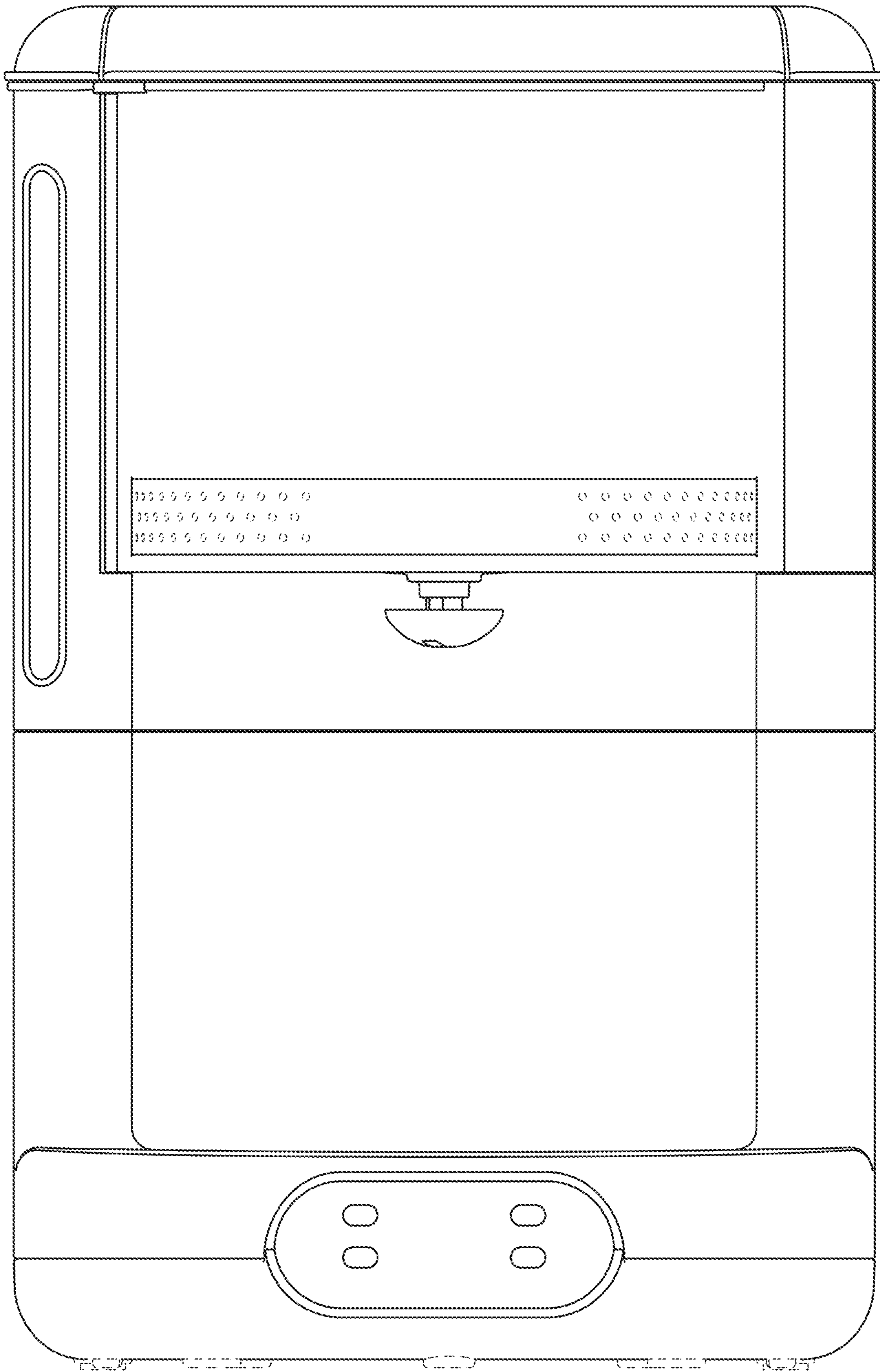


FIG. 1

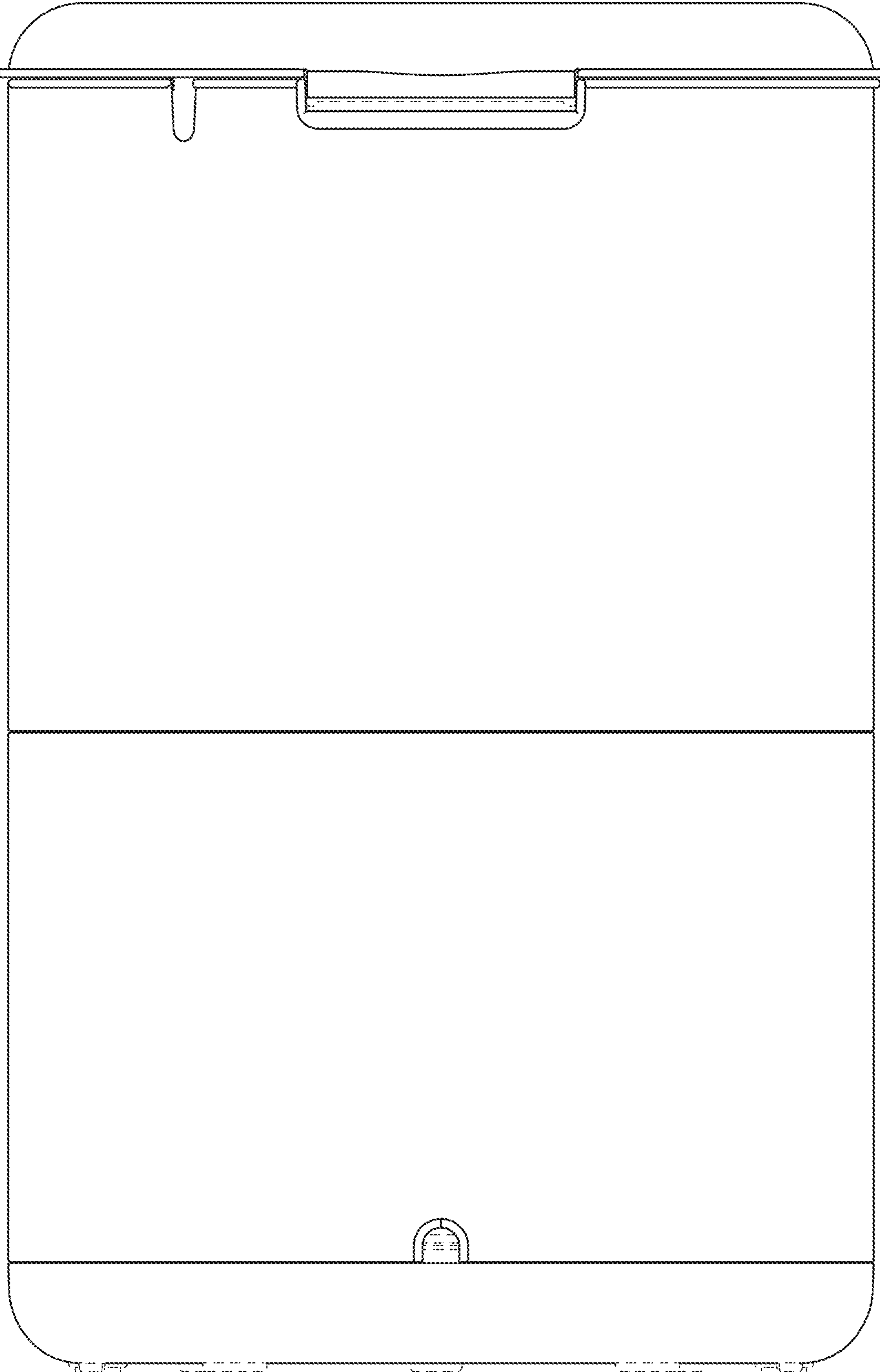


FIG. 2

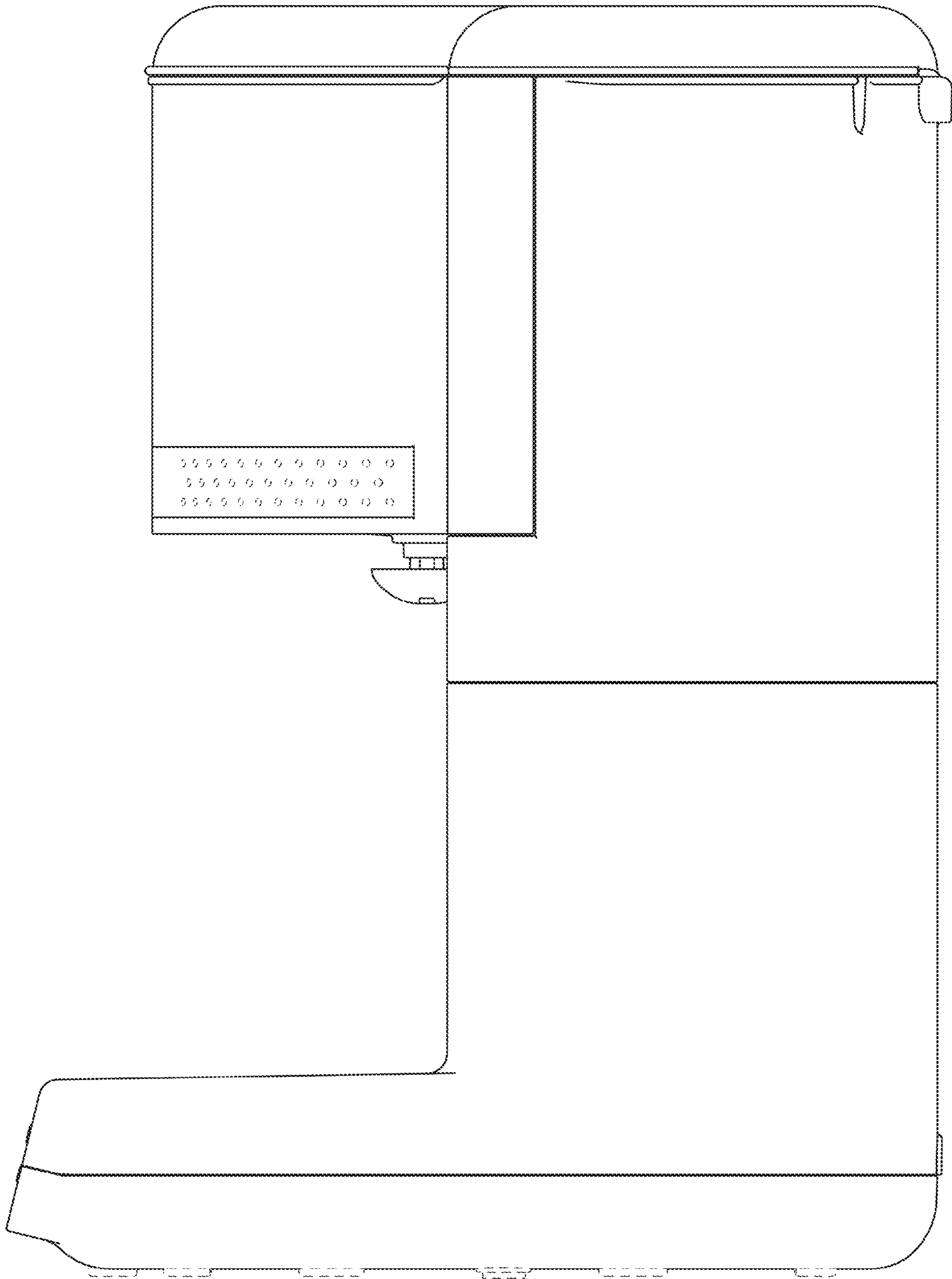


FIG. 3

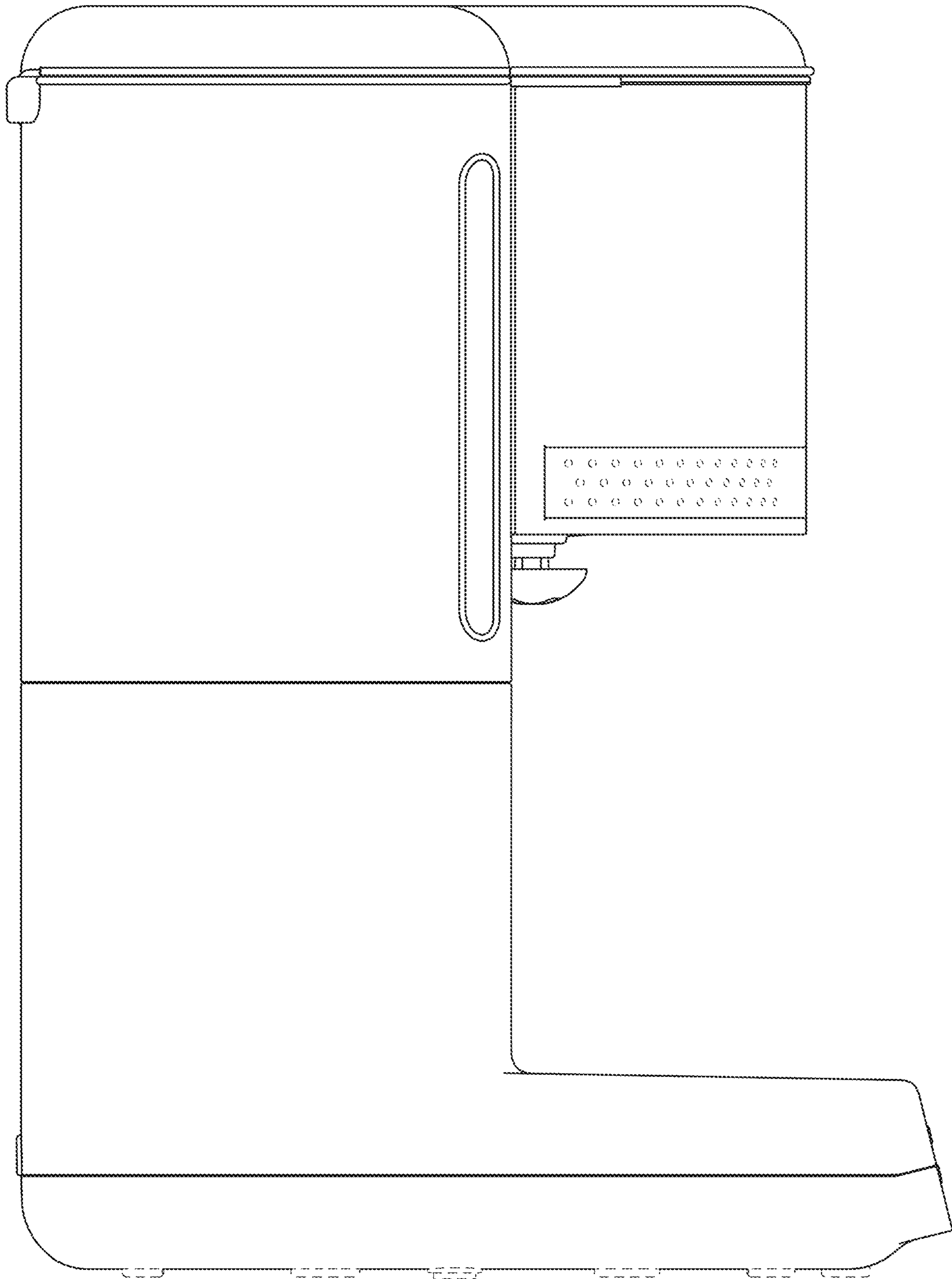


FIG. 4

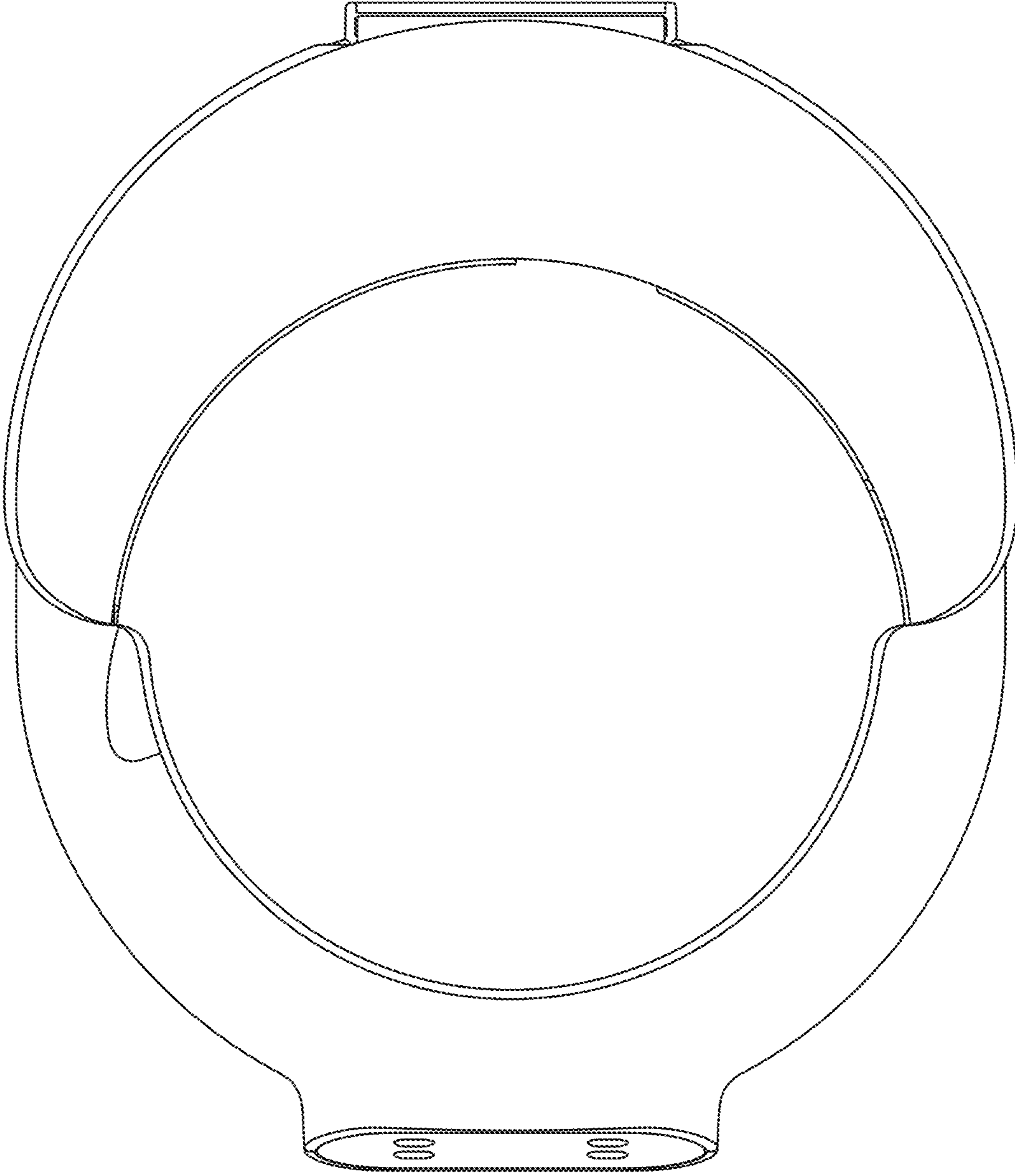


FIG. 5

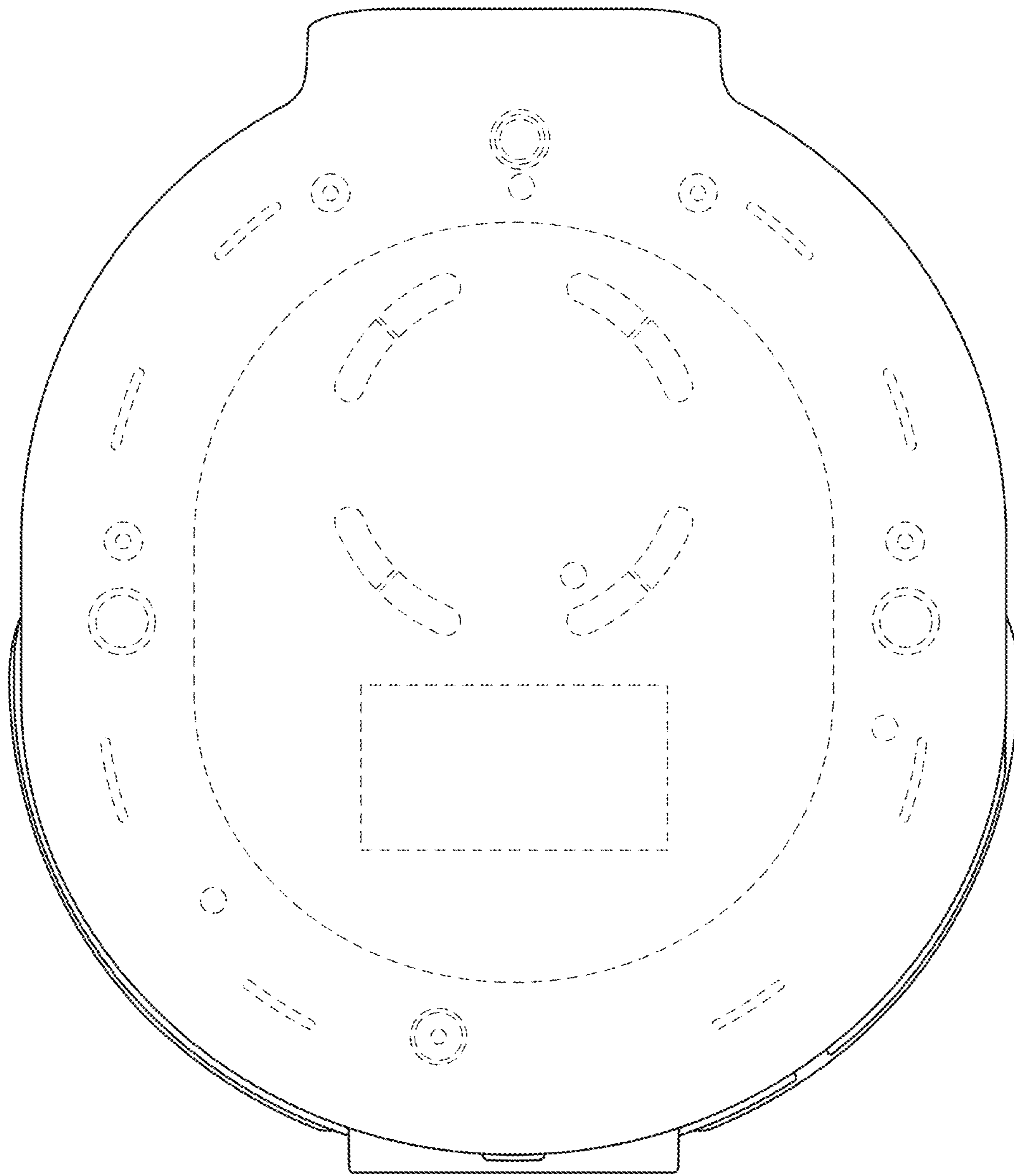


FIG. 6

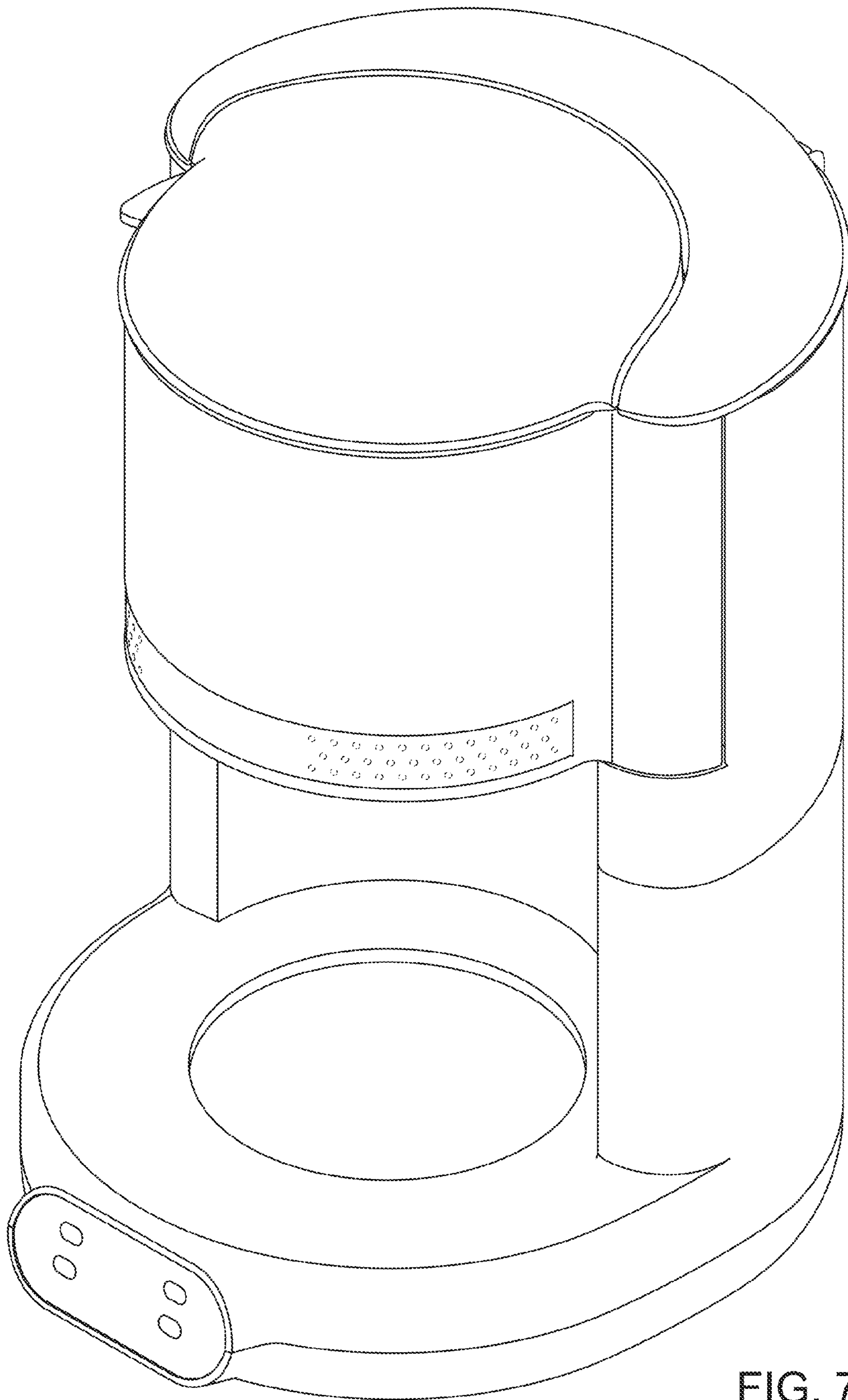


FIG. 7