



US00D944580S

(12) **United States Design Patent** (10) **Patent No.:** **US D944,580 S**
Lee et al. (45) **Date of Patent:** **** Mar. 1, 2022**

(54) **AUTOMATIC BEVERAGE PREPARATION MACHINE**

(71) Applicant: **Botrista Technology, Inc.**, Redwood City, CA (US)

(72) Inventors: **Yu-Min Lee**, New Taipei (TW); **Carl Johan Uno Hagerling**, Lund (SE); **Wu-Chou Kuo**, Taipei (TW)

(73) Assignee: **BOTRISTA TECHNOLOGY, INC.**, Redwood City, CA (US)

(**) Term: **15 Years**

(21) Appl. No.: **29/714,901**

(22) Filed: **Nov. 26, 2019**

(51) **LOC (13) Cl.** **07-02**

(52) **U.S. Cl.**
USPC **D7/306**

(58) **Field of Classification Search**
USPC D7/300–322, 378, 397–400, 602, 603, D7/700; D9/417, 447, 524–526, 530,
(Continued)

(56) **References Cited**

U.S. PATENT DOCUMENTS

D188,154 S * 6/1960 Frick D7/305
D190,599 S * 6/1961 Gardner D7/306
(Continued)

OTHER PUBLICATIONS

Monsieur. The Artificially Intelligent Robotic Bartender, first available Sep. 4, 2014, Kickstarter, [online], [site visited Sep. 8, 2021], Available from internet URL: <https://www.kickstarter.com/projects/monsieur/monsieur-the-artificially-intelligent-robotic-bart> (Year: 2014).*
(Continued)

Primary Examiner — Mary Ann Calabrese

Assistant Examiner — Natalya M Rapundalo

(74) *Attorney, Agent, or Firm* — Birch, Stewart, Kolasch & Birch, LLP

(57) **CLAIM**

The ornamental design for an automatic beverage preparation machine, as shown and described.

DESCRIPTION

FIG. 1 is a top, front, and left side perspective view of the first embodiment of an automatic beverage preparation machine showing the new design;

FIG. 2 is a front view thereof;

FIG. 3 is a left side thereof;

FIG. 4 is a right side view thereof;

FIG. 5 is a top view thereof;

FIG. 6 is a top, front, and right side perspective view thereof;

FIG. 7 is a top, front, and left side perspective view of the second embodiment of an automatic beverage preparation machine showing the new design;

FIG. 8 is a front view thereof;

FIG. 9 is a left side thereof;

FIG. 10 is a right side view thereof;

FIG. 11 is a top view thereof;

FIG. 12 is a top, front, and right side perspective view thereof;

FIG. 13 is a top, front, and left side perspective view of the third embodiment of an automatic beverage preparation machine showing the new design;

FIG. 14 is a front view thereof;

FIG. 15 is a left side thereof;

FIG. 16 is a right side view thereof;

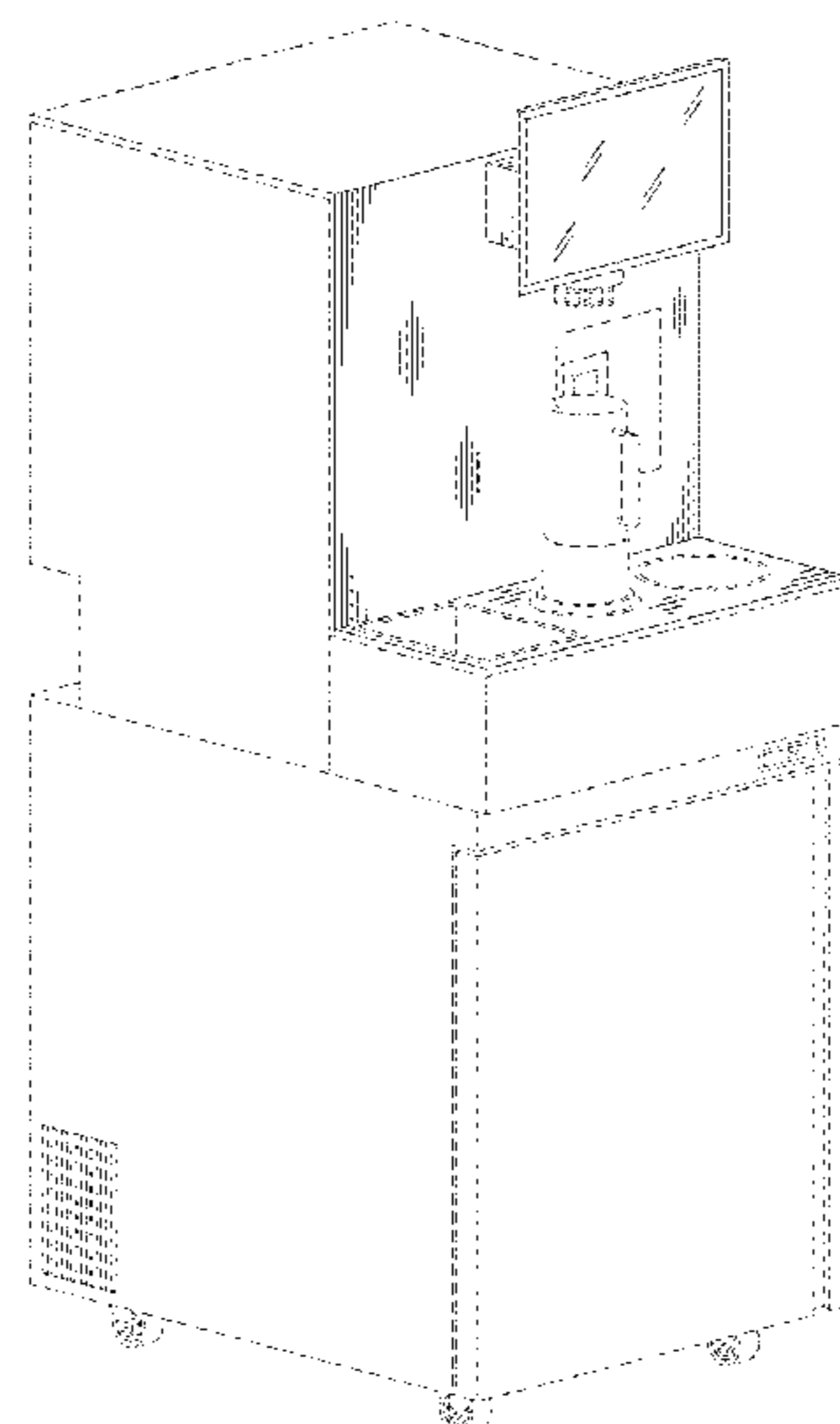
FIG. 17 is a top view thereof; and,

FIG. 18 is a top, front, and right side perspective view thereof.

Features shown in broken lines in the drawings form no part of the claimed design.

The rear views and bottom views of the first, second, and third embodiments are omitted since they do not contain ornamental features.

1 Claim, 18 Drawing Sheets



(58) **Field of Classification Search**

USPC D9/572, 575, 633; D15/81, 82; D20/1;
 D23/201, 205, 209; D24/216, 220, 224;
 D30/121, 132; D34/39; 99/275, 276
 CPC A23G 9/0452; A47J 31/00; A47J 31/007;
 A47J 31/057; A47J 31/10; A47J 31/3676;
 A47J 31/40; A47J 31/402; A47J 31/404;
 A47J 31/41; A47J 31/4482; A47J
 31/4489; A47J 43/042; A47J 43/27; A47J
 2043/04454; B67D 1/00; B67D 1/0004;
 B67D 1/0021; B67D 1/0078; B67D
 1/0462; B67D 1/0801; B67D 1/0872;
 B67D 1/1252; B67D 2001/0087; B67D
 2001/0098; B67D 2001/0822; B67D
 3/0032; B67D 3/0035; B67D 7/82; B67D
 7/84; C02F 1/002; C02F 1/003; C12C
 11/00; C12C 11/006; C12C 13/10

See application file for complete search history.

(56) **References Cited**

U.S. PATENT DOCUMENTS

D195,450 S * 6/1963 Smith D7/307
 D556,493 S * 12/2007 Isett D7/300

D651,279 S * 12/2011 Wilson D23/207
 D688,080 S * 8/2013 Kalik D7/307
 D758,119 S * 6/2016 Sanchez D7/307
 D855,823 S * 8/2019 Williamson A23G 9/045
 D24/216
 2014/0212566 A1 * 7/2014 Herbert A23G 9/045
 426/590

OTHER PUBLICATIONS

Botrista DrinkBot—Making craft drinks can’t be more easier, first available Dec. 16, 2019, YouTube, [online], [site visited Sep. 8, 2021], Available from internet URL: <https://www.youtube.com/watch?v=QVLz6g0wWR4> (Year: 2019).*

DrinkBot Specifications Sheet, Botrista, [online], [site visited Sep. 8, 2021], Available from internet URL: https://2388e7c9-db48-416b-b0fb-2c2b73cdf89c.filesusr.com/ugd/3e2957_1ba42ec3a33c4eea8e1db8be7ec896b6.pdf (Year: 2021).*

The DrinkBot, Botrista, [online], [site visited Sep. 8, 2021], Available from internet URL: <https://www.botrista.co/the-drinkbot> (Year: 2021).*

* cited by examiner

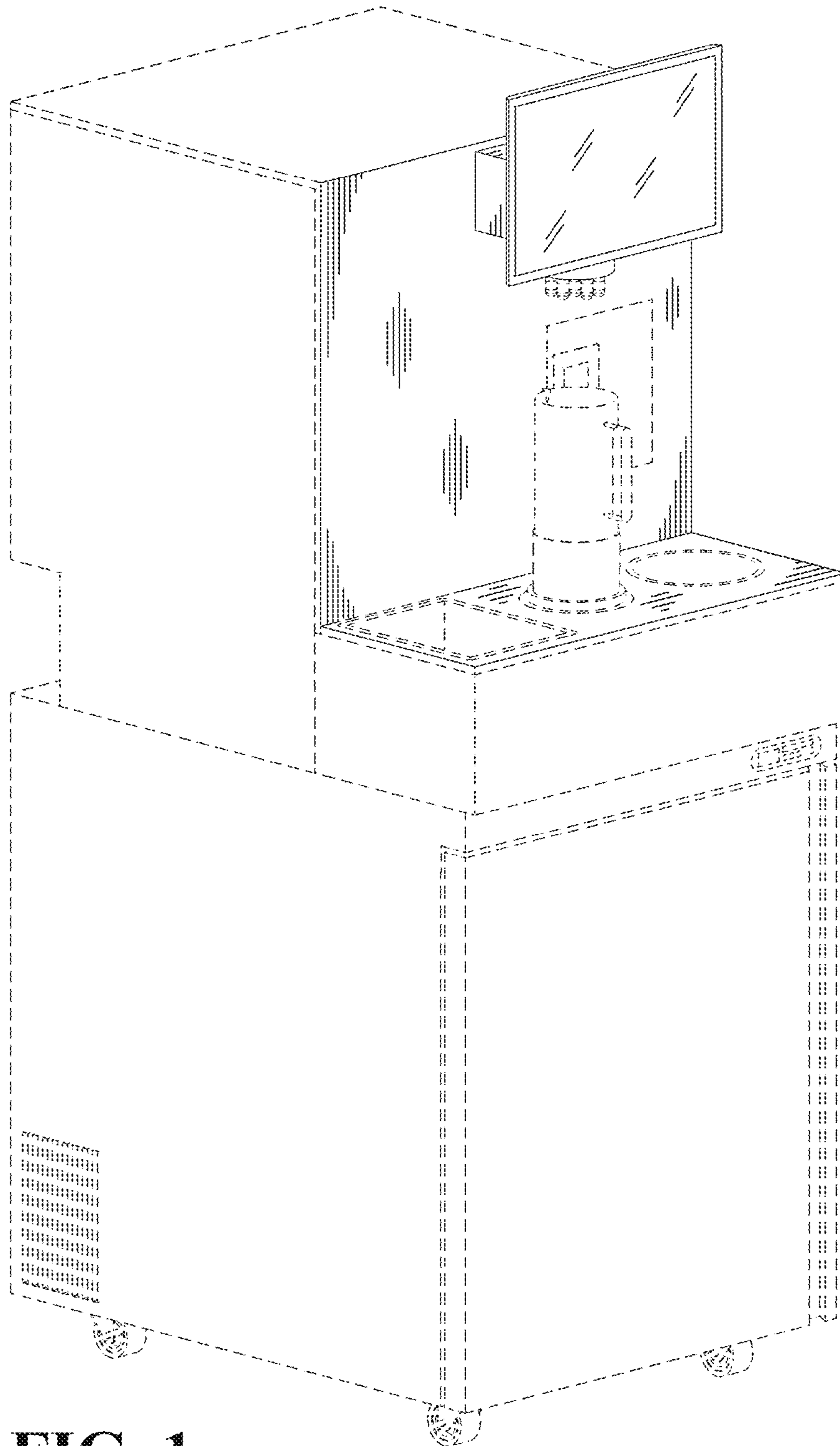


FIG. 1

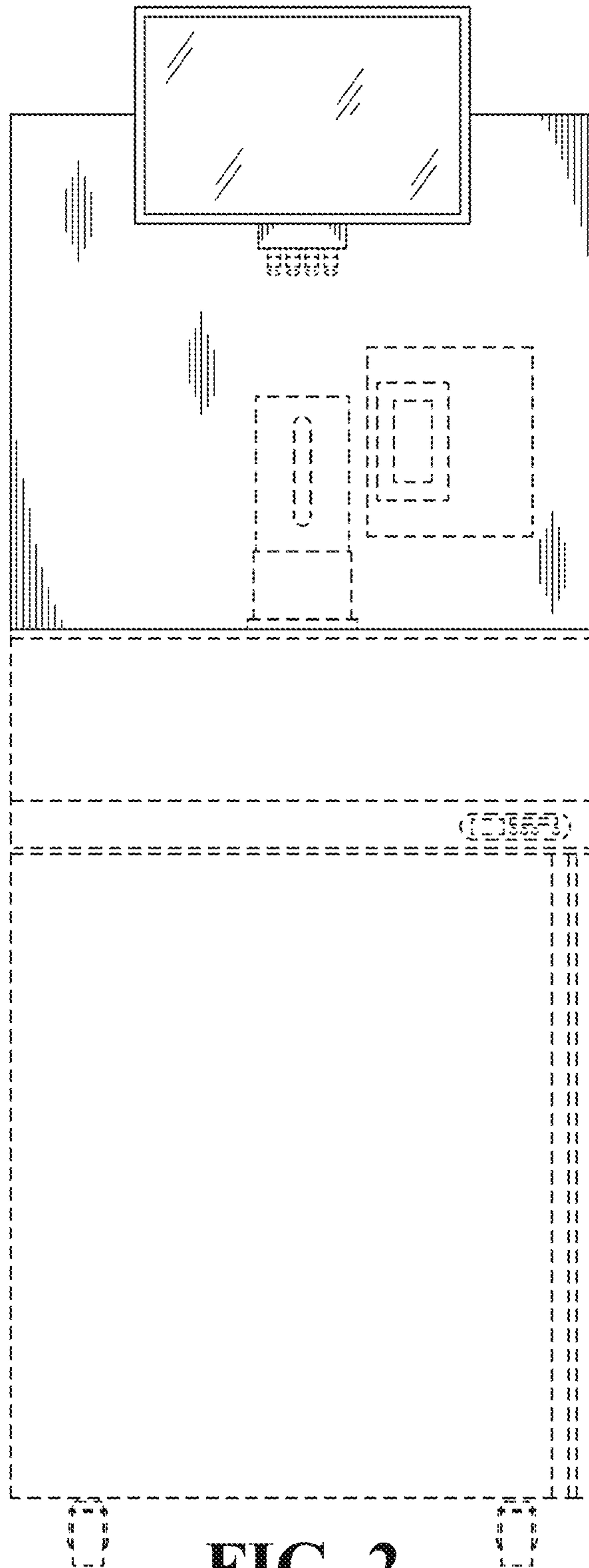


FIG. 2

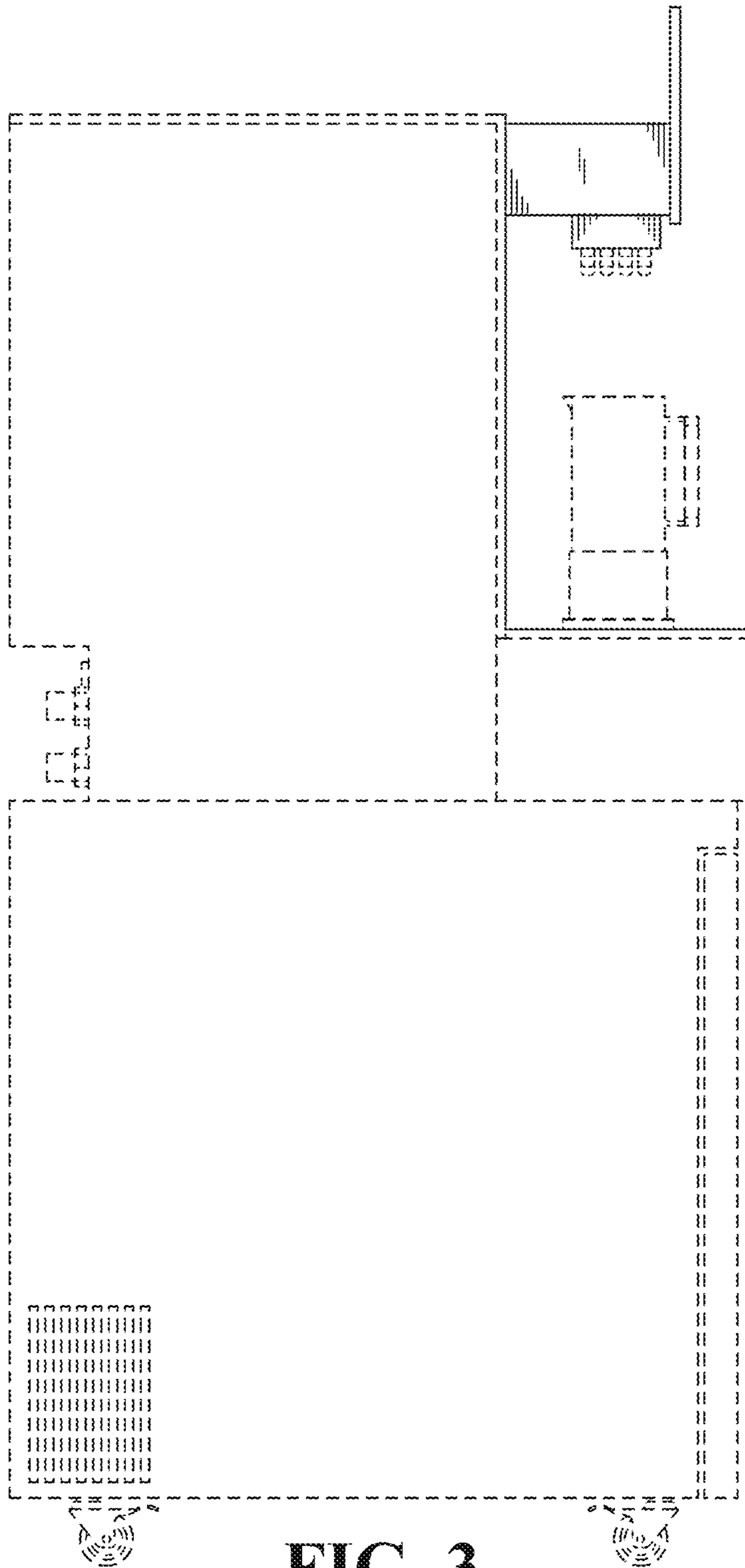


FIG. 3

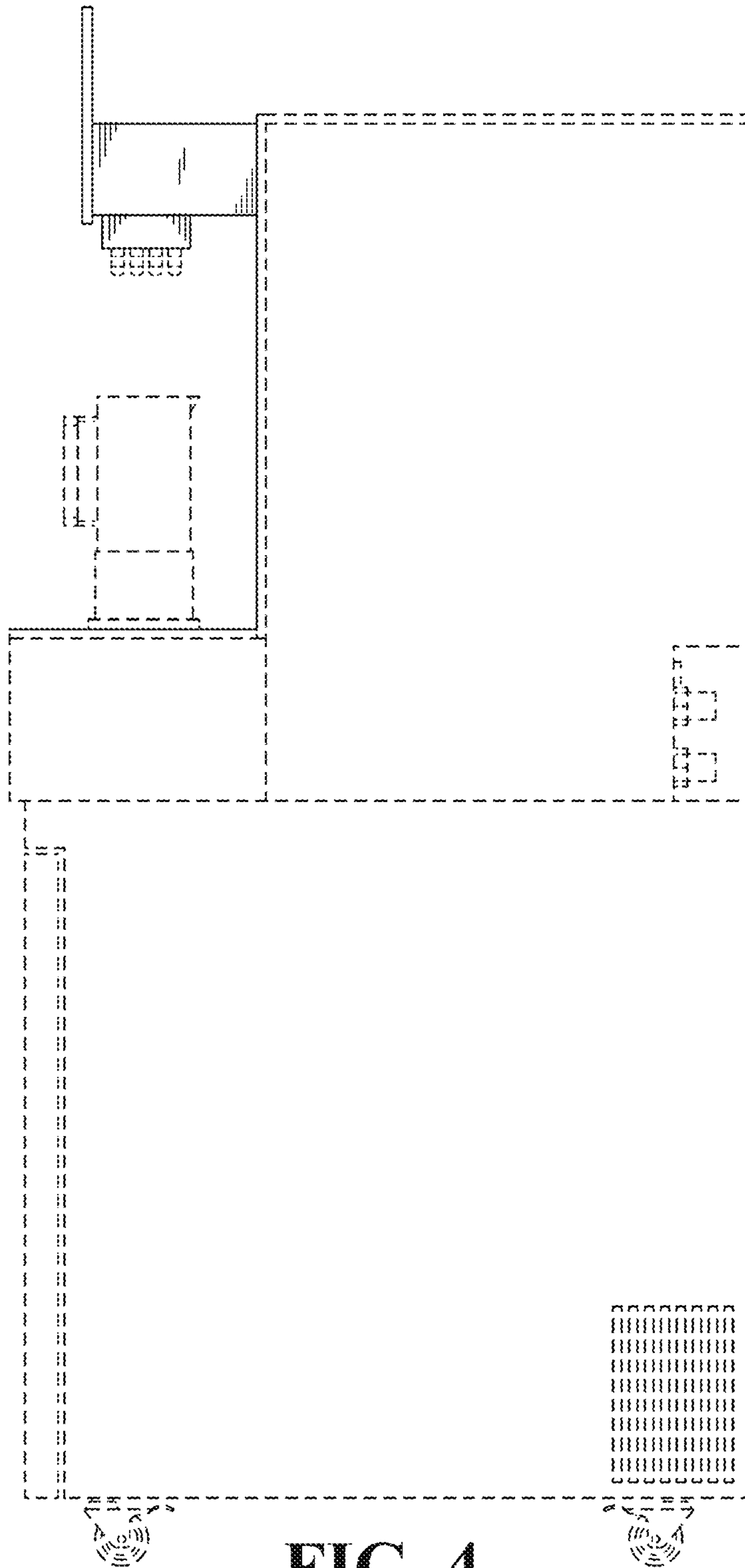


FIG. 4

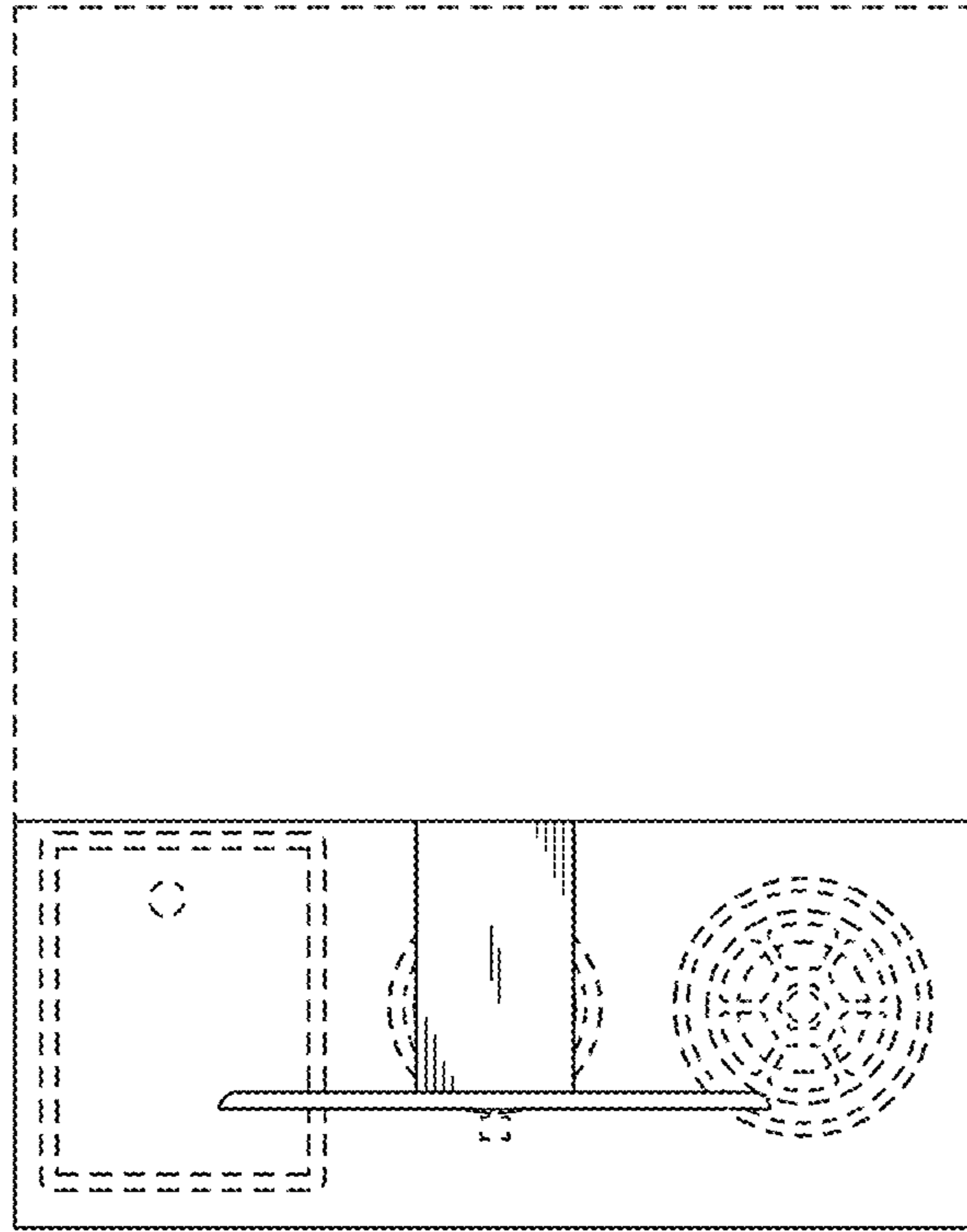


FIG. 5

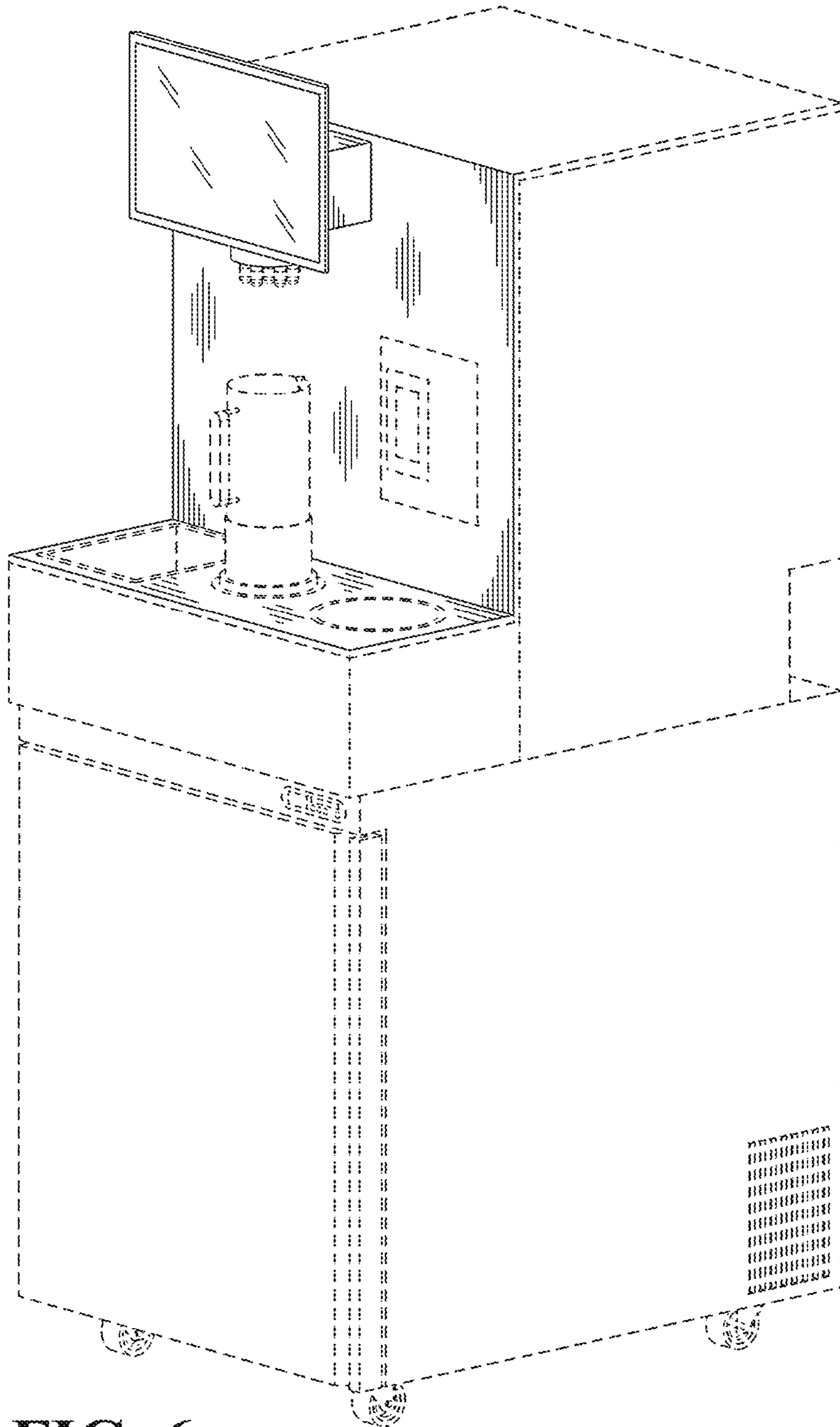


FIG. 6

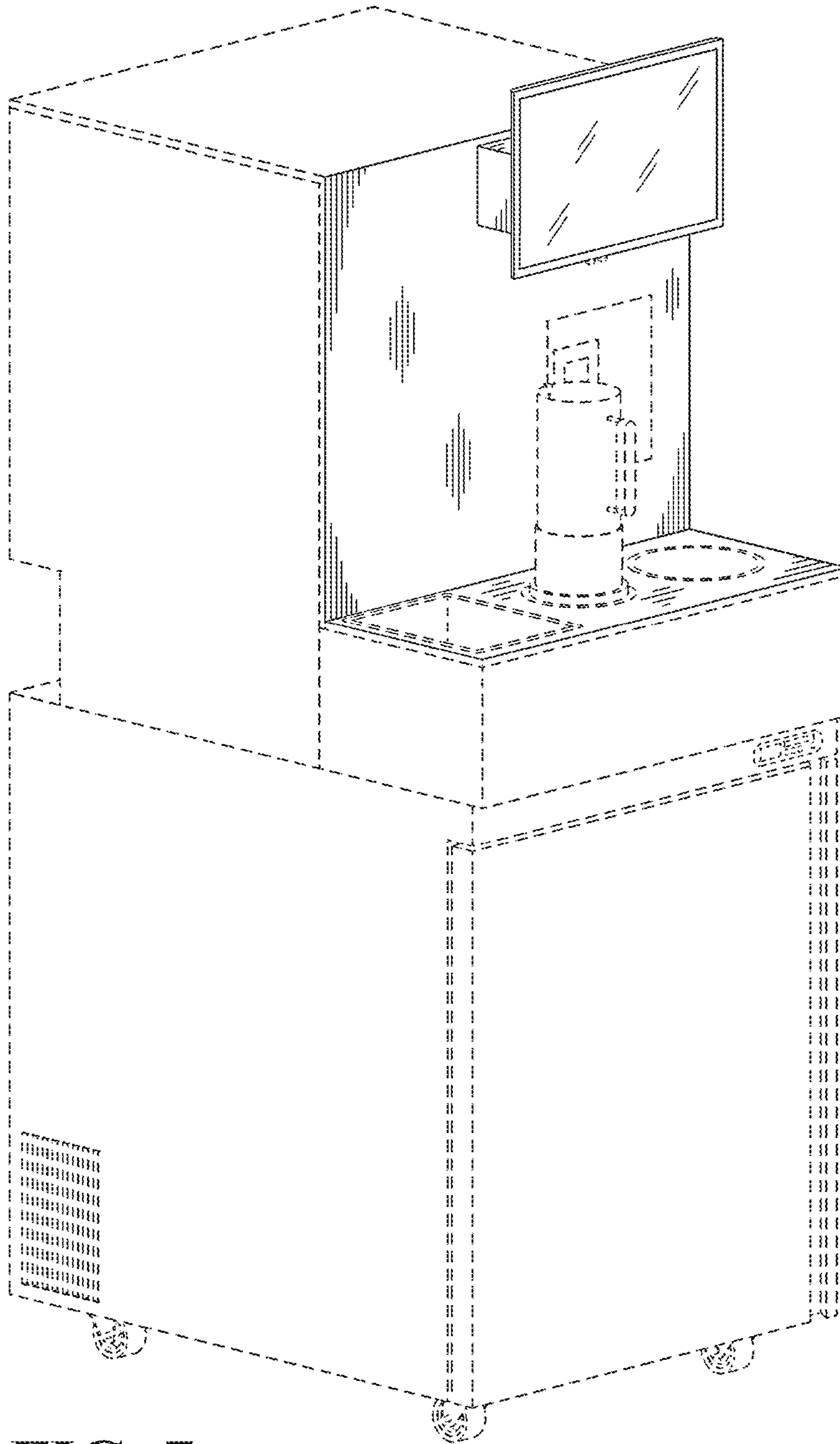


FIG. 7

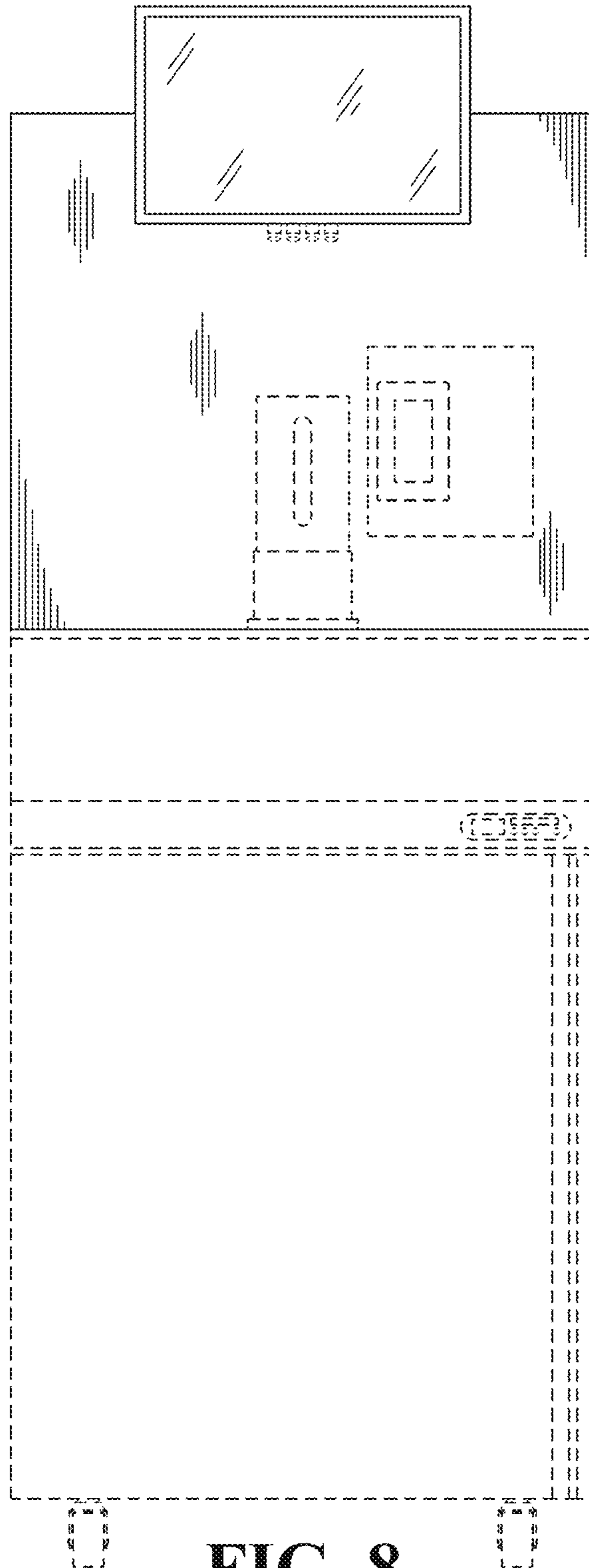


FIG. 8

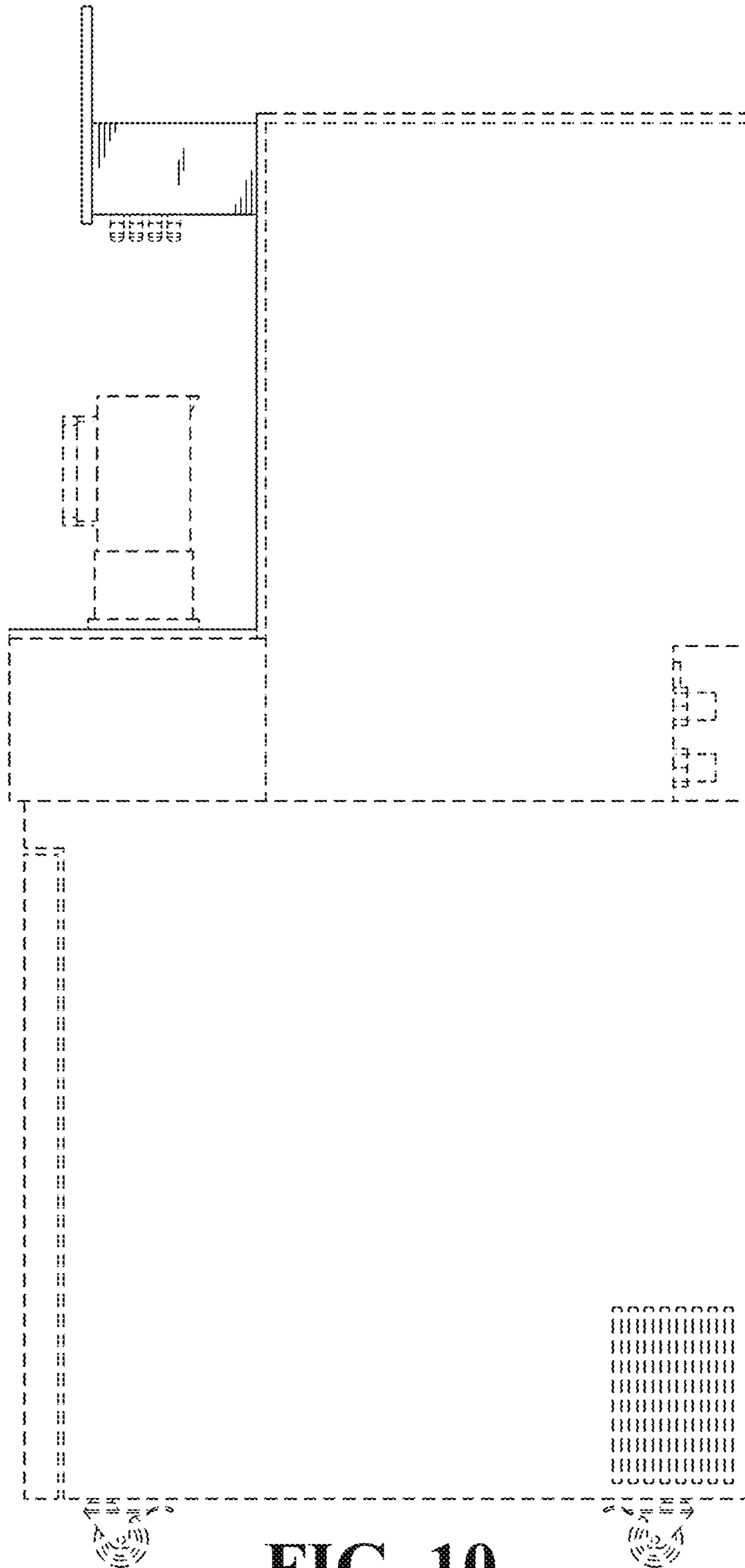


FIG. 10

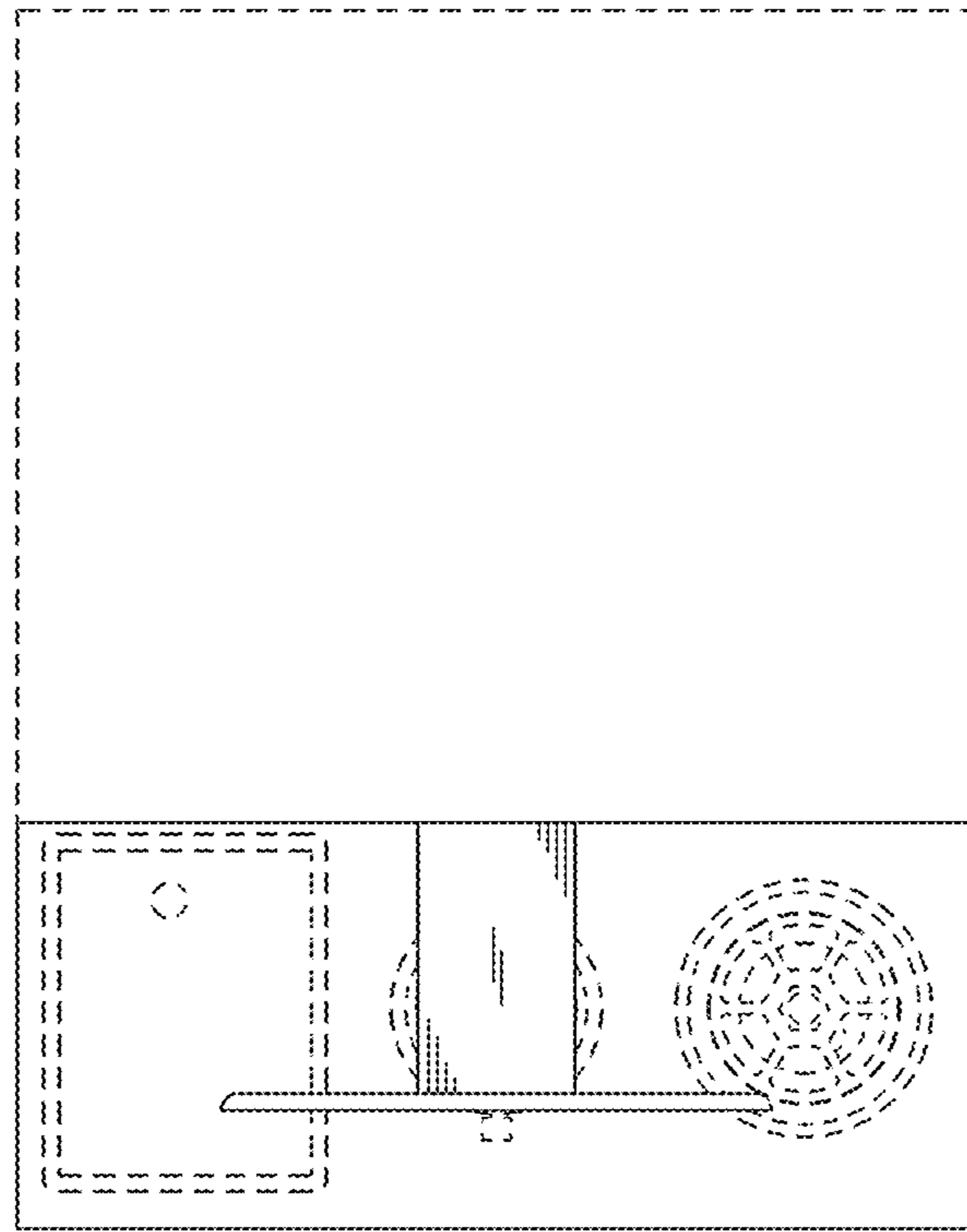


FIG. 11

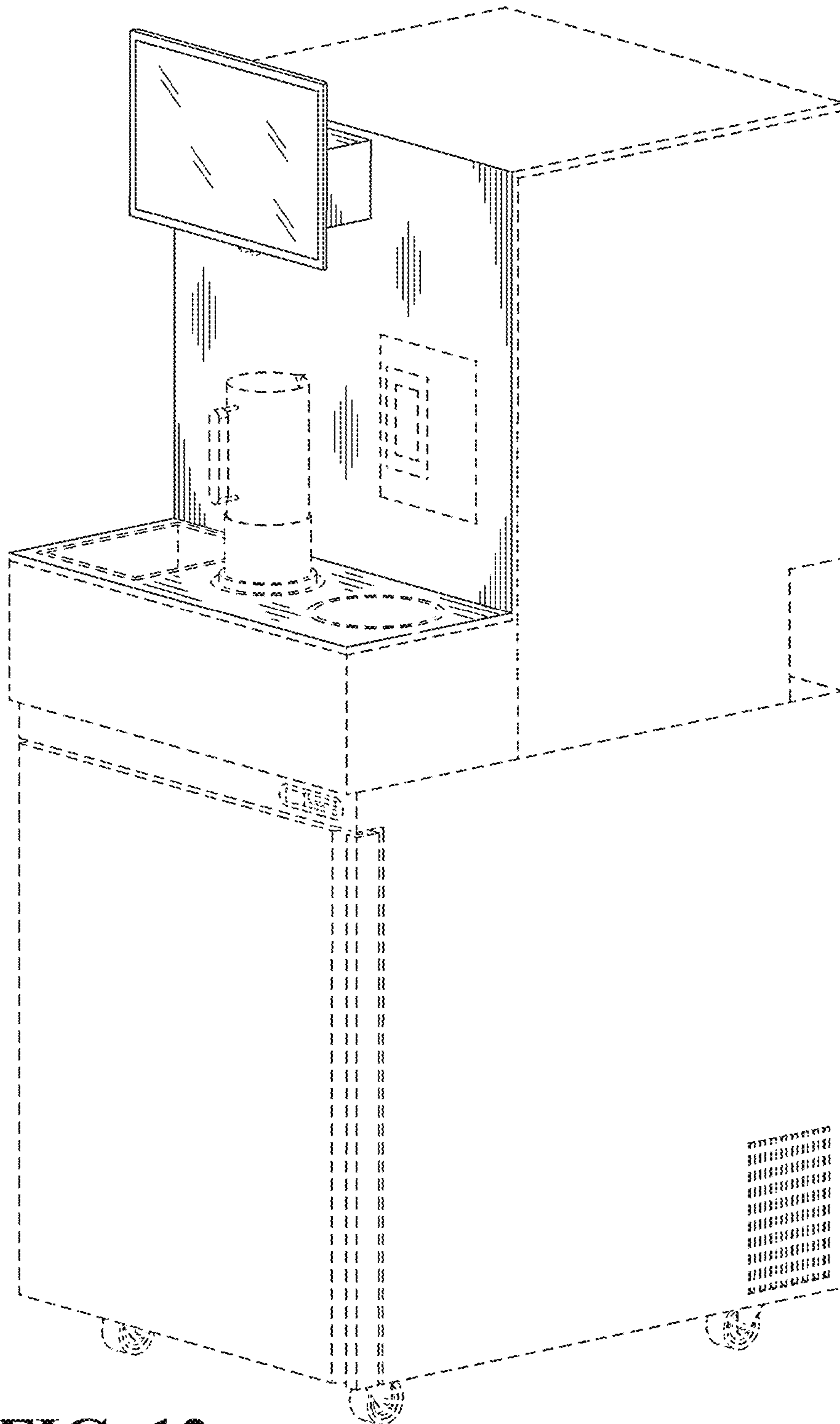


FIG. 12

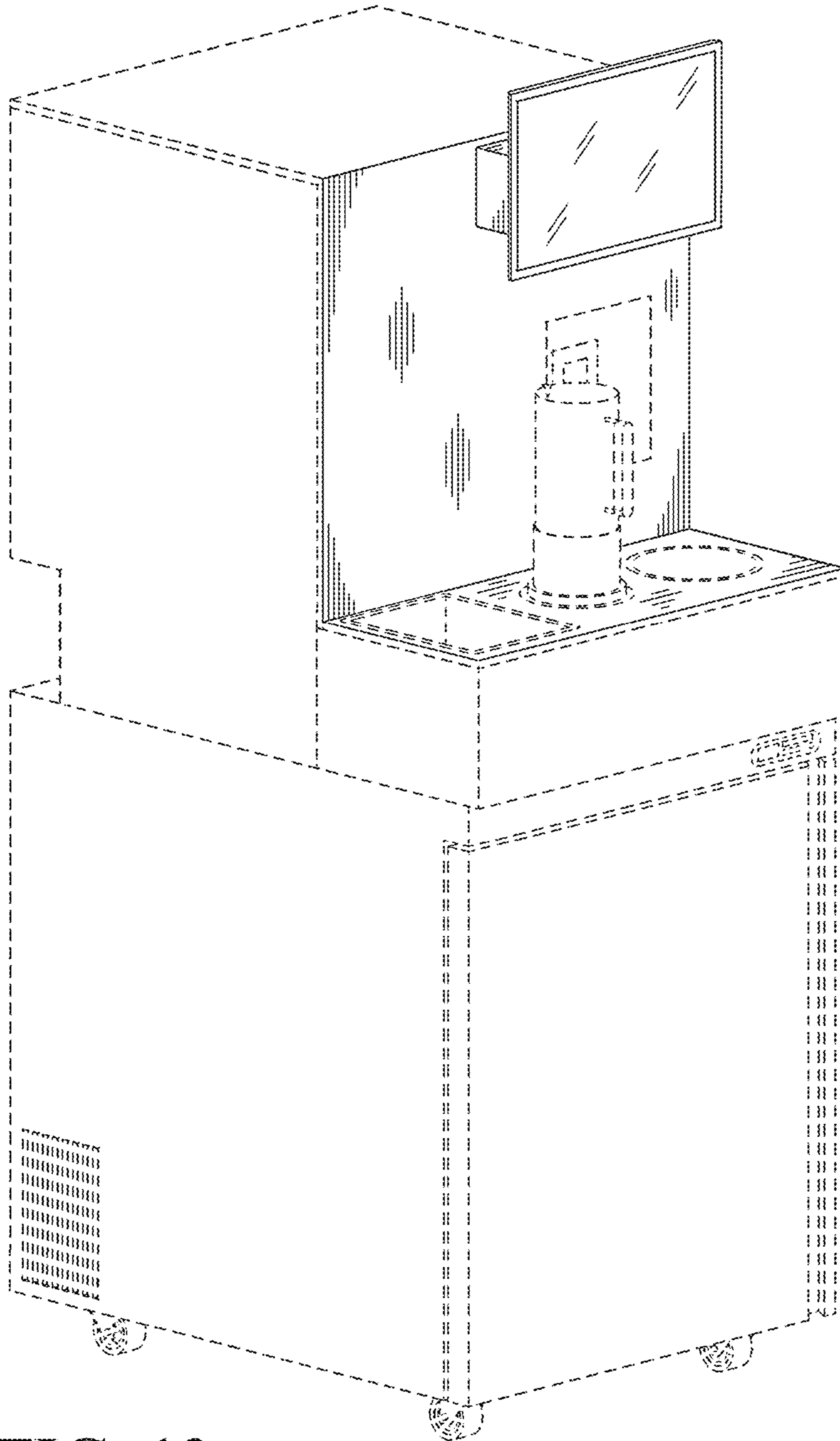


FIG. 13

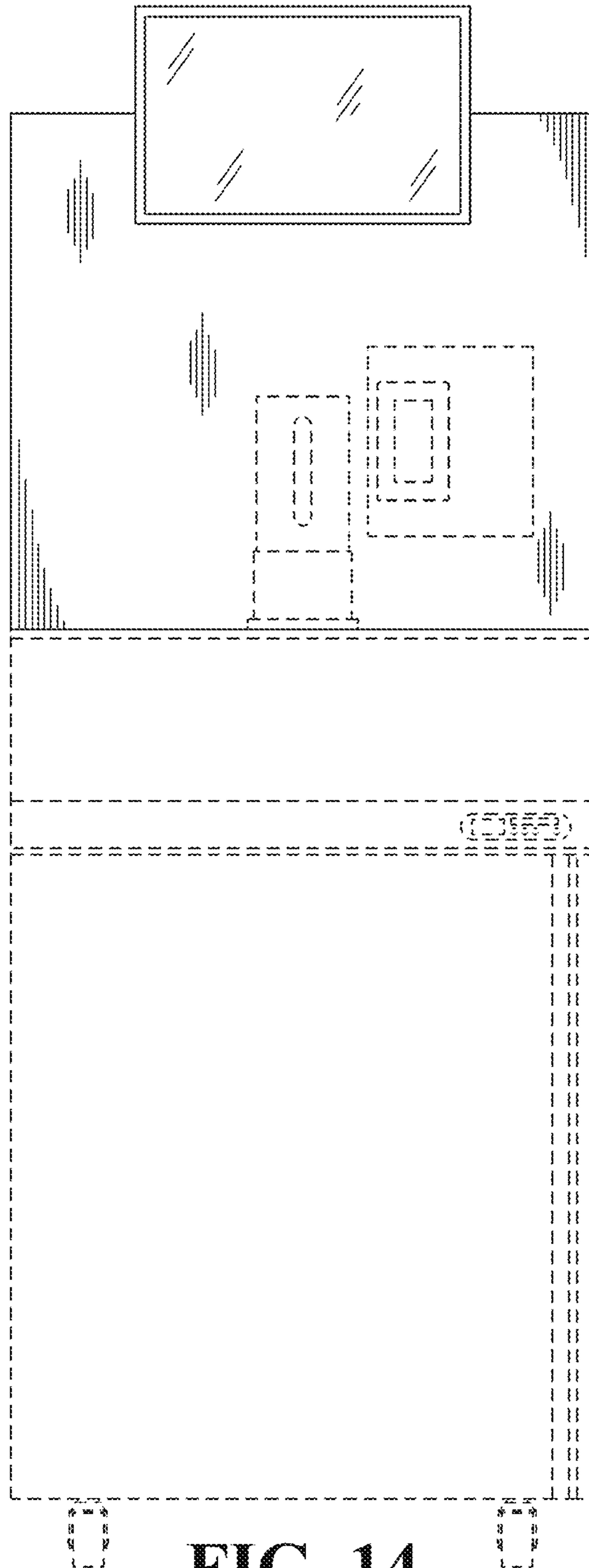


FIG. 14

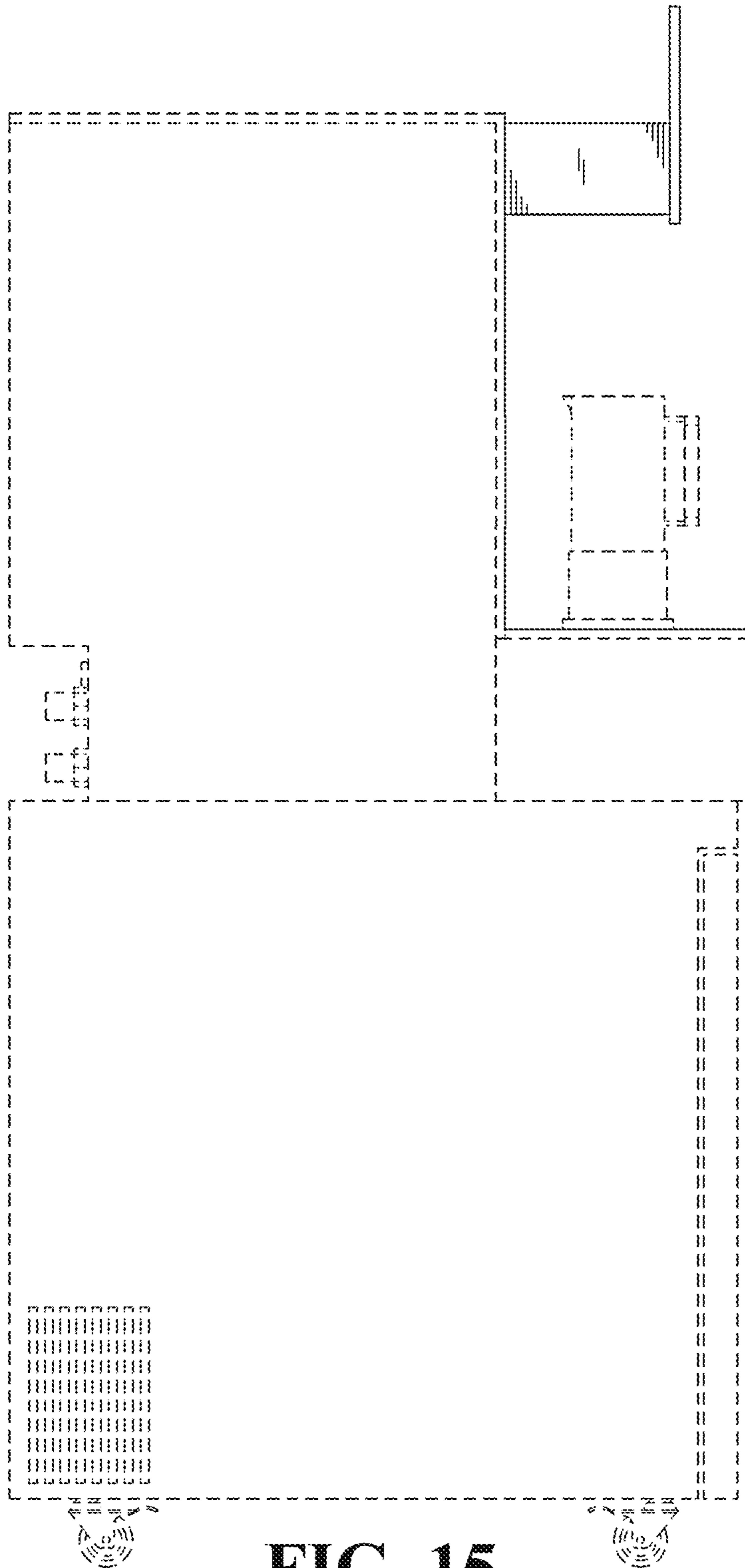


FIG. 15

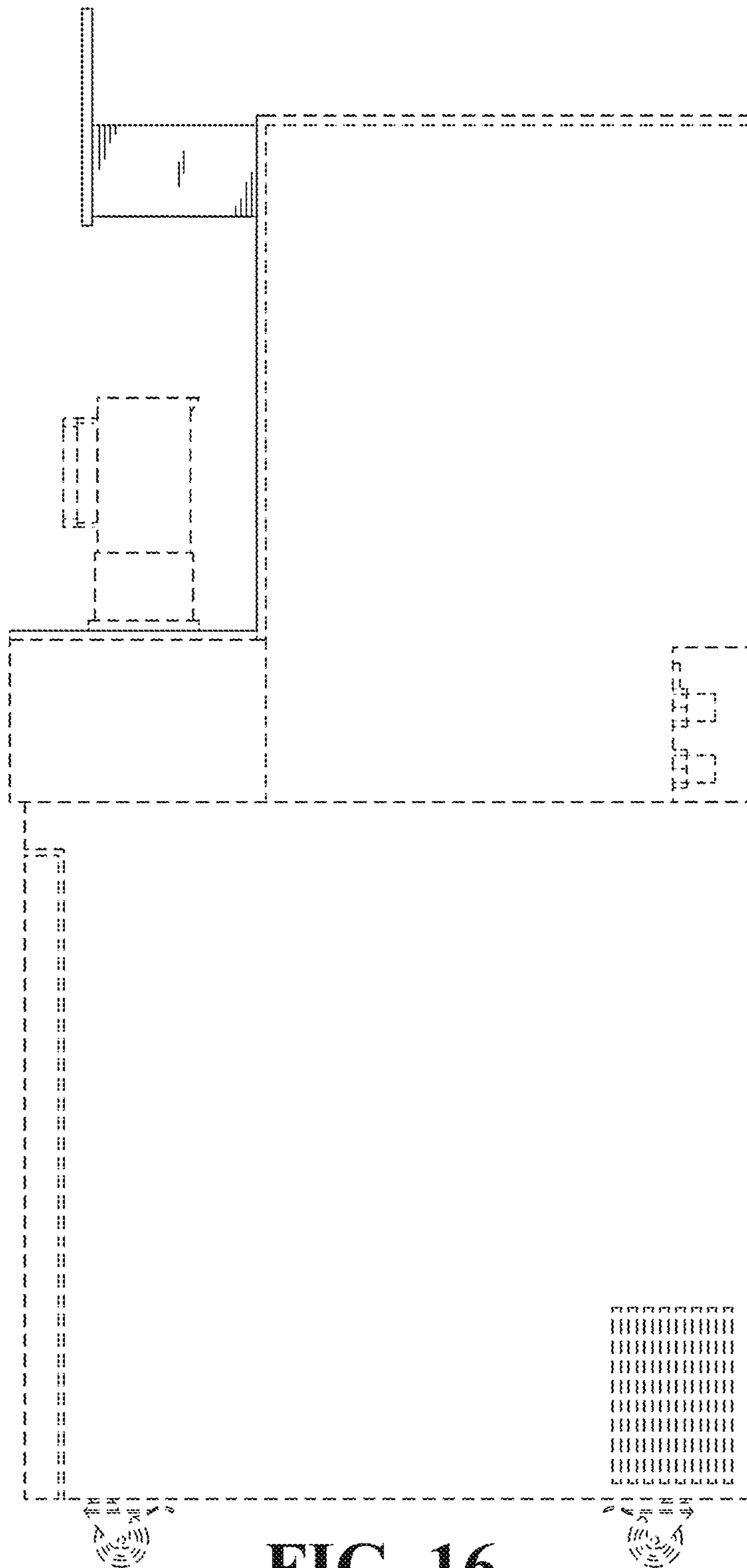


FIG. 16

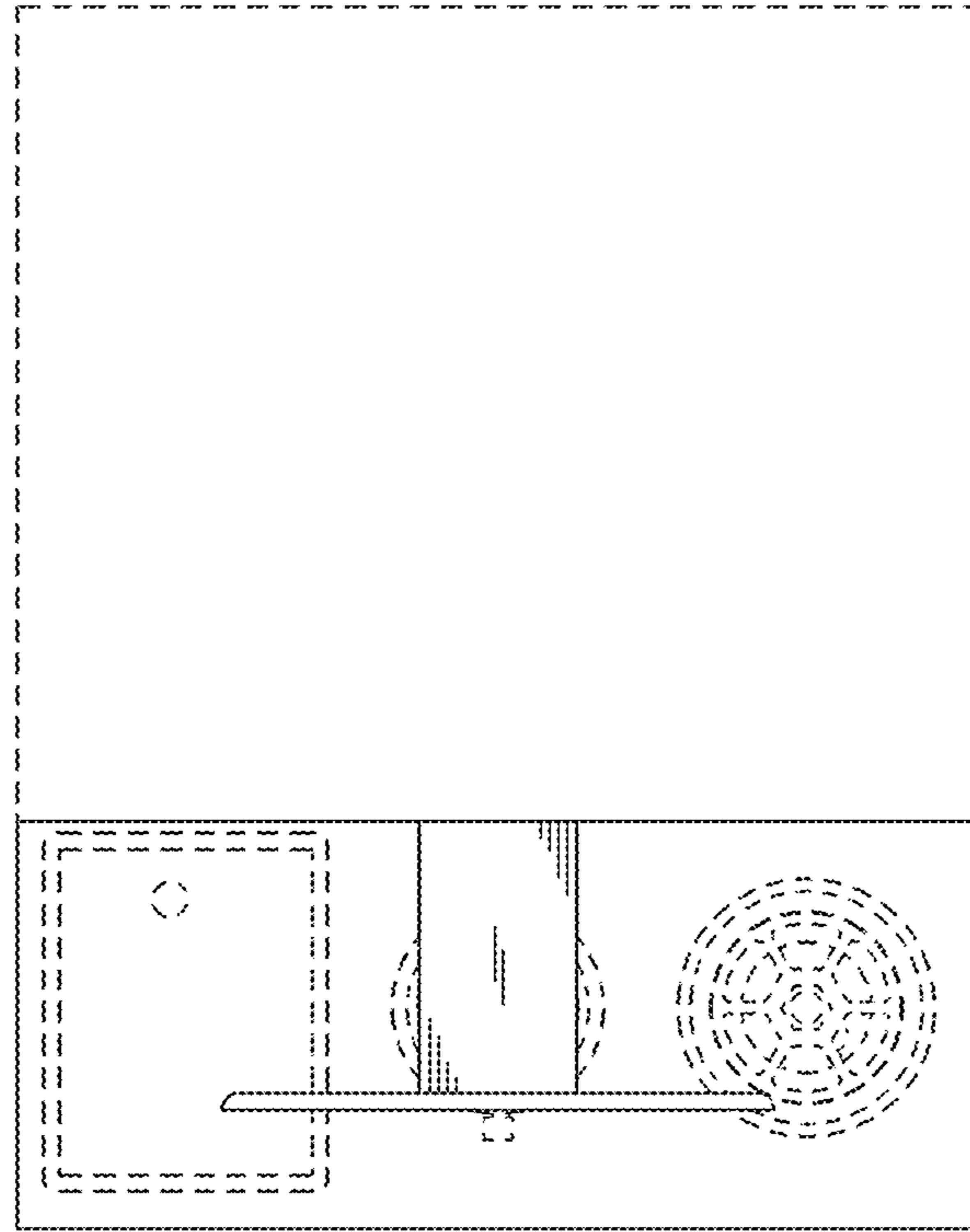


FIG. 17

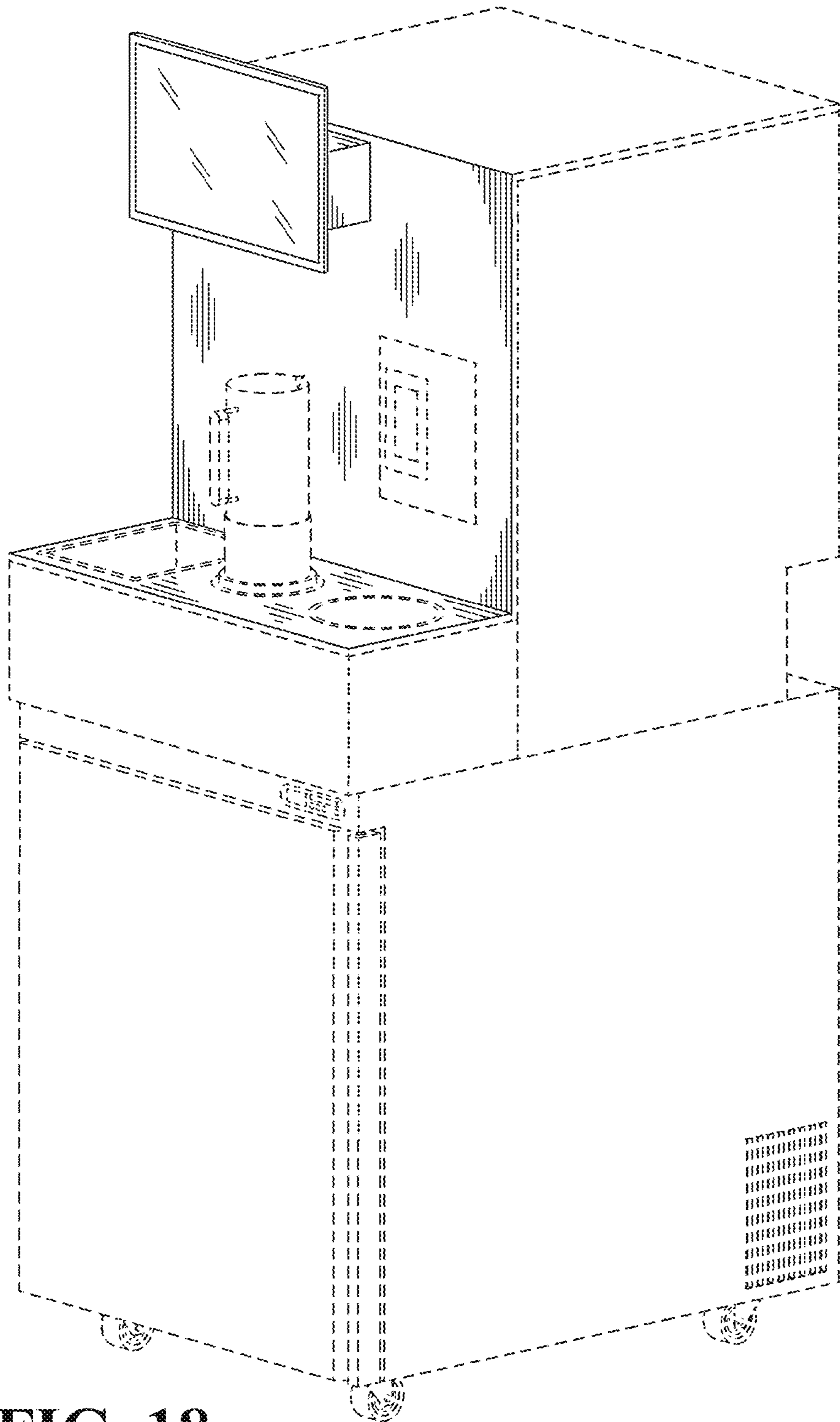


FIG. 18