



US00D944578S

(12) **United States Design Patent**  
**Palma**

(10) **Patent No.:** **US D944,578 S**  
(45) **Date of Patent:** **\*\* Mar. 1, 2022**

(54) **BACK AND SEAT FOR A CHAIR**

- (71) Applicant: **Alberto Palma**, Costa Mesa, CA (US)
- (72) Inventor: **Alberto Palma**, Costa Mesa, CA (US)
- (\*\*) Term: **15 Years**
- (21) Appl. No.: **29/740,051**
- (22) Filed: **Jun. 30, 2020**
- (51) **LOC (13) Cl.** ..... **06-01**
- (52) **U.S. Cl.**  
USPC ..... **D6/716**
- (58) **Field of Classification Search**  
USPC ..... D6/334, 364–367, 374–376, 379, 380,  
D6/716, 716.1, 716.7  
CPC ..... A47C 1/03255; A47C 3/18; A47C 3/20;  
A47C 3/26; A47C 5/04; A47C 5/06;  
A47C 5/08; A47C 7/18; A47C 7/24;  
A47C 7/36; A47C 7/40; A47C 7/46;  
A47C 7/54  
See application file for complete search history.

(56) **References Cited**

**U.S. PATENT DOCUMENTS**

D769,633 S *	10/2016	Mezzera	.....	D6/366
D769,635 S *	10/2016	Mezzera	.....	D6/366
D769,636 S *	10/2016	Mezzera	.....	D6/366
D770,820 S *	11/2016	Mezzera	.....	D6/716
D809,812 S *	2/2018	Mao	.....	D6/365
D879,524 S *	3/2020	Huang	.....	D6/716
D902,615 S *	11/2020	Palma	.....	D6/366
D911,055 S *	2/2021	Wang	.....	D6/366
2014/0062153 A1 *	3/2014	Grove	.....	A47C 3/0252 297/284.4
2015/0164232 A1 *	6/2015	Mezzera	.....	A47C 7/46 297/284.4
2018/0035805 A1 *	2/2018	Mezzera	.....	A47C 4/021
2019/0143856 A1 *	5/2019	O'Hara	.....	B60N 2/646 601/148

**OTHER PUBLICATIONS**

True Innovations. <https://www.trueinnovations.com/product/office/la-z-boyr-winston-big-and-tall-executive-chair.html>. “LA-Z-BOY® Winston Big and Tall Executive Chair”. Jul. 2016 (Year: 2016).\*

True Innovations. <https://www.trueinnovations.com/product/office/sertar-manager-chair.html>. “Serta® Manager Chair”. Date Unknown: Viewed Jul. 2021 (Year: 2021).\*

Wayfair. <https://www.wayfair.com/furniture/pdp/lorell-wellness-by-design-executive-chair-lro1987.html>. “Wellness by Design Executive Chair”. Date Unknown: Viewed Jul. 2021 (Year: 2021).\*

\* cited by examiner

*Primary Examiner* — R. Johnson  
(74) *Attorney, Agent, or Firm* — Morland C. Fischer

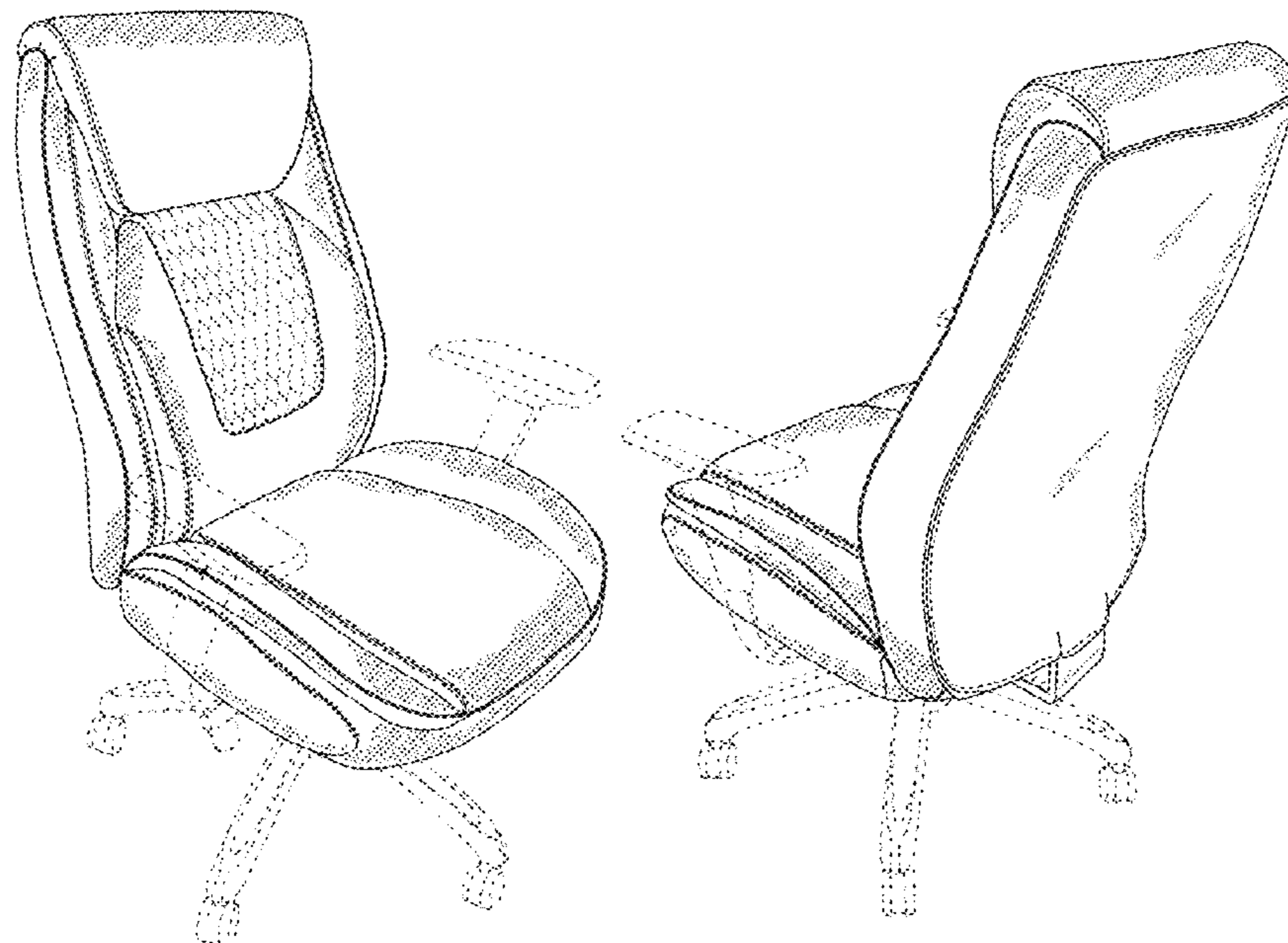
(57) **CLAIM**

The ornamental design for a back and seat for a chair, as shown and described.

**DESCRIPTION**

FIG. 1 is a top, right, front perspective view of a back and seat for a chair showing my new design;  
FIG. 2 is a top, left, rear perspective view thereof;  
FIG. 3 is a front elevational view thereof;  
FIG. 4 is a right side elevational view thereof;  
FIG. 5 is a rear elevational view thereof;  
FIG. 6 is a left side elevational view thereof;  
FIG. 7 is a top plan view thereof; and,  
FIG. 8 is a bottom plan view thereof.  
The long broken lines in the figures represent environment that forms no part of the claimed design. The short broken lines in the figures represent stitching.

**1 Claim, 7 Drawing Sheets**



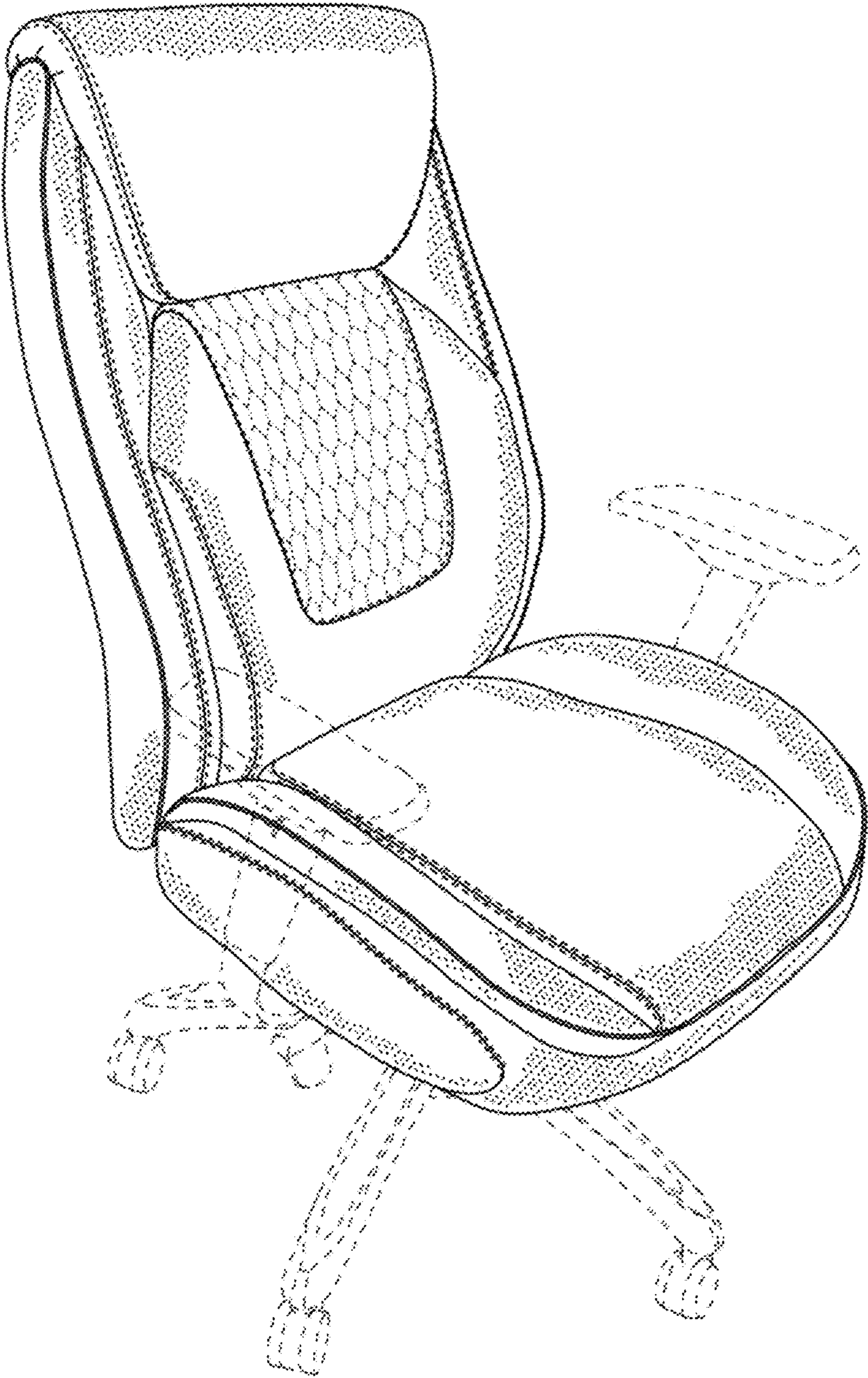


FIG. 1

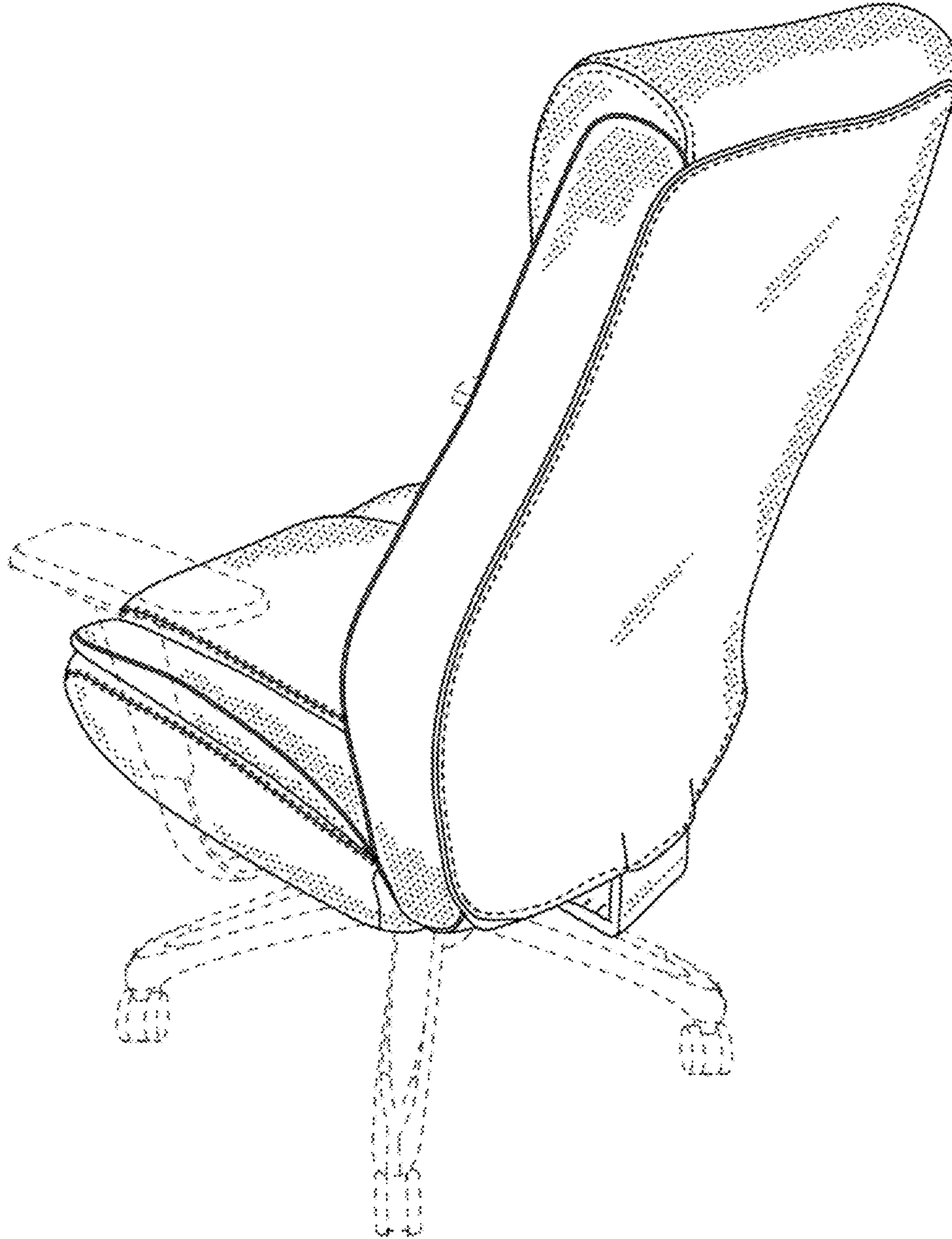


FIG. 2

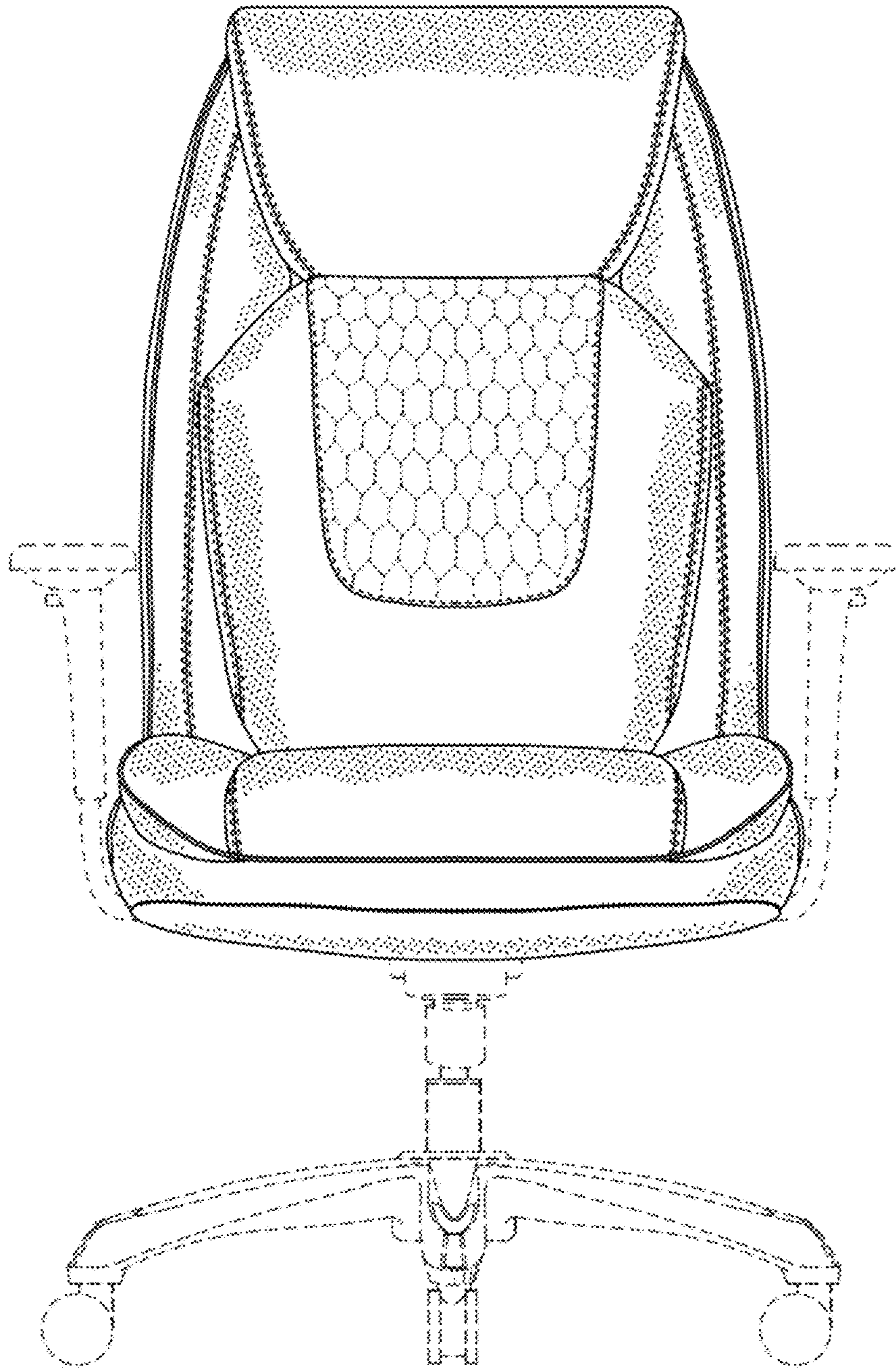


FIG. 3

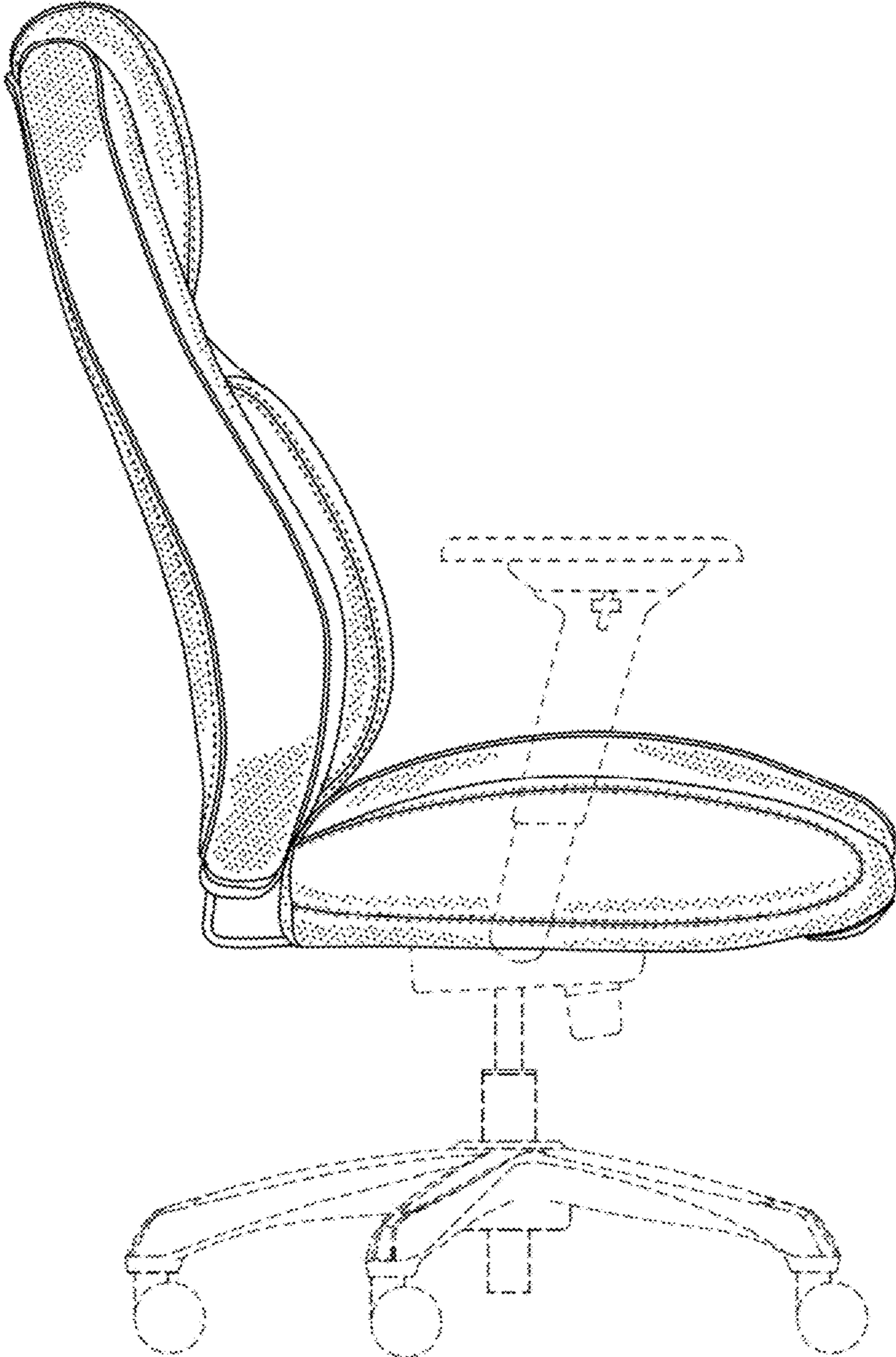


FIG. 4

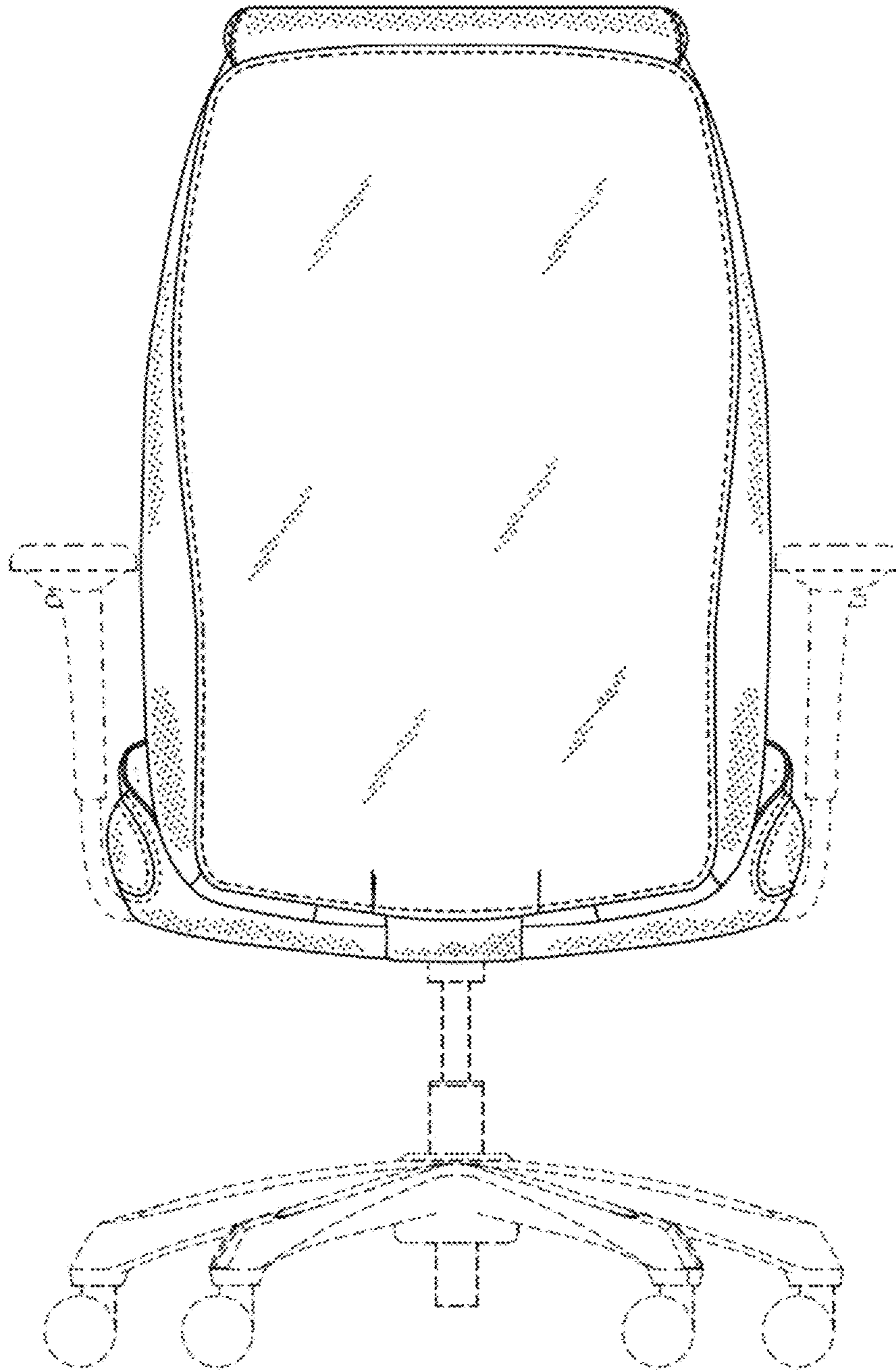


FIG. 5

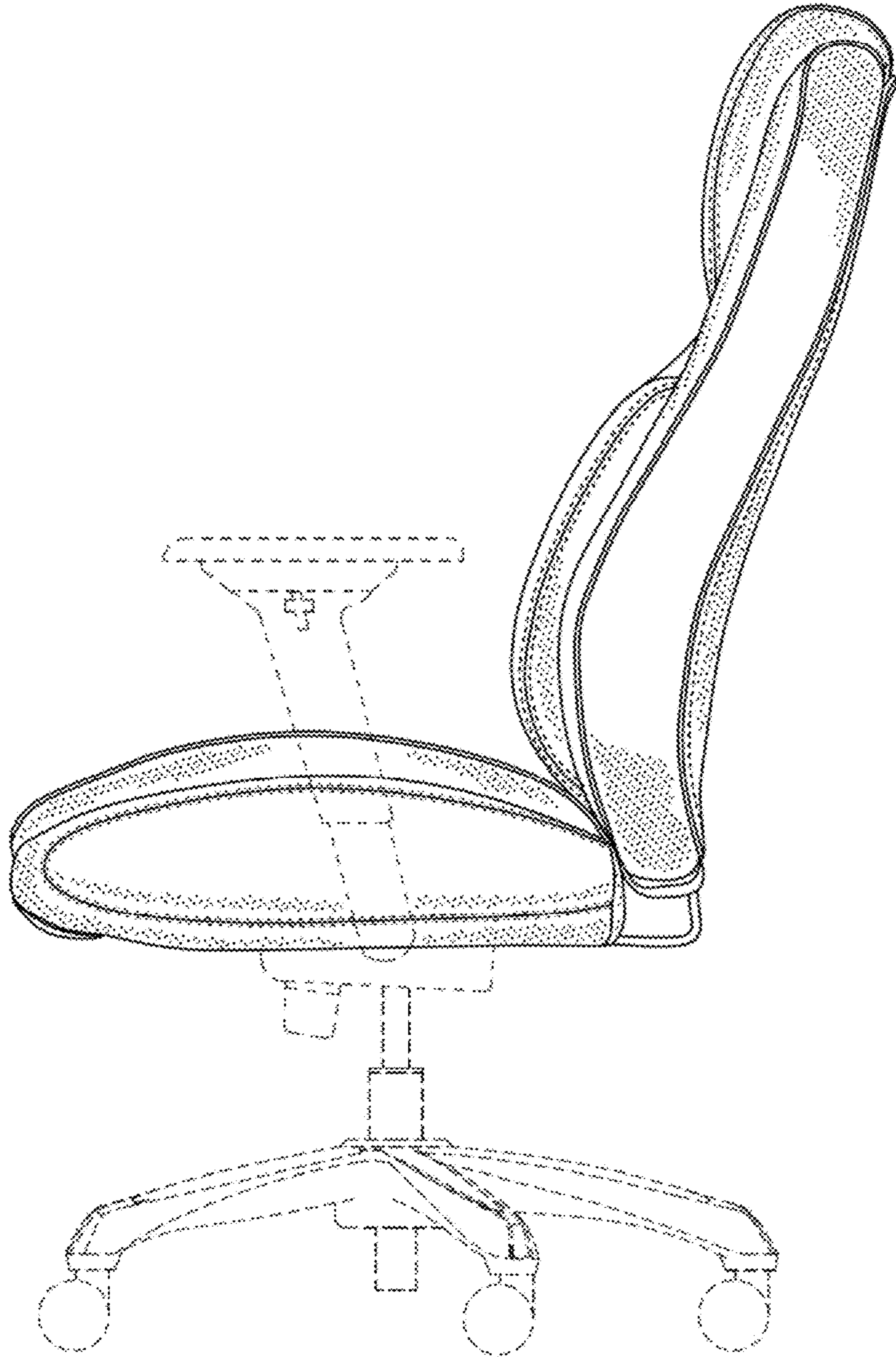


FIG. 6

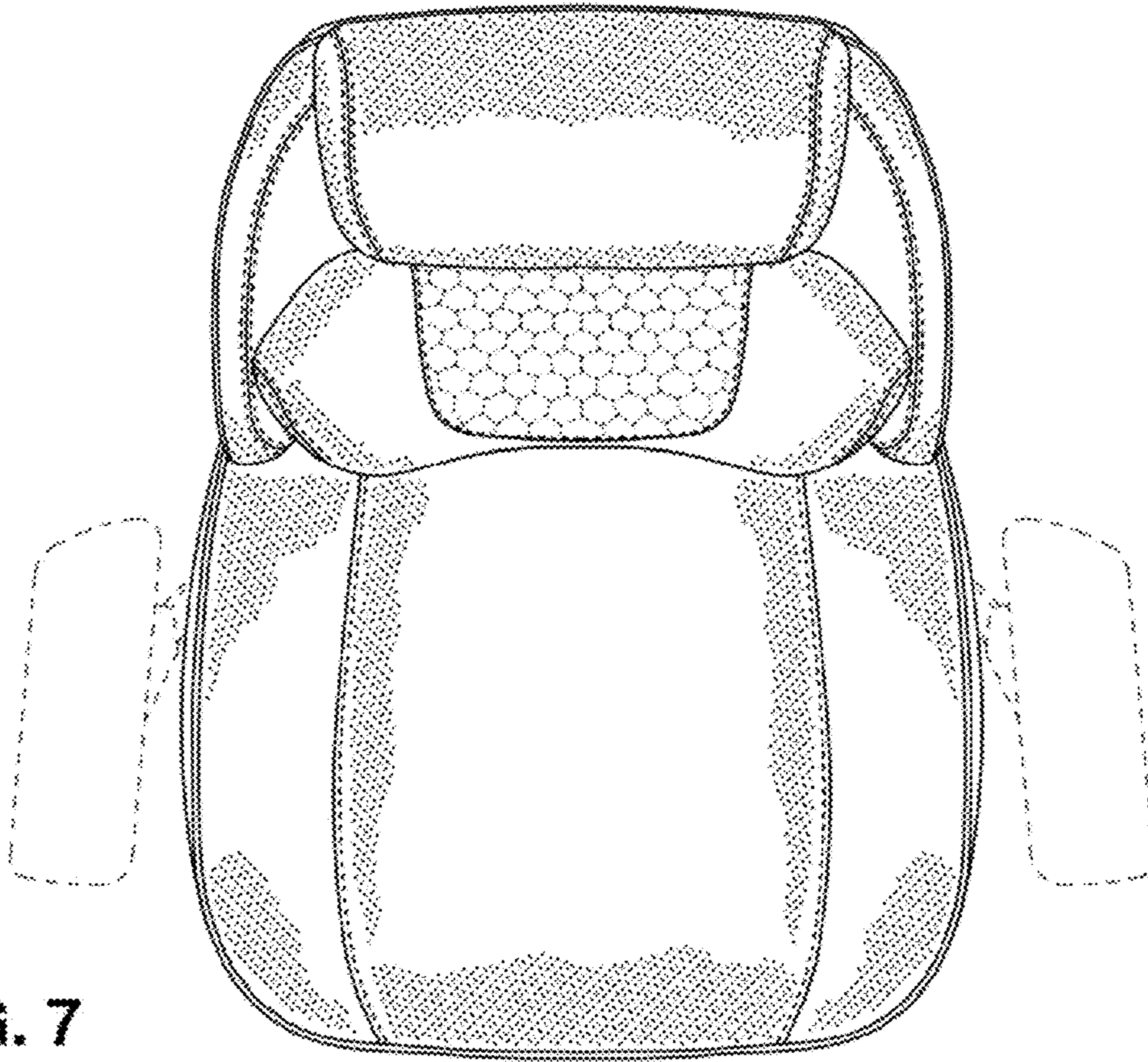


FIG. 7

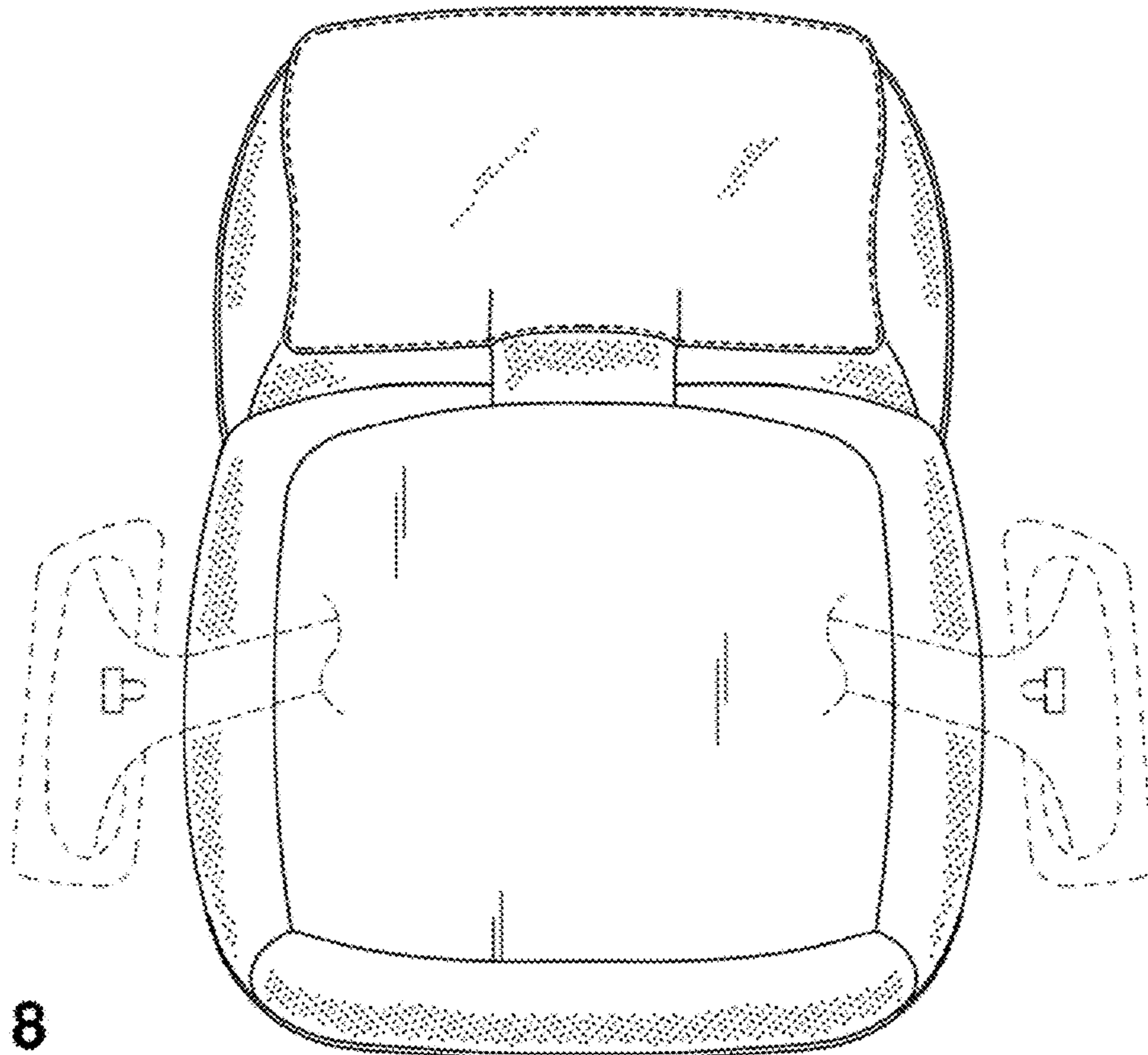


FIG. 8