



US00D944576S

(12) **United States Design Patent**  
**Chowdhury**

(10) **Patent No.:** **US D944,576 S**

(45) **Date of Patent:** **\*\* Mar. 1, 2022**

(54) **REMOTE CONTROL HOLDER**

(71) Applicant: **Fuad Chowdhury**, London (GB)

(72) Inventor: **Fuad Chowdhury**, London (GB)

(\*\*) Term: **15 Years**

(21) Appl. No.: **29/714,506**

(22) Filed: **Nov. 23, 2019**

(51) **LOC (13) Cl.** ..... **06-06**

(52) **U.S. Cl.**  
USPC ..... **D6/683.1**

(58) **Field of Classification Search**  
USPC ..... D8/373; D14/217-218; D6/512, 567,  
D6/569, 683, 683.1, 691, 691.3  
CPC . B65D 1/22; B65D 1/24; B65D 85/00; B65D  
85/20; A47F 7/00; A47F 7/0021; A47F  
7/0028; H01H 9/025; H04N 5/64  
See application file for complete search history.

(56) **References Cited**

**U.S. PATENT DOCUMENTS**

D117,278 S \* 10/1939 Kayton ..... D6/683.1  
D156,956 S \* 1/1950 Hassler ..... D6/683  
D171,441 S \* 2/1954 Cornick ..... D6/683.1

D324,144 S \* 2/1992 Watrous ..... D10/2  
D341,274 S \* 11/1993 van den Nieuwelaar ..... D6/666  
D478,226 S \* 8/2003 Peyker ..... D6/683.1  
D479,660 S \* 9/2003 Vinson ..... D6/300  
D526,819 S \* 8/2006 Lee ..... D6/683.1  
D543,730 S \* 6/2007 Bonaventura ..... D19/90  
D645,903 S \* 9/2011 Tsai ..... D19/90  
D687,892 S \* 8/2013 Tsai ..... D19/90  
D703,470 S \* 4/2014 McDonough ..... D6/676.3  
D877,511 S \* 3/2020 Chiang ..... D3/304

\* cited by examiner

*Primary Examiner* — Kelley A Donnelly

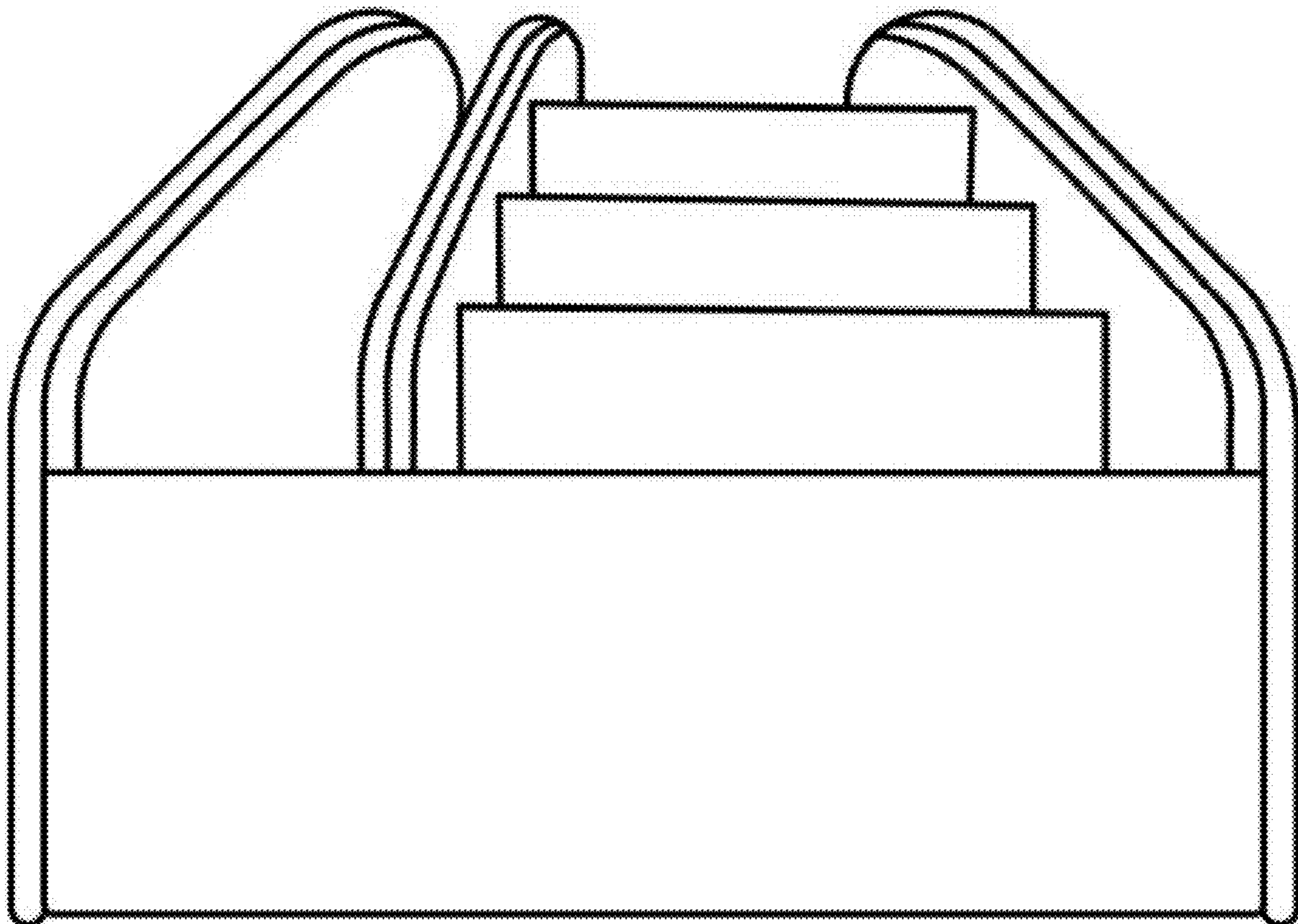
(57) **CLAIM**

The ornamental design for remote control holder, as shown and described.

**DESCRIPTION**

FIG. 1 is a front view of the remote control holder, showing my new design;  
FIG. 2 is a back view thereof;  
FIG. 3 is a left side view thereof;  
FIG. 4 is a right side view thereof;  
FIG. 5 is a top view thereof;  
FIG. 6 is a bottom view thereof; and,  
FIG. 7 is an isometric view thereof.

**1 Claim, 7 Drawing Sheets**



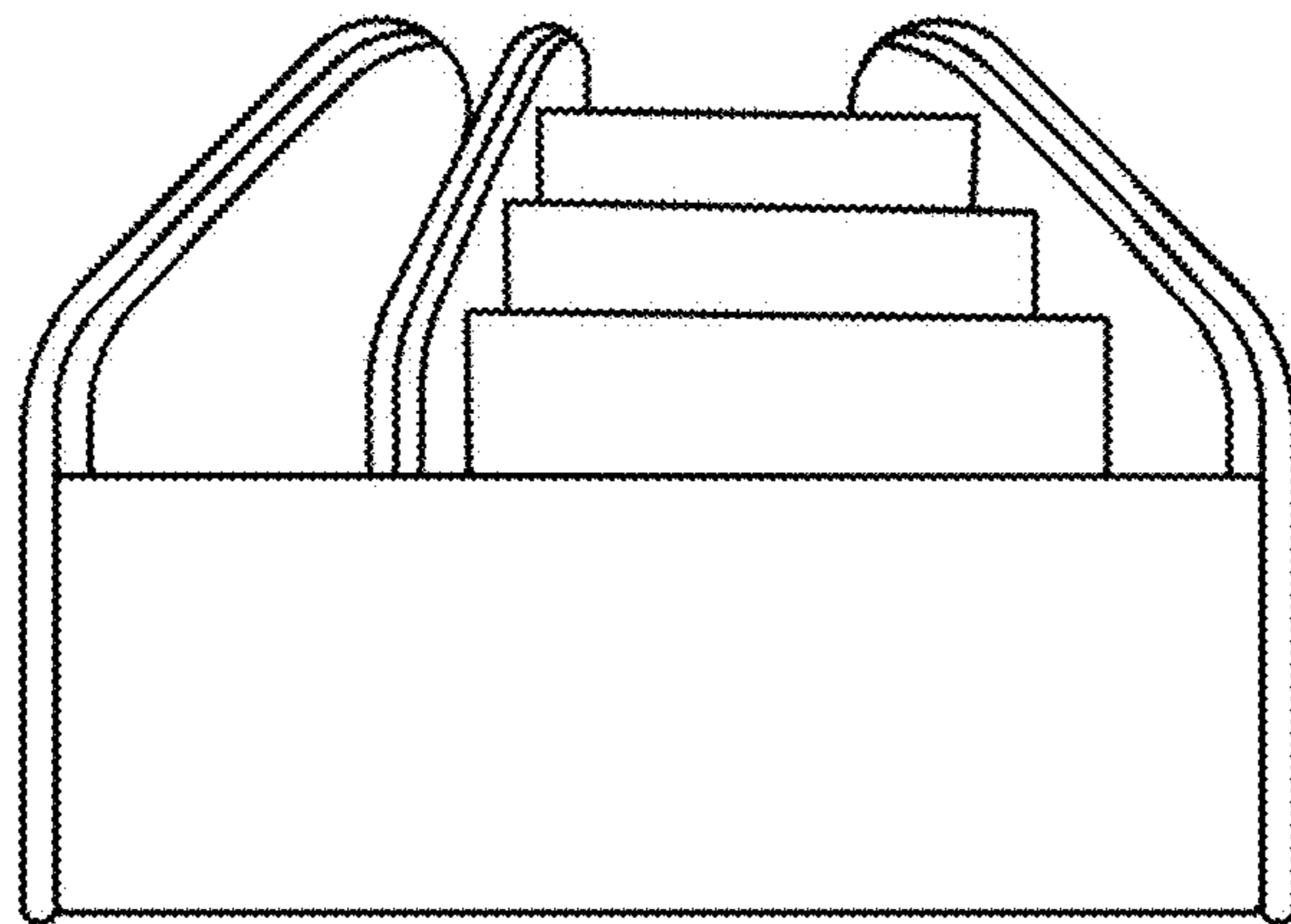


FIG. 1

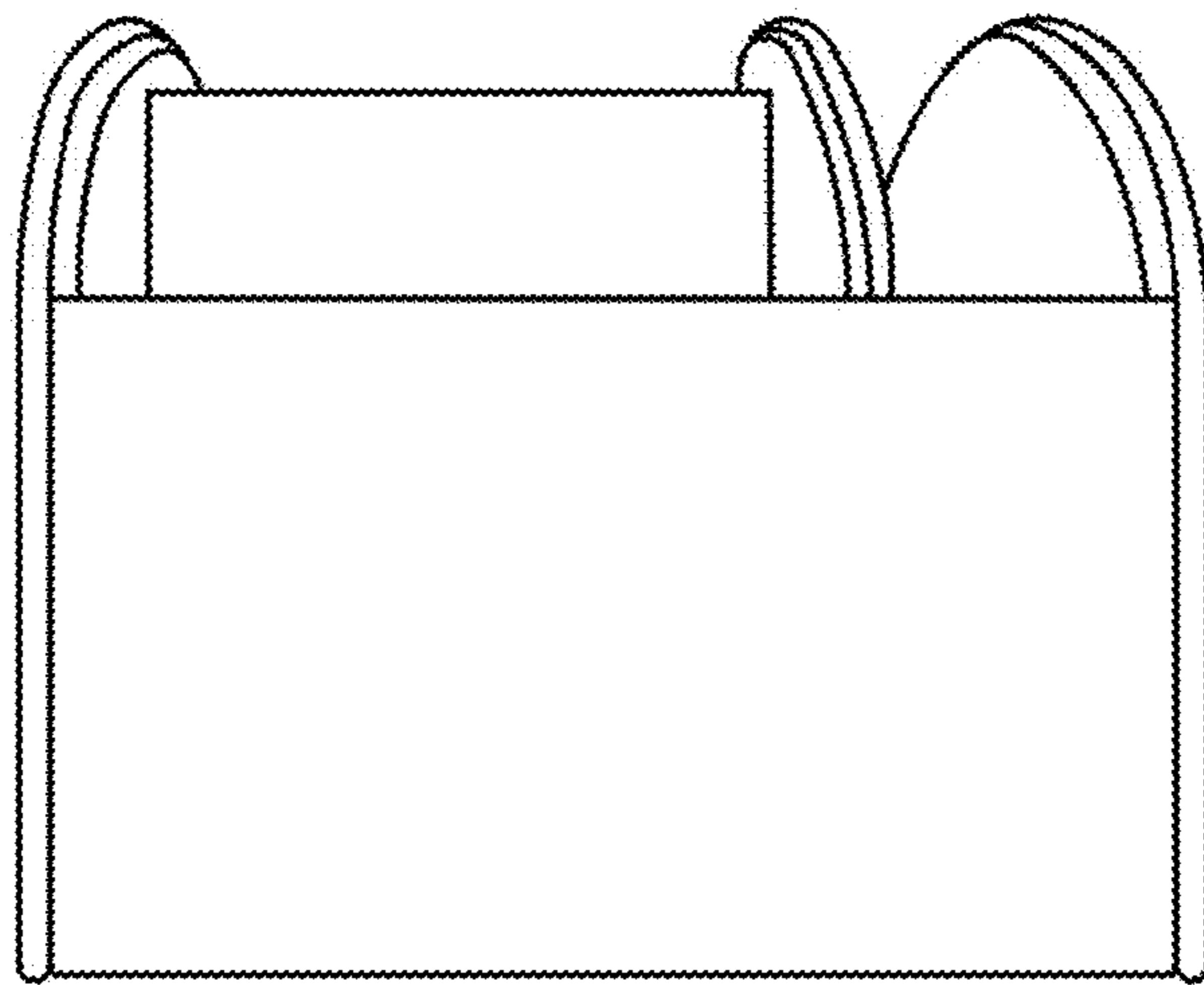


FIG. 2

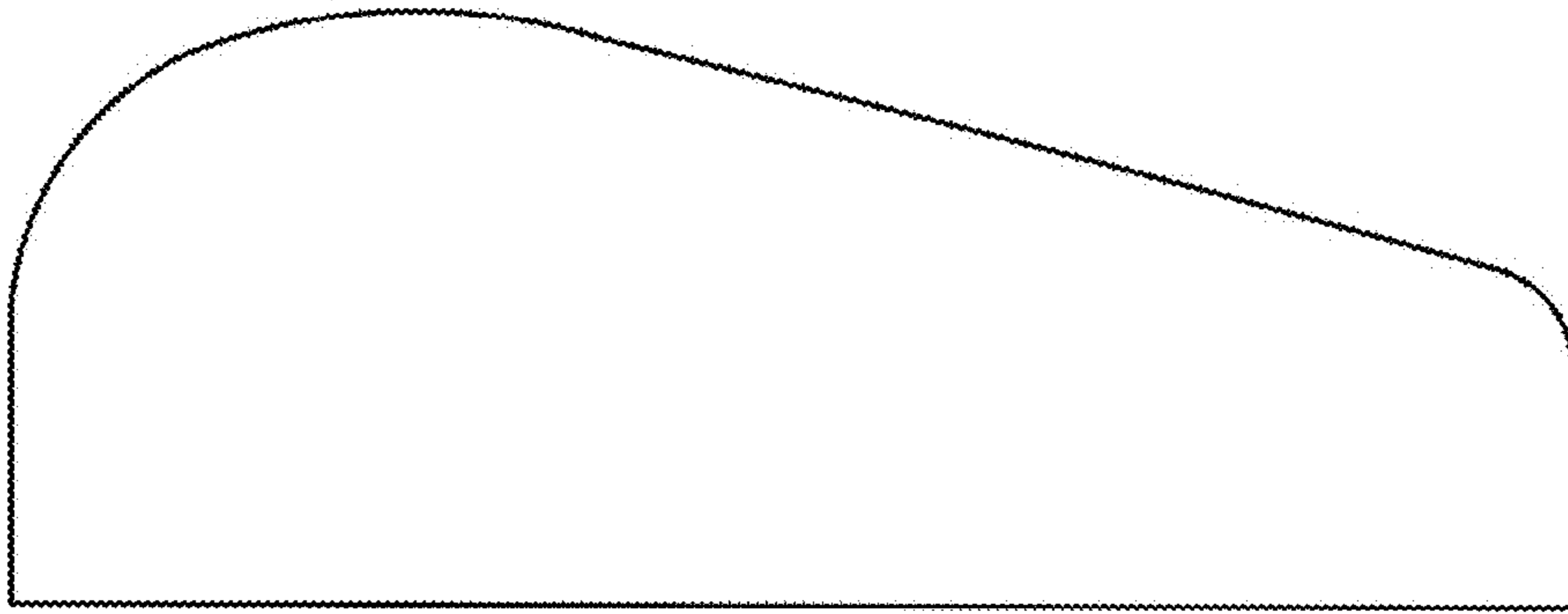


FIG. 3

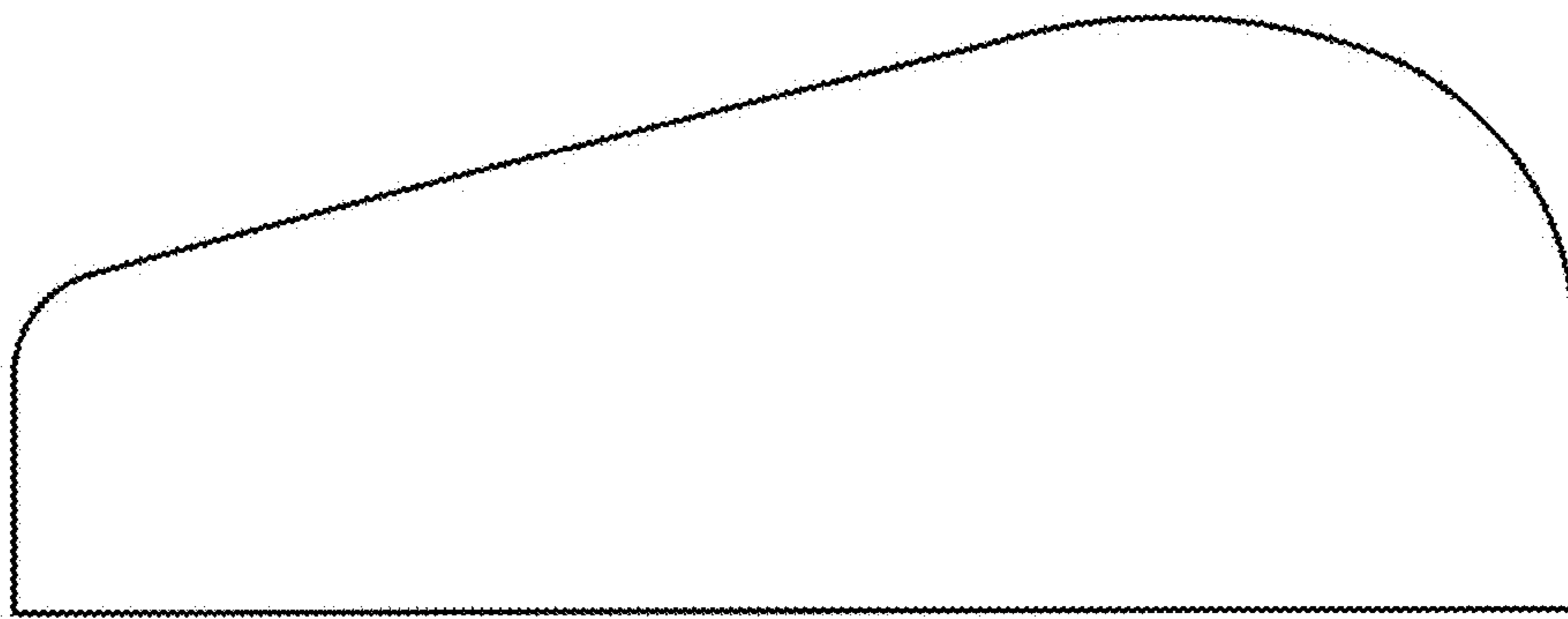


FIG. 4

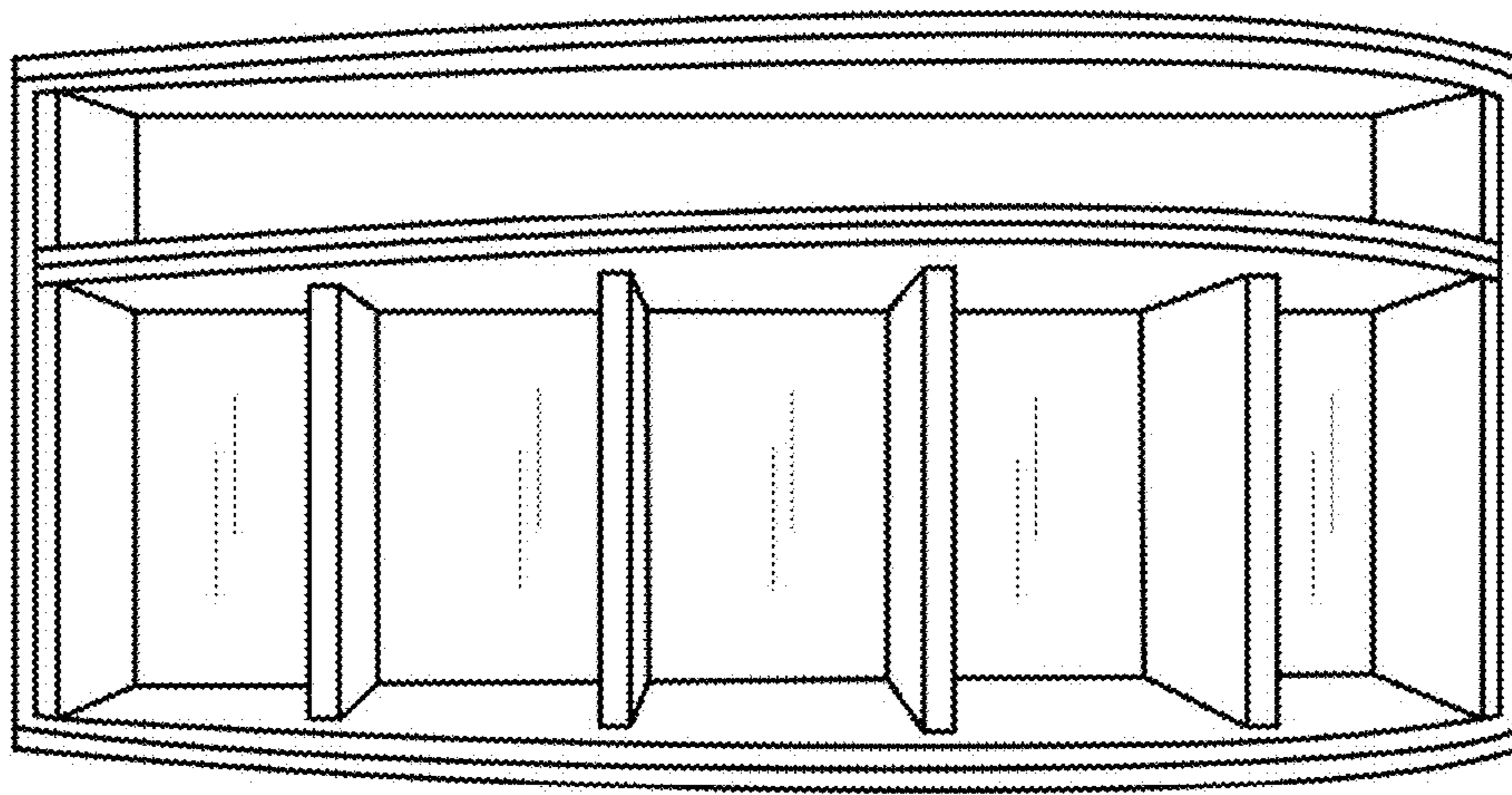


FIG. 5

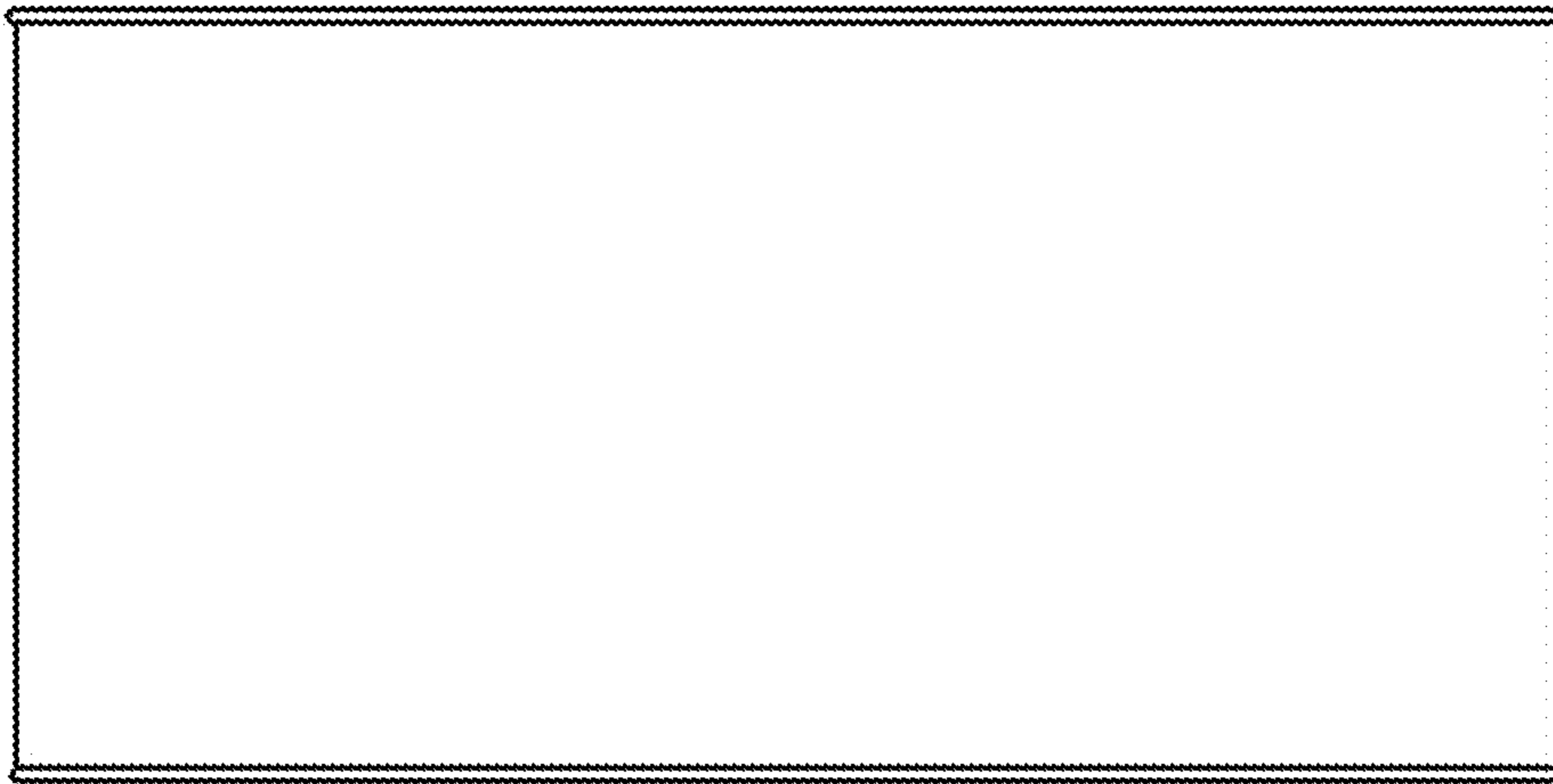


FIG. 6

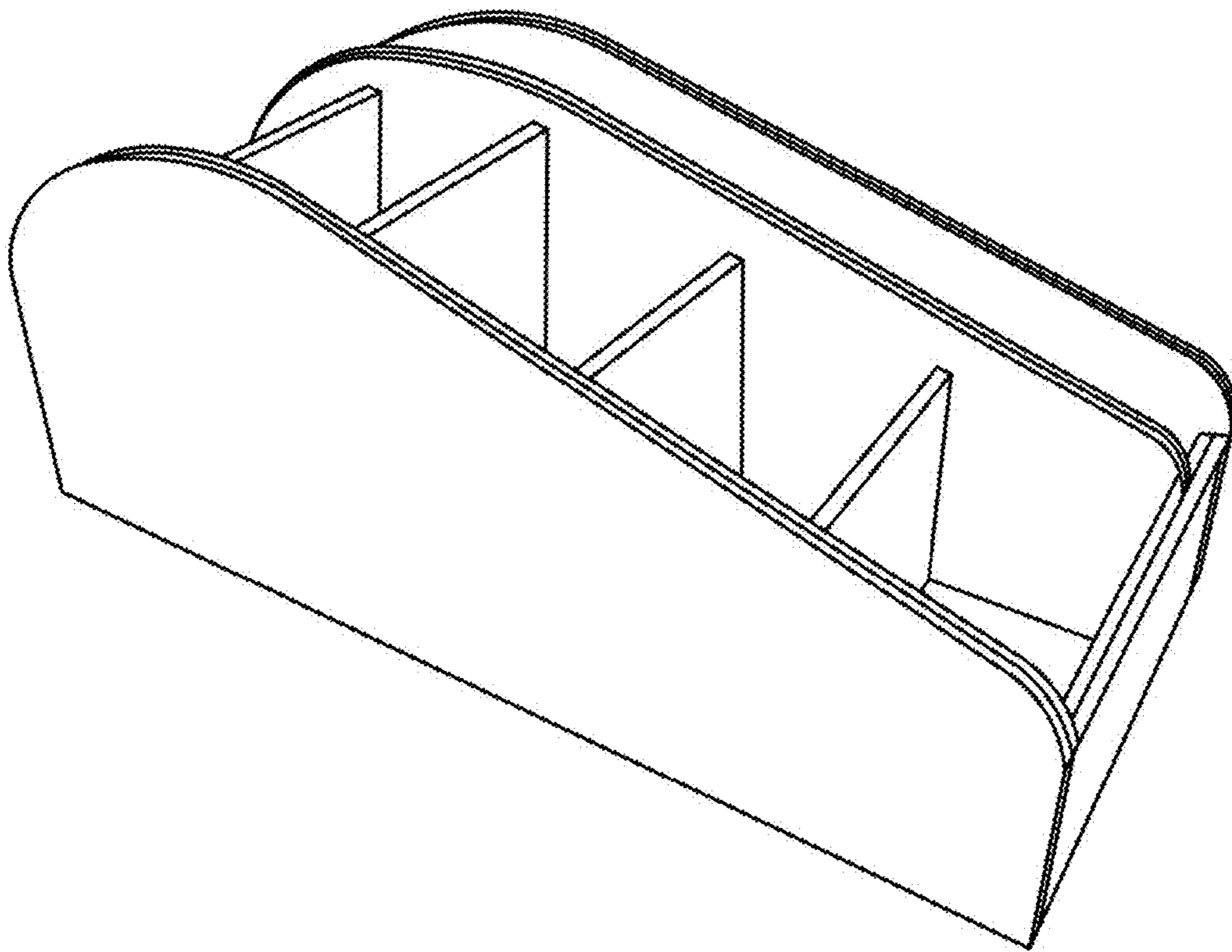


FIG. 7