



US00D944575S

(12) **United States Design Patent**
Ardington

(10) **Patent No.:** **US D944,575 S**
(45) **Date of Patent:** **** Mar. 1, 2022**

(54) **JEWELRY STORAGE AND DISPLAY CASE**

(71) Applicants: **Abington Lane LLC**, New York, NY
(US); **East West Basics HK, LTD.**,
Taiwai (HK)

(72) Inventor: **John Winsted Ardington**, Aiken, SC
(US)

(73) Assignees: **Abington Lane LLC**, New York, NY
(US); **East West Basics HK, LTD.**,
Taiwai (HK)

(**) Term: **15 Years**

(21) Appl. No.: **29/762,167**

(22) Filed: **Dec. 15, 2020**

(51) **LOC (13) Cl.** **06-06**

(52) **U.S. Cl.**
USPC **D6/682.6**

(58) **Field of Classification Search**
USPC D3/273-276, 284, 294, 201, 232-233,
D3/242, 901, 903; D6/663, 664, 682,
D6/682.1, 682.2, 682.3, 682.4, 682.5,
D6/682.6
CPC ... A45C 5/005; A45C 2005/037; A45C 11/16;
A45C 15/08
See application file for complete search history.

(56) **References Cited**

U.S. PATENT DOCUMENTS

- D162,424 S * 3/1951 Kulp D3/295
- D176,738 S * 1/1956 St. Thomas D3/295
- D317,380 S * 6/1991 Snyder D3/295
- D319,749 S * 9/1991 McPherson D6/571
- D368,583 S * 4/1996 Sharer D3/294
- D393,542 S * 4/1998 Thompson D3/294
- 5,931,319 A * 8/1999 Murphy A47F 7/02
211/85.2
- D467,428 S * 12/2002 Wolf D3/276

- 6,685,023 B2 * 2/2004 Bleggi A45C 11/16
206/493
- D601,798 S * 10/2009 Hsu D3/295
- 7,651,178 B2 1/2010 Greiner
- D636,599 S * 4/2011 Hsu D3/297
- D644,042 S * 8/2011 Tower D6/682.6
- 8,029,076 B2 10/2011 Greiner
- D740,019 S * 10/2015 Hynek D3/205

(Continued)

FOREIGN PATENT DOCUMENTS

- CN 2807948 Y 8/2006
- CN 305993517 S 8/2020

Primary Examiner — Kelley A Donnelly

(74) *Attorney, Agent, or Firm* — Amster, Rothstein &
Ebenstein LLP

(57) **CLAIM**

The ornamental design for a jewelry storage and display case, as shown and described.

DESCRIPTION

FIG. 1 is a first perspective view of a jewelry storage and display case in an open first position, showing my new design;

FIG. 2 is a front view thereof;

FIG. 3 is a back view thereof;

FIG. 4 is a top view thereof;

FIG. 5 is a bottom view thereof;

FIG. 6 is a left side view thereof;

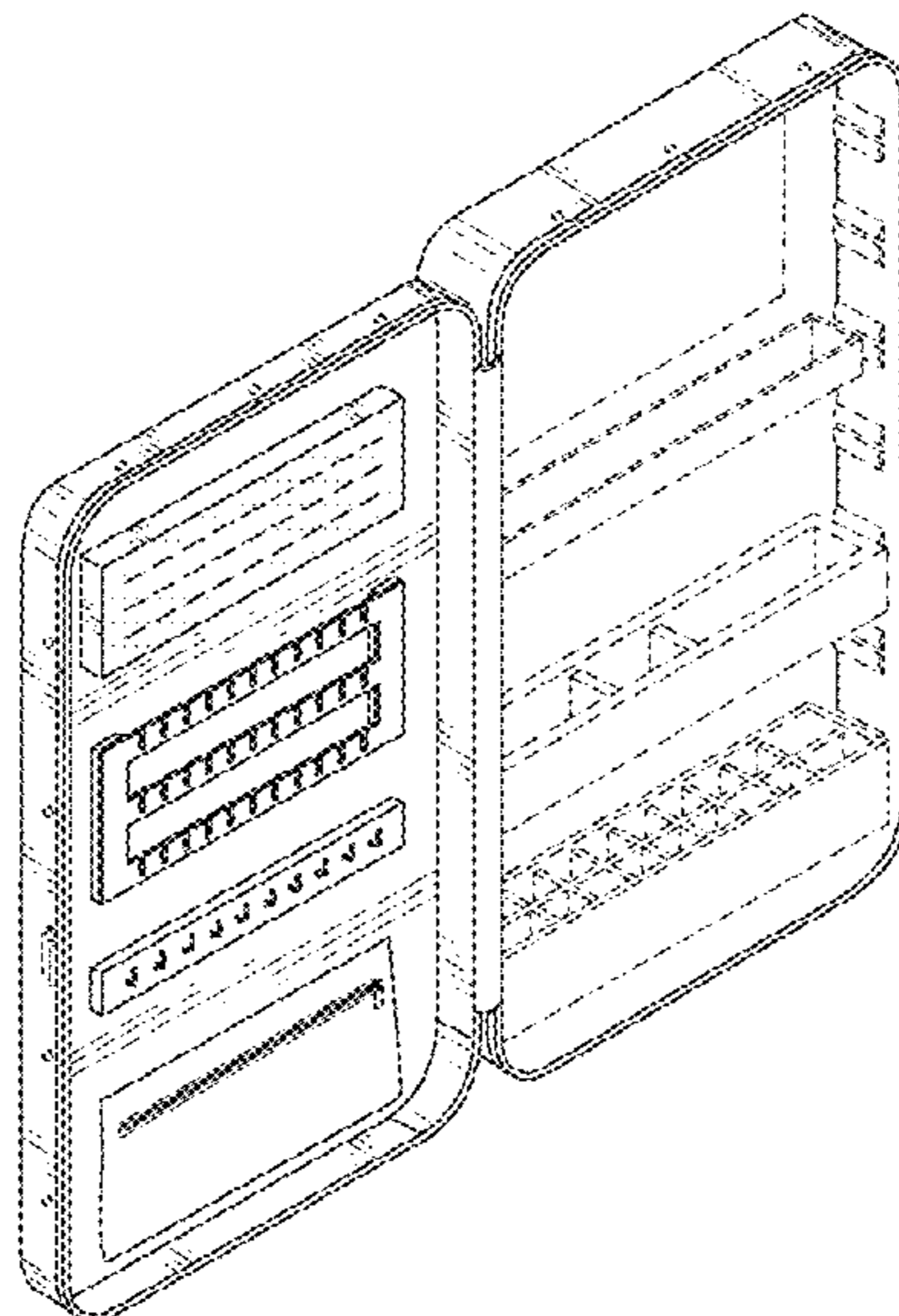
FIG. 7 is a right side view thereof;

FIG. 8 is a second perspective view of the jewelry storage and display case of FIG. 1 in a closed second position; and,

FIG. 9 is a third perspective view of the jewelry storage and display case of FIG. 1 in an open third position with detached interior elements.

The broken lines in FIGS. 1-9 depict portions that represent unclaimed environment and form no part of the claimed design.

1 Claim, 9 Drawing Sheets



(56)

References Cited

U.S. PATENT DOCUMENTS

D759,378 S *	6/2016	West	D3/294
D770,770 S *	11/2016	White	D3/295
D839,587 S *	2/2019	Beilman	D3/205
D854,827 S *	7/2019	Yuan	D3/289
2007/0235056 A1 *	10/2007	Vintimiglia	A45D 40/22 132/294

* cited by examiner

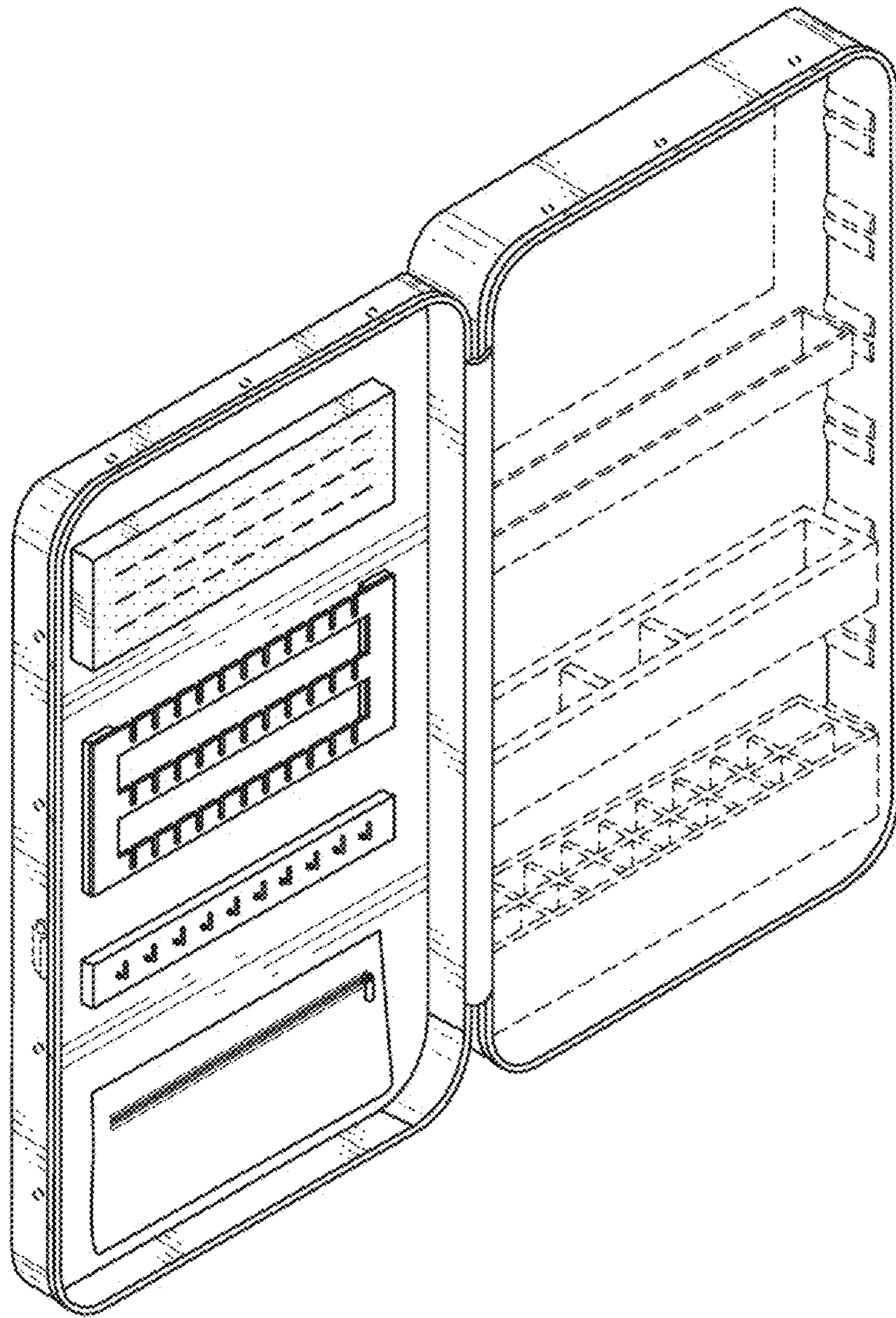


FIG. 1

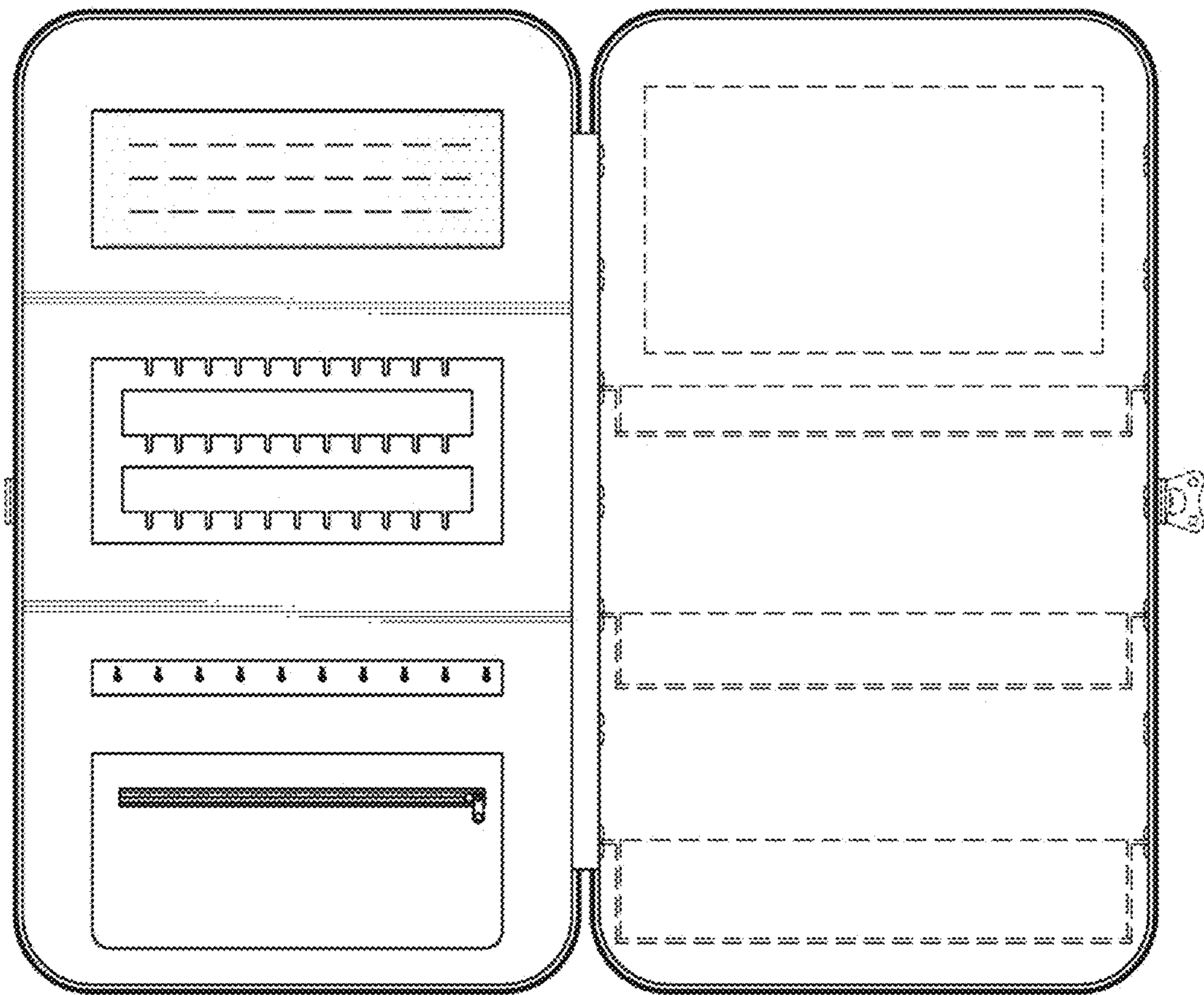


FIG. 2

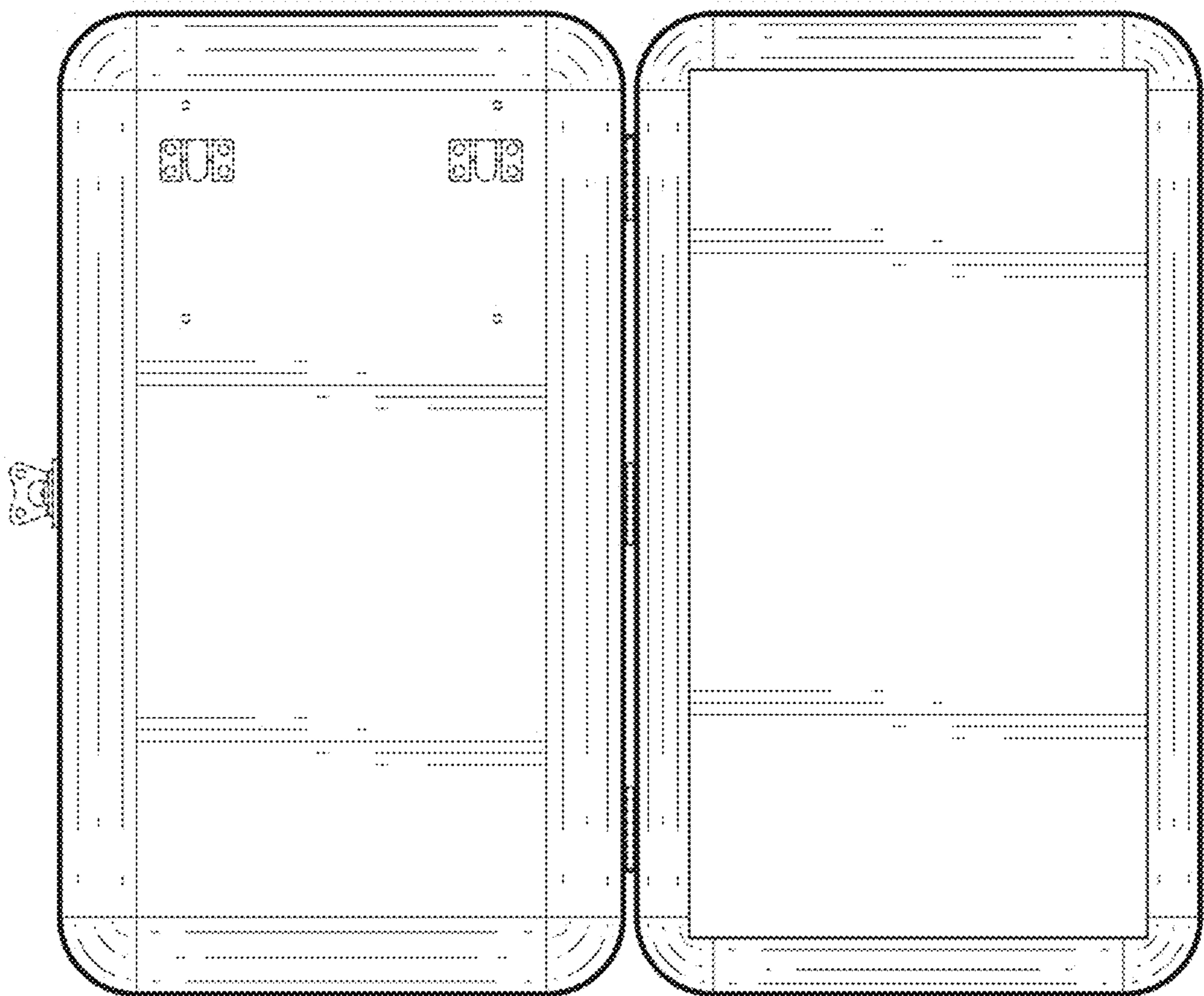


FIG. 3

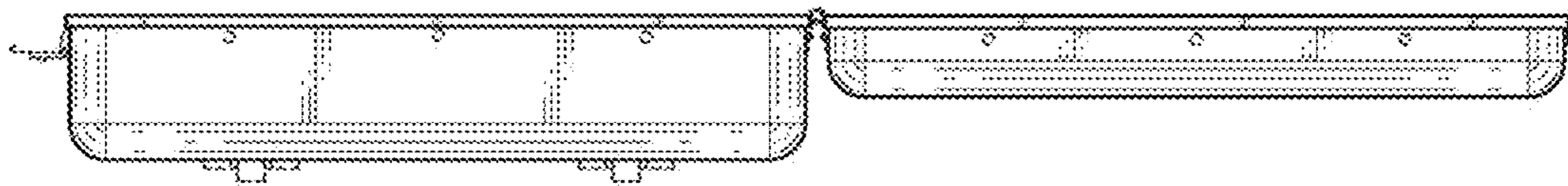


FIG. 4

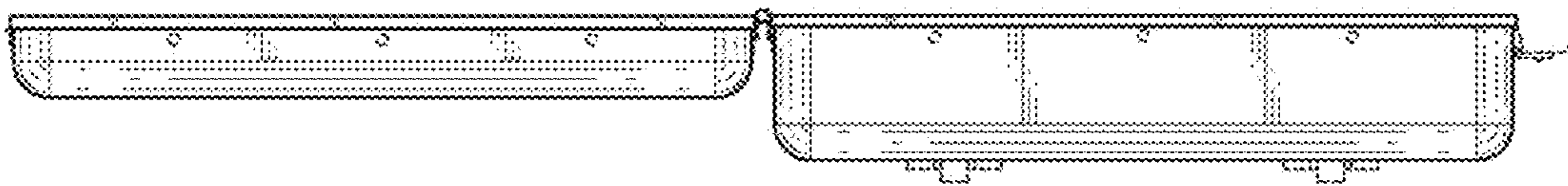


FIG. 5



FIG. 6

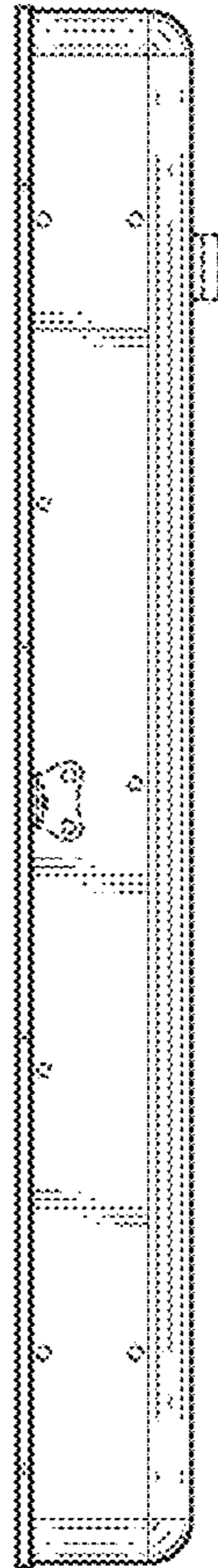


FIG. 7

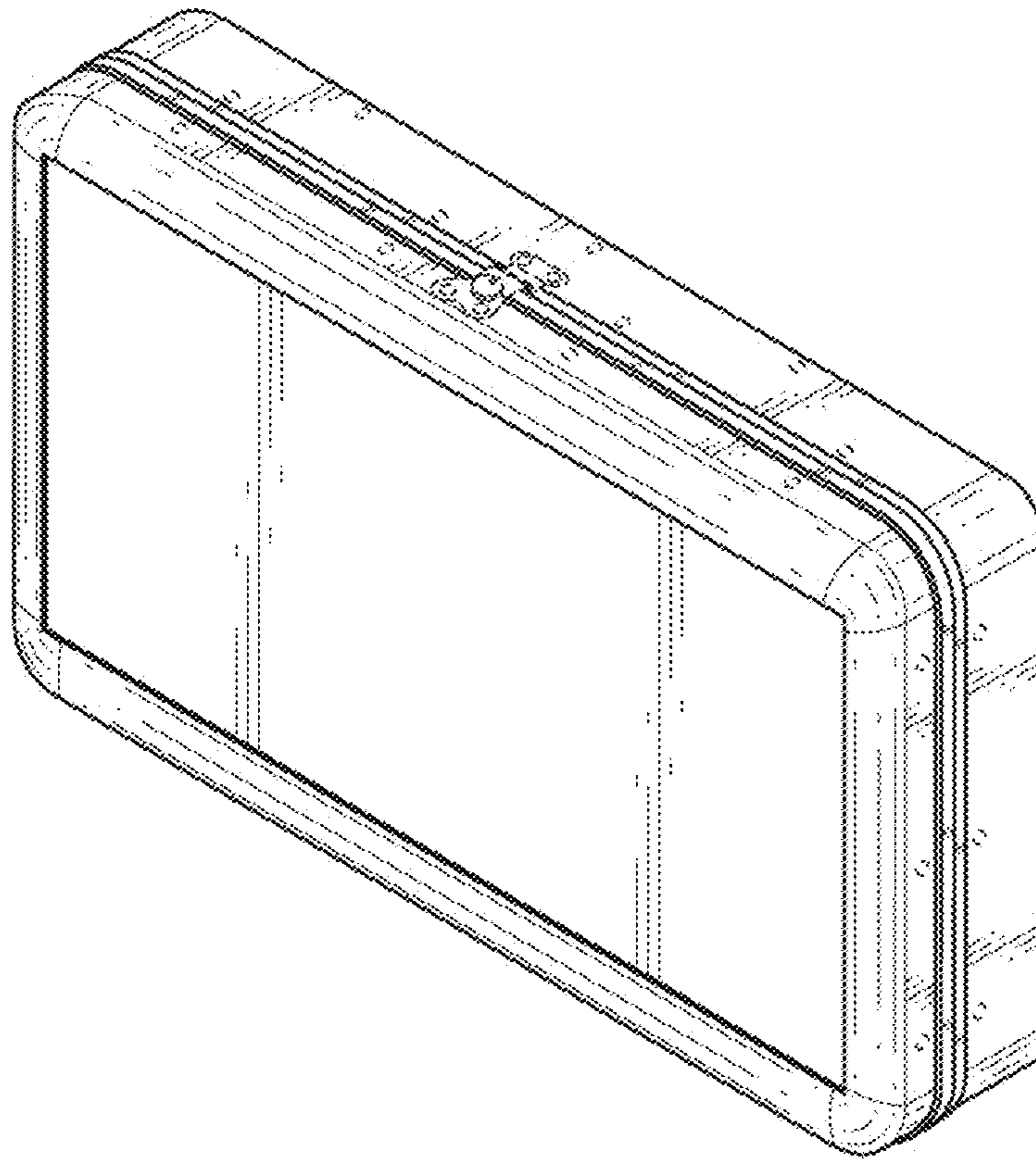


FIG. 8

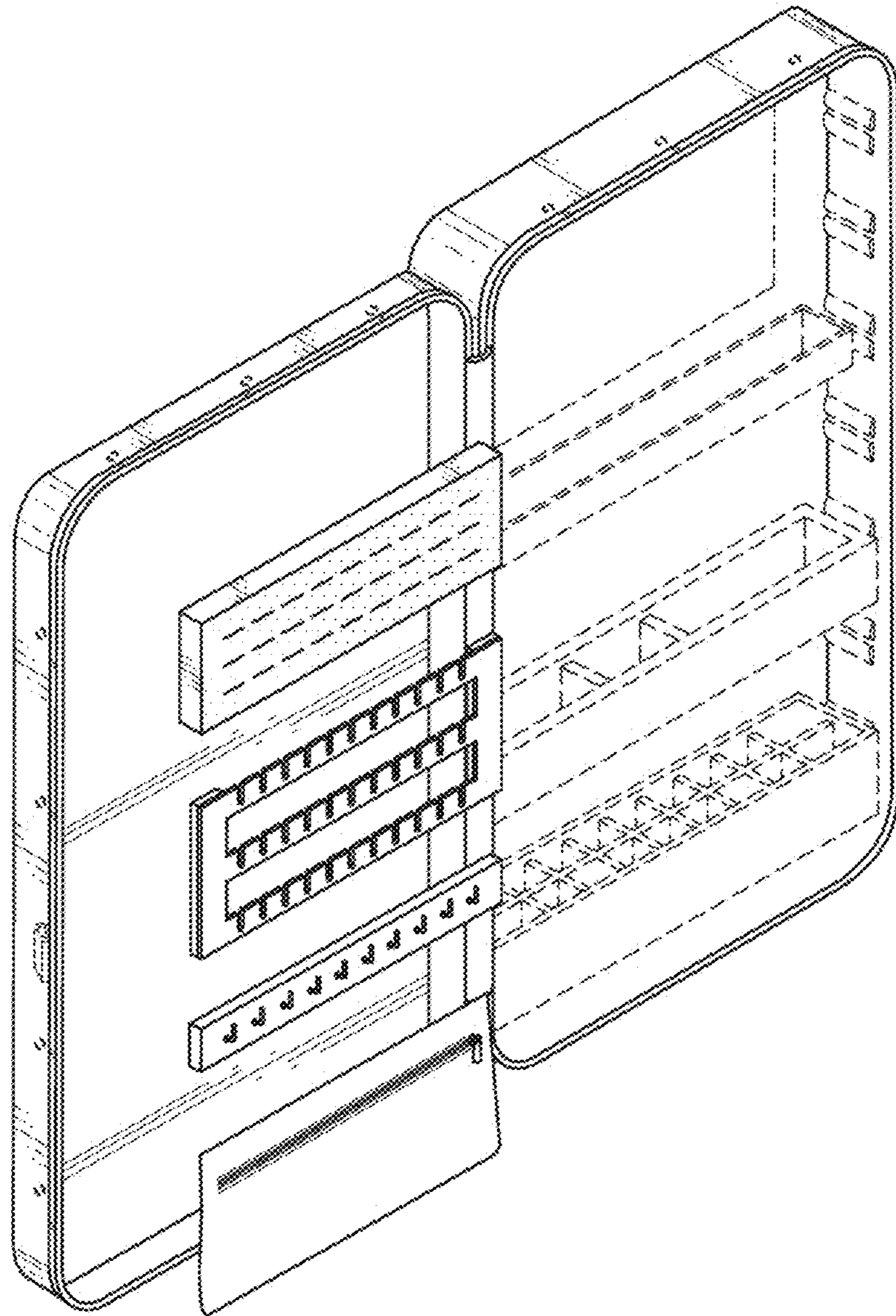


FIG. 9