



US00D944572S

(12) **United States Design Patent** (10) **Patent No.:** **US D944,572 S**
Davis et al. (45) **Date of Patent:** **** Mar. 1, 2022**

(54) **CHEST**
(71) Applicant: **WALKER EDISON FURNITURE COMPANY LLC**, Salt Lake City, UT (US)
(72) Inventors: **Matthew Davis**, Murray, UT (US); **Brad Bonham**, Draper, UT (US); **Richard A. Packer**, Kaysville, UT (US)

D251,885 S 5/1979 Tebbe
D259,316 S 5/1981 Offredi
D296,505 S 7/1988 Kaliski
D312,738 S 12/1990 Newhouse
D379,880 S 6/1997 Stoeckli
D384,525 S 10/1997 McBrayer
D394,171 S * 5/1998 De Blaay D6/671.1
D401,443 S 11/1998 Zaidman
(Continued)

(73) Assignee: **Walker Edison Furniture Company LLC**, West Jordan, UT (US)

(**) Term: **15 Years**

(21) Appl. No.: **29/677,754**

(22) Filed: **Jan. 23, 2019**

(51) **LOC (13) Cl.** **06-04**

(52) **U.S. Cl.**
USPC **D6/671.1**

(58) **Field of Classification Search**
USPC D6/663, 664.1, 665, 657, 668.2, 671, D6/671.1
CPC A47B 17/04; A47B 67/005; A47B 47/03; A47B 67/00

See application file for complete search history.

(56) **References Cited**

U.S. PATENT DOCUMENTS

D120,370 S 5/1940 Bach
D129,484 S 9/1941 Jiranek
D165,241 S 11/1951 Porter
D165,243 S 11/1951 Porter
D167,770 S 9/1952 Porter
D187,232 S 2/1960 Matyas
D193,717 S 10/1962 Deaton
D203,194 S 12/1965 Klein
D205,290 S 7/1966 Klein
D241,293 S 9/1976 Introini

OTHER PUBLICATIONS

“Walker Edison Wood Dresser.” Found online Jun. 16, 2021 at www.amazon.com. Product first available Sep. 4, 2018. Retrieved from URL: https://www.amazon.com/WE-Furniture-AZR6DDDRWT-Dresser-Walnut/dp/B07H35NSL3?th=1 (Year: 2018).*

(Continued)

Primary Examiner — Mary Ann Calabrese

Assistant Examiner — Katelin G Kloberg

(74) *Attorney, Agent, or Firm* — Workman Nydegger

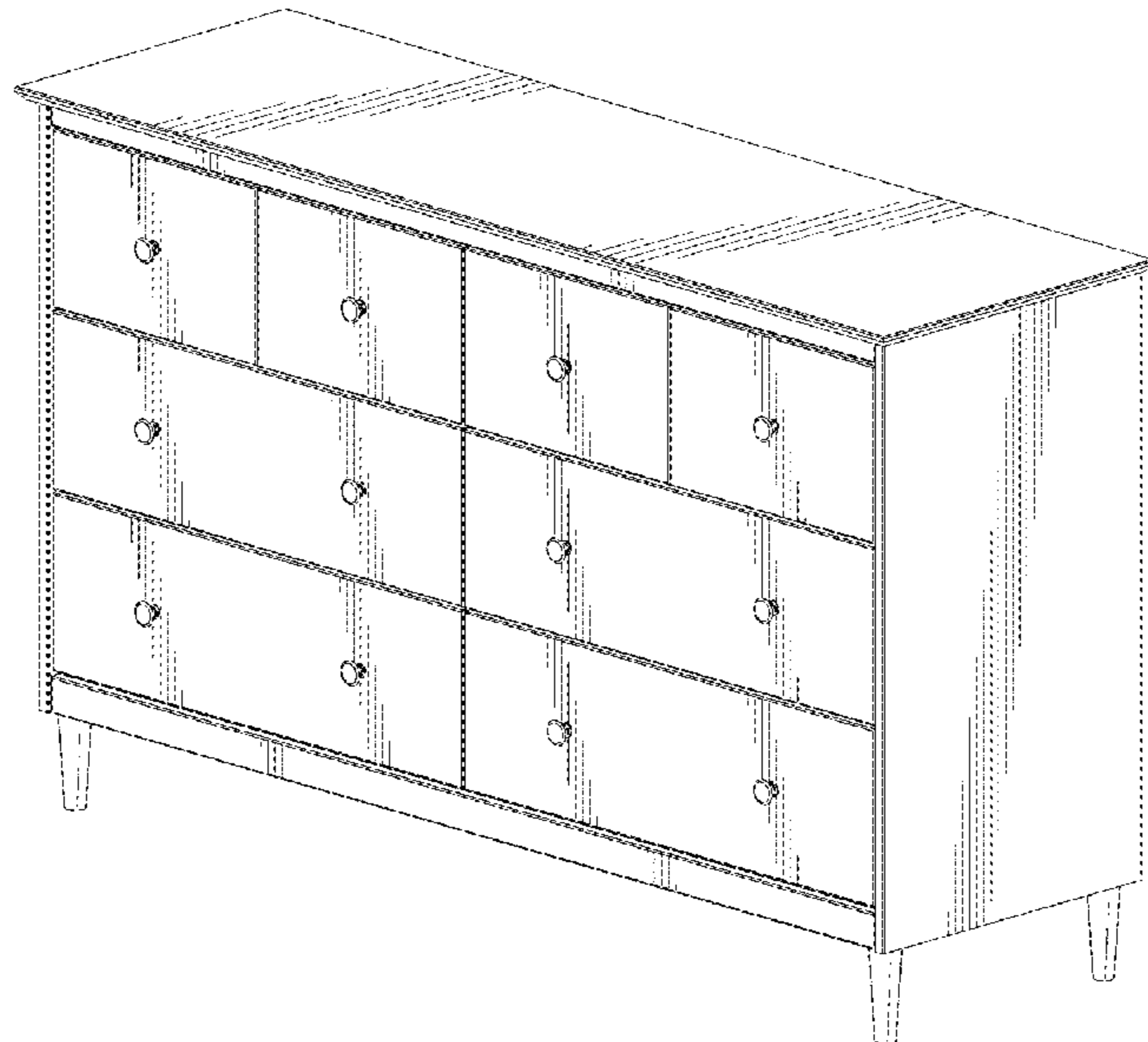
(57) **CLAIM**

The ornamental design for a chest, as shown and described.

DESCRIPTION

FIG. 1 is a front perspective view of a chest showing the new design;
FIG. 2 is another front perspective view thereof showing the top two drawers in open configurations;
FIG. 3 is a front elevation view thereof;
FIG. 4 is a back elevation view thereof;
FIG. 5 is a top plan view thereof;
FIG. 6 is a bottom plan view thereof;
FIG. 7 is a right elevation view thereof; and,
FIG. 8 is a left elevation view thereof.
The broken lines in the drawings are for the purpose of illustrating portions of the article that form no part of the claimed design.

1 Claim, 5 Drawing Sheets



(56)

References Cited

U.S. PATENT DOCUMENTS

D436,754	S	1/2001	Bellini	
D440,071	S	4/2001	Hutton	
D440,073	S *	4/2001	Cain	D6/668.2
D440,074	S	4/2001	Hutton	
D462,008	S	8/2002	Stone	
D466,332	S *	12/2002	Risdon	D6/665
D475,225	S	6/2003	McBrayer	
D485,451	S	1/2004	De Blois	
D487,200	S *	3/2004	Wanek	D6/664.1
D488,002	S	4/2004	Wanek	
D493,043	S *	7/2004	Juneau	D6/671.1
D496,190	S *	9/2004	Mohundro	D6/671.1
D499,274	S	12/2004	Juneau	
D502,821	S *	3/2005	Mohundro	D6/671.1
D503,297	S *	3/2005	Mohundro	D6/671.1
D506,089	S *	6/2005	Mohundro	D6/671.1
D508,347	S	8/2005	Juneau	
D511,053	S *	11/2005	Peterson	D6/671.1
D512,247	S *	12/2005	Prillaman	D6/671.1
D515,842	S *	2/2006	Peterson	D6/671.1
D516,342	S *	3/2006	Mohundro	D6/671.1
D519,299	S	4/2006	Boudreau	
D522,270	S	6/2006	Roeseler	
D525,049	S *	7/2006	Mohundro	D6/671.1
D526,814	S	8/2006	Juneau	
D532,992	S	12/2006	Kingsley	
D533,732	S	12/2006	Juneau	
D542,057	S	5/2007	Juneau	
D560,388	S *	1/2008	Bacon	D6/668.2
D596,421	S	7/2009	Kanthasamy	
D604,959	S	12/2009	Good	
D609,496	S	2/2010	Kanthasamy	
D626,635	S	11/2010	Thomas	
D718,956	S	12/2014	Heiser	
D738,142	S *	9/2015	Glattstein	D6/671.1
D747,123	S	1/2016	Zambelli	
D805,814	S	12/2017	Ginestra	
D815,465	S	4/2018	Hannoosh	
D815,466	S	4/2018	Hannoosh	
D815,467	S	4/2018	Hannoosh	
D815,468	S	4/2018	Hannoosh	
D818,745	S	5/2018	Hannoosh	
D848,767	S	5/2019	Smrstick	
D861,387	S	10/2019	Bray	
D861,388	S	10/2019	Bray	
D861,389	S	10/2019	Bray	
D862,134	S	10/2019	Bray	
D862,135	S	10/2019	Birch	
D867,033	S	11/2019	Bellini	
D867,791	S	11/2019	Birch	
D889,170	S	7/2020	Knox	
D889,886	S	7/2020	Birch	
D894,641	S	9/2020	Davis	
D895,329	S	9/2020	Knox	
D896,008	S	9/2020	Xiao	
D905,480	S	12/2020	Bakker	
D906,739	S	1/2021	Bakker	
D927,230	S	8/2021	Stravitz	
D929,159	S	8/2021	Davis	
D929,779	S	9/2021	Davis	
2004/0055980	A1	3/2004	Krieger	
2013/0126452	A1	5/2013	Lo	
2013/0127316	A1	5/2013	Wu	
2014/0231404	A1	8/2014	Struck	

OTHER PUBLICATIONS

“Ikea 8-drawer dresser.” Found online Jun. 16, 2021 at www.amazon.com. Product first available Aug. 25, 2016. Retrieved from URL: <https://www.amazon.com/8-drawer-dresser-white-stain-228-52617-3834/dp/B01L0E13SC> (Year: 2016).*

U.S. Appl. No. 29/767,920, filed Jan. 26, 2021, Duhadway.

U.S. Appl. No. 29/767,921, filed Jan. 26, 2021, Duhadway.

U.S. Appl. No. 29/767,926, filed Jan. 26, 2021, Duhadway.

U.S. Appl. No. 29/768,124, filed Jan. 27, 2021, Naylor.

YouTube; Bourbon Moth Woodworking; Mid Century Walnut Hutch Build/ How-To; Jul. 24, 2018; <https://www.youtube.com/watch?app=desktop&v=R8a4TynV67o&feature=youtu.be>.

Appliancesconnection.com; Walker Edison Buffet BU52SV6D; retrieved on Mar. 11, 2021; <https://www.appliancesconnection.com/walker-edison-bu52sv6d.html>.

“Walker Edison Furniture AZR2DSLNSCA nightstand Caramel.” Found online Mar. 26, 2021 at www.amazon.com. Product reviewed Apr. 15, 2019. Retrieved from URL: <https://www.amazon.com/WE-Furniture-AZR3DSLDRWT-Dresser-Walnut/dp/B07N26W6PG?th=1> (Year: 2019).

Eden Bridge Designs Mid Century Nightstand. Found online Mar. 26, 2021 at www.amazon.co.uk. Product first available Apr. 22, 2019. Retrieved from URL: https://www.amazon.co.uk/WE-Furniture-Century-Nightstand-Storage/dp/B07QXLKMW?ref=ast_sto_dp&th=1 (Year: 2019).

“Sonoma 2-Drawer Walnut Nightstand by Bellamy Studios.” Found online Mar. 26, 2021 at www.walmart.com. Product reviewed Mar. 21, 2020. Retrieved from URL: <https://tinyurl.com/2yahxxzc> (Year: 2020).

Eden Bridge Design Modern Midcentury Dresser. Found online Mar. 26, 2021 at www.amazon.co.uk. Product first available Jan. 23, 2019. Retrieved from URL: <https://tinyurl.com/r6uscnuw> (Year: 2019).

Walker Edison 3 Drawer. Found online Mar. 26, 2021 at www.amazon.com. Product reviewed Apr. 15, 2019. Retrieved from URL: https://www.amazon.com/WE-Furniture-AZR6DSLDRCA-Dresser-Caramel/dp/B07N28F4BL/ref=dp_fod_3?pd_rdJ=B07N26VX8S&th=1 (Year: 2019).

Desert Fields Sonoma 3-Drawer Caramel Dresser. Found online Mar. 26, 2021 at www.walmart.com. Product reviewed May 16, 2019. Retrieved from URL: <https://www.walmart.com/ip/Desert-Fields-Sonoma-3-Drawer-Caramel-Dresser/753739235?selected=true> (Year: 2019).

“Eden Bridge Designs Dresser.” Found on line Mar. 26, 2021 at www.amazon.co.uk. Product first available Jan. 23, 2019. Retrieved from URL: <https://www.amazon.co.uk/WE-Furniture-Walker-Century-Dresser/dp/B07N26VX8S> (Year: 2019).

“Carson Carrington Gammelstaden Mid-century 6-drawer Dresser.” Found online Mar. 26, 2021 at www.overstock.com. Product reviewed Jan. 24, 2019. Retrieved from URL: <https://tinyurl.com/3uxxs7vu> (Year: 2019).

“Desert Fields Sonoma 6-Drawer.” Found online Mar. 26, 2021 at www.walmart.com. Product reviewed Feb. 6, 2019. Retrieved from URL: <https://tinyurl.com/bs9jfv9t> (Year: 2019).

“Walker Edison Furniture AZR6DSLDRCA Dresser Caramel.” Found online Mar. 26, 2021 at www.amazon.com. Product reviewed May 25, 2019. Retrieved from URL: https://www.amazon.com/WE-Furniture-AZR6DSLDRWT-Dresser-Walnut/dp/B07N26VX8S/ref=dp_fod_2?pd_rd_i=B07N27XGSC&th=1 (Year: 2019).

Bridgeport by Hopewood; Found online on Mar. 29, 2021 at <https://hubbingtons.com/product-category/bridgeport-by-hopewood/>.

Dovetail Furniture DOV Bridgeport Chest Grey; Found online on Mar. 29, 2021 at <https://www.goodshomefurnishings.com/dovetail-furniture-bridgeport-chest-grey/dov18028-p71/iteminformation.aspx>.

Renegar 2 Door Accent Cabinet; Wayfair.com; found online Apr. 21, 2021; retrieved May 3, 2021 (online); <https://www.wayfair.com/furniture/pdp/gracie-oaks-renegar-2-door-accent-cabinet-w001524010.html>.

Albright TV Stand; Wayfair.com; found online Apr. 21, 2021; retrieved May 3, 2021 (online); <https://www.wayfair.com/furniture/pdp/three-posts-albright-tv-stand-w003419693.html?placement=1>.

West Elm Website “furniture” search; Westelm.com; retrieved Apr. 20, 2020 (online); https://www.westelm.com/shop/furniture/?searchredir=true&cm_sp=HeaderLinks-_-OnsiteSearch-_-MainSite&cm_type=OnsiteSearch&term=furniture&searchredirtype=br.

Walker Edison Blog Post, How to Style an Entryway to Impress; walkereditonshop.com; retrieved Apr. 8, 2021 (online); <https://walkereditonshop.com/blogs/news>.

(56)

References Cited

OTHER PUBLICATIONS

Raymour Flanigan Website “Living Rooms” search; raymourflanigan.com; retrieved Nov. 6, 2020 (online); <https://raymourflanigan.com/living-rooms>.

Crate and Barrel Website “Business Interior Design” search; crateandbarrel.com; retrieved Nov. 6, 2020 (online); https://www.crateandbarrel.com/trade-program/?a=784&campaignid=1061902950&adgroupid=55881134521&targetid=aud-1097585102856:kwd-415008832538&adpos=creative=251673559670&device=c&matchtype=e&network=g&gclid=Cj0KCQjwytOEBhD5ARIsANnRjVgCRKameP5yMquG6rsNP7KAU-nUpzG5NfgZU-PhRCRUgz507littMaAhvLEALw_wcB.

Home Depot—Bridgeport Collection in Antique White; homedepot.com; retrieved May 13, 2020 (online); <https://www.homedepot.com/s/bridgeport%2520collection%2520in%2520antique%2520white?NCNI-5>.

Stuart David—Bridgeport; stuartdavid.com; retrieved May 13, 2020 (online); https://www.stuartdavid.com/search?product_search_api_fulltext=Bridgeport&search_api_views_submit=Submit.

Ohio Hardwood Furniture—Bridgeport 3 Drawer Armoire; ohiohardwoodfurniture.com; retrieved May 13, 2020 (online); <https://www.ohiohardwoodfurniture.com/products/bridgeport-3-drawer-armoire>.

Cabinfield—Brideport Series; cabinfield.com; retrieved May 13, 2020 (online); <https://www.cabinfield.com/fine-furniture/bedroom/contemporary-collection/bridgeport-series-6281>.

Stacy Furniture—Lexington Bedroom Bridgeport Bachelors Chests; stacyfurniture.com; retrieved May 13, 2020 (online); <https://www.stacyfurniture.com/lexington-bridgeport-bachelors-chest/714-624-8/iteminformation.aspx>.

Winhome Furniture Collection, found online May 20, 2021 at <https://www.whfurni.com/collections/all>, and retrieved Jun. 3, 2021. U.S. Appl. No. 29/698,929, Apr. 2, 2021, Final Office Action.

U.S. Appl. No. 29/698,933, Apr. 2, 2021, Office Action.

U.S. Appl. No. 29/698,934, Apr. 2, 2021, Office Action.

Carson Carrington Longyearbyen Mid-century Modern Nightstand, Overstock.com, review date with photograph of Jan. 22, 2019, site visited Dec. 9, 2020, available online at <https://www.overstock.com/Home-Garden/Carson-Carrington-Longyearbyen-20-inch-Mid-century-2-drawer-Nightstand/25482942/customer-reviews.html> (Year: 2019).

Mid-Century Solid Pine Three-Drawer Storage Chest, Middlebrook Designs, Overstock.com, review date with photo of Jun. 8, 2019, site visited Dec. 9, 2020, available online at <https://www.overstock.com/Home-Garden/Mid-Century-3-Drawer-Chest/25483239/customer-reviews.html> (Year: 2019).

West Elm Mid-Century 6-Drawer Dresser, Copycatchic.com, Apr. 7, 2016, site visited Dec. 10, 2020, available online at <https://www.bloglovin.com/blogs/copy-cat-chic-1715405/west-elm-mid-century-6-drawer-dresser-4825048972> (Year: 2016).

U.S. Appl. No. 29/698,929, Dec. 14, 2020, Office Action.

U.S. Appl. No. 29/698,933, Dec. 17, 2020, Office Action.

U.S. Appl. No. 29/698,934, Dec. 17, 2020, Office Action.

U.S. Appl. No. 29/743,596, filed Jul. 22, 2020, Packer.

U.S. Appl. No. 29/743,597, filed Jul. 22, 2020, Packer.

U.S. Appl. No. 29/699,073, Sep. 16, 2020, Notice of Allowance.

U.S. Appl. No. 29/698,929, filed Jul. 22, 2019, Davis.

U.S. Appl. No. 29/698,933, filed Jul. 22, 2019, Davis.

U.S. Appl. No. 29/698,934, filed Jul. 22, 2019, Davis.

U.S. Appl. No. 29/699,073, filed Jul. 23, 2019, Davis.

U.S. Appl. No. 29/720,725, filed Jan. 15, 2020, Davis.

U.S. Appl. No. 29/721,169, filed Jan. 17, 2020, Davis.

25" Lincoln Side Table/Nightstand; <https://www.pinterest.com/pin/33636328453042318/>; Retrieved on Oct. 15, 2018.

25" Lincoln Side Table/Nightstand; https://www.archiproducts.com/en/products/molteni-c/wooden-bedside-table-with-drawers-5050-lacquered-bedside-table_246952; Retrieved on Oct. 15, 2018.

30" Addison Cabinet; <https://www.pinterest.com/pin/33636328452974953/>; Retrieved on Nov. 25, 2019.

30" Addison Cabinet; <http://coleitalia.com/product/ottoman-box/>; Retrieved on Nov. 25, 2019.

U.S. Appl. No. 29/698,929, Jul. 20, 2021, Notice of Allowance.

U.S. Appl. No. 29/698,933, Jul. 20, 2021, Notice of Allowance.

U.S. Appl. No. 29/698,934, Jul. 20, 2021, Notice of Allowance.

“Vasagle End Table . . .” Oct. 1, 2018, amazon.com, site visited Sep. 22, 2021 <https://www.amazon.com/VASAGLE-Nightstand-Stackable-Compartment-Industrial/dp/B07_B7_LS_KPQ/ref=cm_cr_ar_p_d_product_top?ie=UTF8> (Year: 2018).

U.S. Appl. No. 29/743,596, filed Sep. 30, 2021, Notice of Allowance.

U.S. Appl. No. 29/743,597, filed Oct. 1, 2021, Notice of Allowance.

* cited by examiner

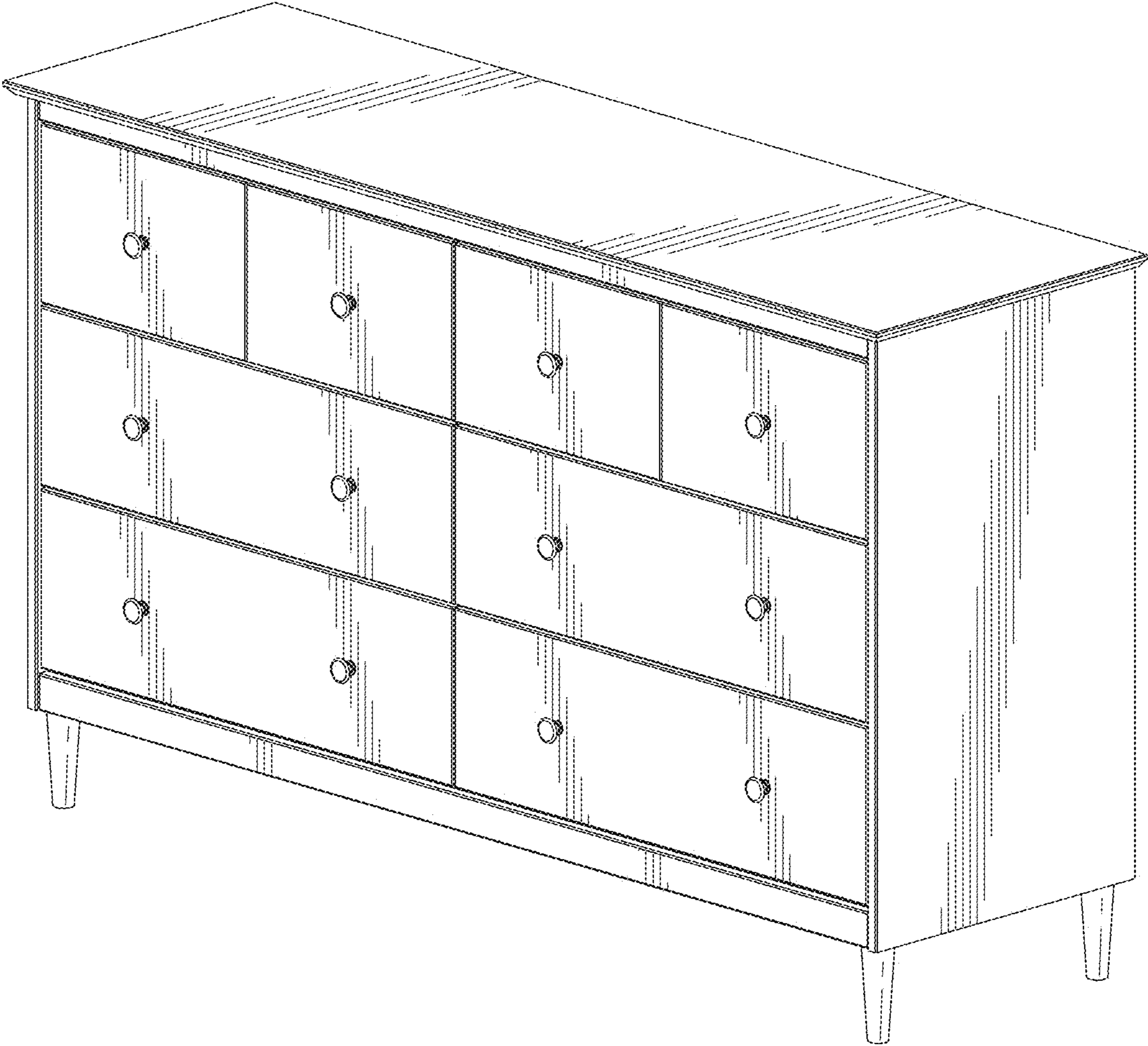


FIG. 1

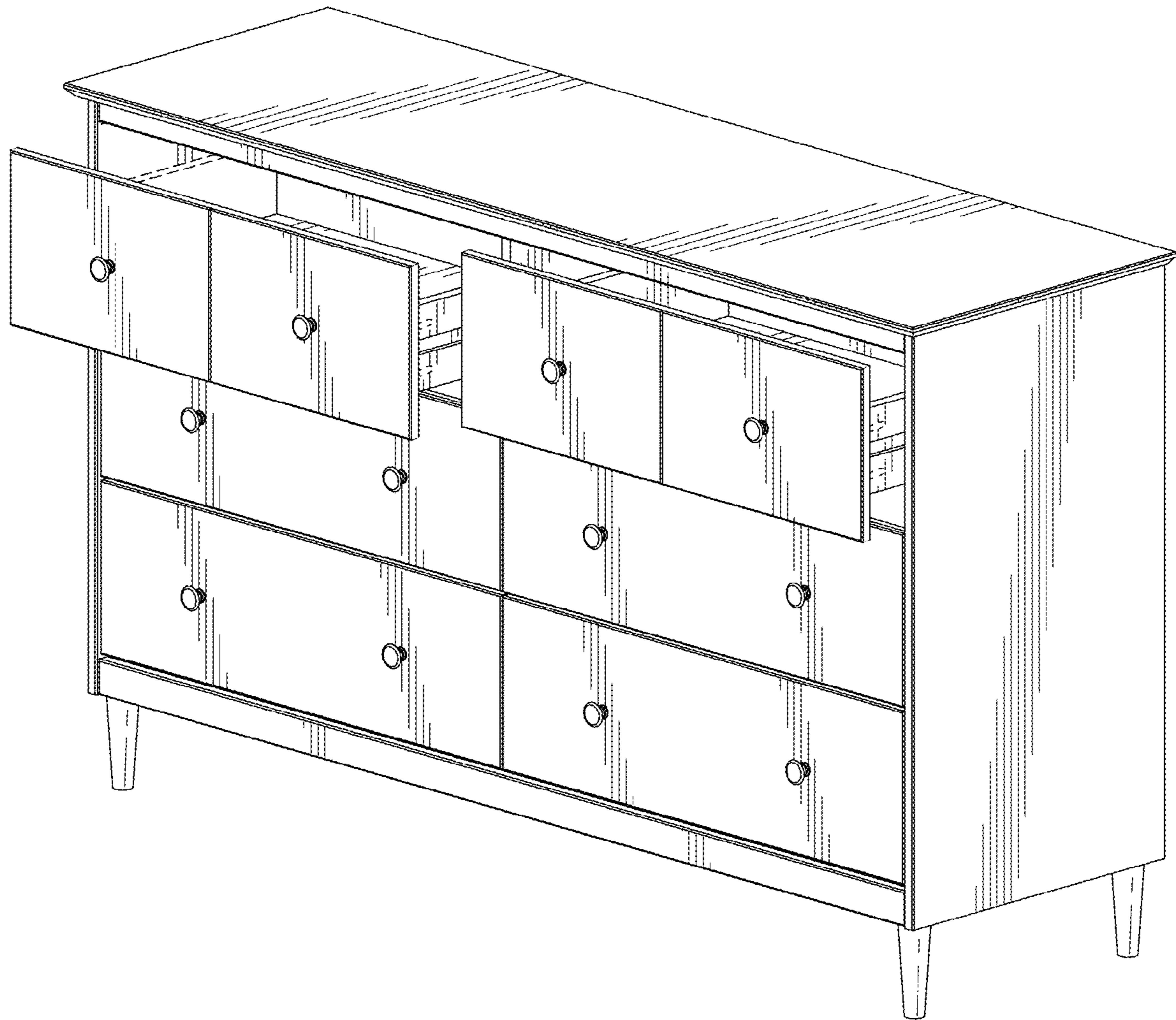


FIG. 2

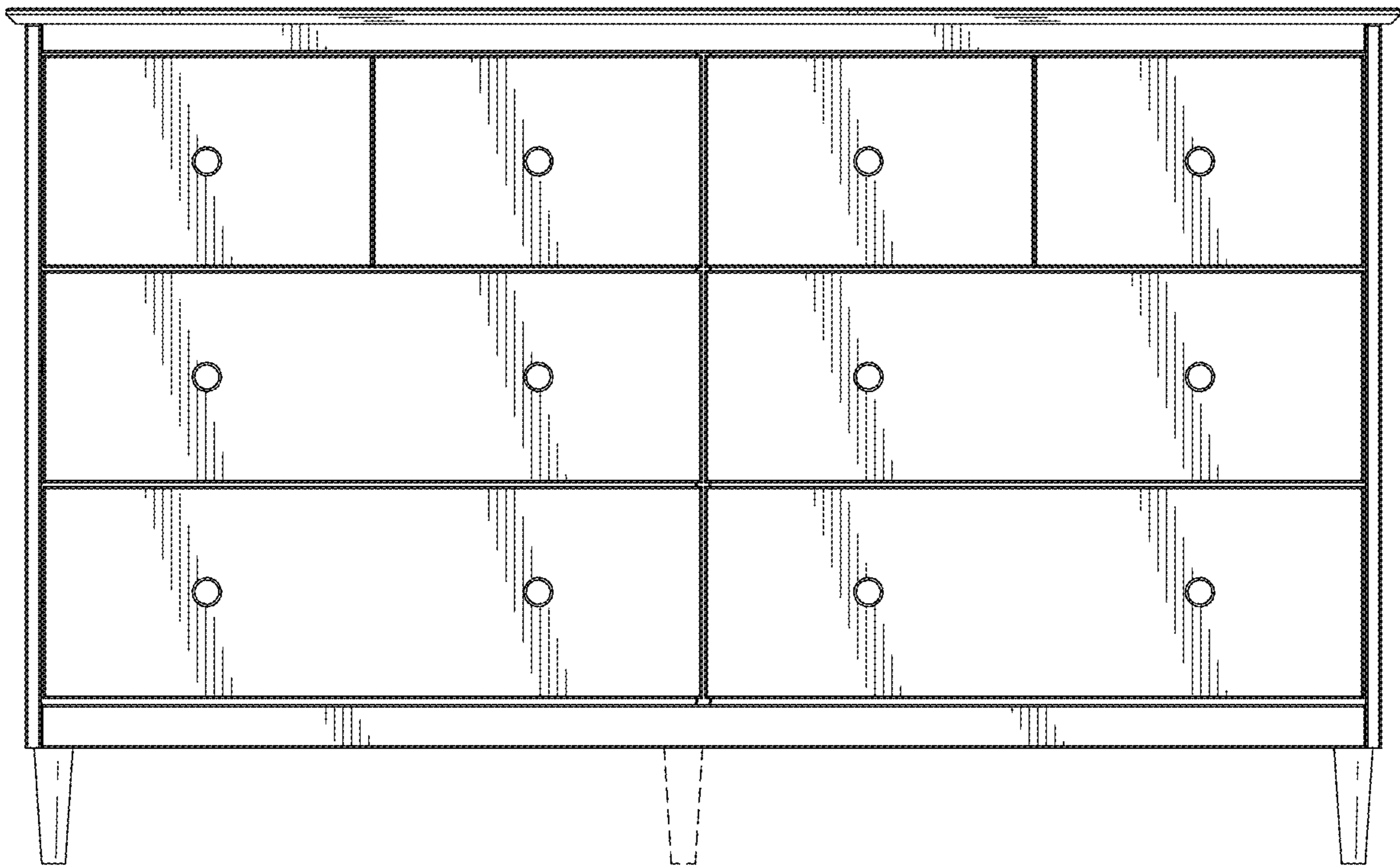


FIG. 3

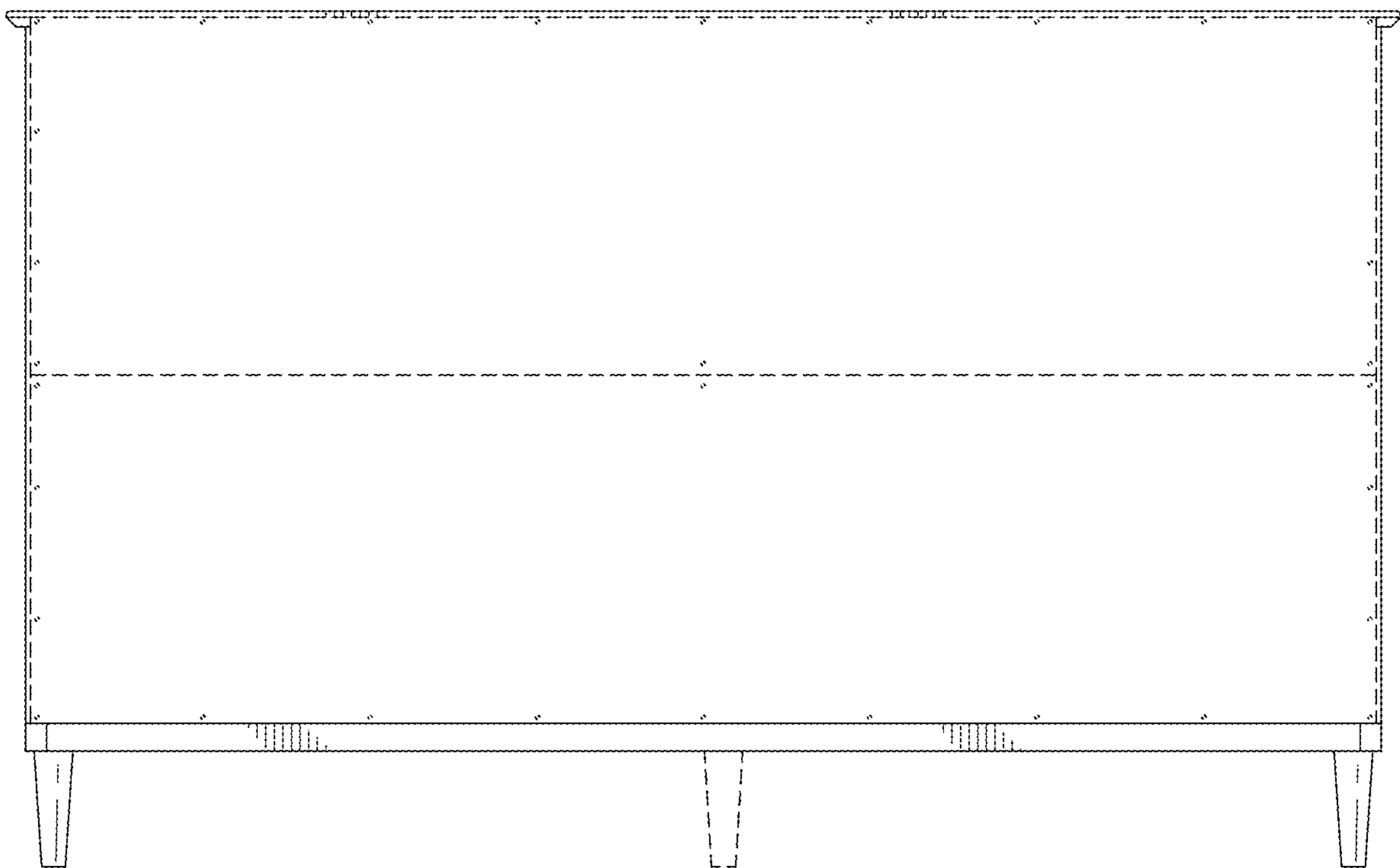


FIG. 4

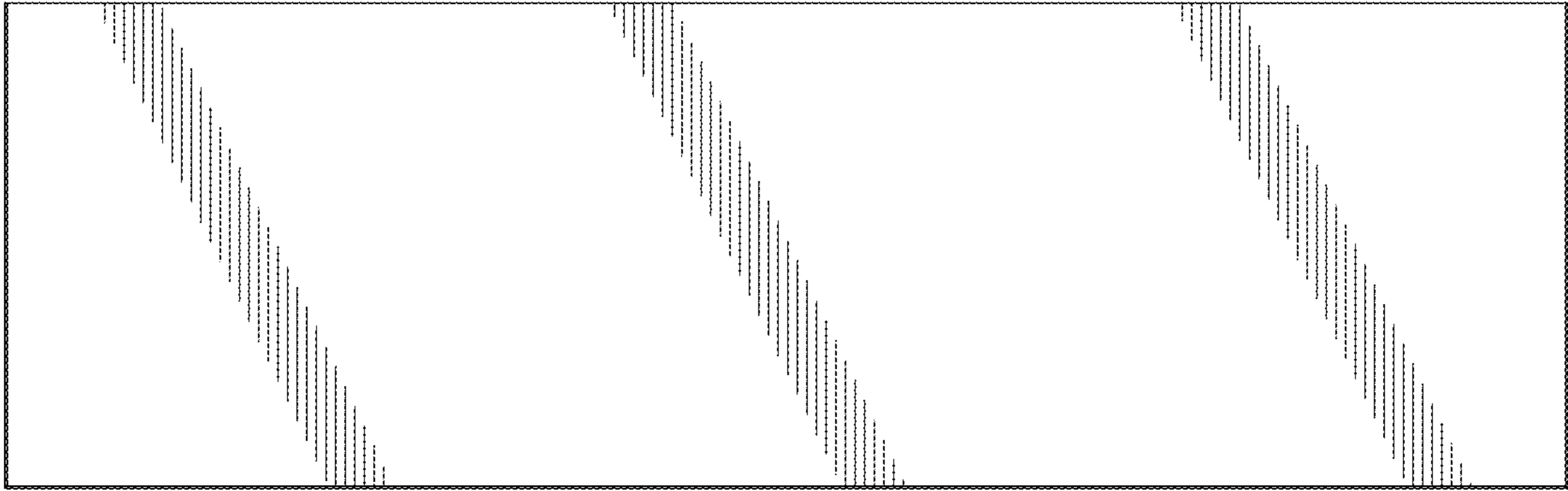


FIG. 5

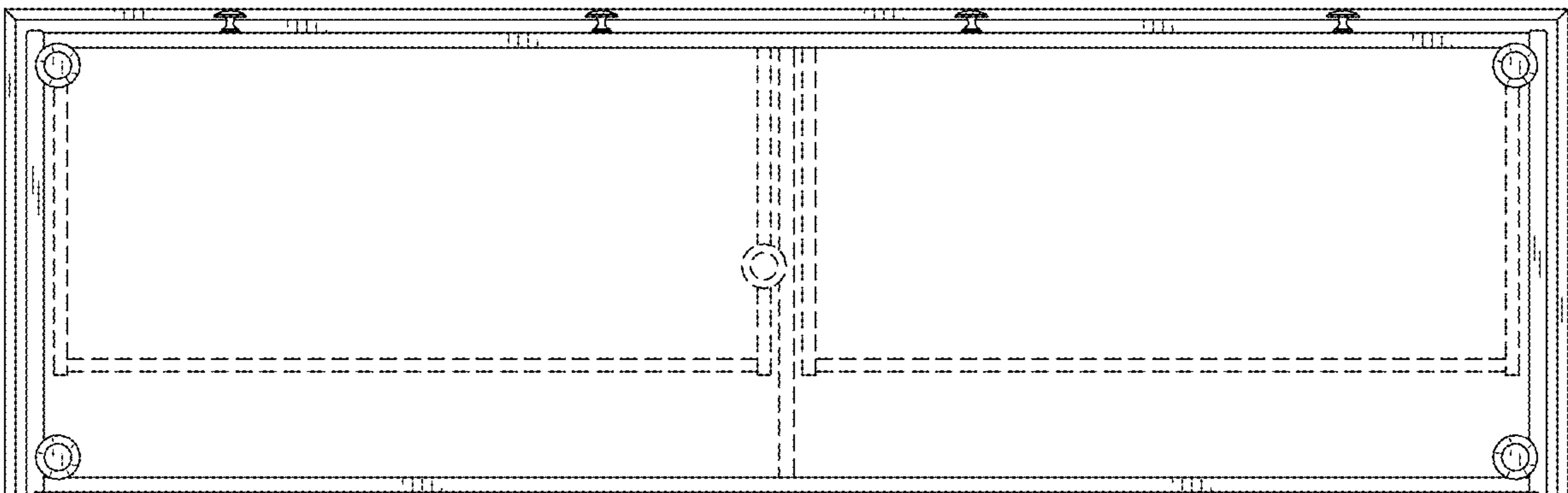


FIG. 6

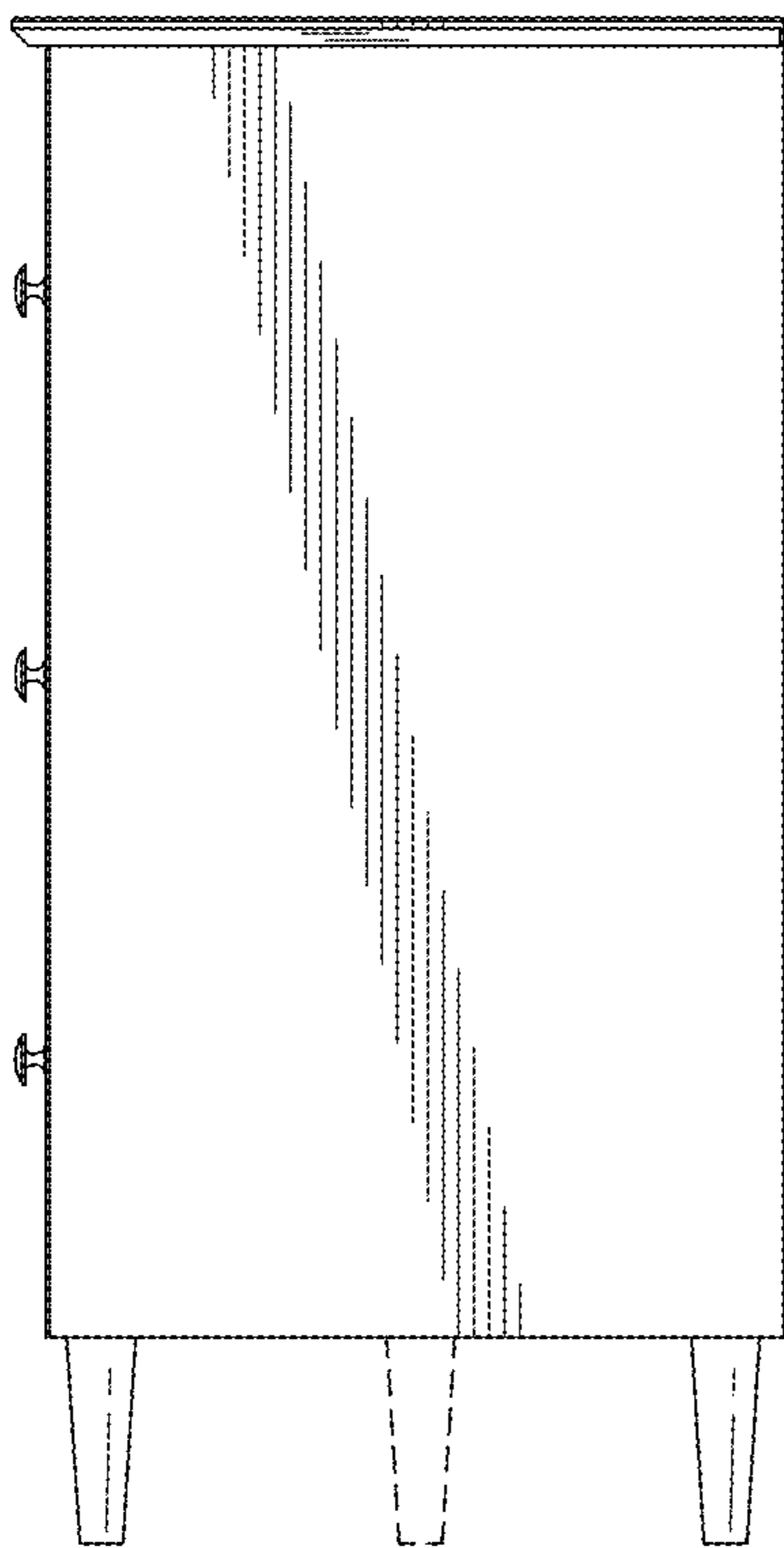


FIG. 7

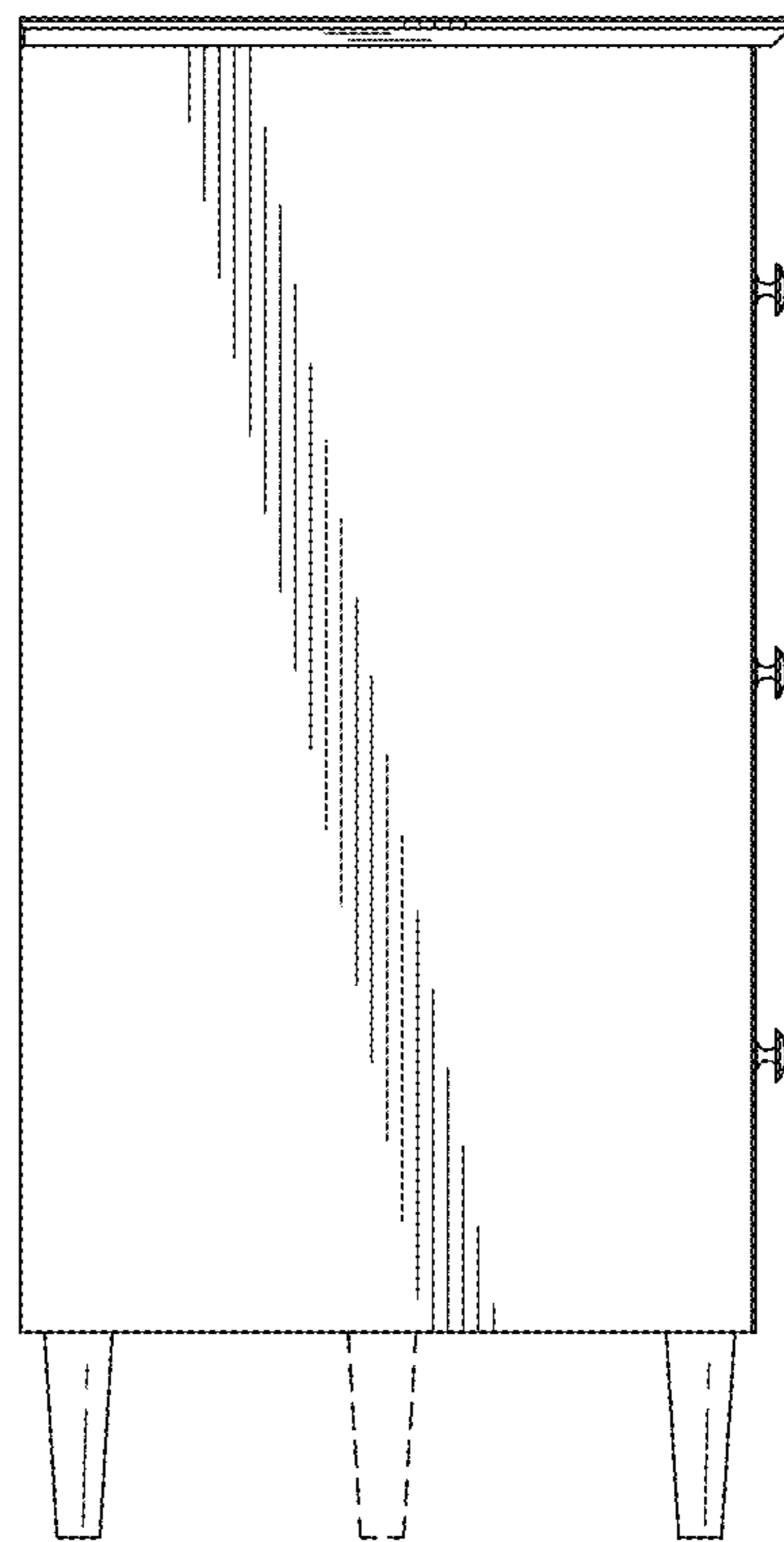


FIG. 8