



US00D944570S

(12) **United States Design Patent**
Alqudah

(10) **Patent No.:** **US D944,570 S**
(45) **Date of Patent:** **** Mar. 1, 2022**

- (54) **FOLDABLE BOX SPRING**
- (71) Applicant: **Khaled Alqudah**, Woodland Park, NJ (US)
- (72) Inventor: **Khaled Alqudah**, Woodland Park, NJ (US)
- (73) Assignee: **Khaled Alqudah**, Woodland Park, NJ (US)
- (**) Term: **15 Years**
- (21) Appl. No.: **29/712,029**
- (22) Filed: **Nov. 5, 2019**
- (51) **LOC (13) Cl.** **06-99**
- (52) **U.S. Cl.**
USPC **D6/606**
- (58) **Field of Classification Search**
USPC D6/382, 388, 393, 406.1, 406.3, 599, D6/602, 604-607, 642, 646, 647, 650, D6/653, 653.11, 653.16, 653.18, 653.19, D6/655, 655.17, 655.18, 655.2, 655.23, D6/655.22, 656.1, 656.11-656.13, 656.19, D6/665, 665.23, 708; D8/403; D25/113, D25/115-117, 133, 136
CPC A47C 23/00; A47C 23/02; A47C 23/06; A47C 27/06; A47C 27/08; A47C 27/081; A47C 27/128; A47C 31/12
See application file for complete search history.

- (56) **References Cited**
U.S. PATENT DOCUMENTS
1,785,252 A * 12/1930 Frank A47C 27/001 5/722
2,119,706 A * 6/1938 Drexler A47C 27/0456 5/692
2,547,840 A * 4/1951 Smith A47C 27/001 5/722

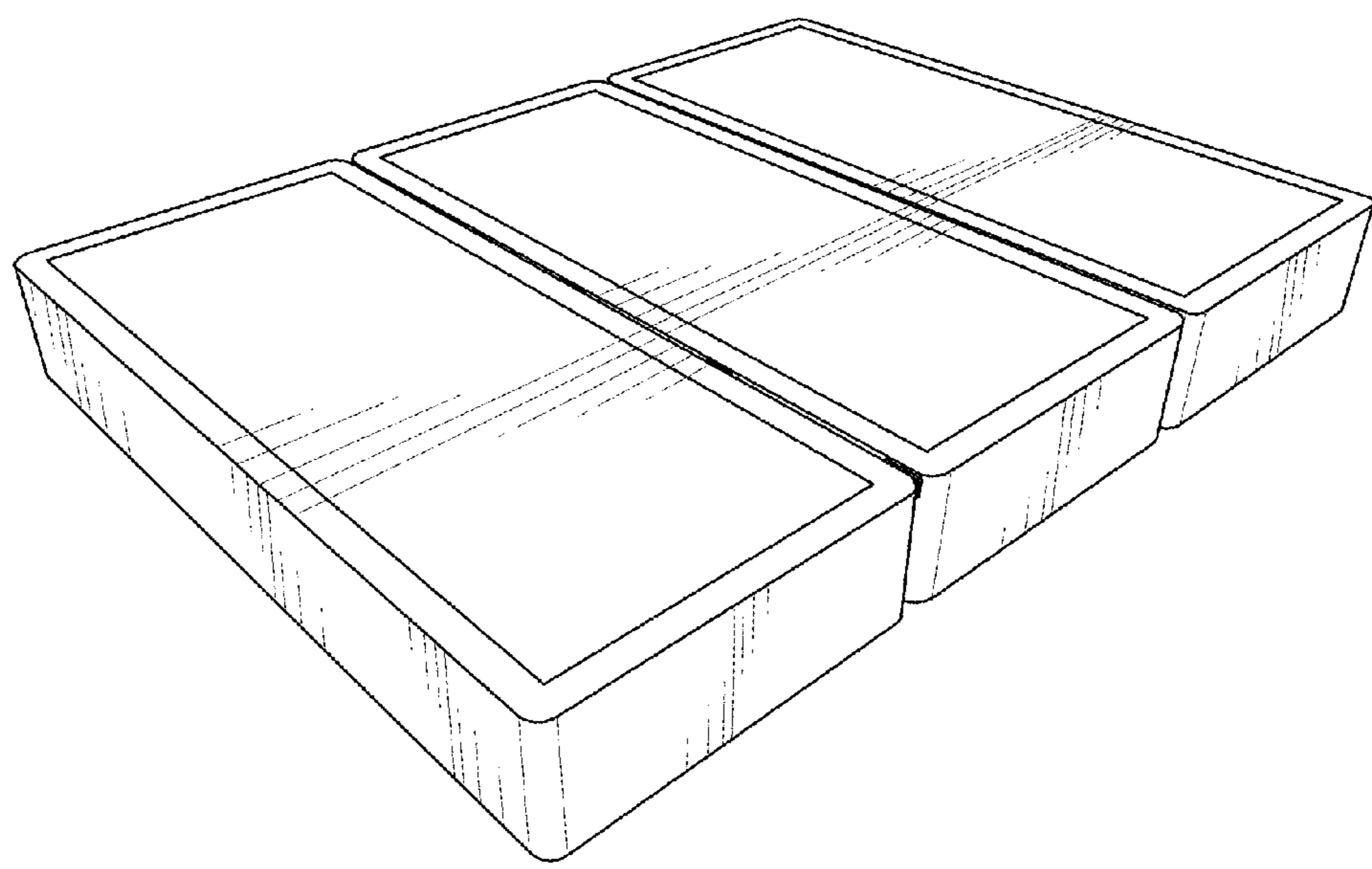
- 2,648,485 A * 8/1953 Young E05D 5/04 229/125.11
 - 4,128,907 A * 12/1978 Gelbart A47C 19/021 5/200.1
 - 4,231,127 A * 11/1980 Bendell A47C 27/001 5/722
 - 4,518,203 A * 5/1985 White A47C 17/045 297/108
 - 5,471,688 A * 12/1995 Cavazos A47C 27/07 5/251
 - 5,491,851 A * 2/1996 Alonso A47C 27/001 5/420
 - 5,867,849 A * 2/1999 Pontrello A47C 5/125 5/2.1
 - D411,057 S * 6/1999 Johnson, Jr. D6/392
 - 6,233,760 B1 * 5/2001 Cavazos A47C 23/00 5/246
 - 6,370,717 B1 * 4/2002 Kao A47C 27/001 5/691
 - D685,211 S * 7/2013 Vega-Woller D6/596
 - D807,665 S * 1/2018 Vega-Woller D6/596
- (Continued)

Primary Examiner — Jennifer L Rempfer

(57) **CLAIM**
The ornamental design for a foldable box spring, as shown and described.

DESCRIPTION
FIG. 1 is a front perspective view of a foldable box spring; FIG. 2 is front view thereof; FIG. 3 is a rear view thereof; FIG. 4 is a right side view thereof; FIG. 5 is a light side view thereof; FIG. 6 is a top view thereof; FIG. 7 is a bottom view thereof; and, FIG. 8 is an exploded view thereof. The broken lines depict exemplary environment and components for purposes of illustration and form no part of the design claim.

1 Claim, 8 Drawing Sheets



(56)

References Cited

U.S. PATENT DOCUMENTS

10,123,623 B2 * 11/2018 Nelson A47C 7/20
2003/0192121 A1 * 10/2003 Fleming A47C 31/007
5/420
2007/0022533 A1 * 2/2007 Borino A47G 9/0284
5/493
2017/0173856 A1 * 6/2017 Park A47C 27/001
2019/0059601 A1 * 2/2019 Kramer A47C 19/024

* cited by examiner

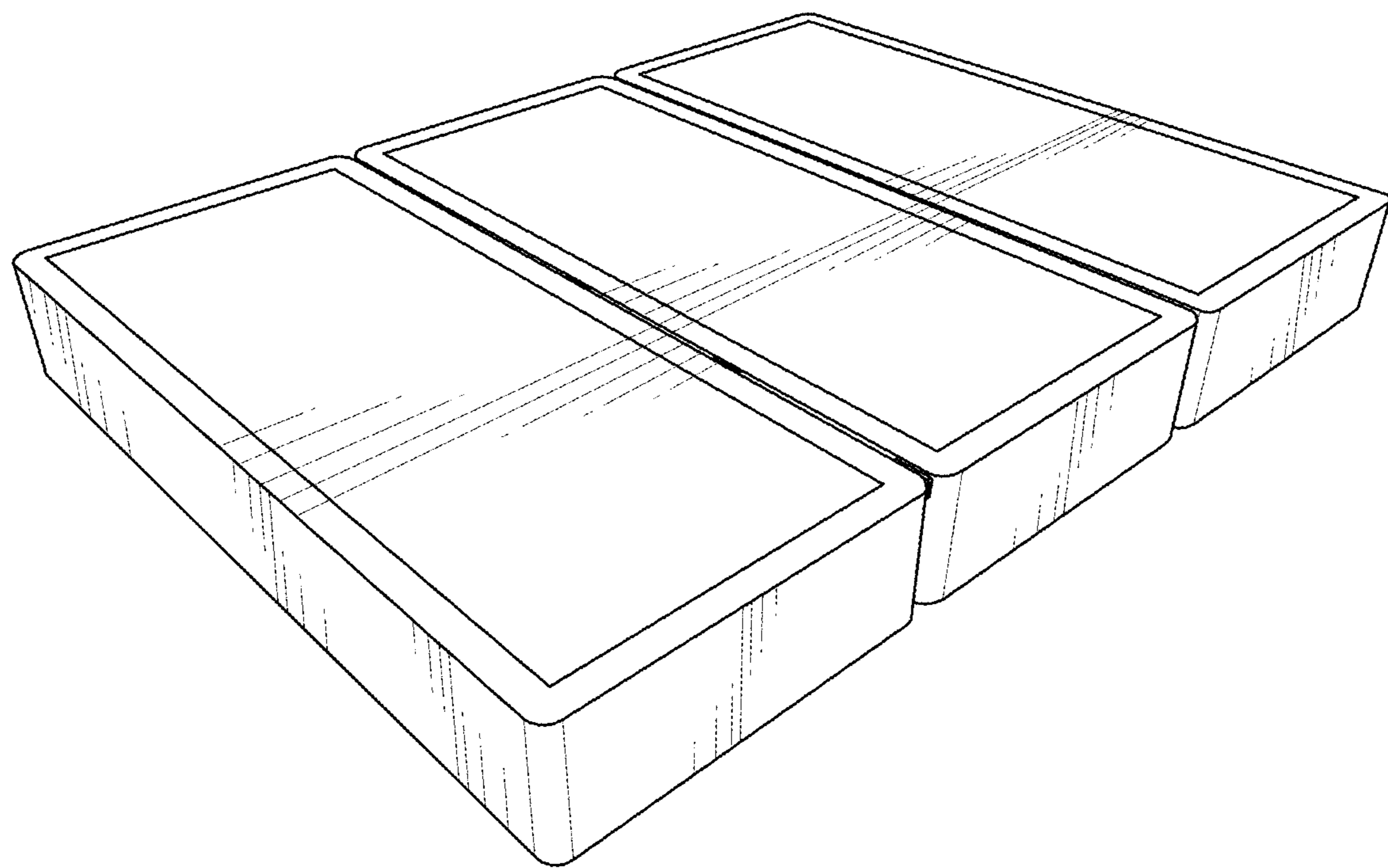


FIG. 1

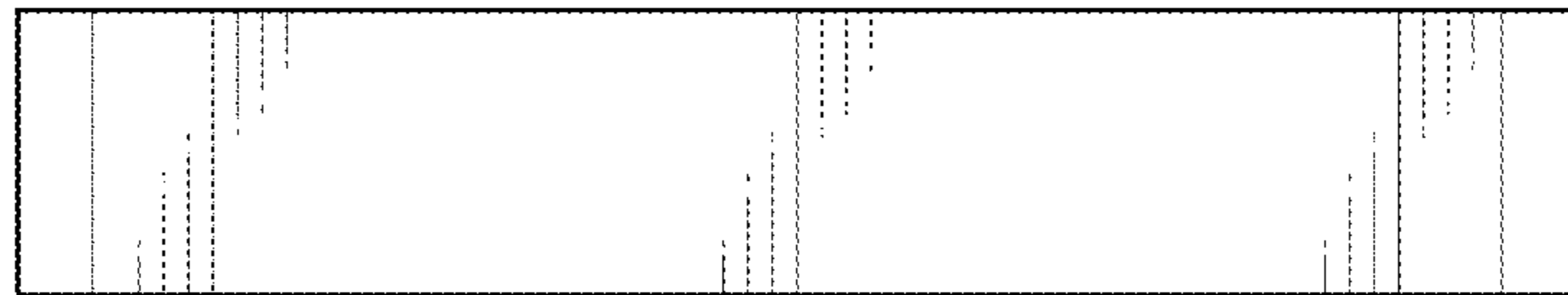


FIG. 2

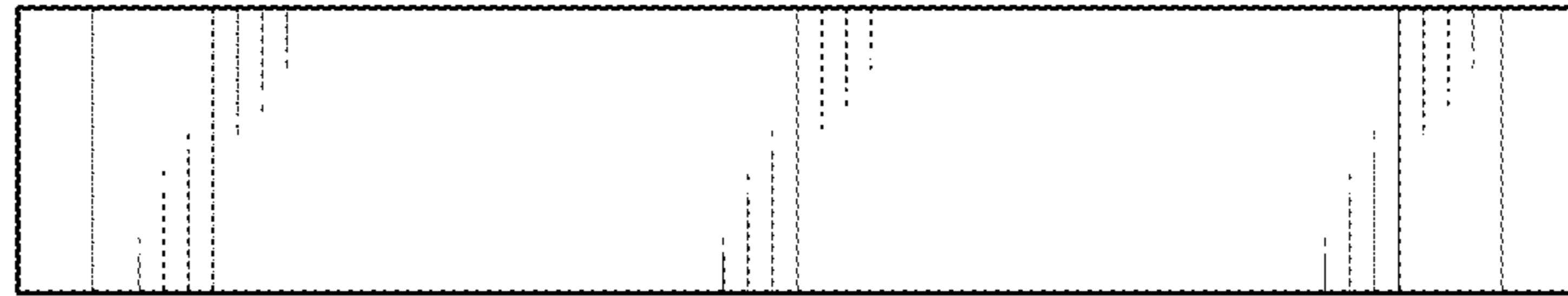


FIG. 3

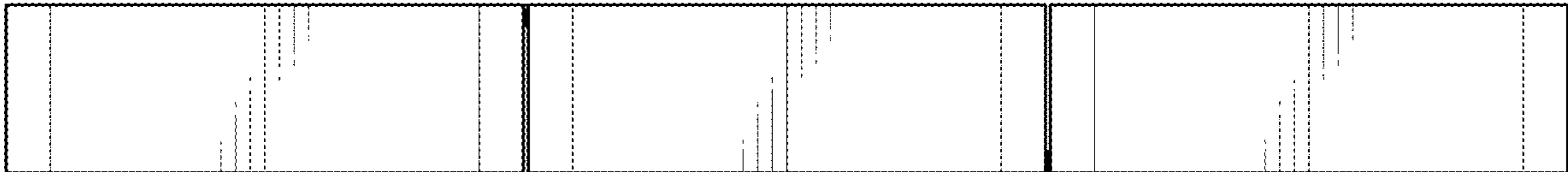


FIG. 4

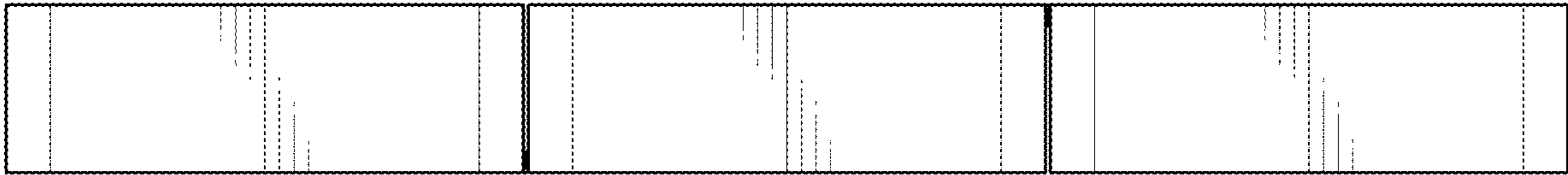


FIG. 5

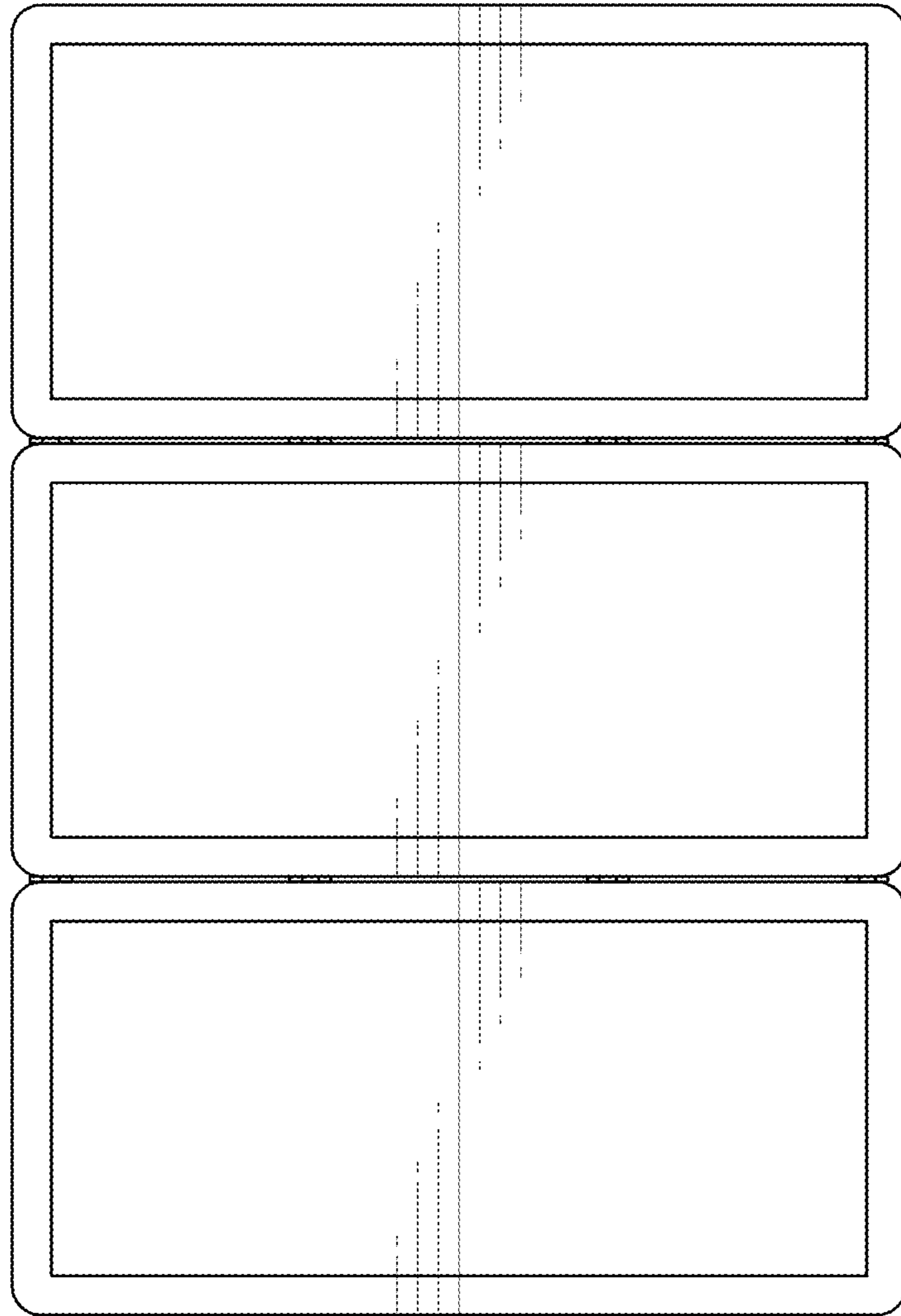


FIG. 6

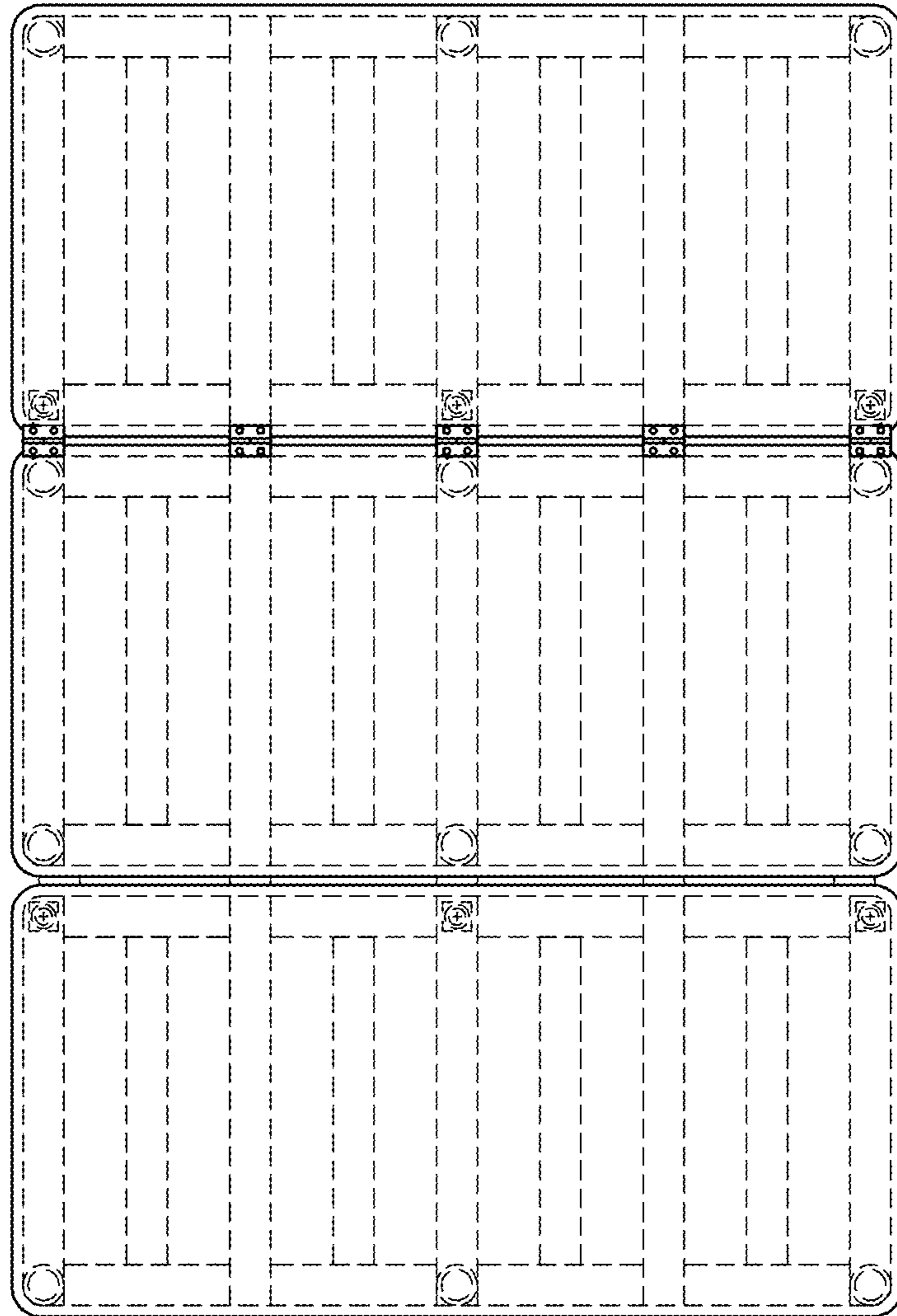


FIG. 7

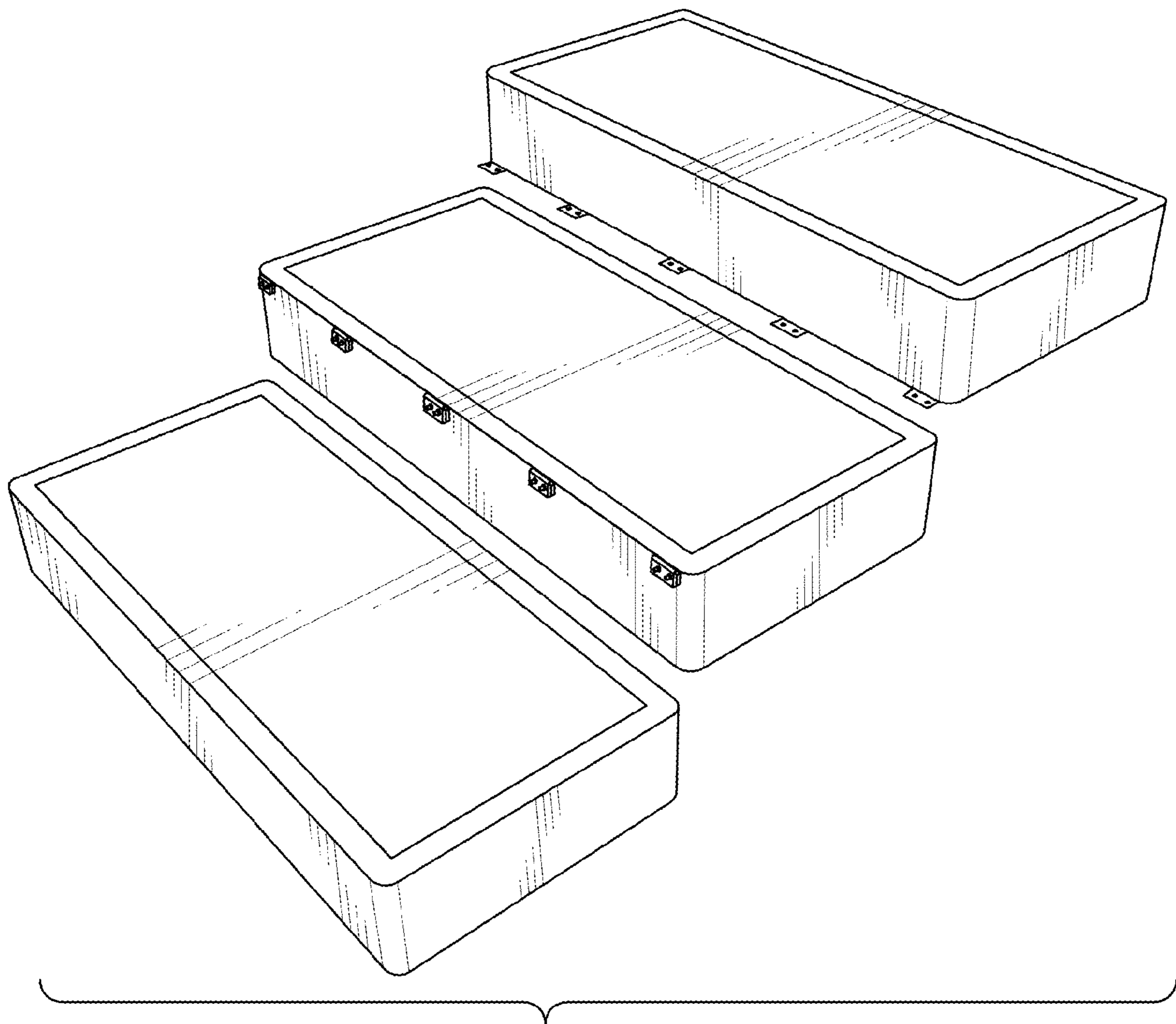


FIG. 8