

US00D944565S

(12) **United States Design Patent**
Betts

(10) **Patent No.:** **US D944,565 S**

(45) **Date of Patent:** **** Mar. 1, 2022**

(54) **NECK PILLOW**

(71) Applicant: **Joyce T. Betts**, Huntsville, AL (US)

(72) Inventor: **Joyce T. Betts**, Huntsville, AL (US)

(**) Term: **15 Years**

(21) Appl. No.: **29/754,349**

(22) Filed: **Oct. 9, 2020**

(51) **LOC (13) Cl.** **06-09**

(52) **U.S. Cl.**
USPC **D6/601**

(58) **Field of Classification Search**

USPC D6/595-601, 603, 604, 611; D21/803,
D21/804; D24/183
CPC A47C 7/12; A47C 7/021; A47C 7/383;
A47C 7/425; A47C 7/428; A47C 7/546;
A47C 16/00; A47C 20/00; A47C 20/02;
A47C 20/021; A47C 20/026; A47C
20/027; A47C 31/11; A47C 27/001; A47C
27/081; A47C 1/146; A47G 9/00; A47G
9/10; A47G 9/07; A47G 9/1027; A47G
9/1045; A47G 9/1054; A47G 9/1063;
A47G 9/1072; A47G 9/1081; A47G
9/109; A47G 2009/1018; A47G
2009/1036

See application file for complete search history.

(56) **References Cited**

U.S. PATENT DOCUMENTS

3,848,281 A * 11/1974 Mathews A47G 9/10
5/636
6,058,517 A * 5/2000 Hartunian A41D 13/0512
2/468

D456,516 S * 4/2002 Chshaek 5/638
D666,993 S * 9/2012 Kelley D14/205
D773,212 S * 12/2016 Krishtul D6/601
9,554,662 B2 * 1/2017 Law A47G 9/1081
D804,852 S * 12/2017 Glaze D6/601
11,000,139 B1 * 5/2021 Dutt A47G 9/1027
D925,251 S * 7/2021 Singh D6/601
2015/0196851 A1 * 7/2015 Myers A47G 9/1045
446/80
2017/0095096 A1 * 4/2017 Mandell A47G 9/10

* cited by examiner

Primary Examiner — Jennifer L Rempfer

(74) *Attorney, Agent, or Firm* — Walter A. Rodgers

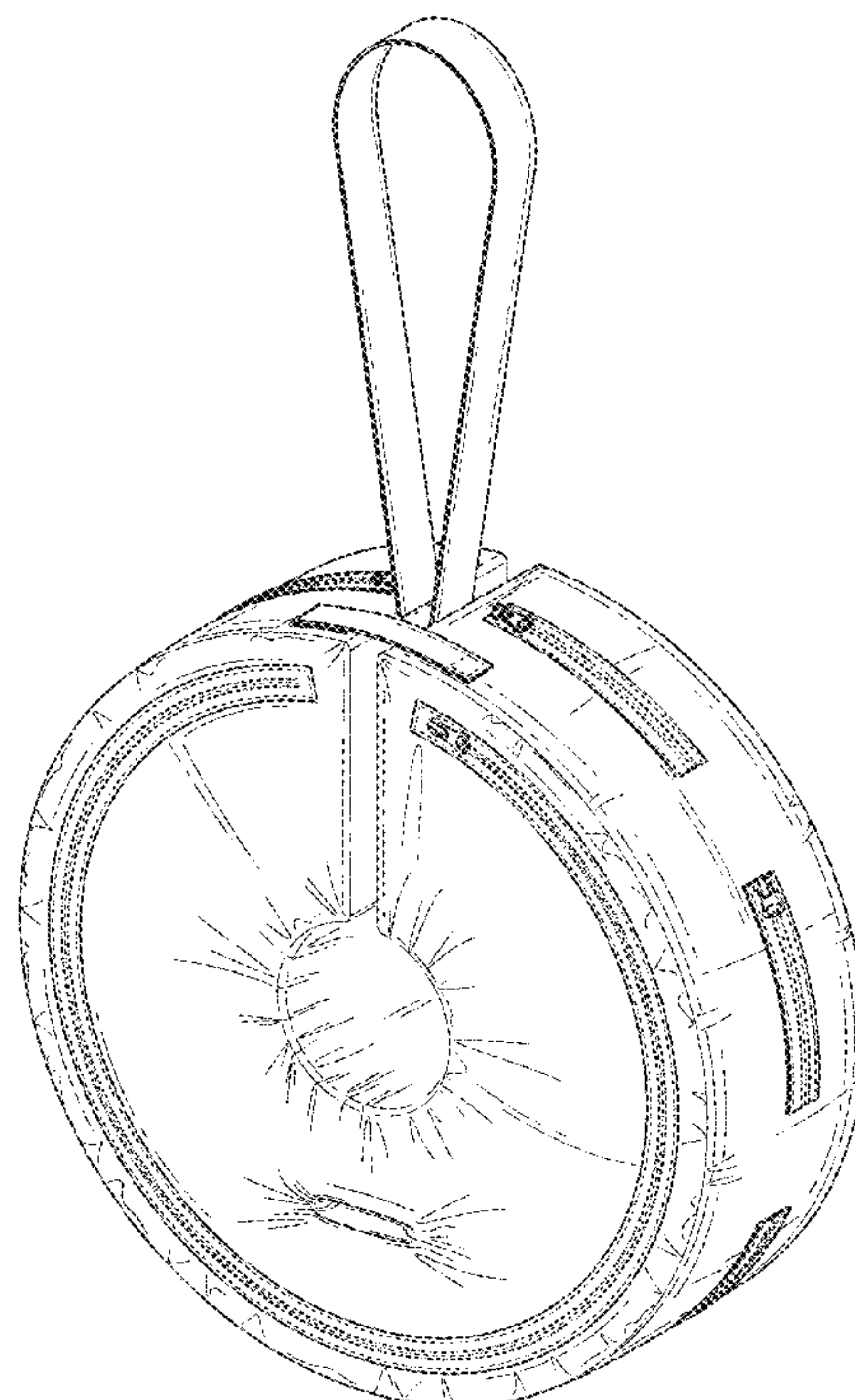
(57) **CLAIM**

The ornamental design for a neck pillow, as shown and described.

DESCRIPTION

FIG. 1 is a perspective view of a neck pillow showing my new design;
FIG. 2 is a front elevation view thereof;
FIG. 3 is a rear elevation view thereof;
FIG. 4 is a right-side elevation view thereof;
FIG. 5 is a left-side elevation view thereof;
FIG. 6 is a top plan view thereof;
FIG. 7 is a bottom plan view thereof;
FIG. 8 is a perspective view thereof with two of the side pockets in an open condition; and,
FIG. 9 is a front elevation view thereof with a portion of the main zipper in an open condition.
The broken lines show stitching and zipper features of the design that form no part of the claim.

1 Claim, 9 Drawing Sheets



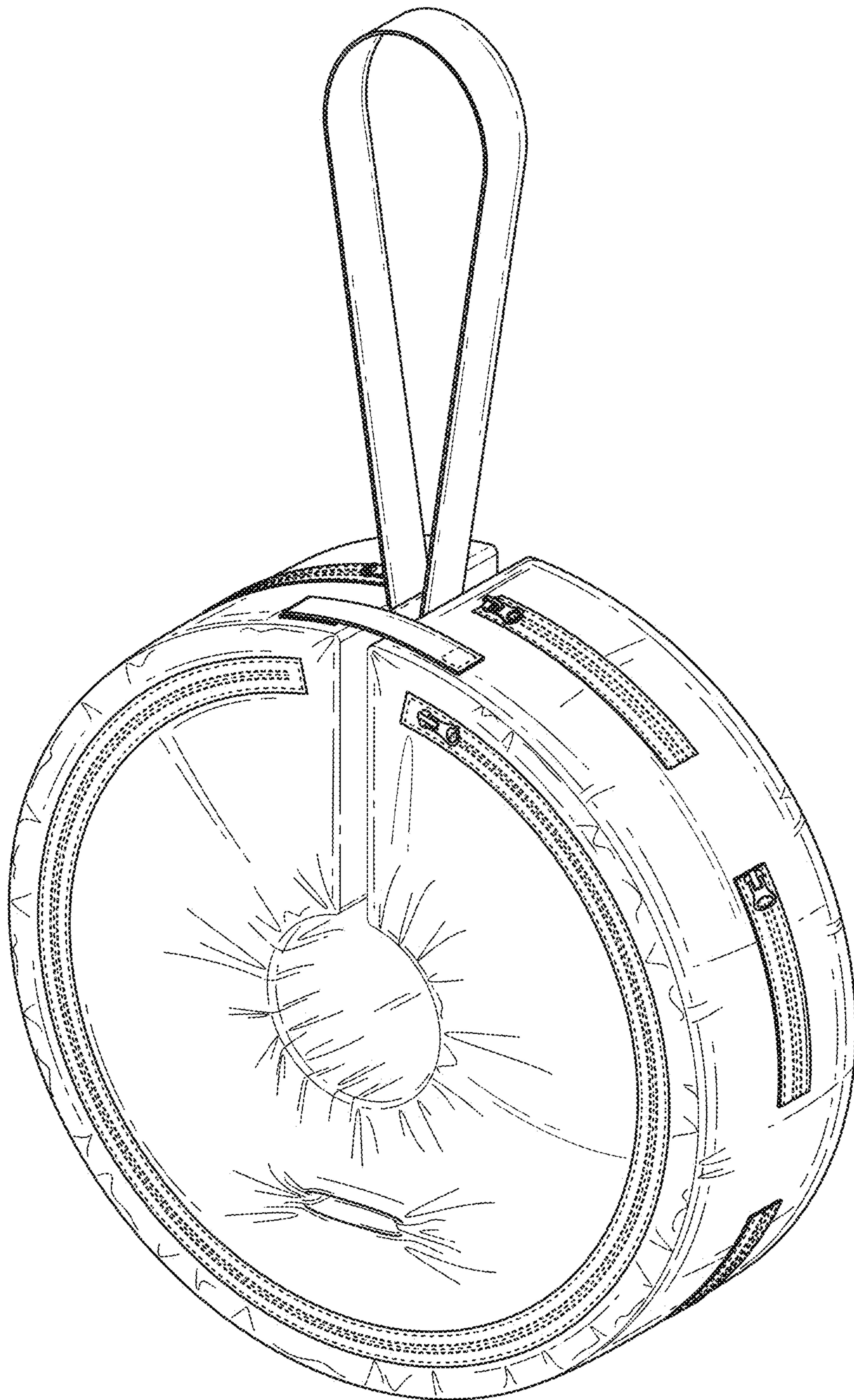


FIG. 1

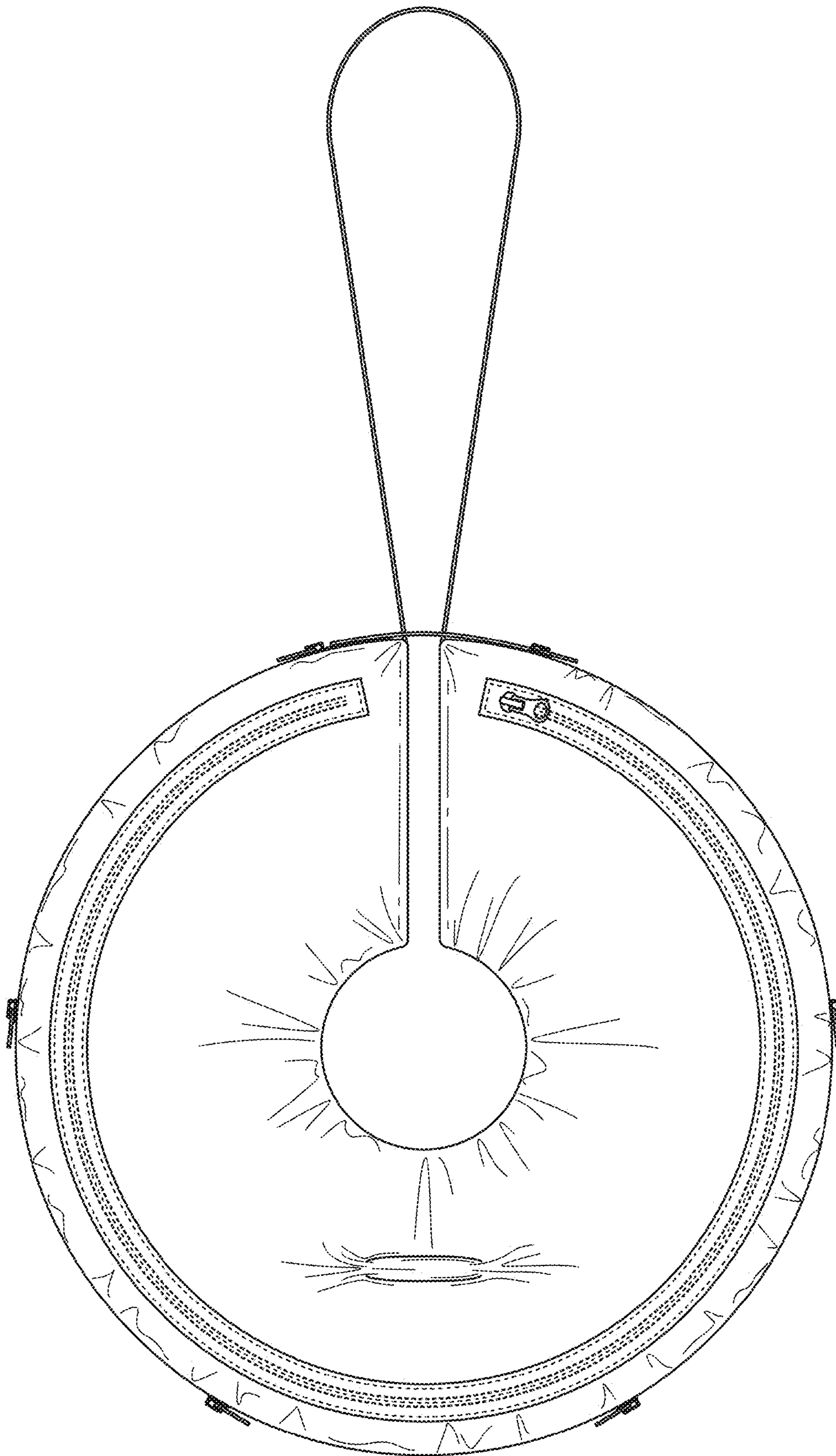


FIG. 2

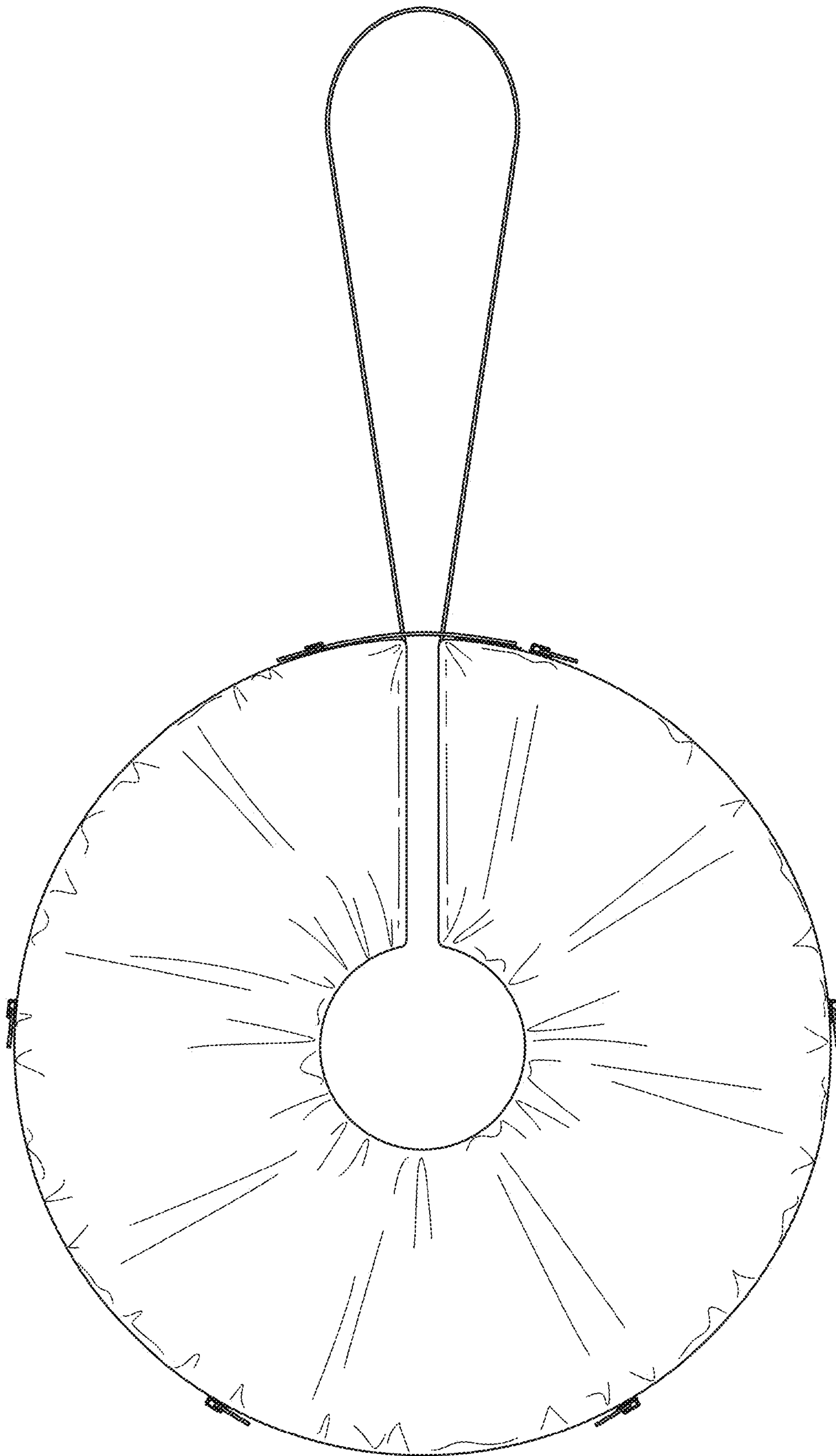


FIG. 3

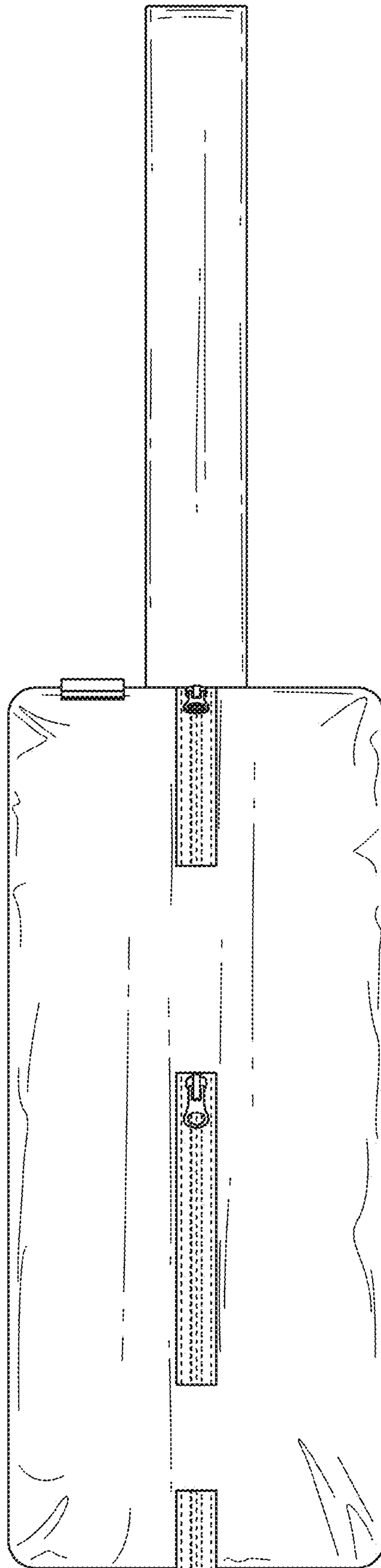


FIG. 4

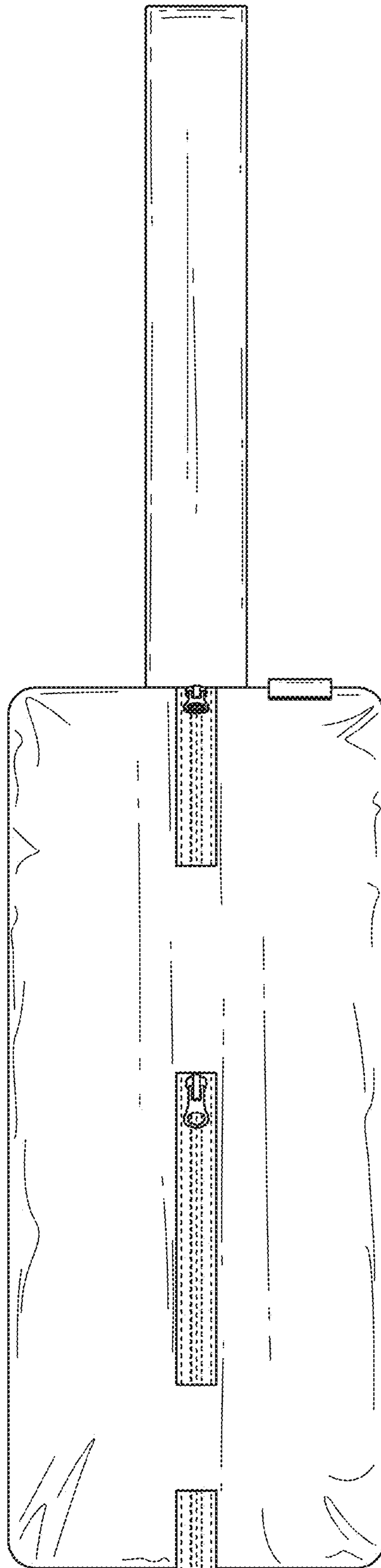


FIG. 5

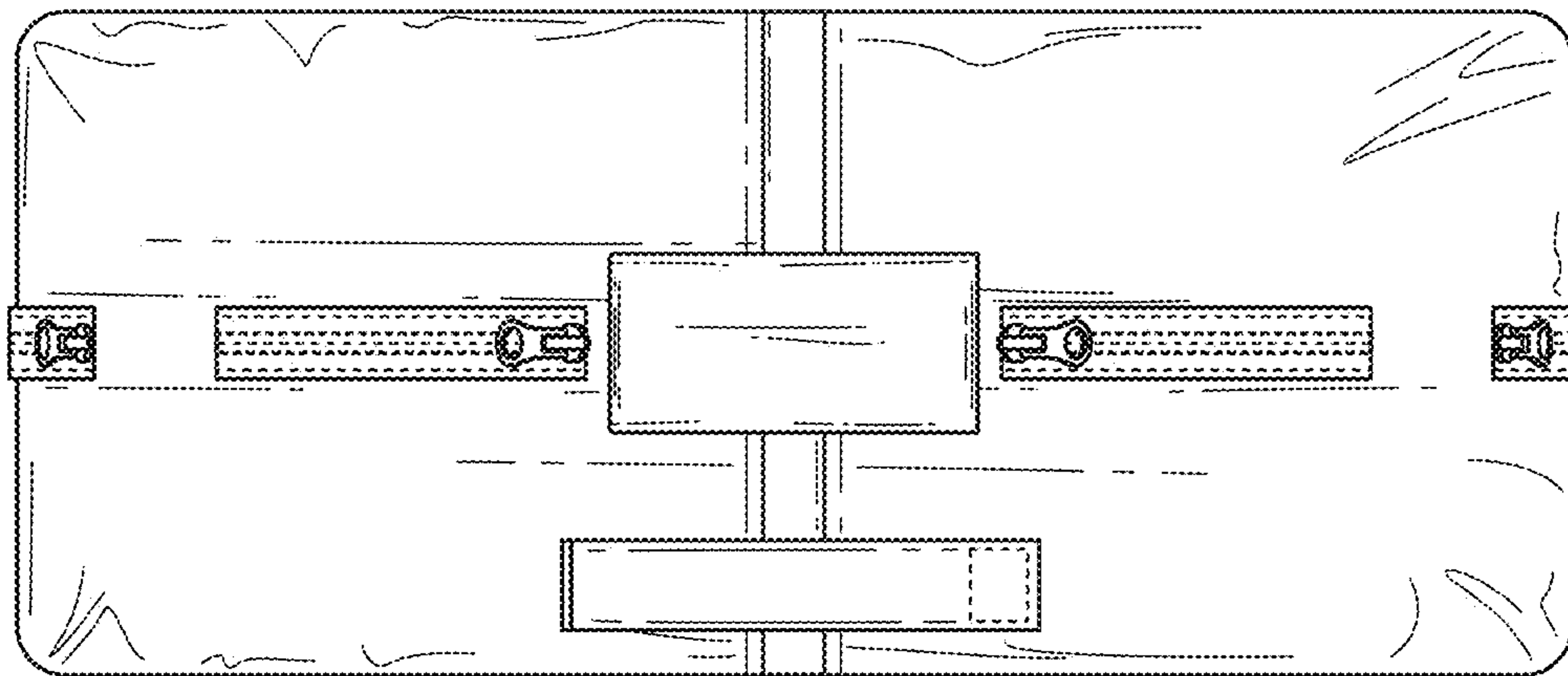


FIG. 6

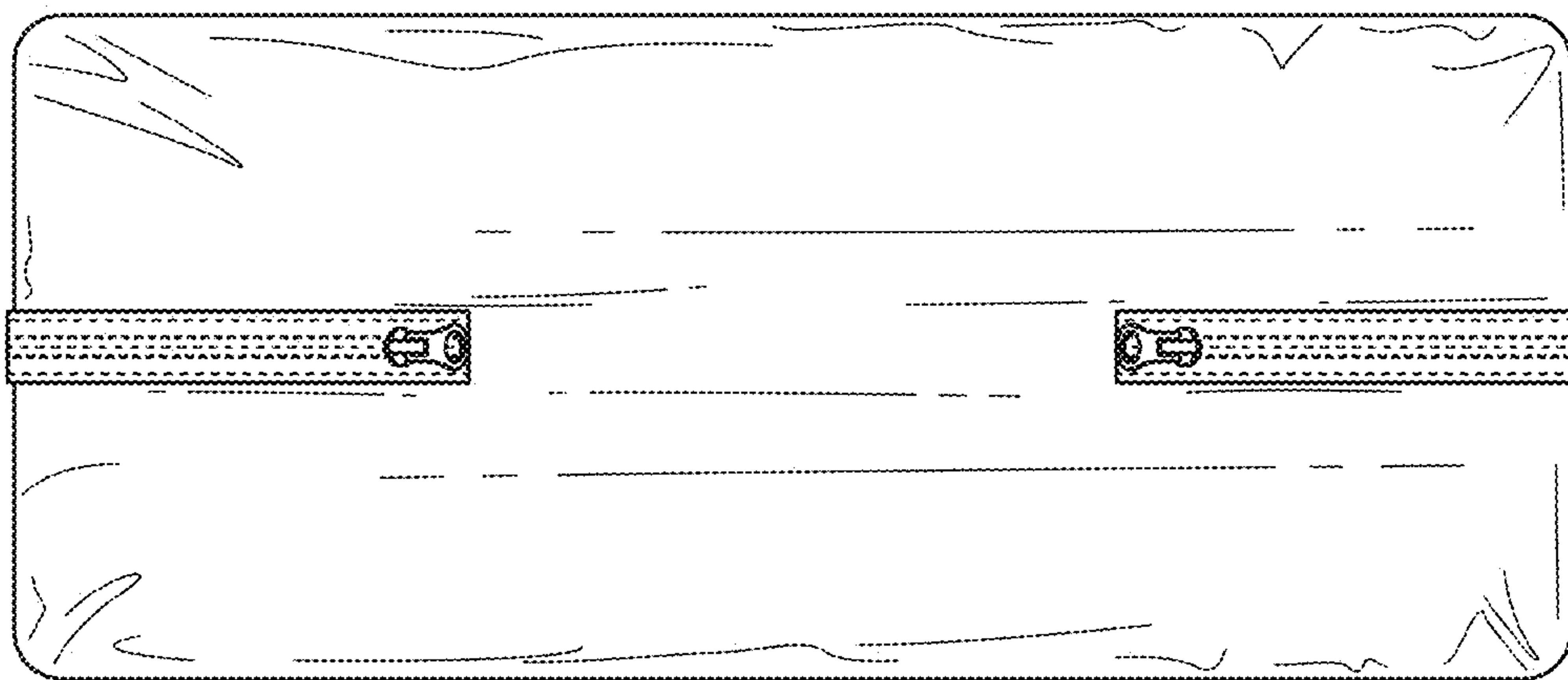


FIG. 7

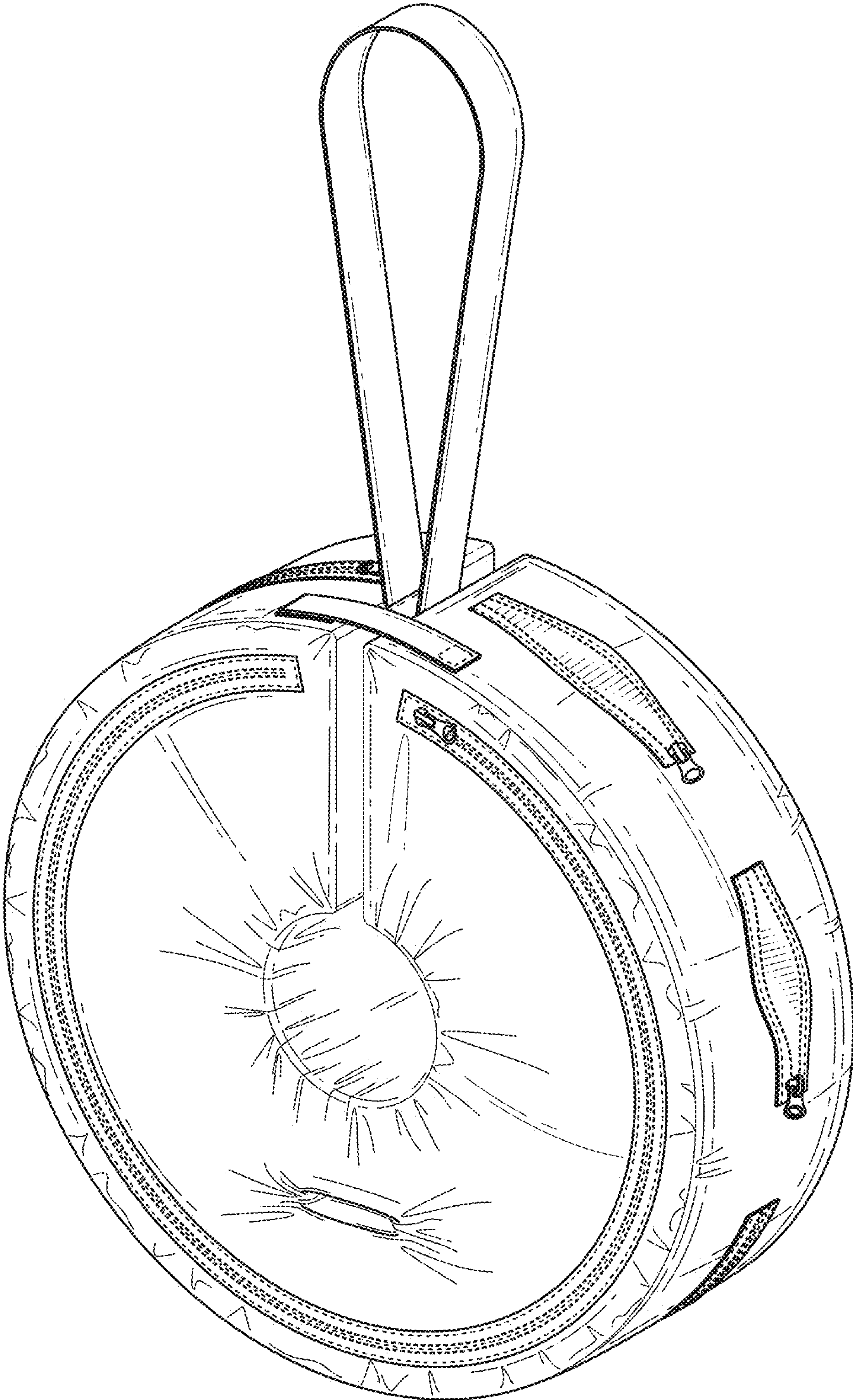


FIG. 8

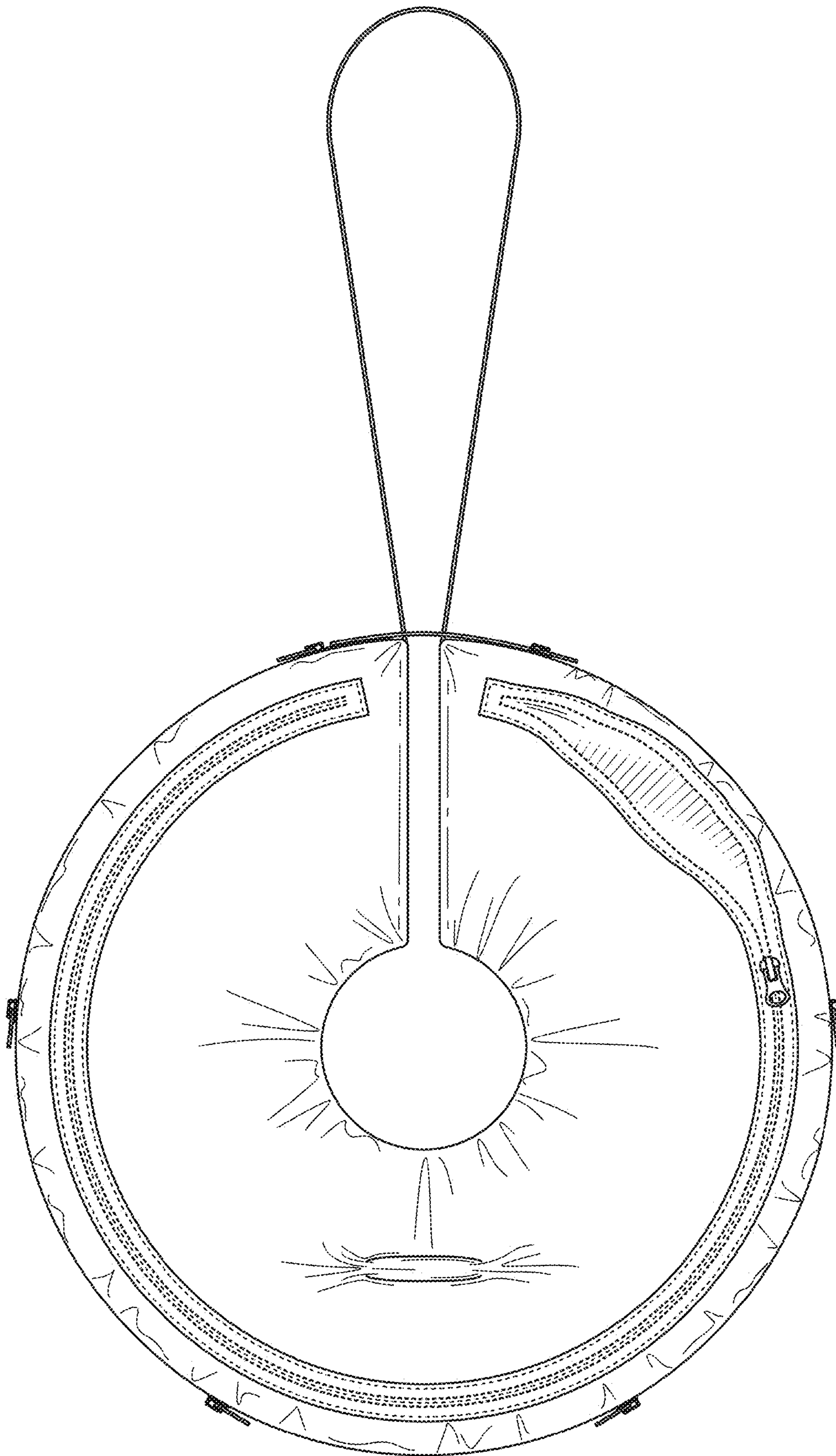


FIG. 9