



US00D944563S

(12) **United States Design Patent**  
**Gleason**

(10) **Patent No.:** **US D944,563 S**

(45) **Date of Patent:** **\*\* Mar. 1, 2022**

(54) **BACKREST**

(71) Applicant: **Richard Gleason**, Tujunga, CA (US)

(72) Inventor: **Richard Gleason**, Tujunga, CA (US)

(\*\*) Term: **15 Years**

(21) Appl. No.: **29/736,428**

(22) Filed: **May 29, 2020**

(51) **LOC (13) Cl.** ..... **06-09**

(52) **U.S. Cl.**  
USPC ..... **D6/601**

(58) **Field of Classification Search**  
USPC ..... D6/582-583, 587-592, 595-609,  
D6/617-622; D21/803-809; D24/183  
CPC ..... A47G 9/00; A47G 2009/001; A47G  
2009/002; A47G 2009/003; A47G 9/10;  
A47G 9/1009; A47G 2009/1018; A47G  
9/1045; A47G 9/1081; A47G 9/109  
See application file for complete search history.

(56) **References Cited**

**U.S. PATENT DOCUMENTS**

D308,613 S *	6/1990	Clark	.....	D6/601
D330,989 S *	11/1992	Evans	.....	D6/601
D342,857 S *	1/1994	Mocur	.....	D24/190
D349,474 S *	8/1994	Mocur	.....	D12/133
5,692,246 A *	12/1997	Benedick	.....	A41D 13/1245 2/455
8,261,384 B2 *	9/2012	Batiste	.....	A47C 7/425 5/634
D790,255 S *	6/2017	Mi	.....	D6/601

D793,768 S *	8/2017	Goddard	.....	D6/601
D853,152 S *	7/2019	Chen	.....	D6/601
D888,462 S *	6/2020	Gang	.....	D6/601
D898,427 S *	10/2020	Chen	.....	D6/601
2009/0309399 A1 *	12/2009	Liu	.....	A47C 7/46 297/230.1

\* cited by examiner

*Primary Examiner* — Jennifer L Rempfer

(74) *Attorney, Agent, or Firm* — Foley & Lardner LLP

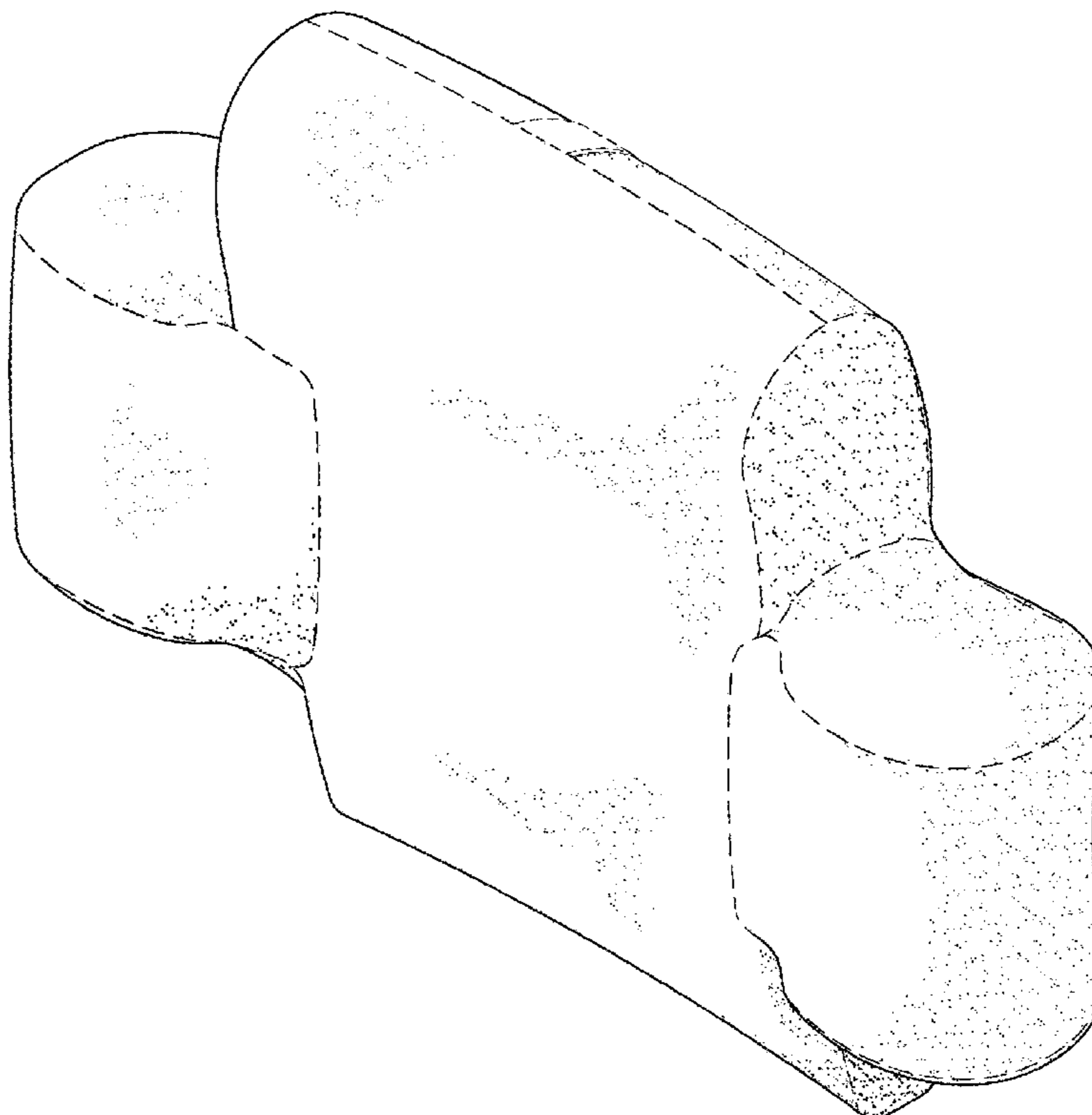
(57) **CLAIM**

An ornamental design for a backrest, as shown and described.

**DESCRIPTION**

FIG. 1 is a front perspective view of a backrest;  
 FIG. 2 is a front elevational view thereof;  
 FIG. 3 is a rear elevational view thereof;  
 FIG. 4 is a left-side elevational view thereof;  
 FIG. 5 is a right-side elevational view thereof;  
 FIG. 6 is a top view thereof;  
 FIG. 7 is a bottom view thereof; and,  
 FIG. 8 is a bottom rear perspective view thereof.  
 The broken lines shown as long dashed lines are representative of seam lines, and form no part of the claimed design.  
 The broken lines shown as short dashed lines are for the purpose of illustrating unclaimed structure, and form no part of the claimed design.

**1 Claim, 6 Drawing Sheets**



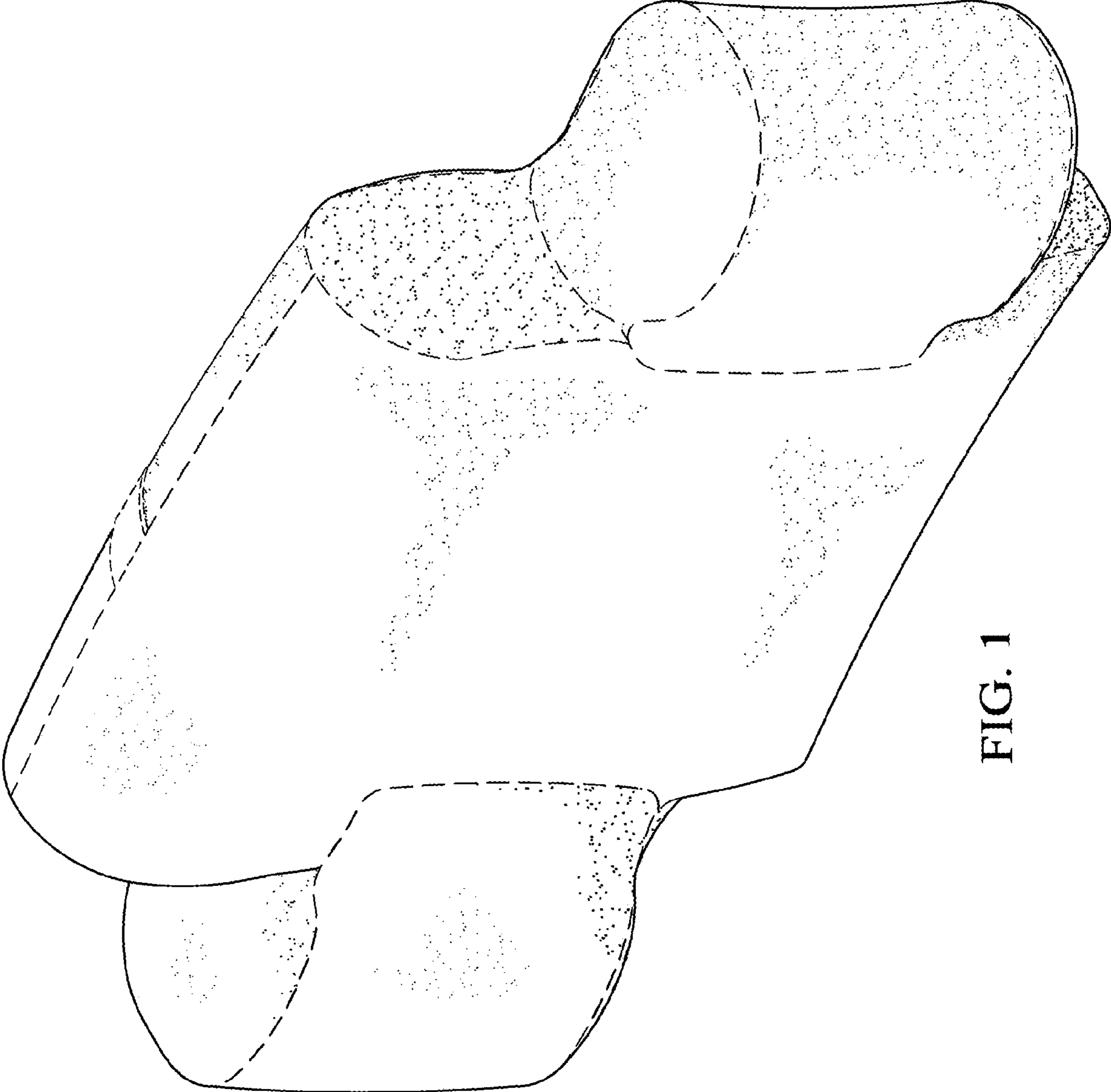


FIG. 1

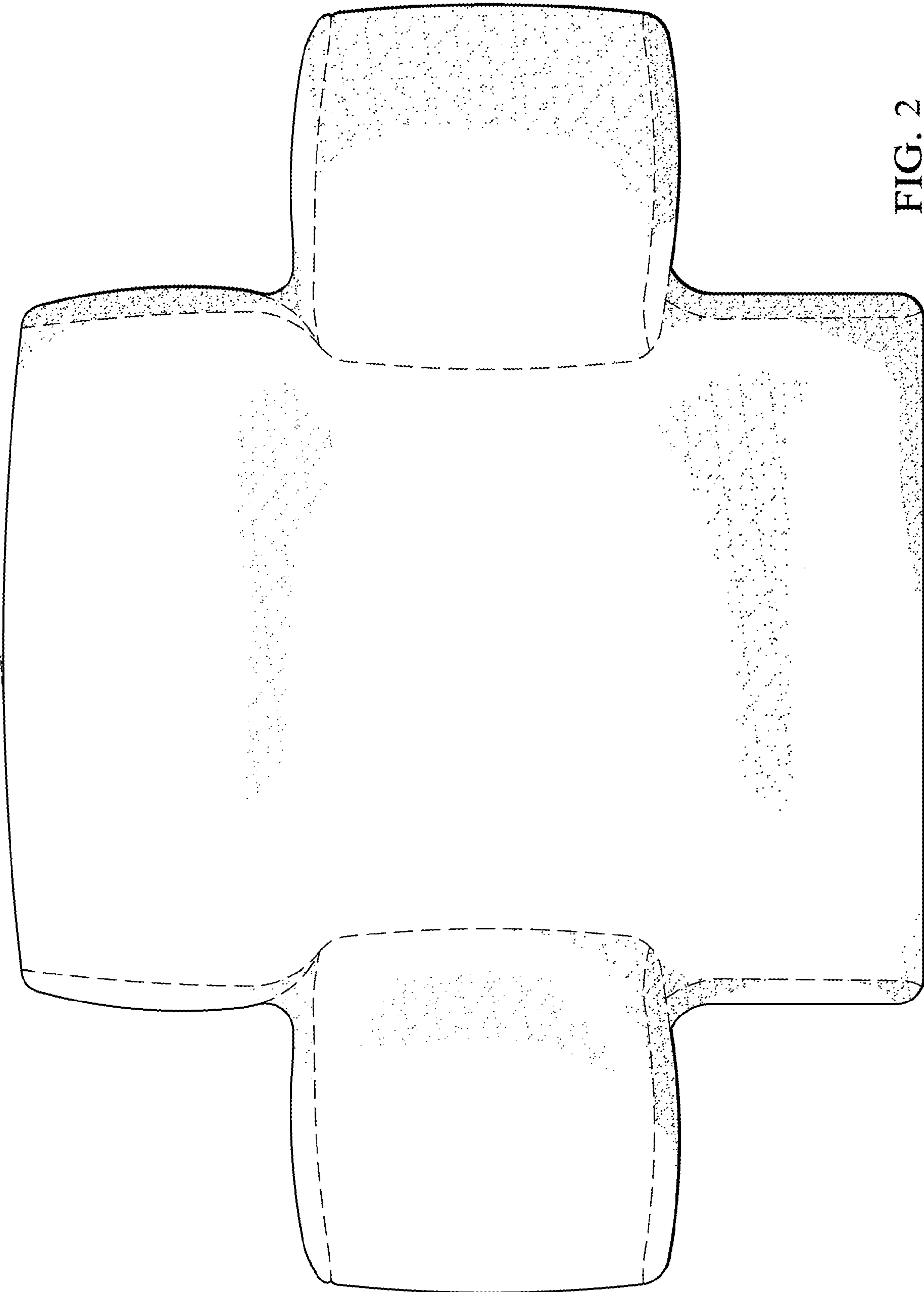


FIG. 2

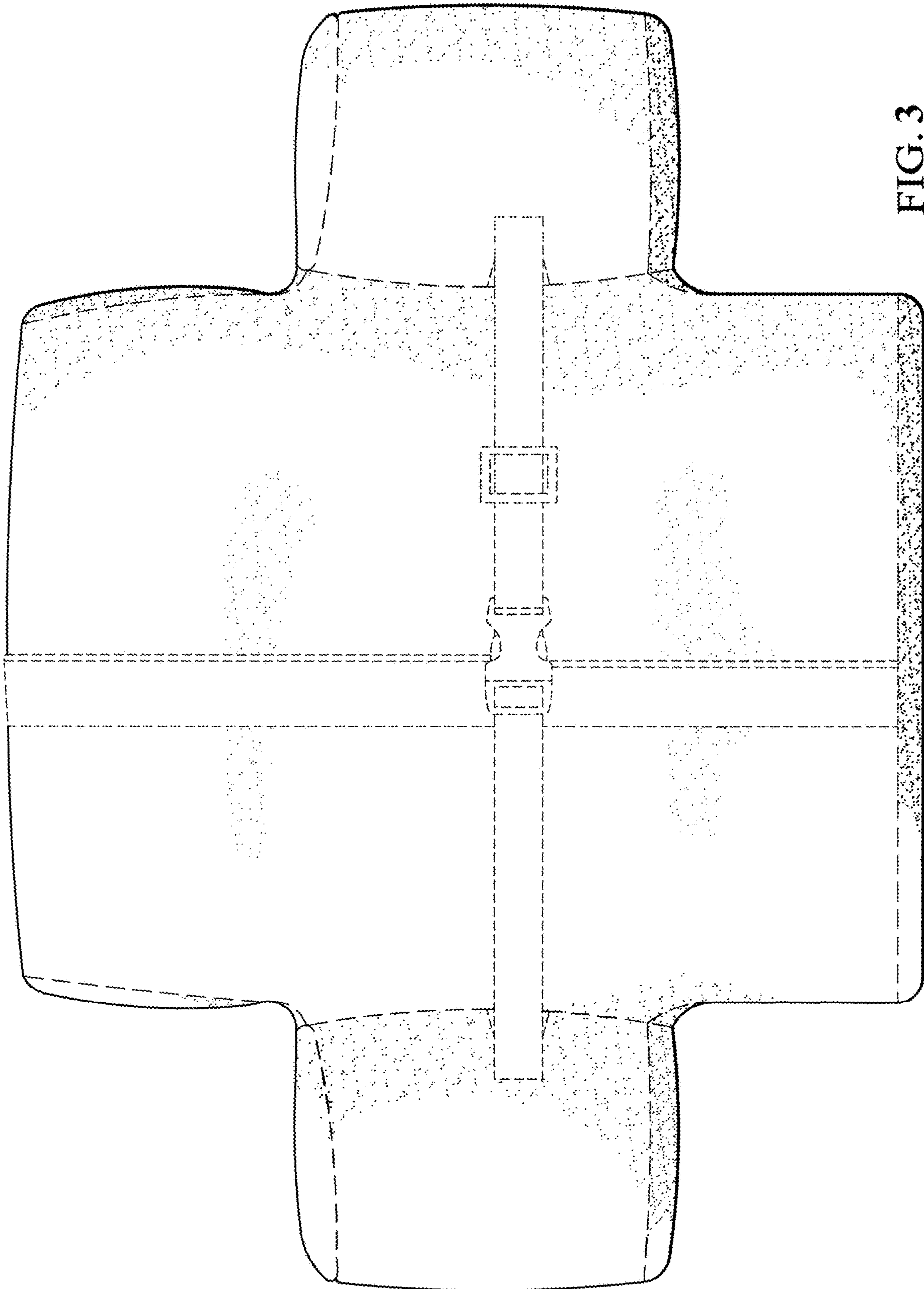


FIG. 3

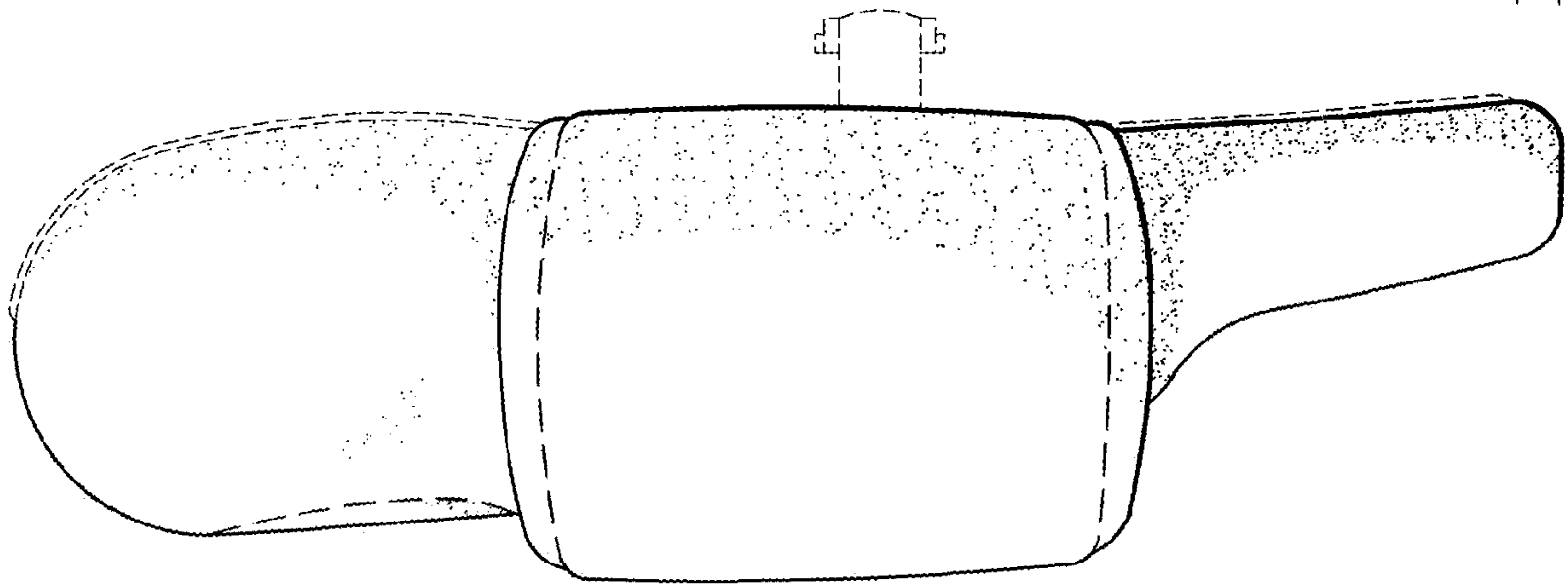


FIG. 5

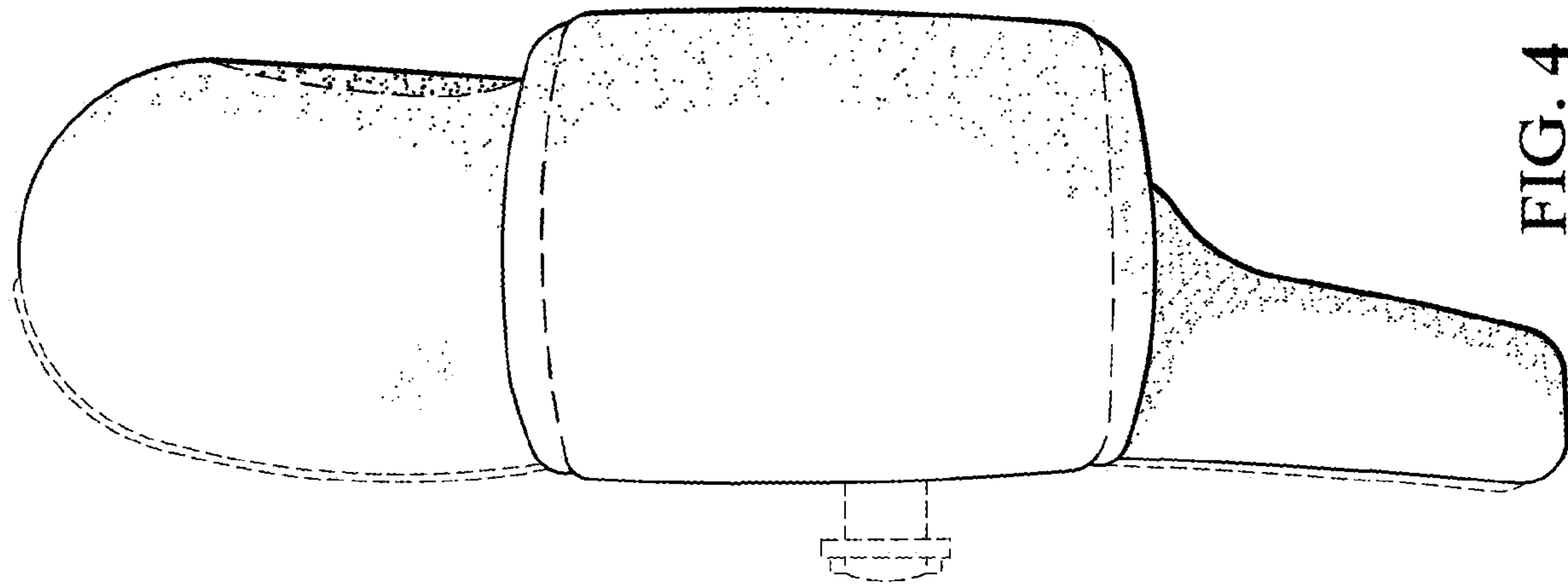


FIG. 4

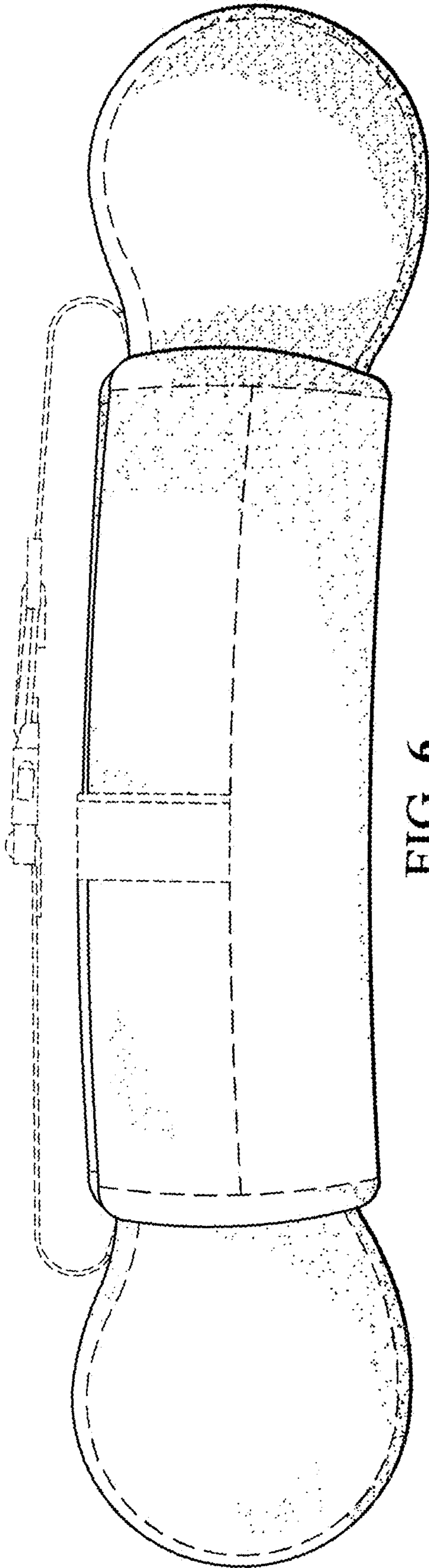


FIG. 6

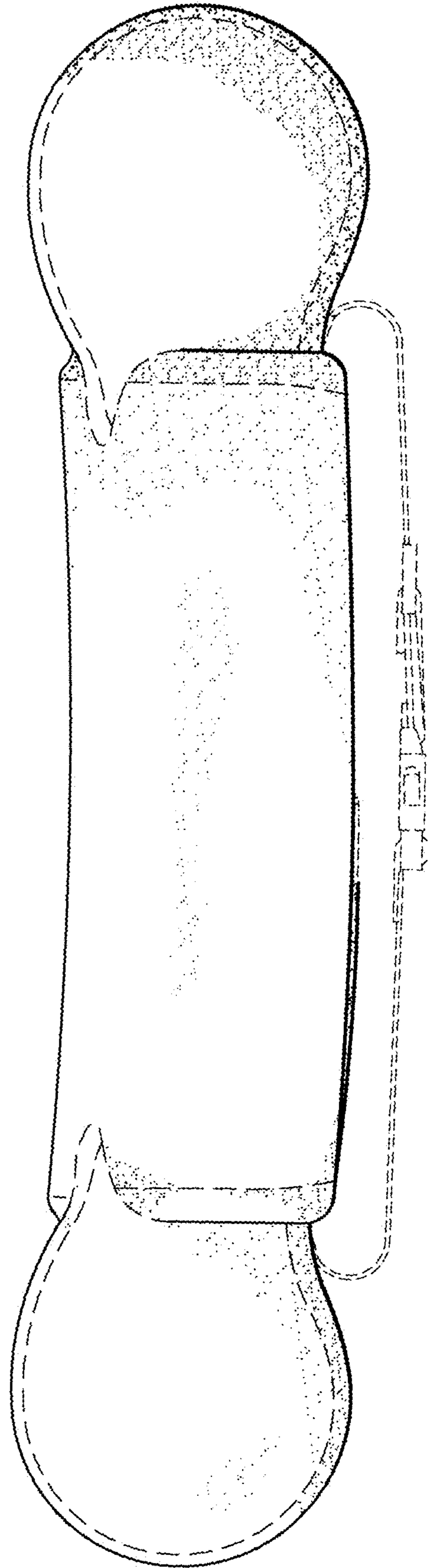


FIG. 7

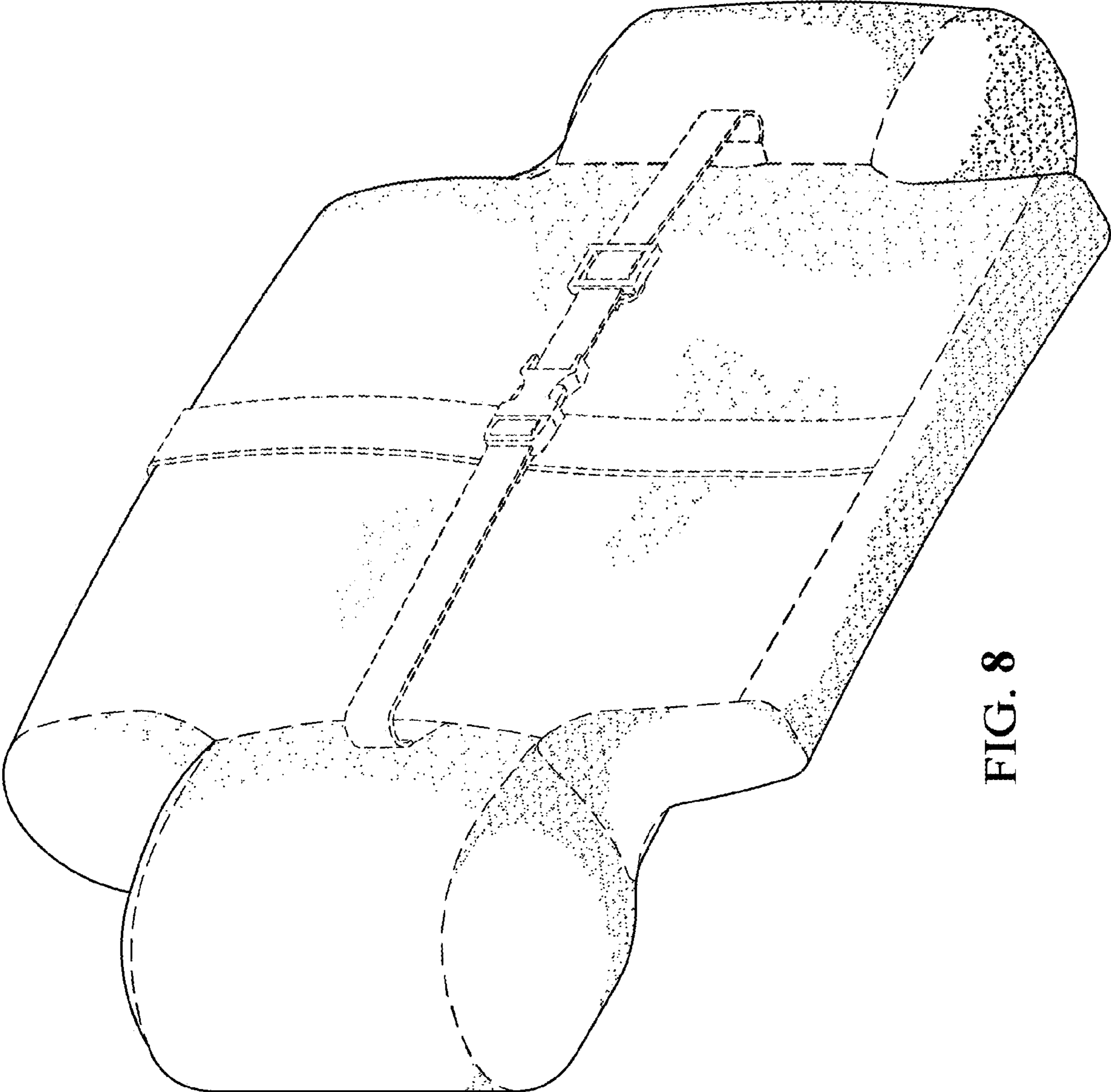


FIG. 8