



US00D944561S

(12) **United States Design Patent**
Richardson

(10) **Patent No.:** **US D944,561 S**

(45) **Date of Patent:** **** Mar. 1, 2022**

(54) **TRAVEL PILLOW**

(71) Applicant: **TravelBob, LLC**, Denver, CO (US)

(72) Inventor: **Robert C. Richardson**, Denver, CO (US)

(73) Assignee: **Travelbob, LLC**, Denver, CO (US)

(**) Term: **15 Years**

(21) Appl. No.: **29/724,687**

(22) Filed: **Feb. 18, 2020**

(51) **LOC (13) Cl.** **06-09**

(52) **U.S. Cl.**
USPC **D6/601; D6/604**

(58) **Field of Classification Search**
USPC D6/582-583, 587-592, 595-609,
D6/617-622; D21/803-809; D24/183
CPC A47G 9/00; A47G 2009/001; A47G
2009/002; A47G 2009/003; A47G 9/10;
A47G 9/1009; A47G 2009/1018; A47G
9/1045; A47G 9/1081; A47G 9/109
See application file for complete search history.

(56) **References Cited**

U.S. PATENT DOCUMENTS

D255,966	S	*	7/1980	Stadel	5/644
D854,355	S	*	7/2019	Lei	D6/604
D875,438	S	*	2/2020	Liu	D6/601
D899,818	S	*	10/2020	Qu	D6/601
D901,941	S	*	11/2020	Blanc	D6/601
D906,734	S	*	1/2021	Liang	D6/601
D922,796	S	*	6/2021	Yu	D6/601
2017/0042352	A1	*	2/2017	Atkinson	A47G 9/1081
2017/0086607	A1	*	3/2017	Wong	A47C 7/383
2018/0125271	A1	*	5/2018	Blanc	A47C 7/383
2018/0192798	A1	*	7/2018	Song	A47C 27/082
2018/0206648	A1	*	7/2018	Virissimo	A47G 9/1054
2018/0242755	A1	*	8/2018	Redford	A47D 13/083

2019/0223633	A1	*	7/2019	Stemp	A47G 9/1081
2020/0113339	A1	*	4/2020	Dassi	A42B 1/006
2020/0237123	A1	*	7/2020	Yu	A47C 7/425
2020/0288893	A1	*	9/2020	Emdadi	A47G 9/1081

OTHER PUBLICATIONS

CoolFab Travel Pillow : 10 Features Packed into 1 Pillow , Bob Richardson, Kickstarter.com found at: <https://www.kickstarter.com/projects/1572813242/the-absolute-best-travel-pillow-you-will-ever-own/description> project funding opening May 6, 2019. (Year: 2019).*

* cited by examiner

Primary Examiner — Jennifer L Rempfer

(74) *Attorney, Agent, or Firm* — Holzer Patel Drennan

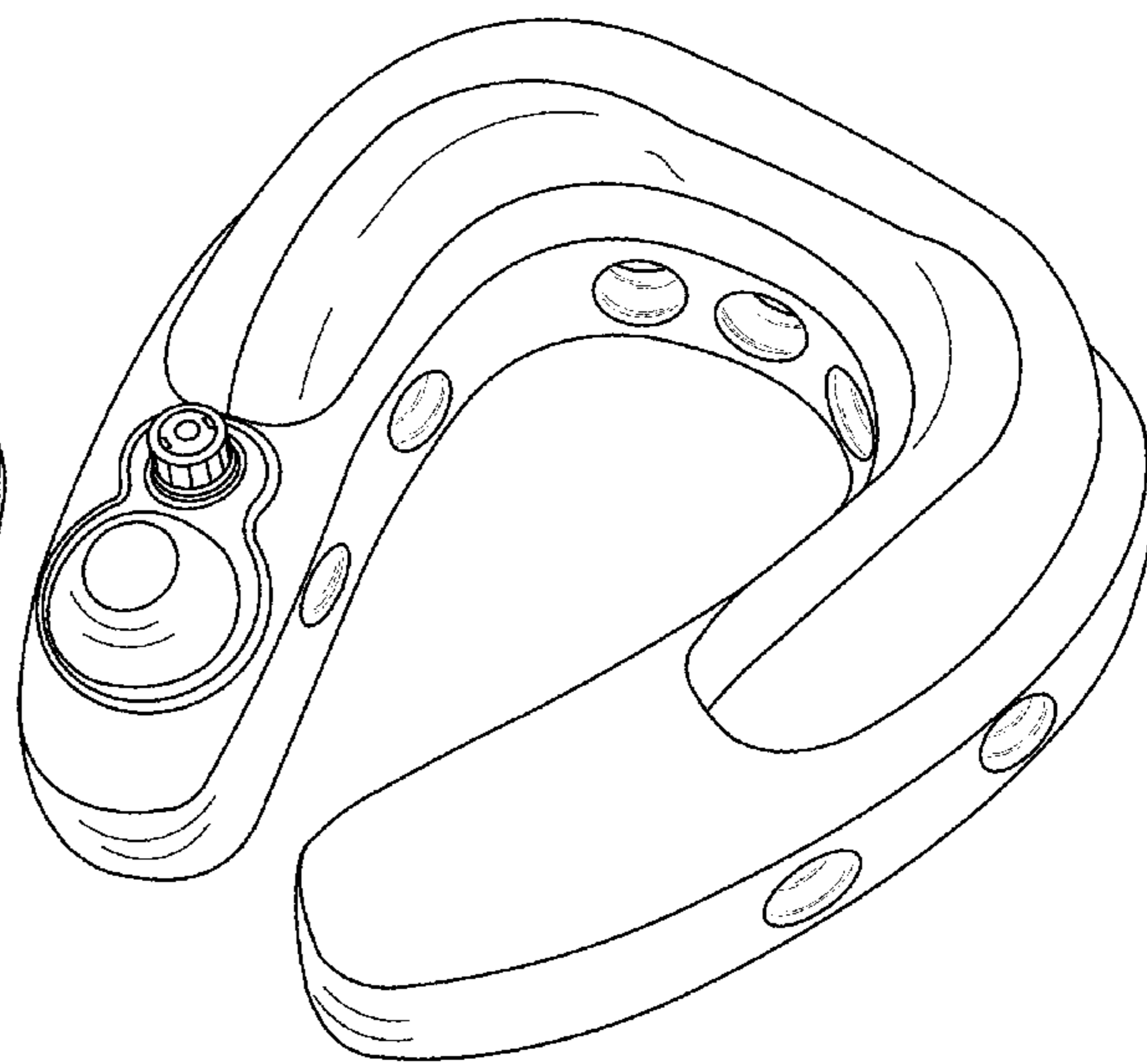
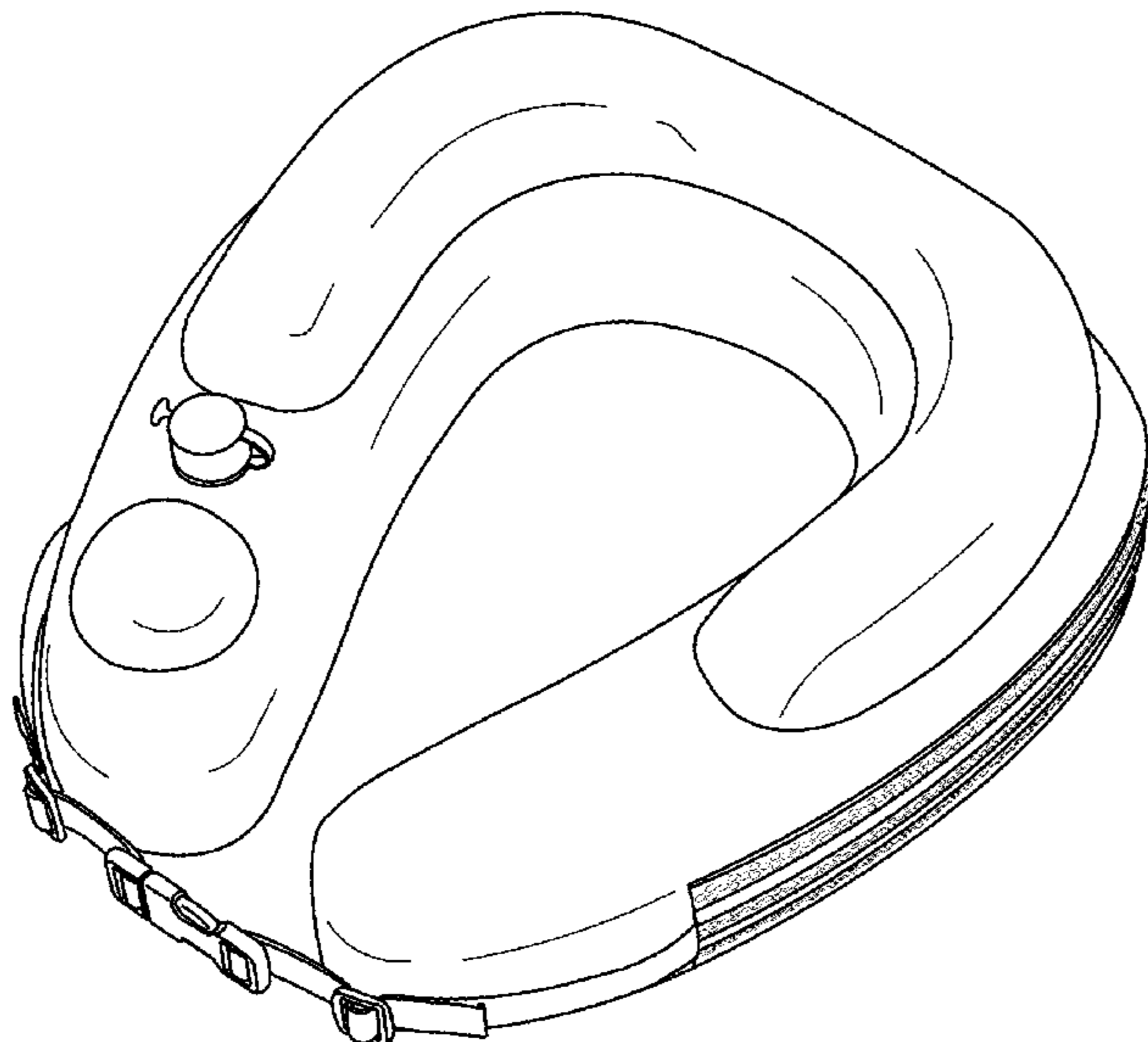
(57) **CLAIM**

The ornamental design for a travel pillow, as shown.

DESCRIPTION

FIG. 1 is a perspective view of a travel pillow in a configuration with a removable cover on the travel pillow; FIG. 2 is a top view of the travel pillow of FIG. 1; FIG. 3 is a bottom view of the travel pillow of FIG. 1; FIG. 4 is a rear view of the travel pillow of FIG. 1; FIG. 5 is a front view of the travel pillow of FIG. 1; FIG. 6 is a right side view of the travel pillow of FIG. 1; FIG. 7 is a left side view of the travel pillow of FIG. 1; FIG. 8 is a perspective view of a travel pillow in a configuration with a removable cover removed from the travel pillow; FIG. 9 is a top view of the travel pillow of FIG. 8; FIG. 10 is a bottom view of the travel pillow of FIG. 8; FIG. 11 is a rear view of the travel pillow of FIG. 8; FIG. 12 is a front view of the travel pillow of FIG. 8; FIG. 13 is a right side view of the travel pillow of FIG. 8; and, FIG. 14 is a left side view of the travel pillow of FIG. 8.

1 Claim, 14 Drawing Sheets



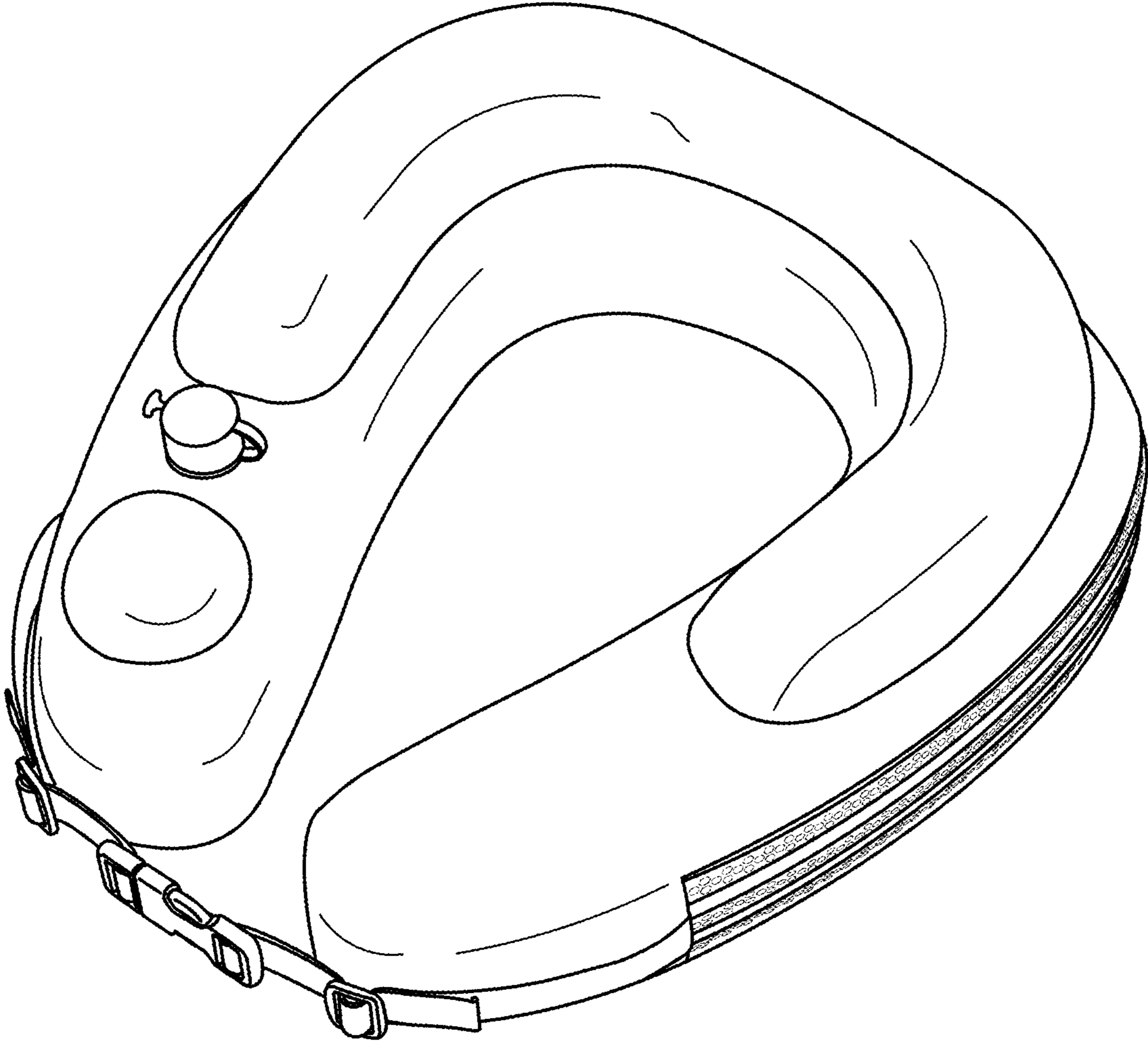


FIG. 1

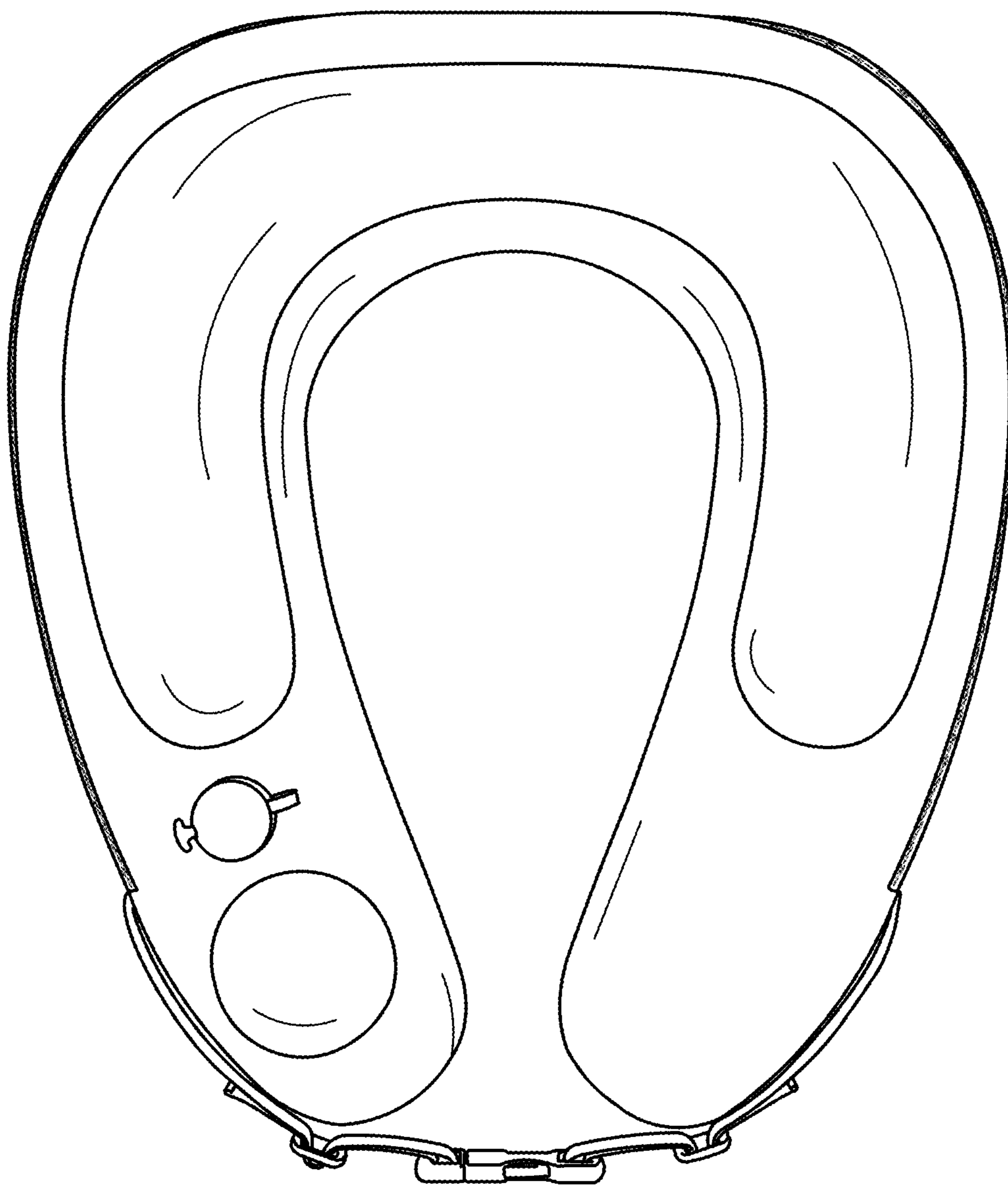


FIG. 2

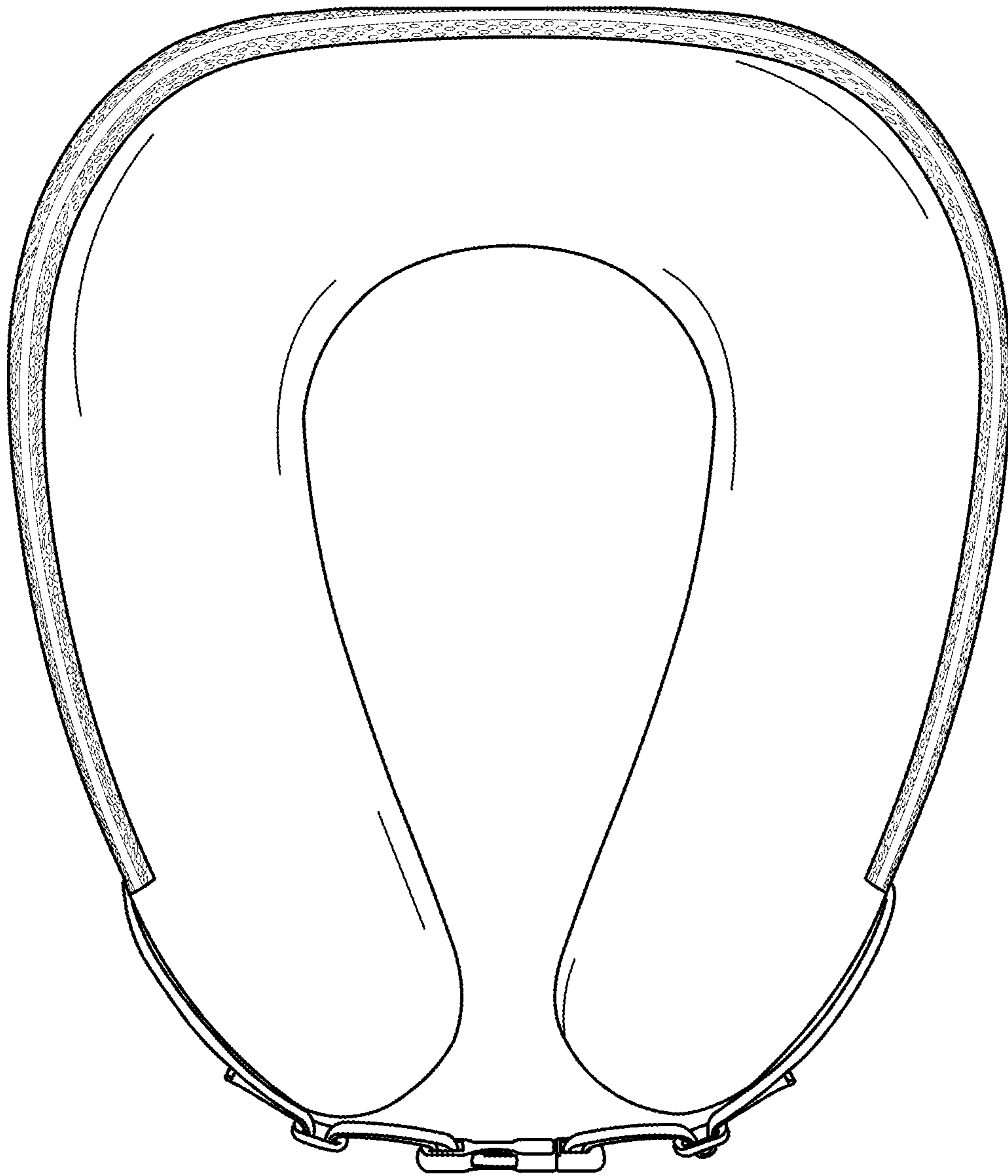


FIG. 3

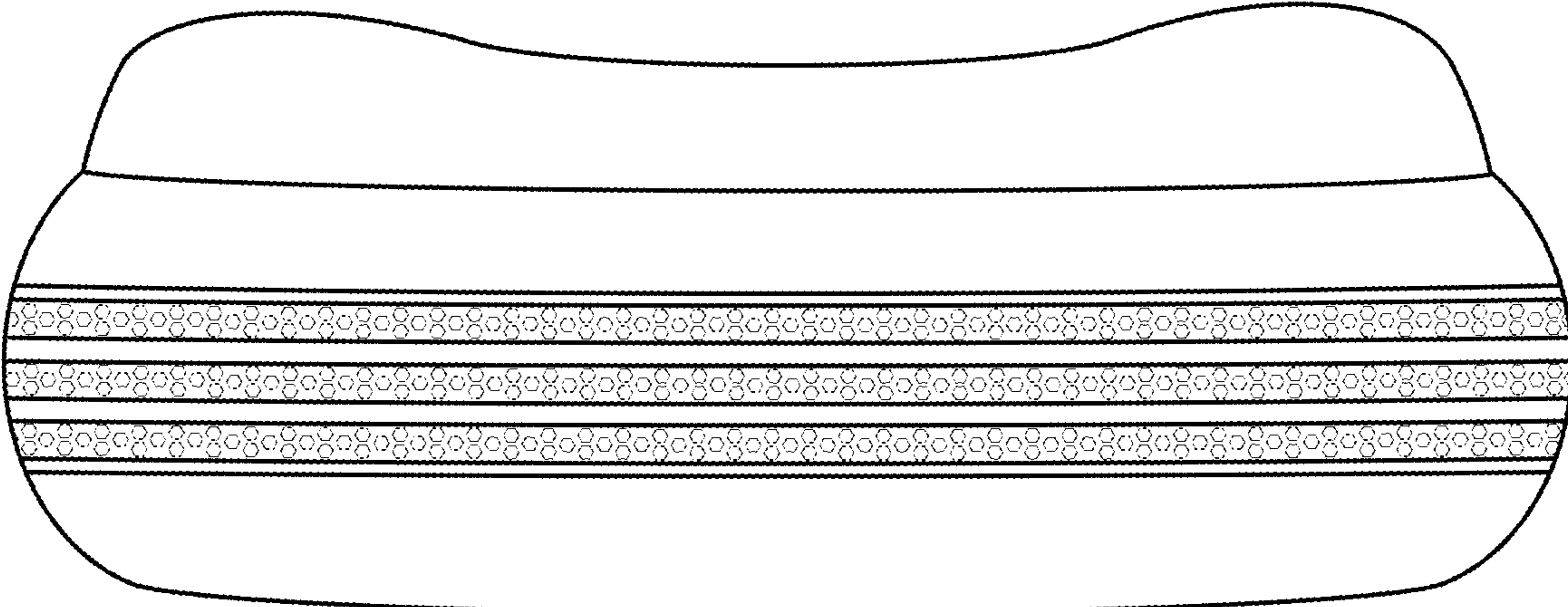


FIG. 4

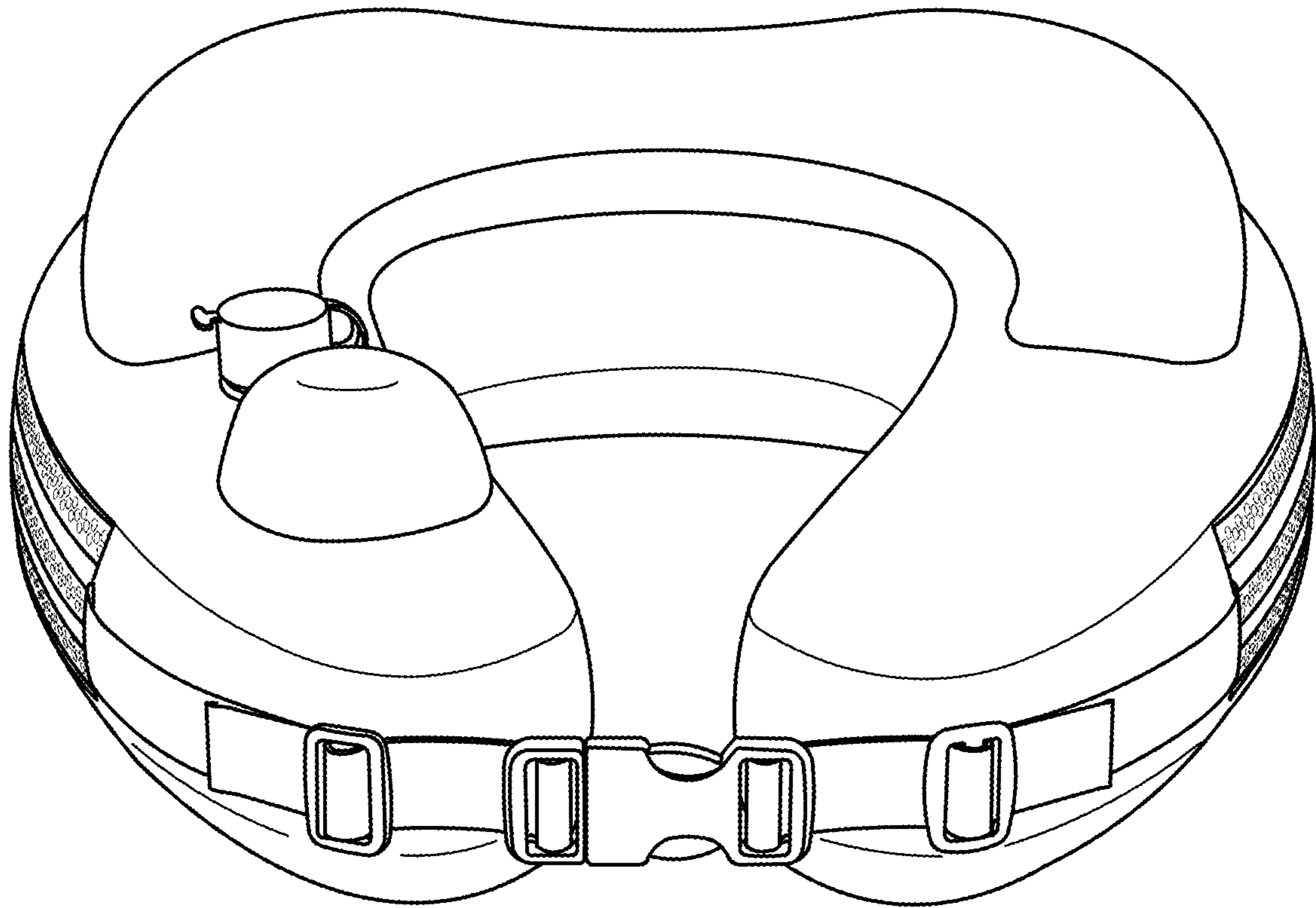


FIG. 5

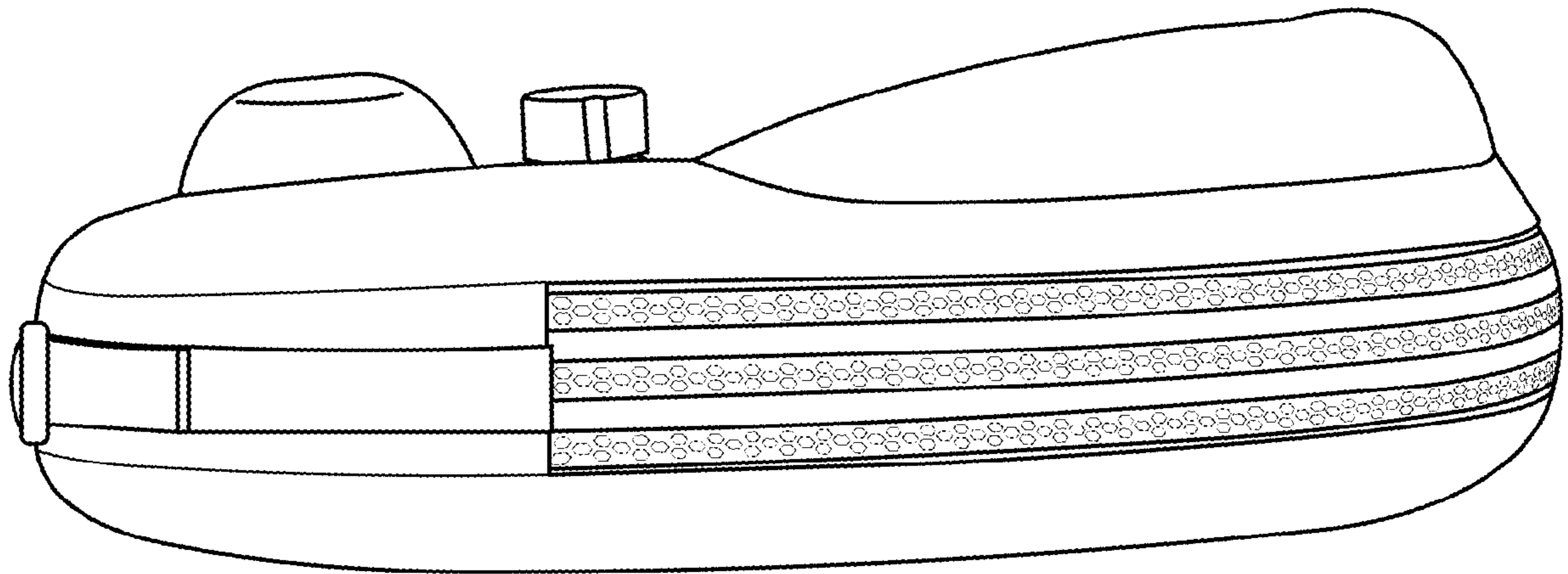


FIG. 6

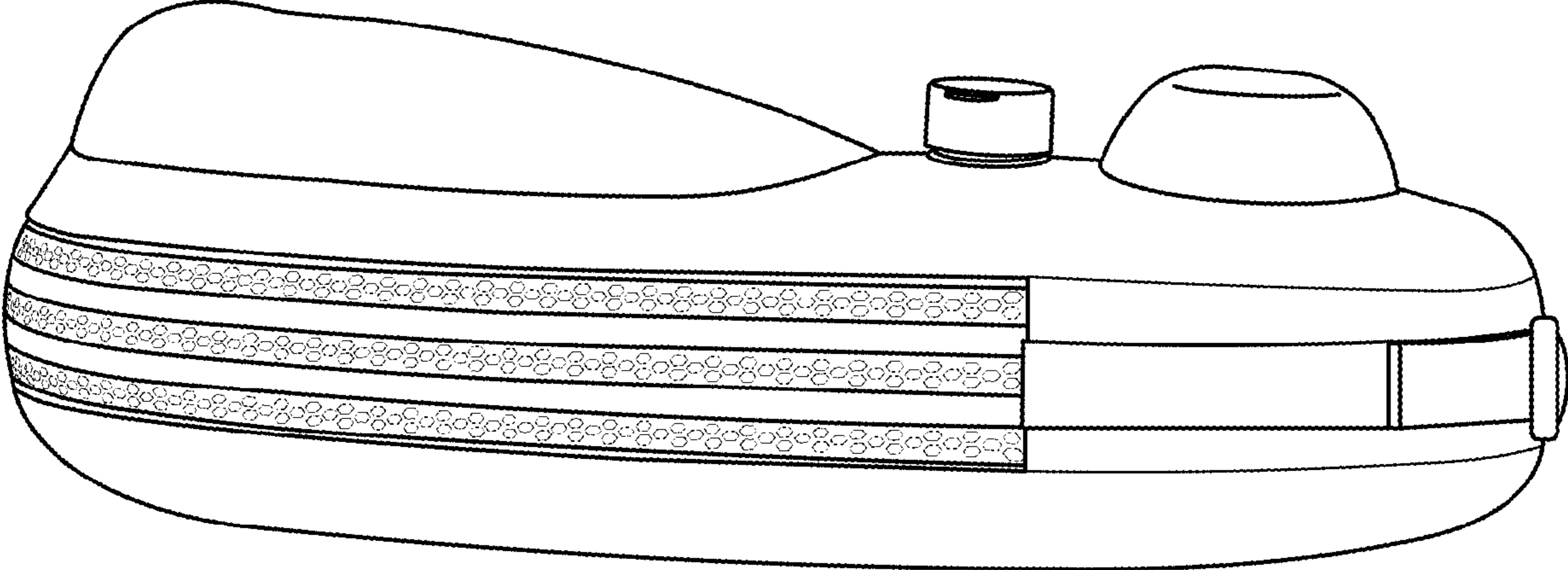


FIG. 7

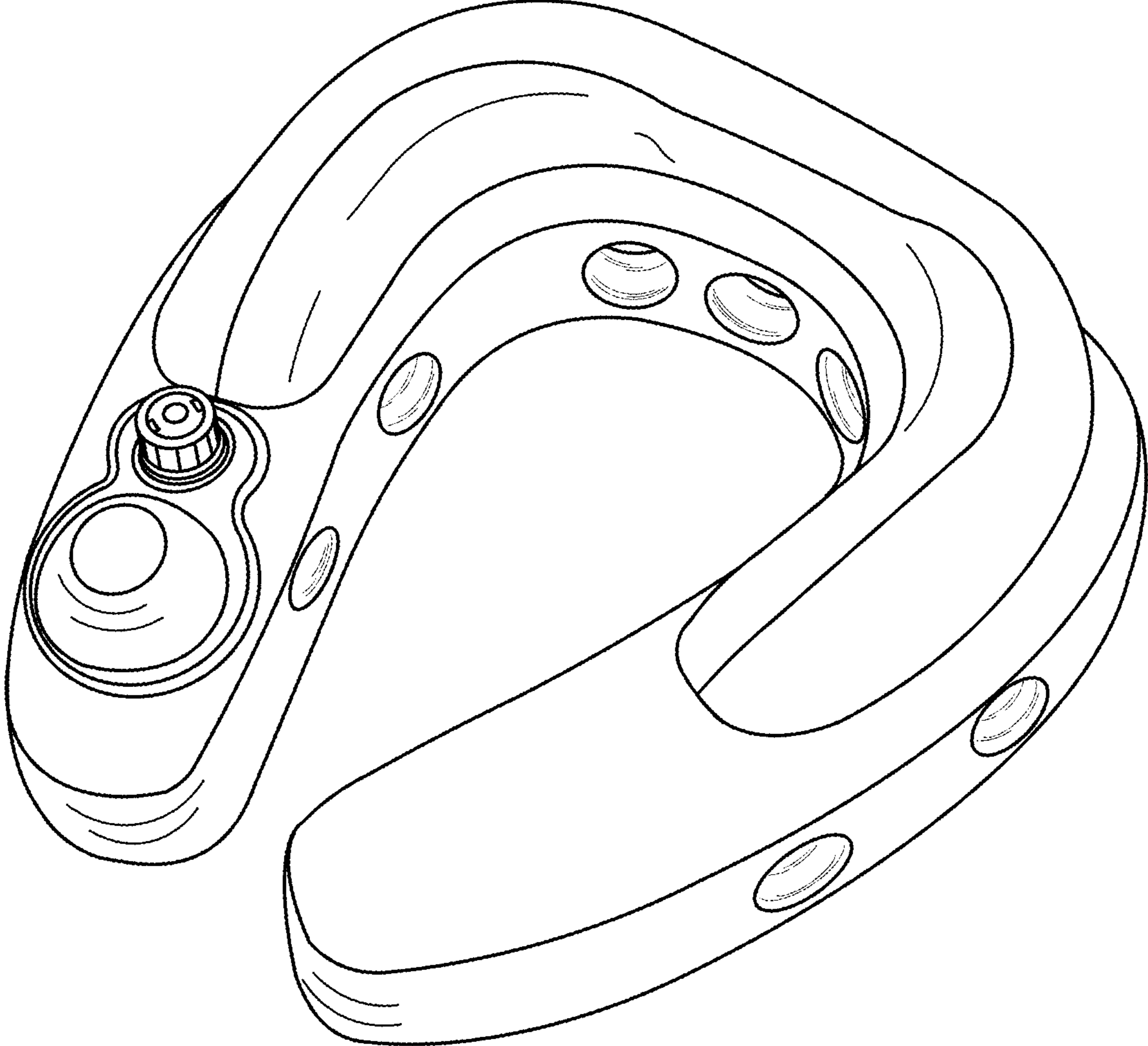


FIG. 8

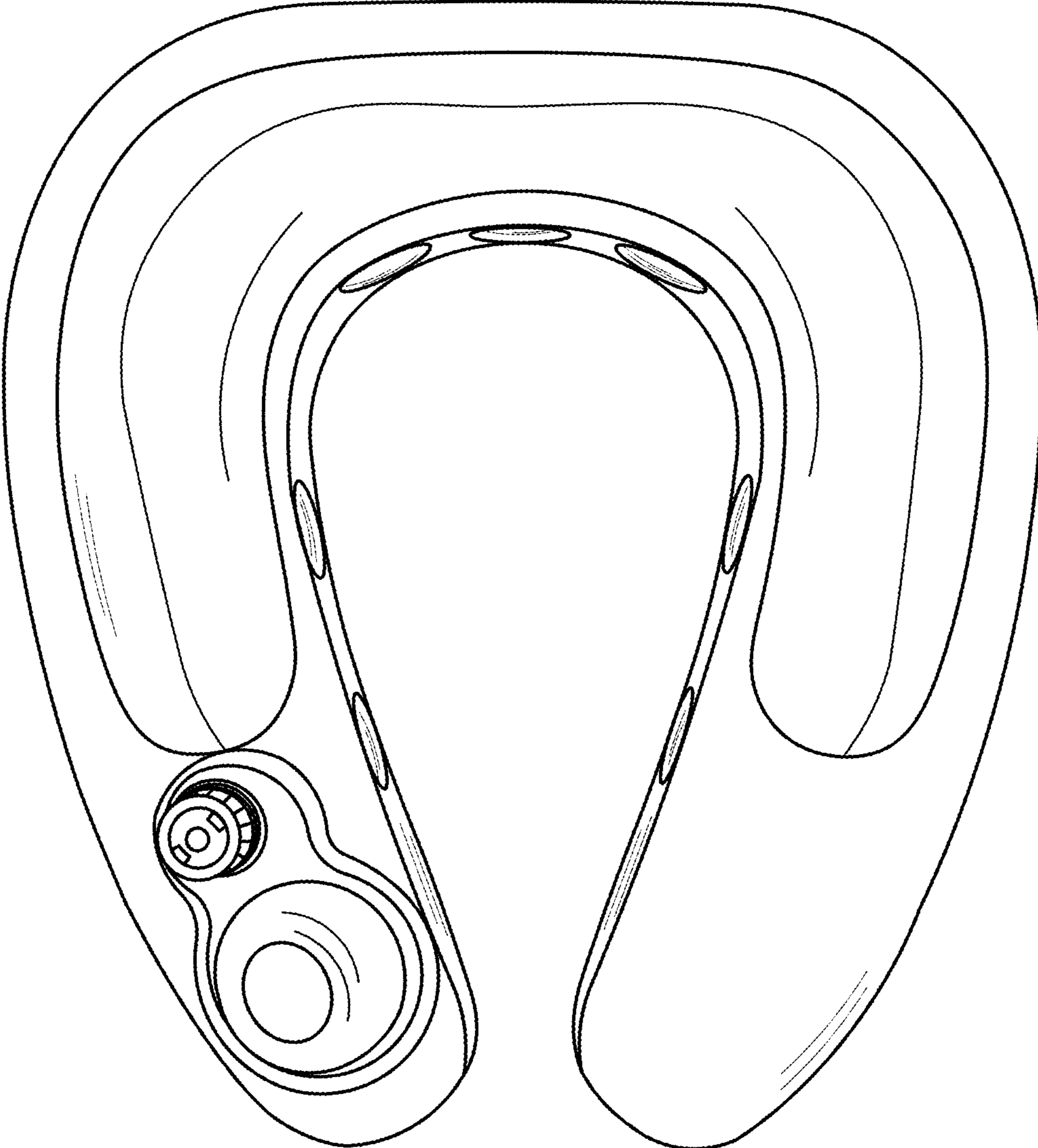


FIG. 9

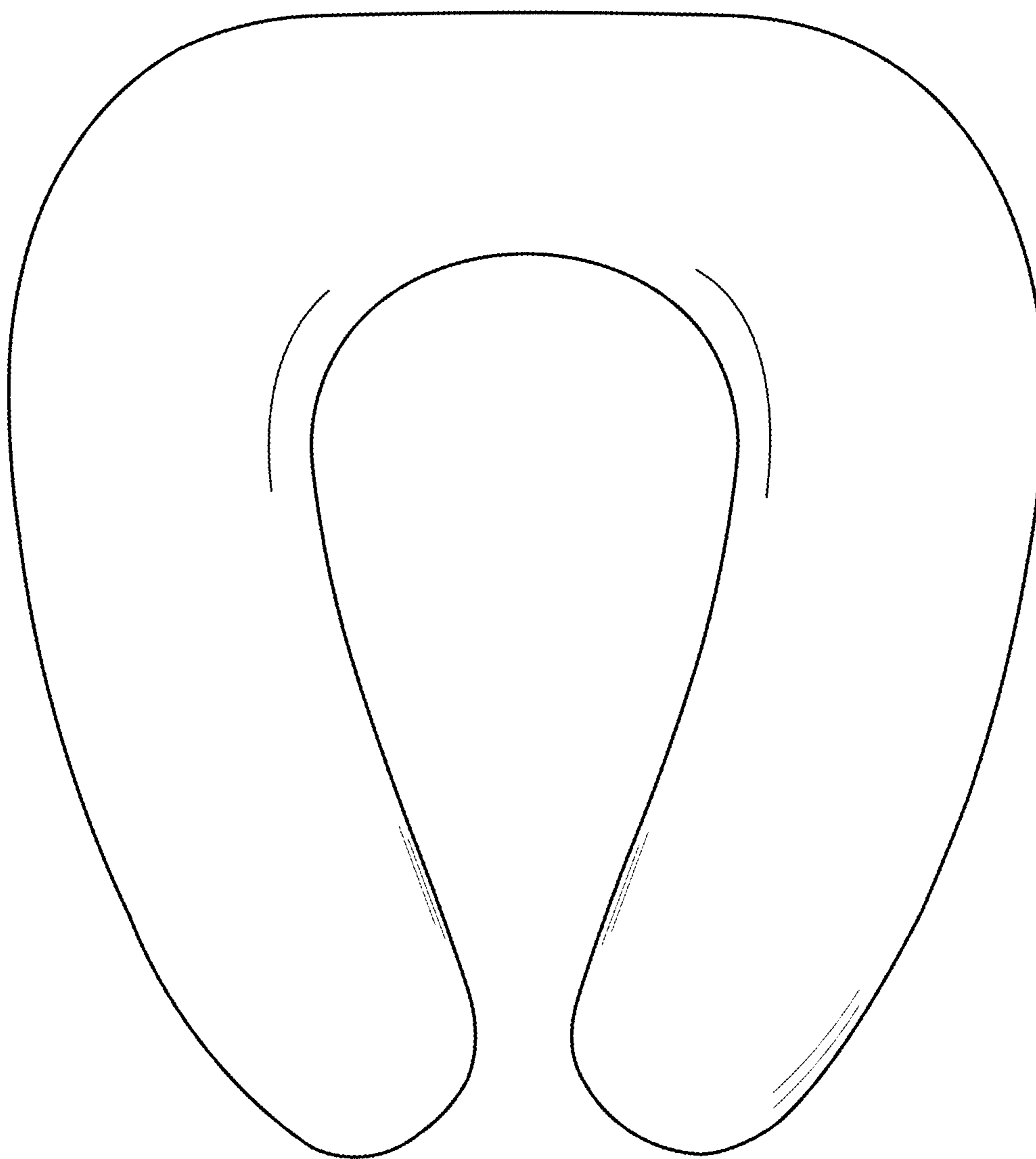


FIG. 10

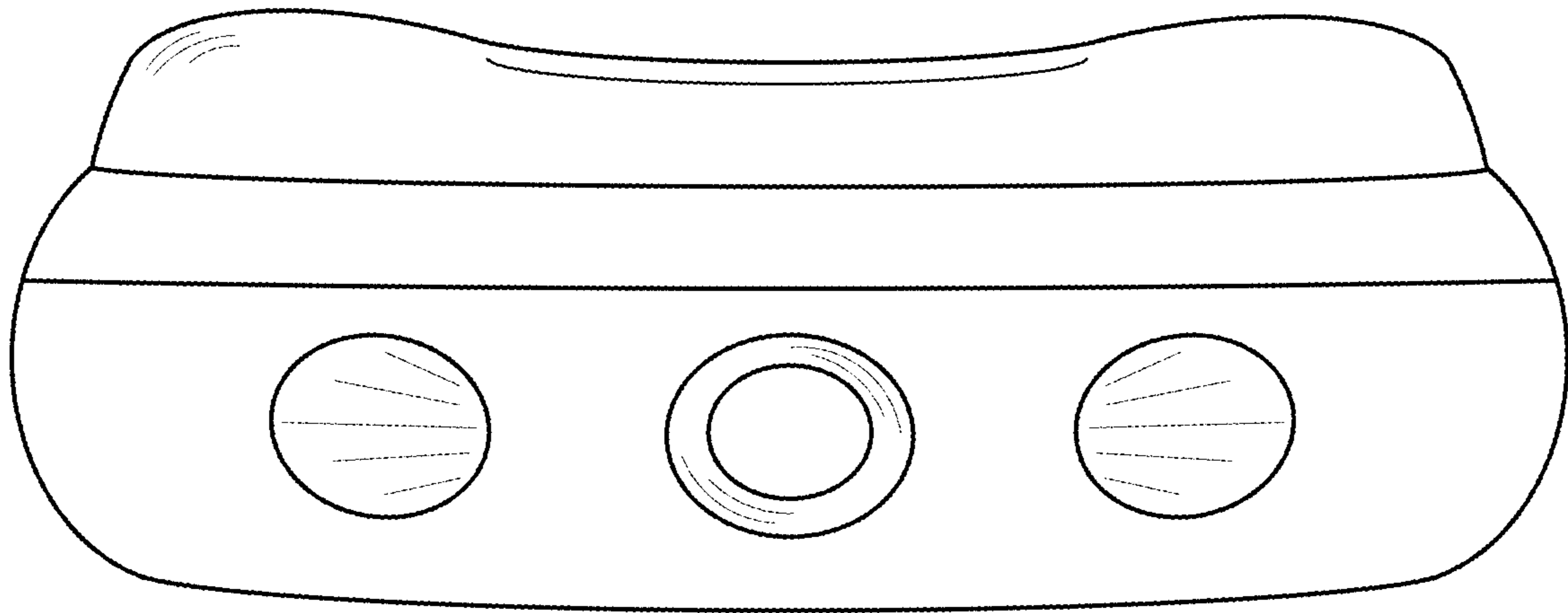


FIG. 11

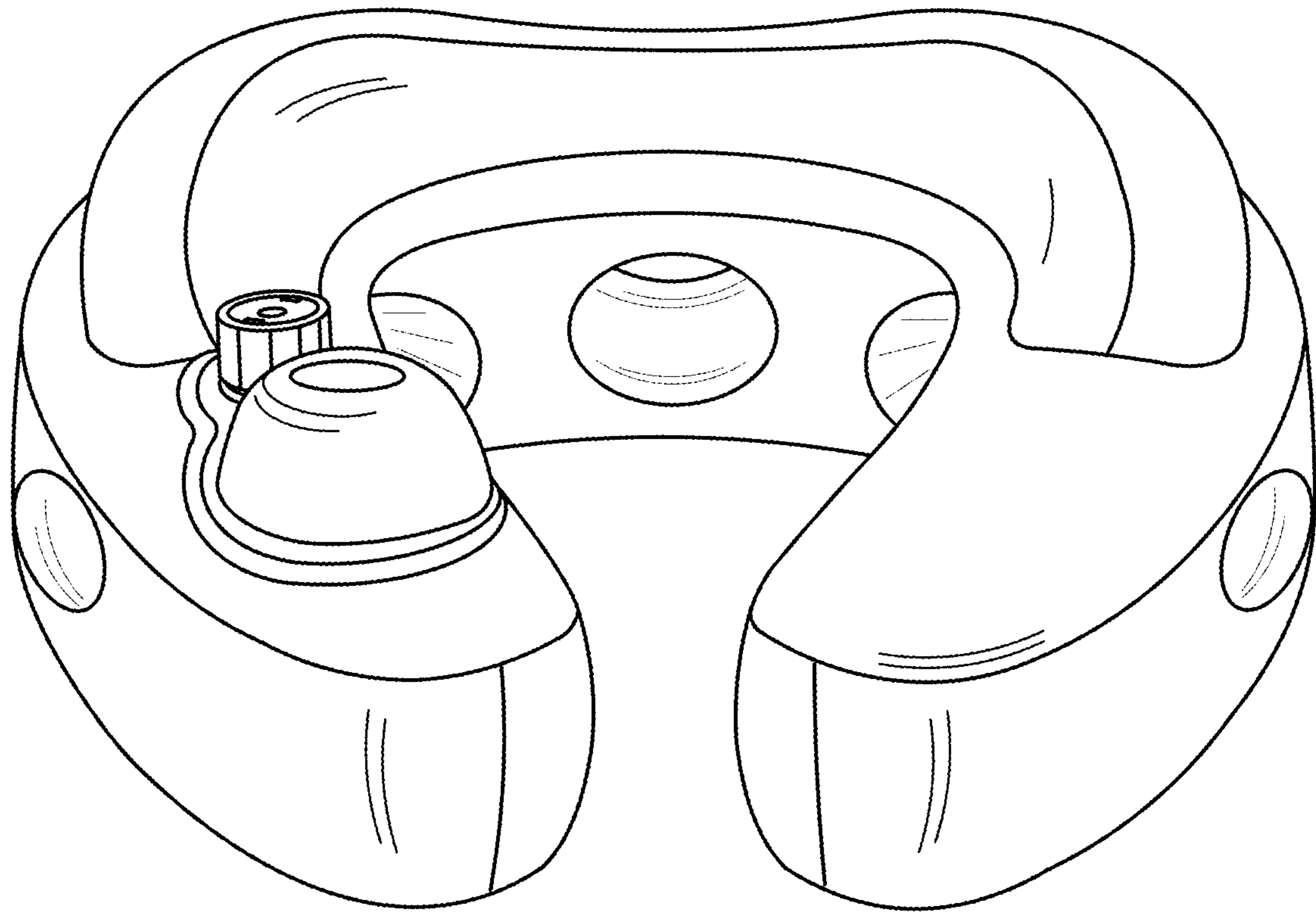


FIG. 12

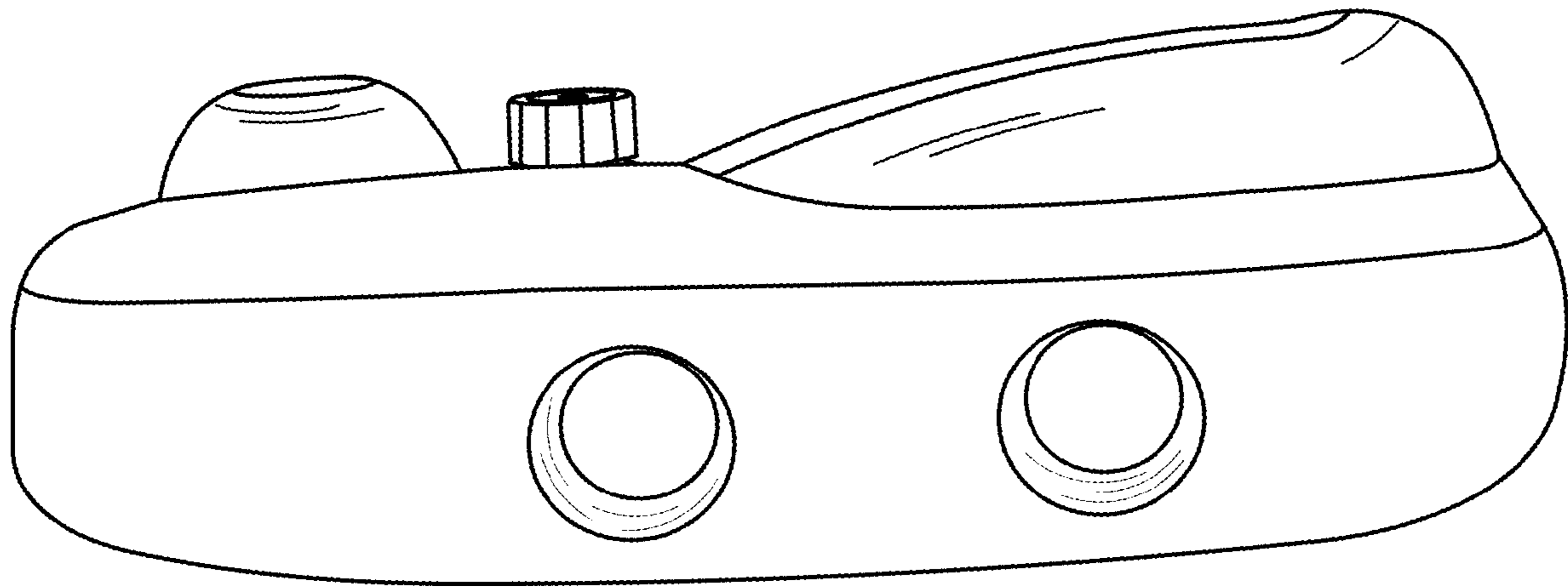


FIG. 13

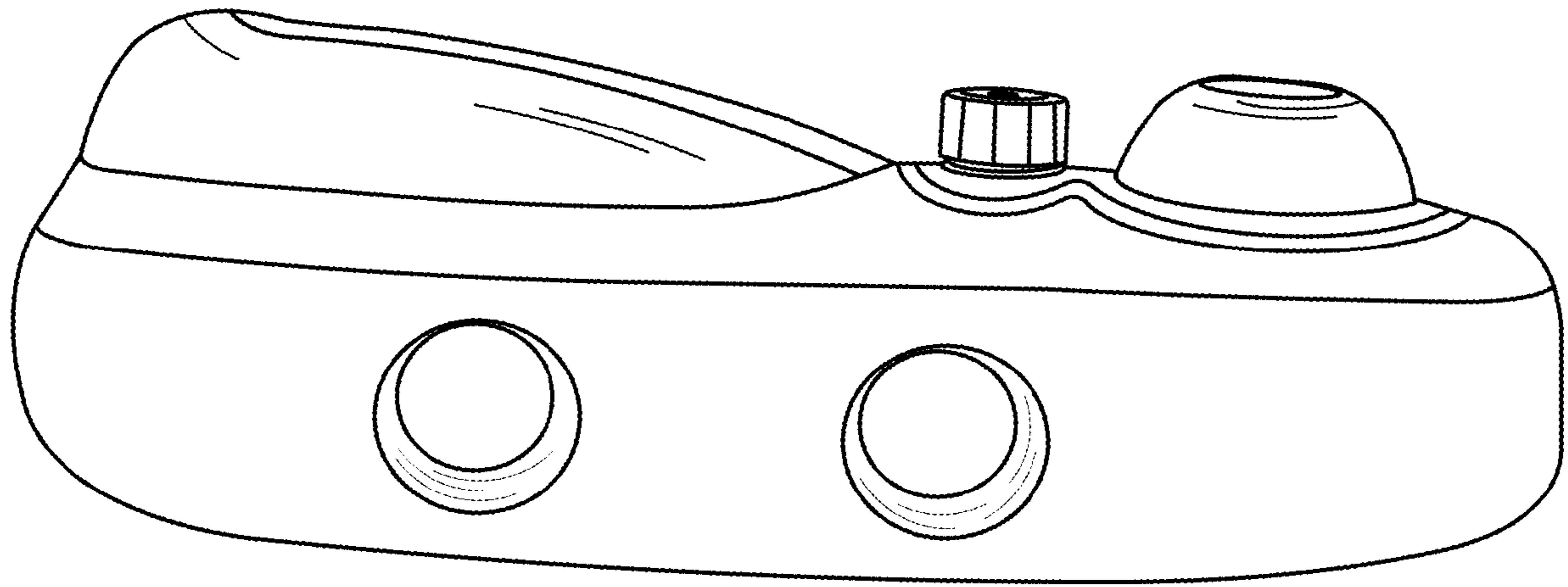


FIG. 14