



US00D944559S

(12) **United States Design Patent** (10) **Patent No.:** **US D944,559 S**  
**Zhu** (45) **Date of Patent:** **\*\* Mar. 1, 2022**

(54) **LIQUID DISPENSER**  
(71) Applicant: **Ningbo SKL International Co., Ltd.,**  
Ningbo (CN)  
(72) Inventor: **Lingfeng Zhu,** Ningbo (CN)  
(73) Assignee: **NingBo SKL International CO., LTD,**  
NingBo (CN)  
(\*\*) Term: **15 Years**  
(21) Appl. No.: **29/768,158**  
(22) Filed: **Jan. 27, 2021**

D616,683 S \* 6/2010 Law ..... D6/545  
D623,453 S \* 9/2010 Benedetti ..... D6/518  
D634,142 S 3/2011 Meyerhoffer  
D639,591 S 6/2011 Wallace  
8,009,015 B2 8/2011 Sayers et al.  
D662,743 S \* 7/2012 Meyerhoffer ..... D6/545  
8,827,120 B2 9/2014 Boshuizen et al.  
D726,444 S \* 4/2015 Giovannoni ..... D6/545  
D726,445 S \* 4/2015 Giovannoni ..... D6/545  
D798,080 S \* 9/2017 Duncan ..... D6/542  
D802,329 S \* 11/2017 Brownley ..... D6/542  
D809,819 S \* 2/2018 Johnson ..... D6/542  
D811,770 S 3/2018 Brownley et al.  
D831,377 S 10/2018 Blick  
D846,299 S \* 4/2019 Harris ..... D6/515  
D901,930 S \* 11/2020 Reilly ..... D6/542

(Continued)

(30) **Foreign Application Priority Data**

Nov. 11, 2020 (CN) ..... 202030700095.4

(51) **LOC (13) Cl.** ..... **23-02**

(52) **U.S. Cl.**  
USPC ..... **D6/545**

(58) **Field of Classification Search**  
USPC ..... D6/542-545; 221/208, 282, 283;  
222/105, 173, 180, 181.1, 181.2, 181.3  
CPC ..... A47K 5/12; A47K 5/00; A47K 5/1208  
See application file for complete search history.

(56) **References Cited**

**U.S. PATENT DOCUMENTS**

D337,229 S \* 7/1993 Giugiaro ..... D6/545  
5,464,125 A \* 11/1995 Daansen ..... A47K 5/1215  
222/156  
5,492,247 A \* 2/1996 Shu ..... A47K 5/1209  
141/351  
D530,125 S \* 10/2006 Vignot ..... D6/545  
D530,555 S \* 10/2006 Karraker ..... D6/545  
D580,596 S \* 11/2008 Hsu ..... D28/54.1  
D602,291 S 10/2009 Yang et al.  
D604,545 S \* 11/2009 Law ..... D6/545  
D615,330 S \* 5/2010 Meyerhoffer ..... D6/518

*Primary Examiner* — Nathan M Johnston

(74) *Attorney, Agent, or Firm* — iPA & iPM

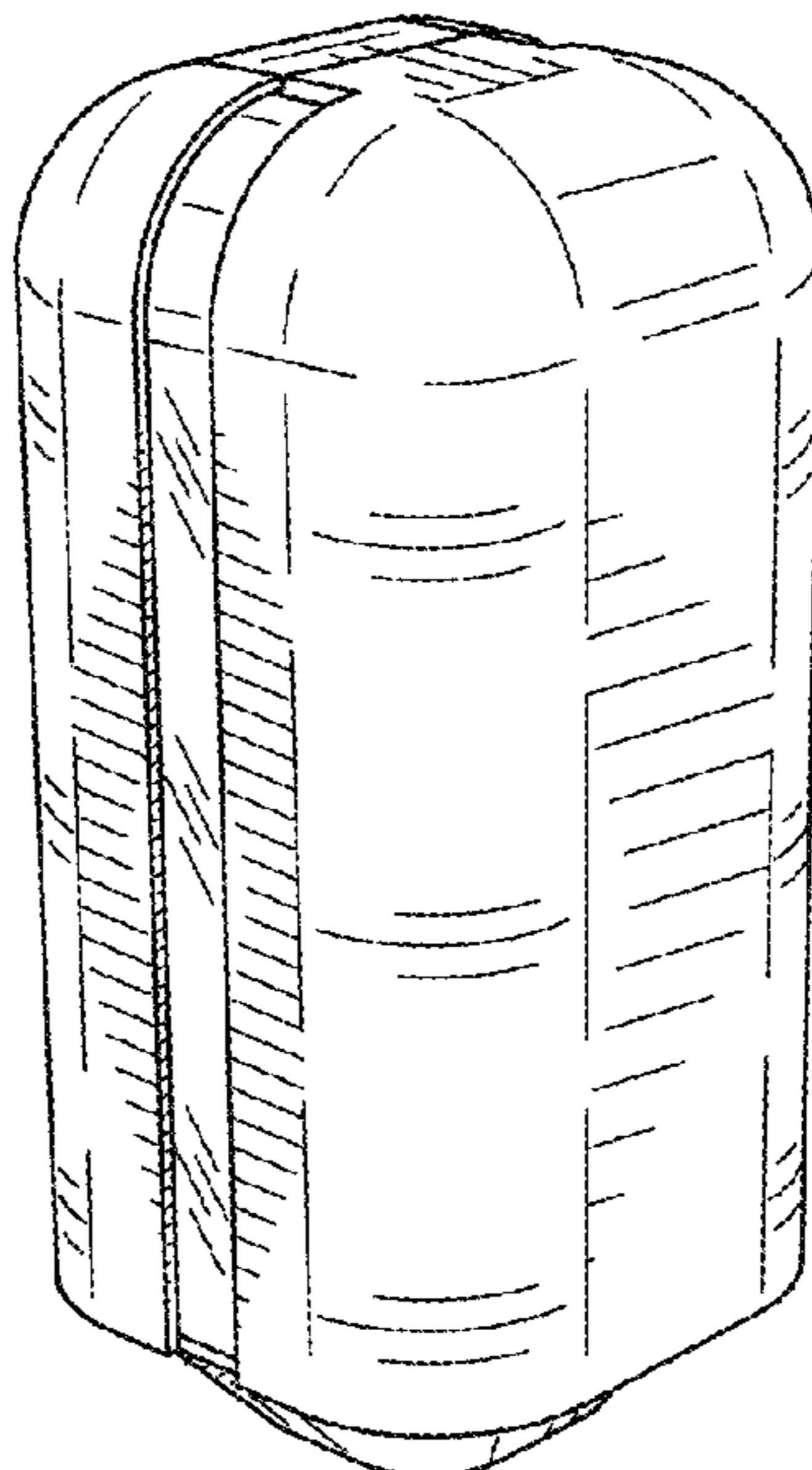
(57) **CLAIM**

The ornamental design for a liquid dispenser, as shown and described.

**DESCRIPTION**

FIG. 1 is a perspective view of a liquid dispenser showing my new design;  
FIG. 2 is a front view thereof;  
FIG. 3 is a left side view thereof;  
FIG. 4 is right side view thereof;  
FIG. 5 is top view thereof;  
FIG. 6 is a back view thereof;  
FIG. 7 is a bottom view thereof;  
FIG. 8 is a back perspective view thereof;  
FIG. 9 is a left side view of the liquid dispenser in use; and,  
FIG. 10 is a left side view of a front cover being lifted.  
Broken lines are used to illustrate portions of the liquid dispenser or environmental subject matter that form no part of the claimed design.

**1 Claim, 3 Drawing Sheets**



(56)

**References Cited**

U.S. PATENT DOCUMENTS

D906,007 S 12/2020 Rossi  
2010/0224651 A1\* 9/2010 Zlatic ..... A47K 5/122  
222/182  
2011/0253744 A1\* 10/2011 Pelfrey ..... G07C 9/00896  
222/52  
2012/0043349 A1\* 2/2012 Willemsen ..... B65D 83/262  
222/181.3  
2013/0020351 A1\* 1/2013 Pelfrey ..... A47K 5/1214  
222/23  
2015/0034677 A1\* 2/2015 Duncan ..... A47K 5/12  
222/181.3  
2015/0190827 A1 7/2015 Ophardt et al.  
2015/0274375 A1\* 10/2015 Kling ..... A47K 5/1211  
222/103  
2016/0309967 A1 10/2016 Pelfrey et al.  
2018/0206684 A1\* 7/2018 Tedesco ..... A47K 10/3818

\* cited by examiner

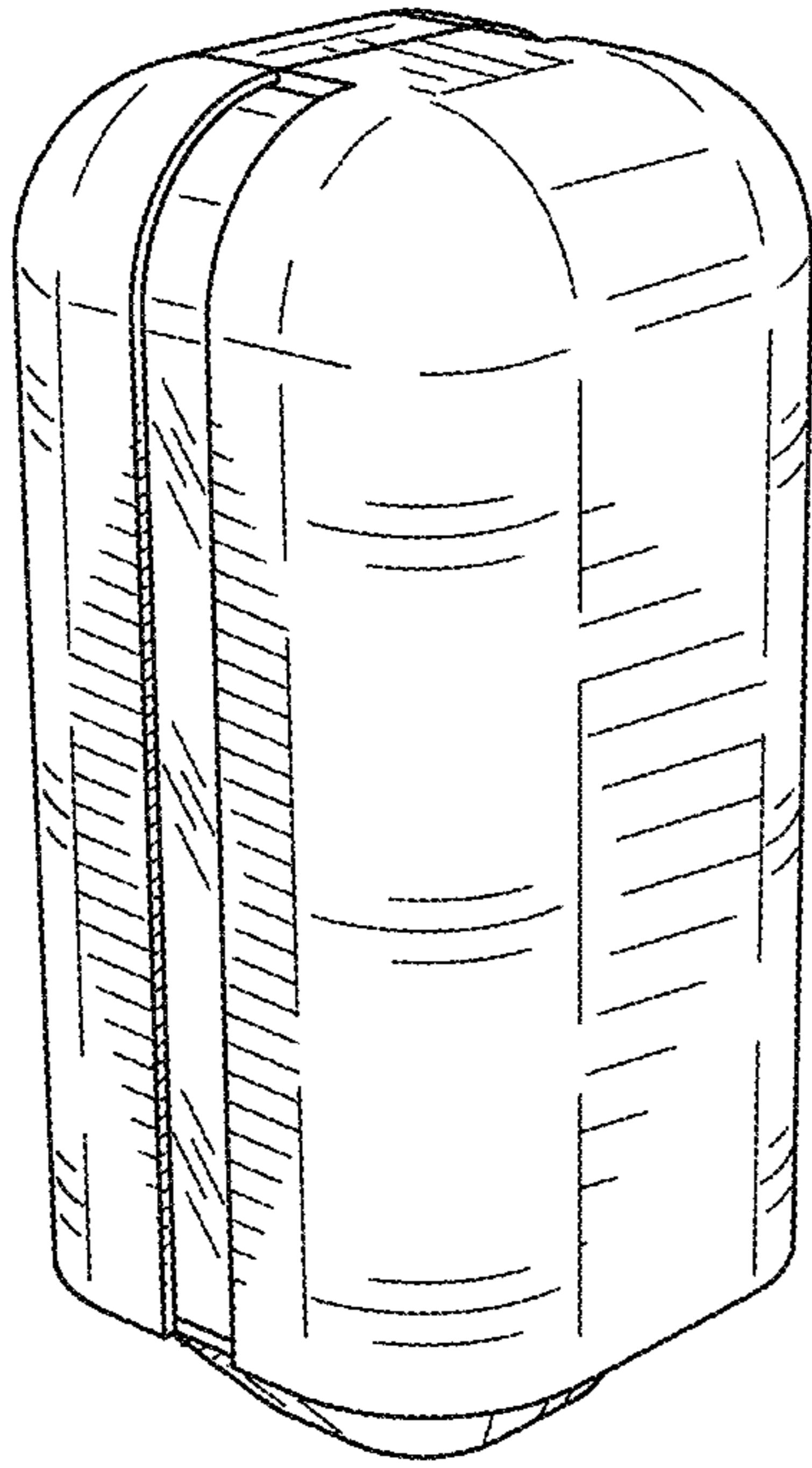


FIG. 1

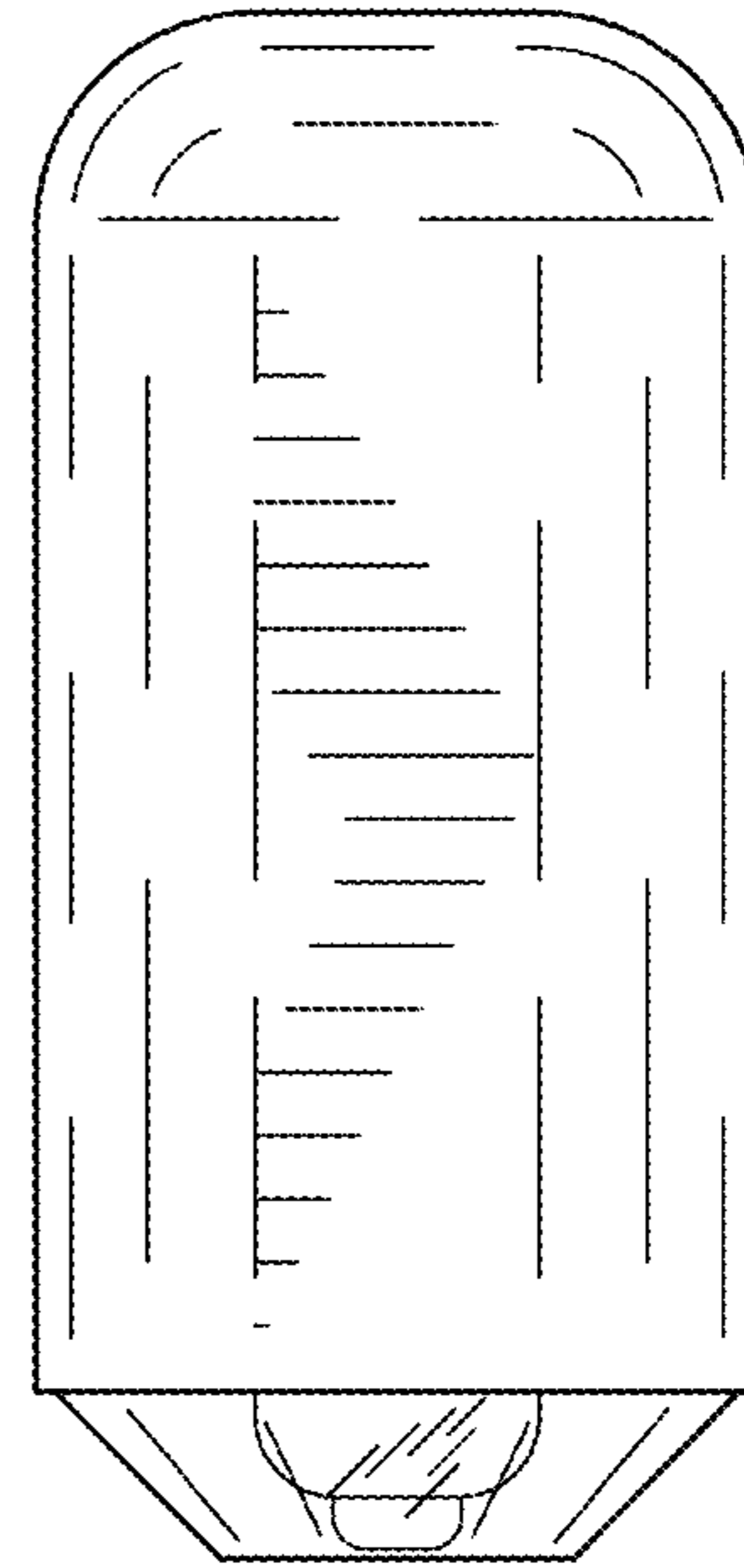


FIG. 2

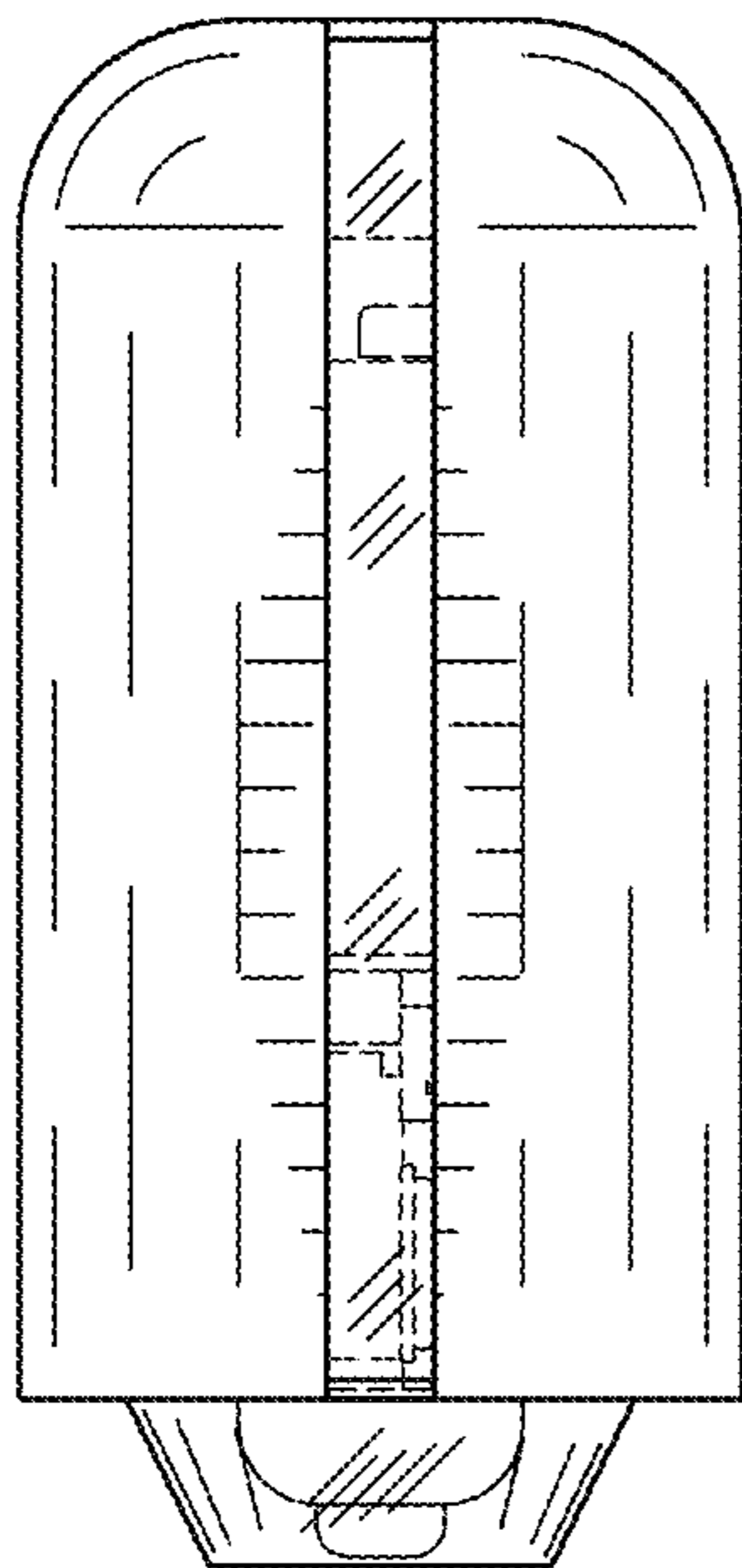


FIG. 3

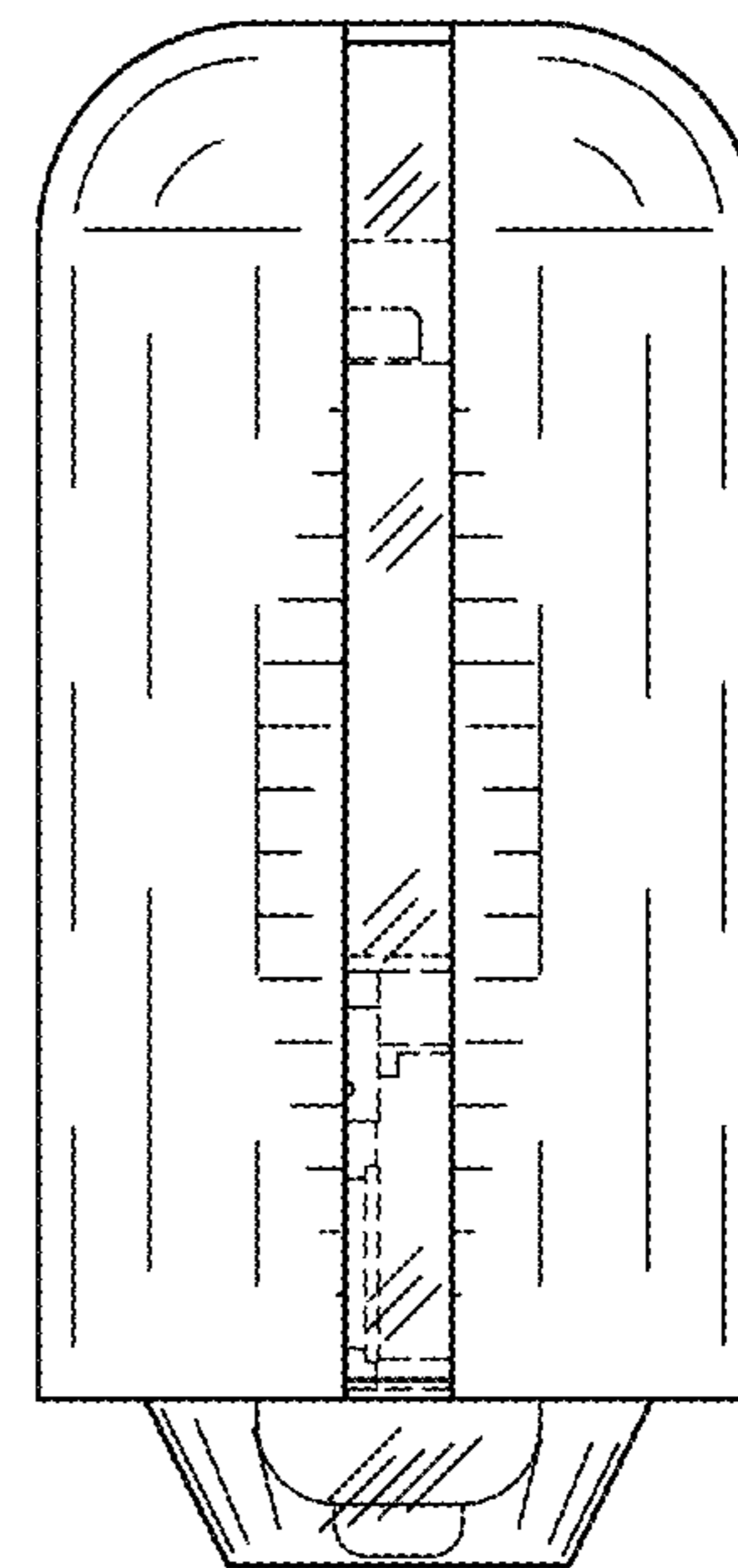


FIG. 4

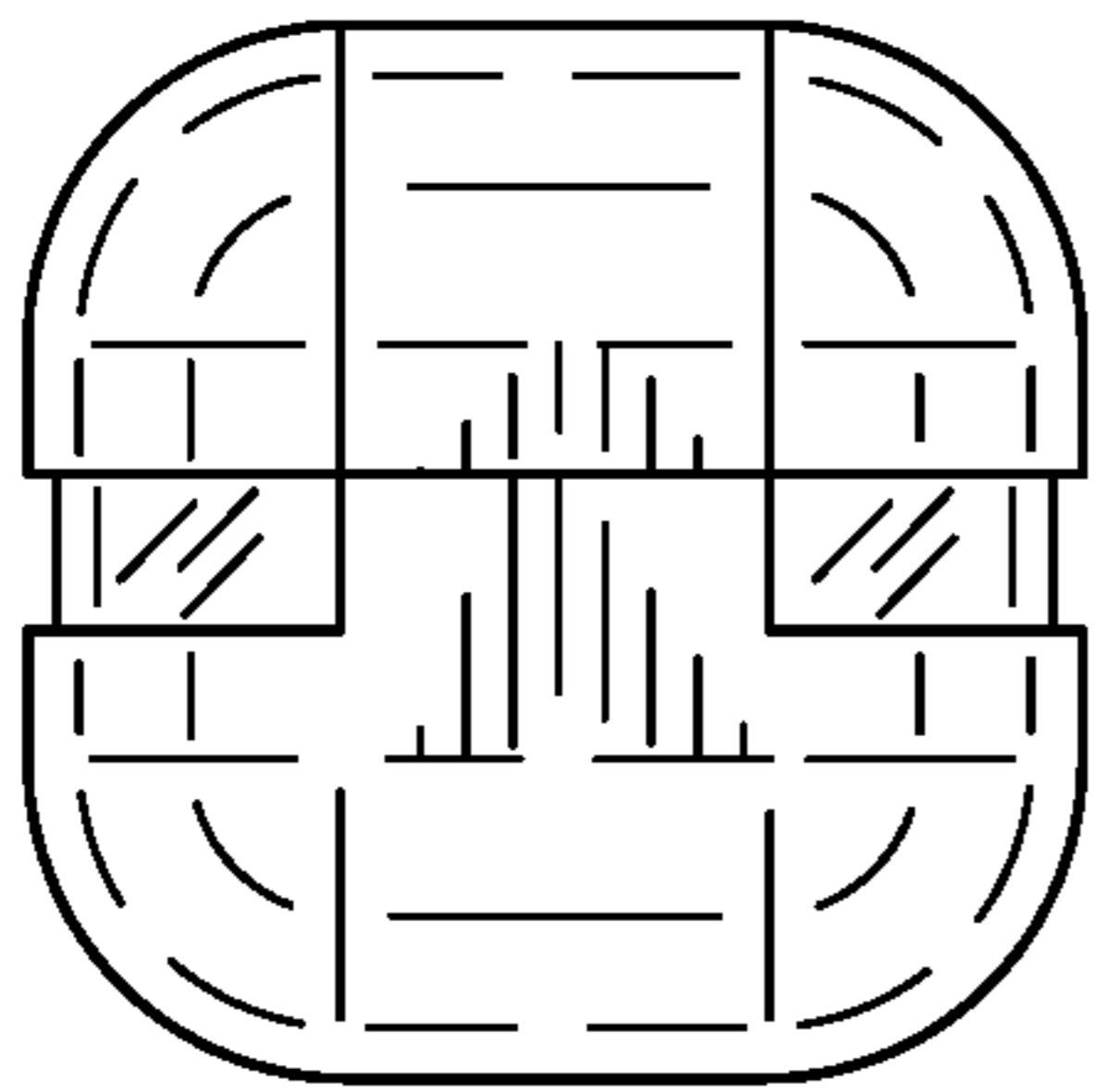


FIG. 5

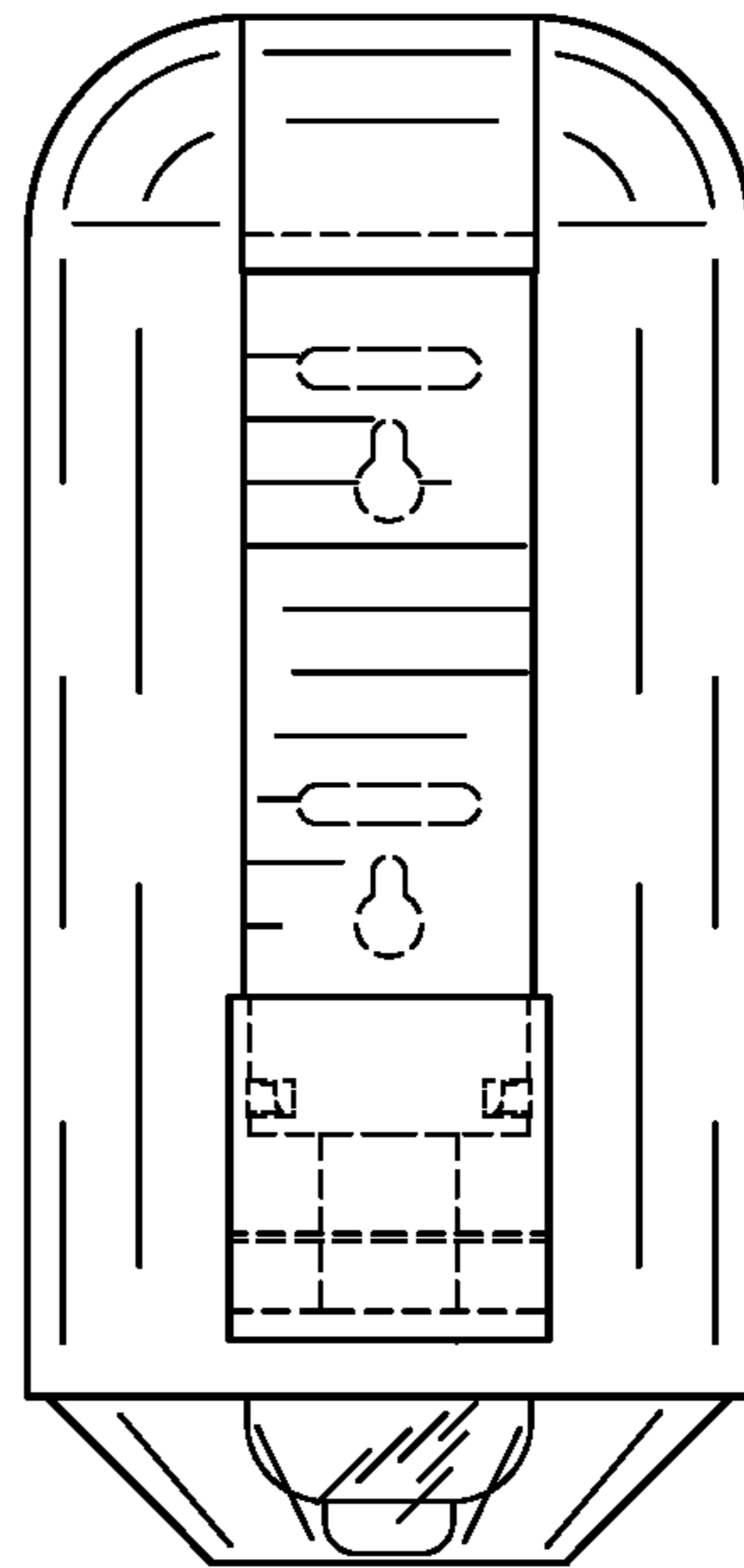


FIG. 6

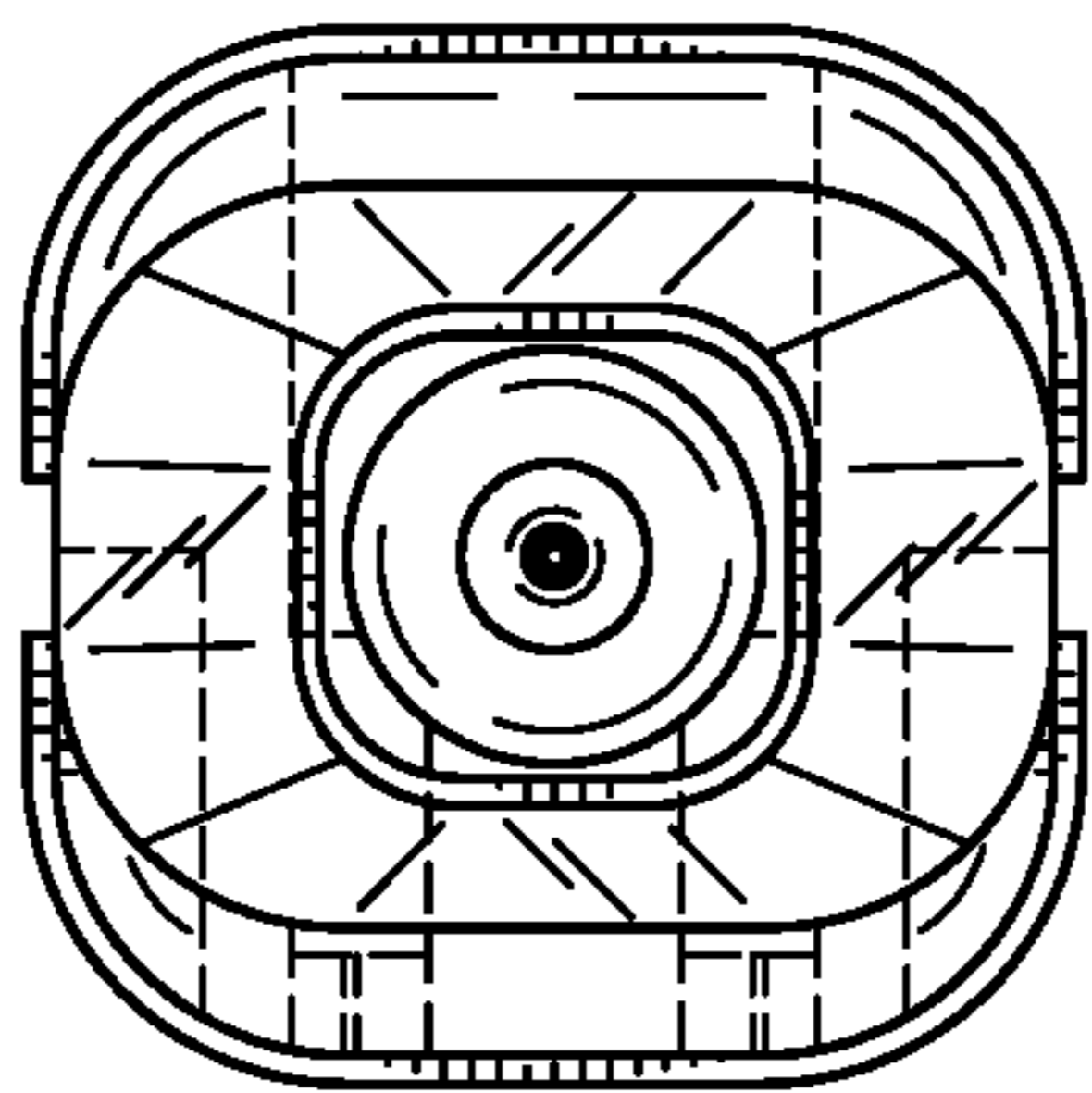


FIG. 7

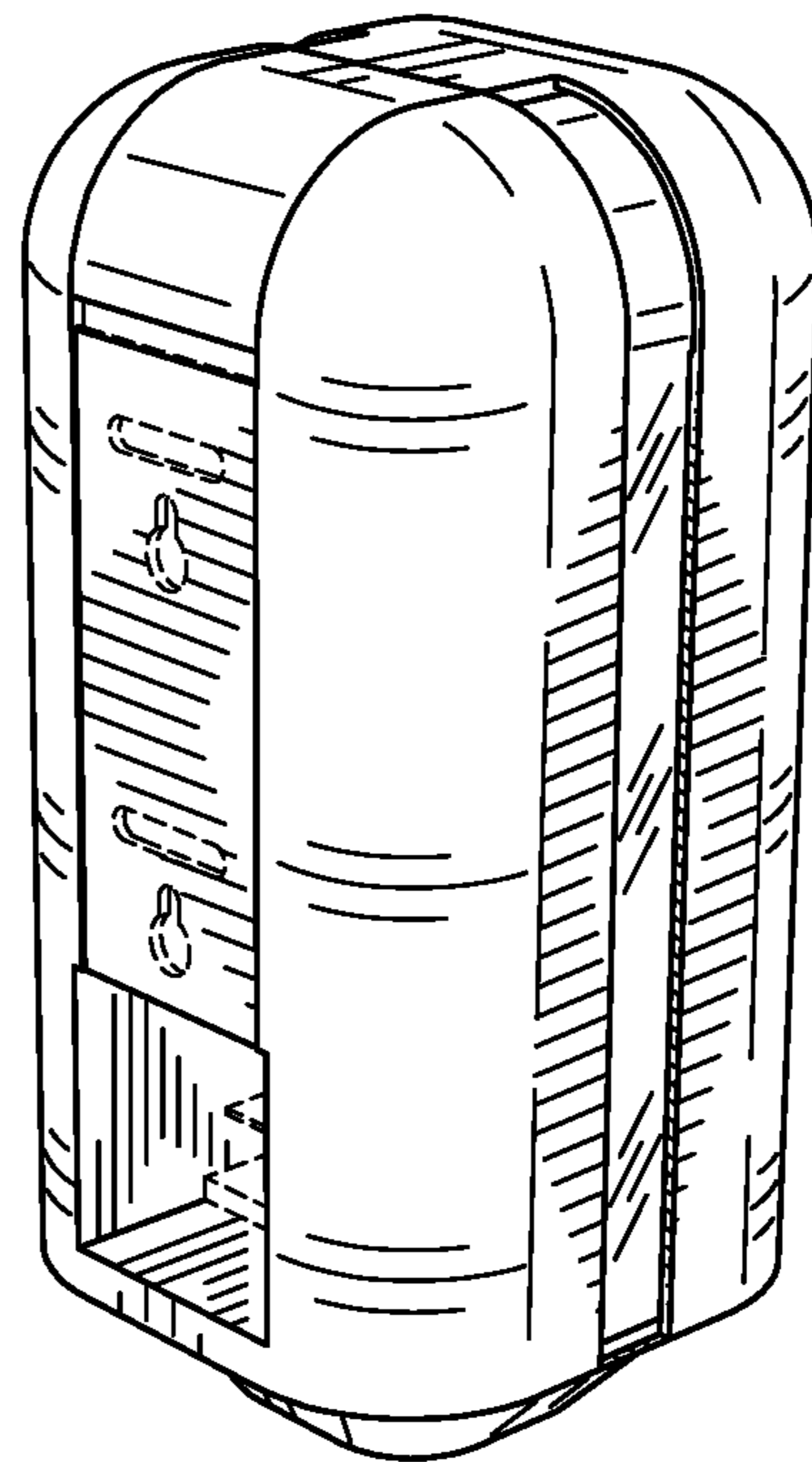


FIG. 8

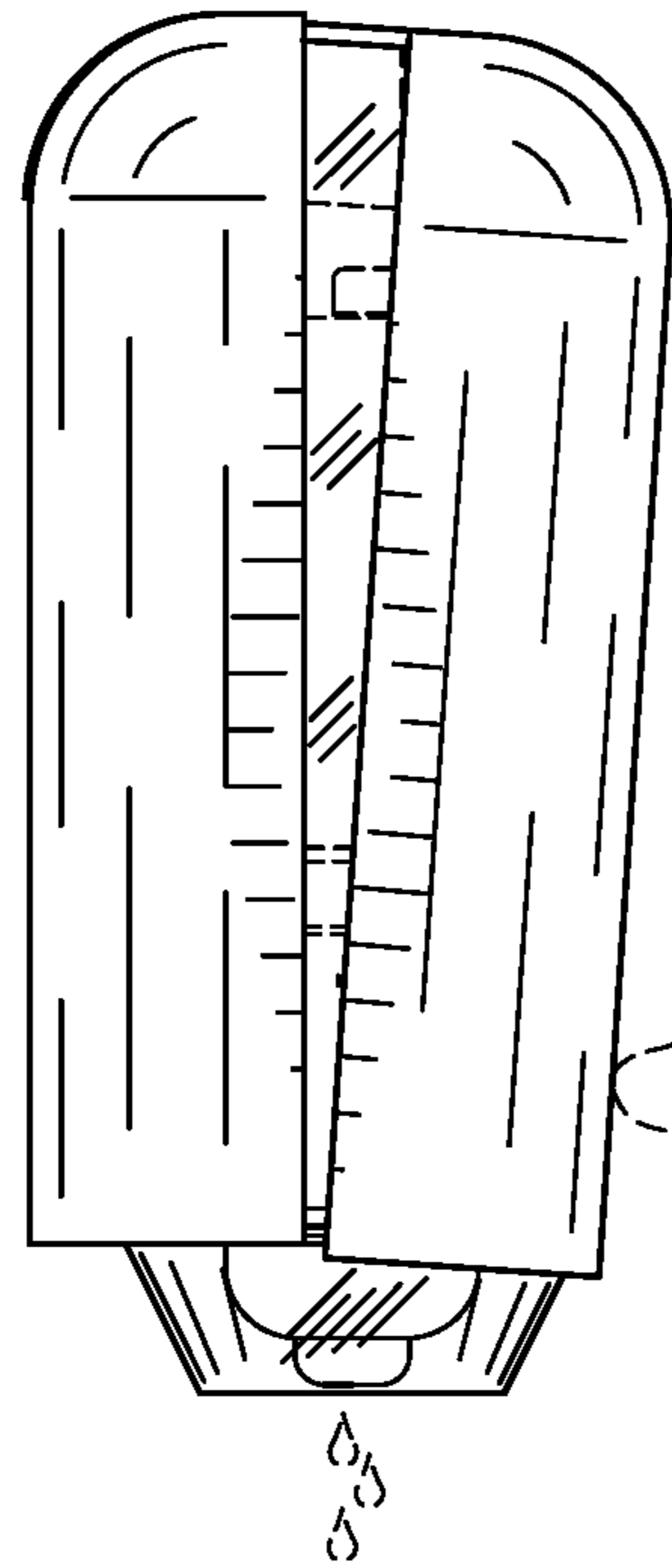


FIG. 9

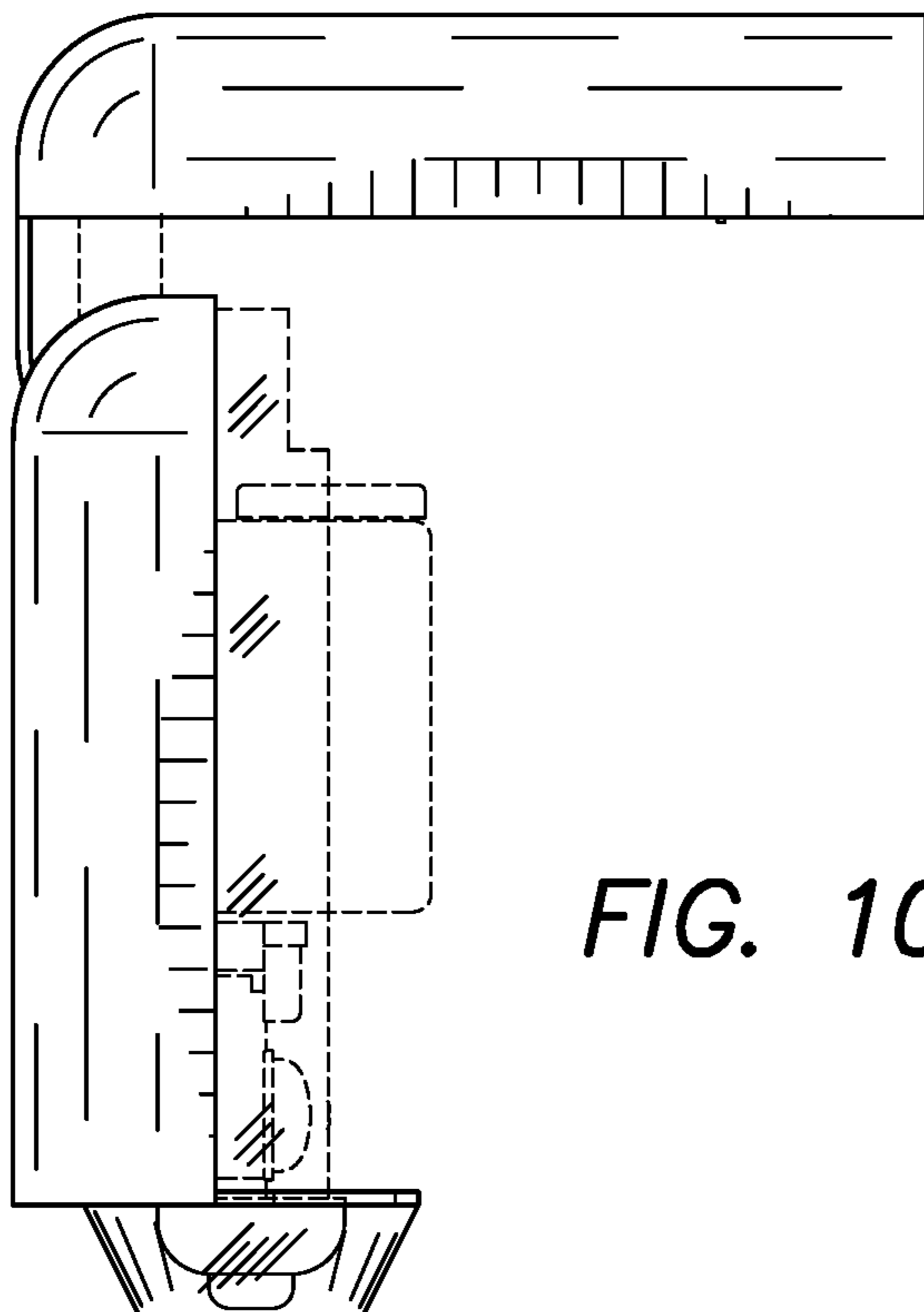


FIG. 10