



US00D944558S

(12) **United States Design Patent** (10) **Patent No.:** **US D944,558 S**  
**Wilson et al.** (45) **Date of Patent:** **\*\* Mar. 1, 2022**

(54) **RAZOR HOLDER ASSEMBLY**  
(71) Applicants: **Brenda M. Wilson**, Harper Woods, MI (US); **Erika Johnson**, Harper Woods, MI (US)  
(72) Inventors: **Brenda M. Wilson**, Harper Woods, MI (US); **Erika Johnson**, Harper Woods, MI (US)

D360,383 S \* 7/1995 Weder ..... D11/164  
D364,189 S \* 11/1995 Trombly ..... D19/77  
D366,171 S 1/1996 Green  
D386,341 S \* 11/1997 Walker ..... D23/303  
D389,686 S \* 1/1998 Drage ..... D10/2  
5,730,302 A 3/1998 Groene  
D454,982 S \* 3/2002 Renfrew ..... D28/61  
D609,950 S \* 2/2010 Yang ..... D6/528  
D623,455 S 9/2010 Buss et al.  
D694,038 S 11/2013 Besen et al.  
D710,543 S \* 8/2014 Dittmer ..... D28/73  
D902,053 S \* 11/2020 Morgan ..... D9/715

(\*\*) Term: **15 Years**

(21) Appl. No.: **29/755,349**

(22) Filed: **Oct. 20, 2020**

(51) **LOC (13) Cl.** ..... **28-03**

(52) **U.S. Cl.**  
USPC ..... **D6/526**

(58) **Field of Classification Search**  
USPC ..... D6/524-528; D3/901, 203.5; D28/73; D19/69, 77, 78, 85; D9/737, 748, 749, D9/448  
CPC . B26B 19/3806; B26B 19/3853; B26B 21/52; B26B 21/10; B26B 21/4006; B26B 21/522; B26B 21/40; B26B 21/36; B26B 19/14; B26B 19/38; B26B 19/382; B26B 19/3813; B65D 73/0064; B65D 73/0014; B65D 77/26; B65D 85/1081; B65D 5/5016; B65D 71/70; B65D 25/106; B65D 25/22

See application file for complete search history.

(56) **References Cited**

**U.S. PATENT DOCUMENTS**

D206,156 S 11/1966 Schinker  
D264,224 S \* 5/1982 Henkels ..... D19/75  
D315,228 S \* 3/1991 Stringham ..... D28/73  
D320,413 S \* 10/1991 Dietterich ..... D19/85  
D324,792 S \* 3/1992 McElroy ..... D6/528  
D339,824 S \* 9/1993 Ancona ..... D19/75  
5,358,127 A 10/1994 Ennis

**OTHER PUBLICATIONS**

Cute Creative Multi-functional Plastic Toothbrush Holder with Cup. Product Listing [online]. © 2020 beddinginn.com [retrieved on Jun. 11, 2020], Retrieved from the Internet: <URL: <https://www.beddinginn.com/product/Cute-Creative-Multi-Functional-Plastic-Toothbrush-Holder-With-Cup-11223181.html>>.

(Continued)

*Primary Examiner* — Nathan M Johnston  
(74) *Attorney, Agent, or Firm* — Cramer Patent & Design, PLLC; Aaron R. Cramer

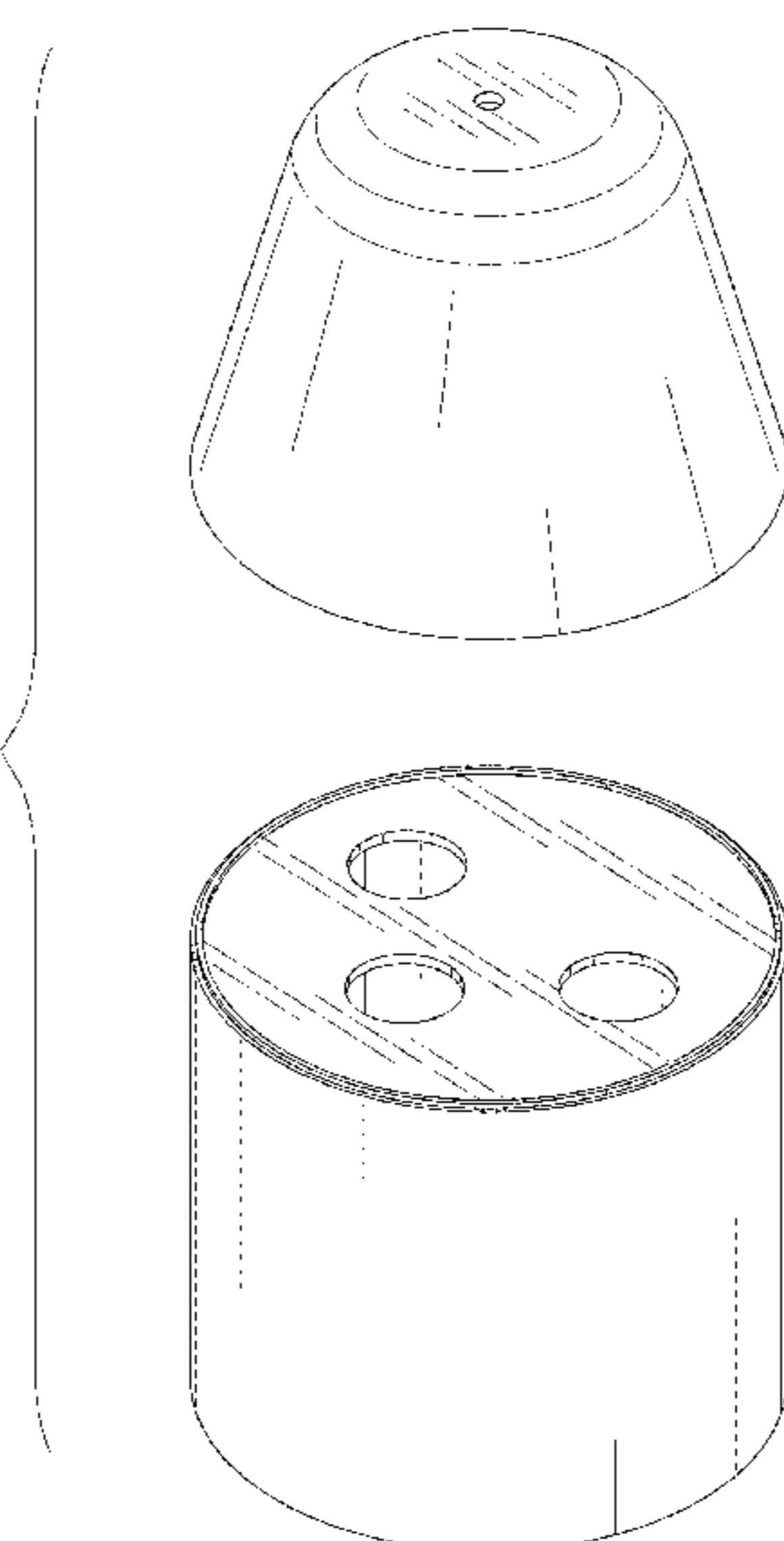
(57) **CLAIM**

The ornamental design for a razor holder assembly, as shown and described.

**DESCRIPTION**

FIG. 1 is a perspective top front right view of a razor holder assembly, including base and lid components, showing our new design;  
FIG. 2 is a perspective top rear left view thereof;  
FIG. 3 is a front elevation view thereof;  
FIG. 4 is a rear elevation view thereof;  
FIG. 5 is a right elevation view thereof;  
FIG. 6 is a left elevation view thereof;  
FIG. 7 is a top plan view thereof; and,  
FIG. 8 is a bottom plan view thereof.

**1 Claim, 8 Drawing Sheets**



(56)

**References Cited**

OTHER PUBLICATIONS

Multi-colored toothbrushes in a glass cup, blue background stock photo. Stock Photo [online]. © 2020 iStockphoto LP [retrieved on Jun. 11, 2020], Retrieved from the Internet: <URL: <https://www.istockphoto.com/photo/multi-colored-toothbrushes-in-a-glass-cup-blue-background-gm1130447045-298968369>>.

My \$10 Razor Stand Forum Posting [online] The Shave Den [posted by digitaldome on Feb. 25, 2014; retrieved on Jun. 11, 2020]. Retrieved from the Internet: <URL: <https://theshaveden.com/forums/threads/my-10-razor-stand.36563/>>.

\* cited by examiner

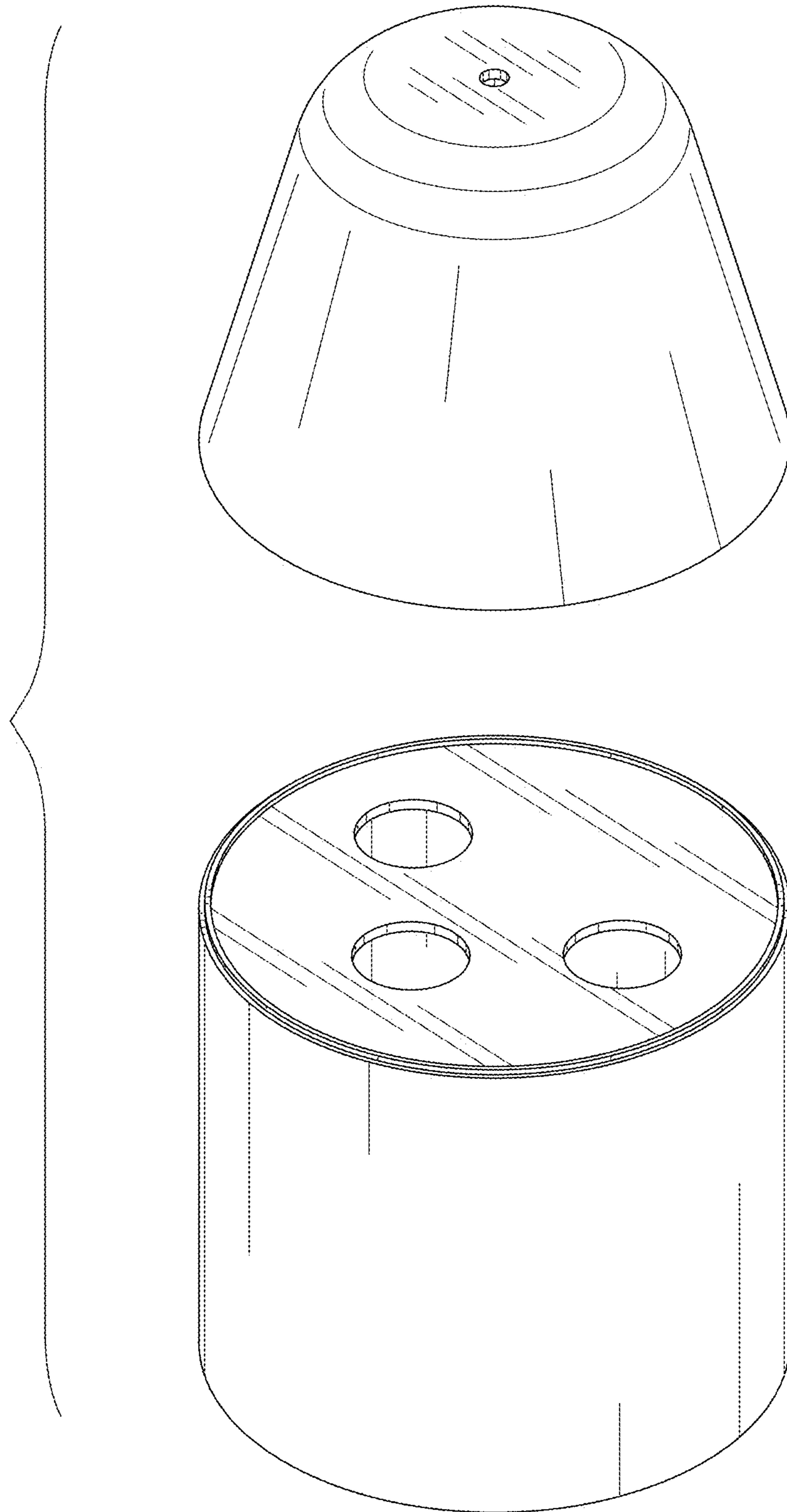


FIG. 1

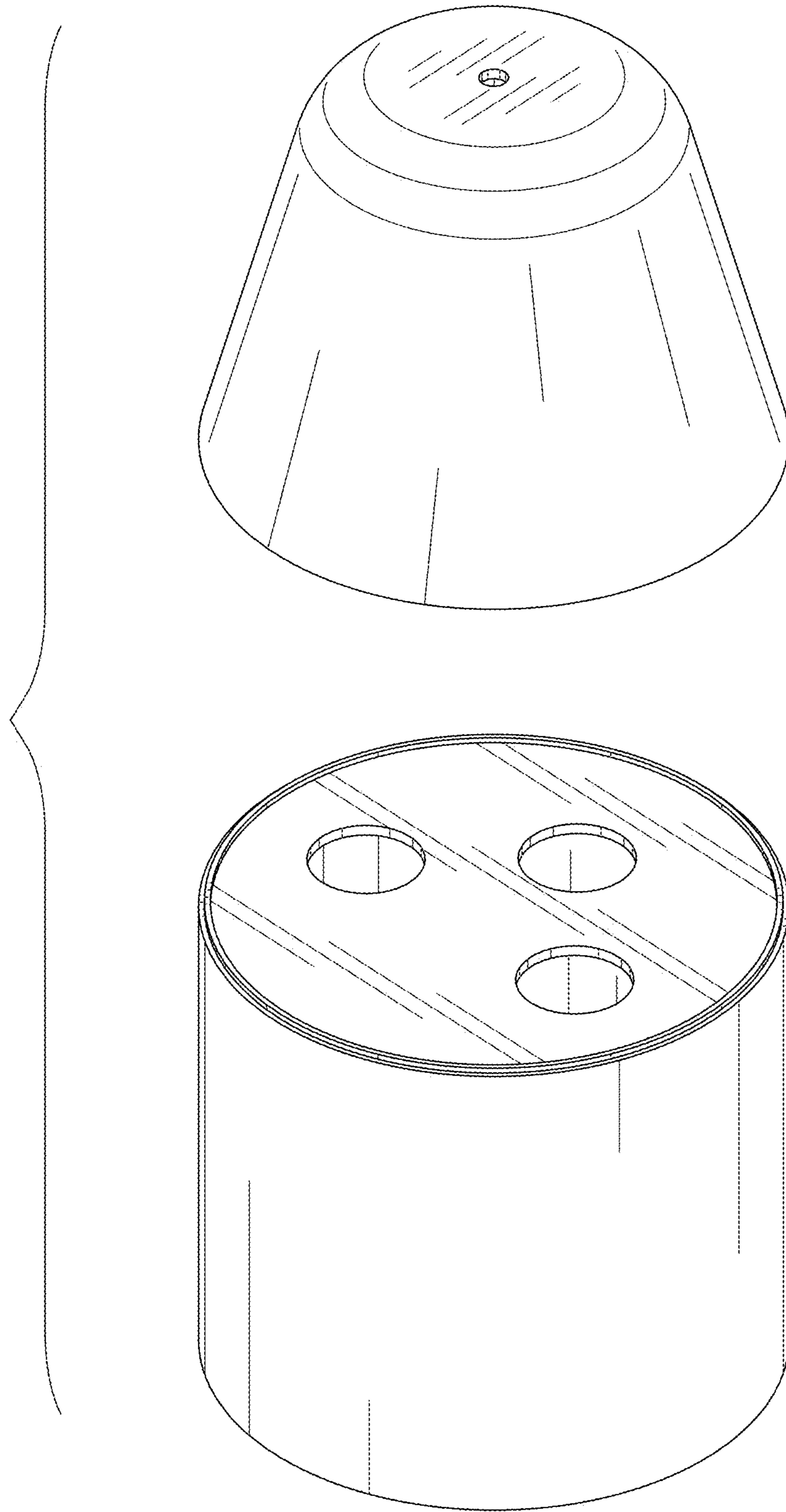


FIG. 2

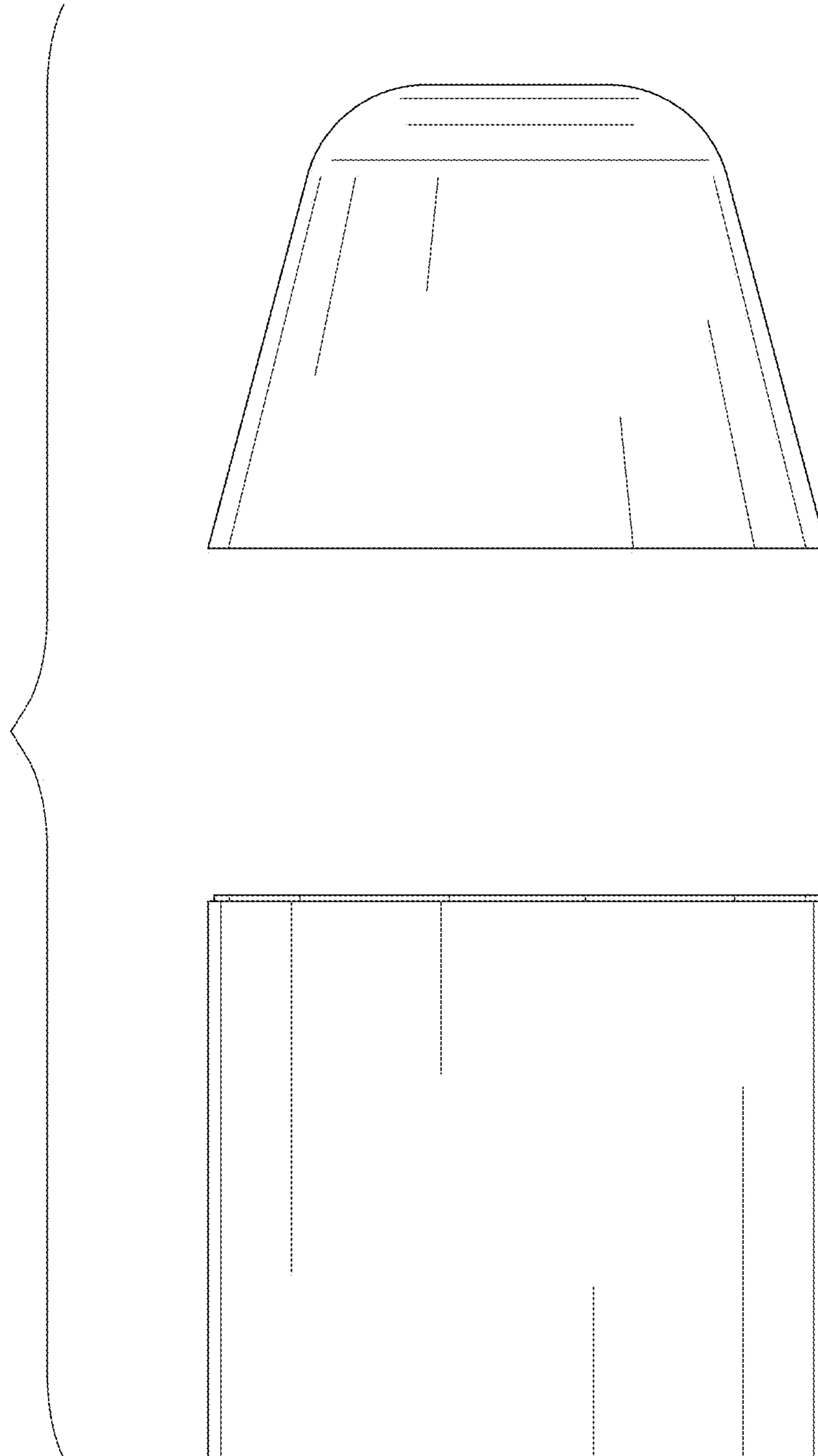


FIG. 3

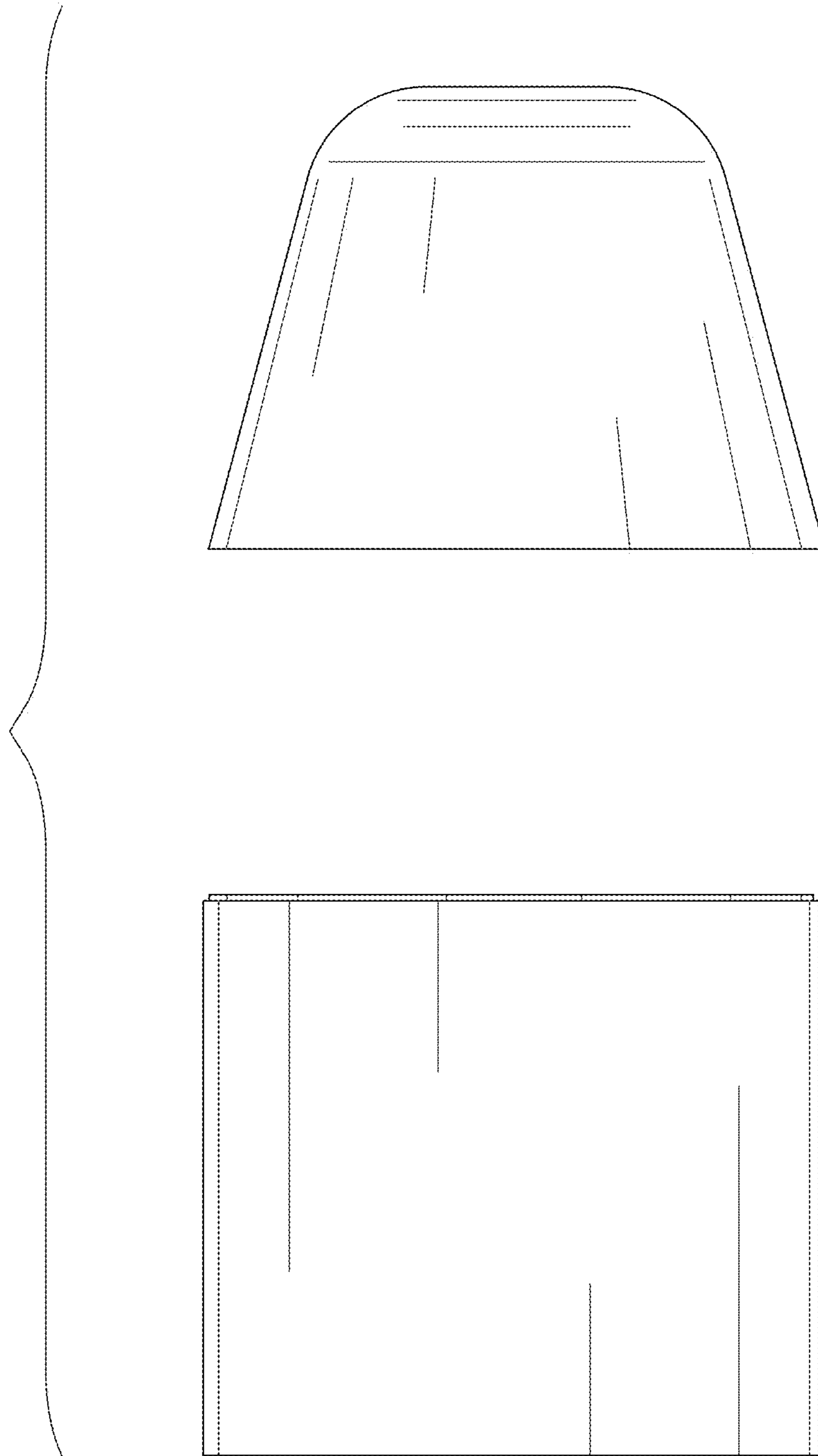


FIG. 4



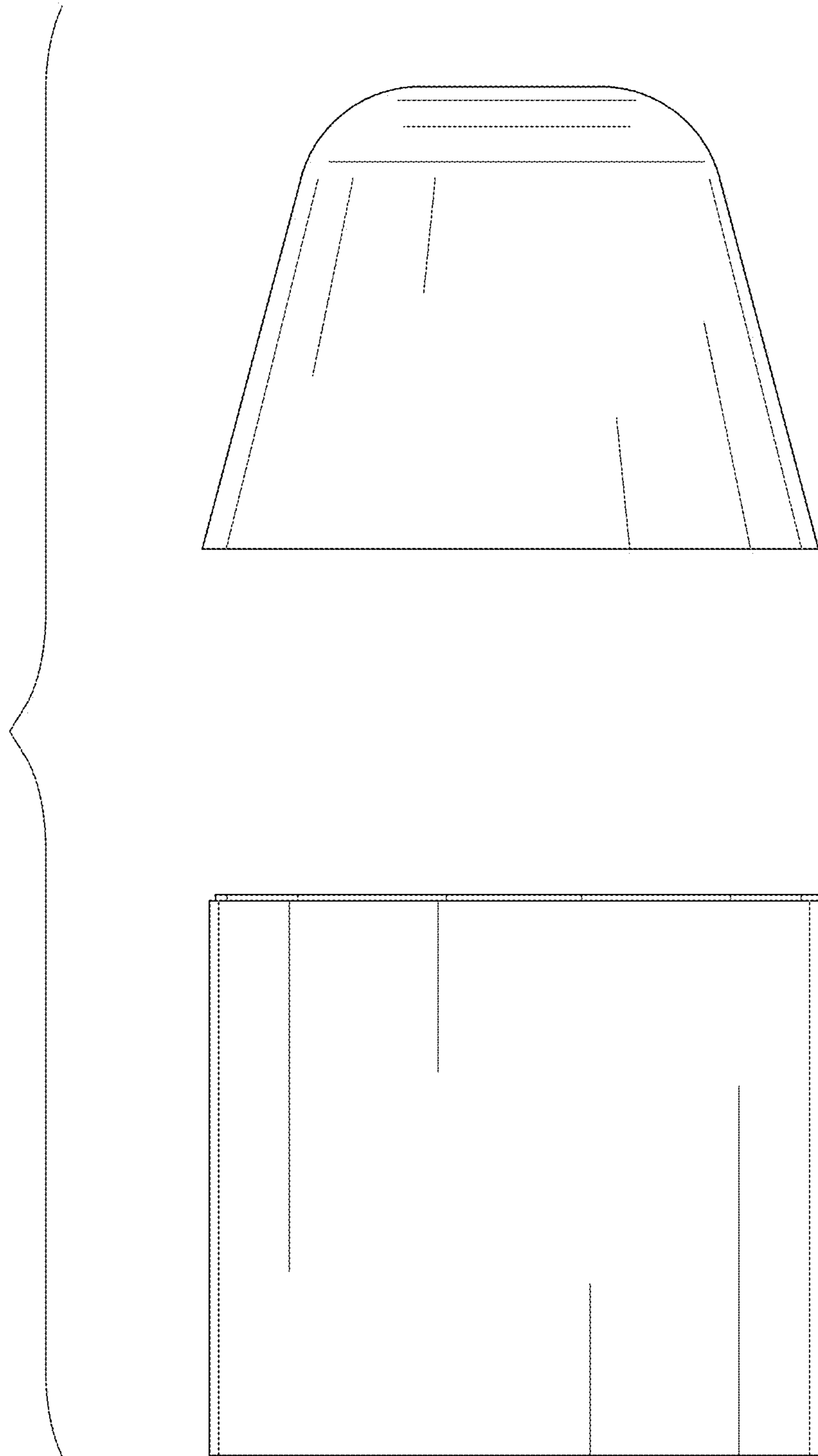


FIG. 5

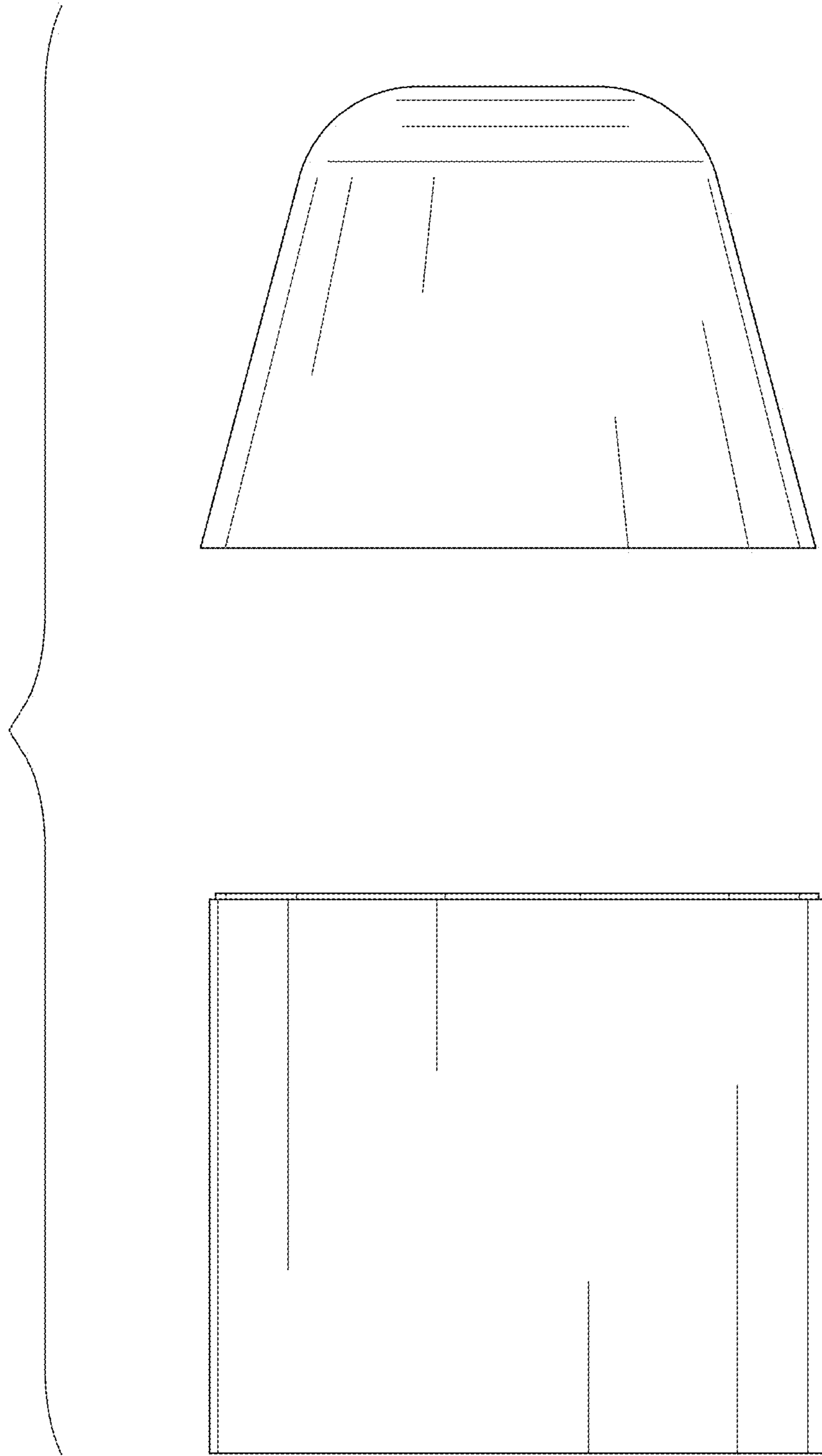


FIG. 6



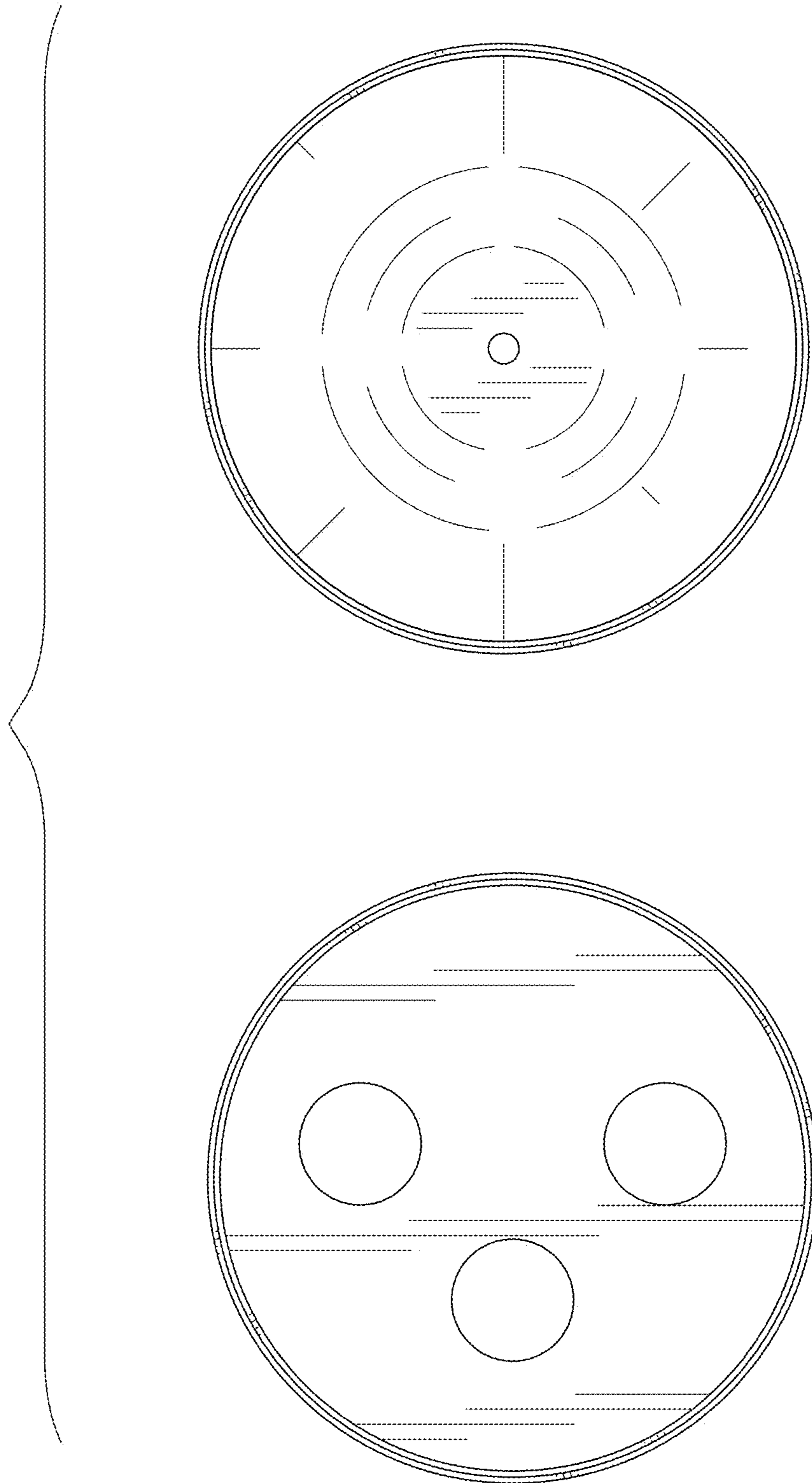


FIG. 7

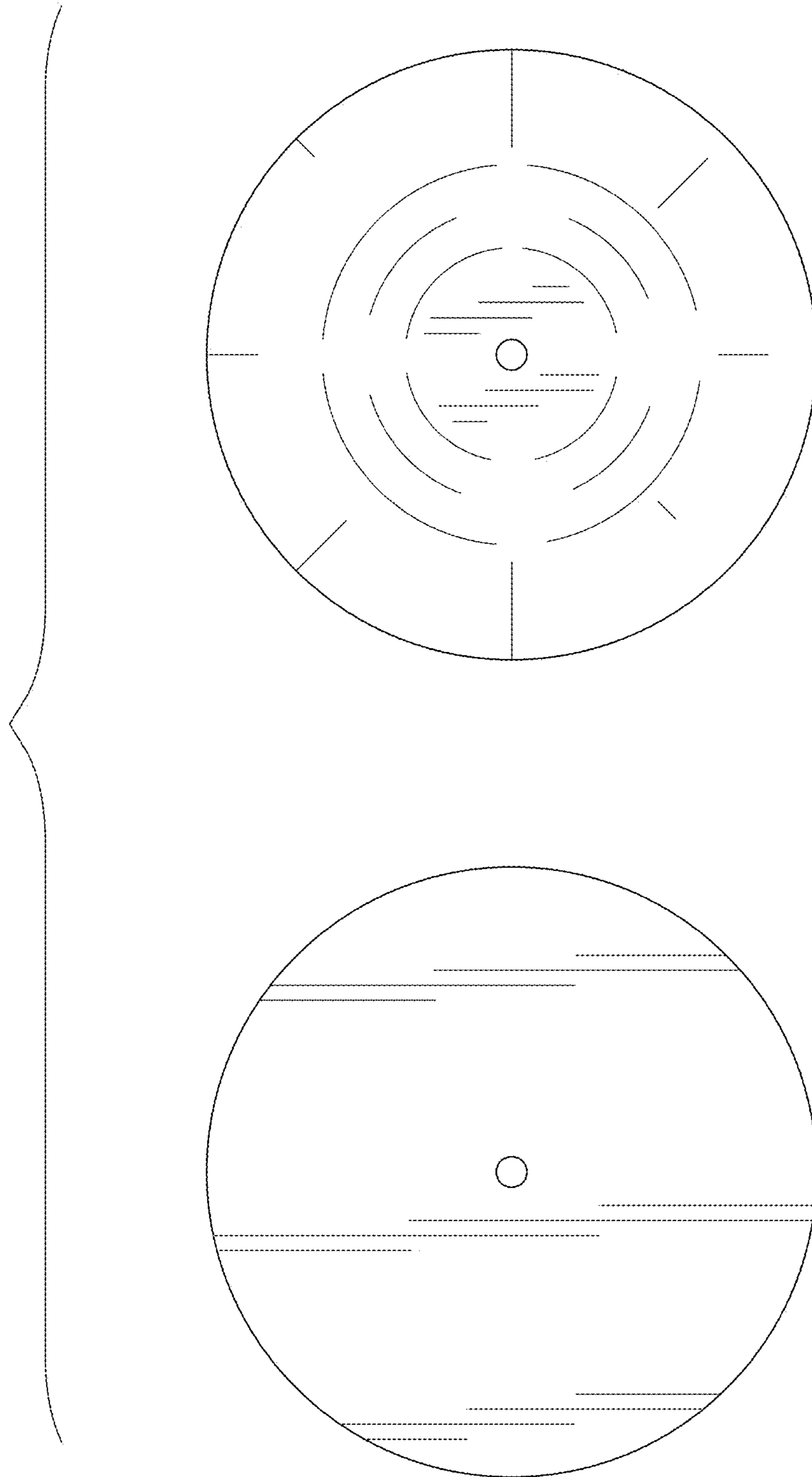


FIG. 8