



US00D944555S

(12) **United States Design Patent**
Zhang

(10) **Patent No.:** **US D944,555 S**

(45) **Date of Patent:** **** Mar. 1, 2022**

(54) **LAPTOP DESK**

(71) Applicant: **Shenzhen Prime Technology Co., Ltd,**
Shenzhen (CN)

(72) Inventor: **YuanMing Zhang,** Shenzhen (CN)

(**) Term: **15 Years**

(21) Appl. No.: **29/757,792**

(22) Filed: **Nov. 10, 2020**

(51) **LOC (13) Cl.** **06-06**

(52) **U.S. Cl.**
USPC **D6/406.5**

(58) **Field of Classification Search**
USPC D6/406.1, 406.2, 406.3, 406.5, 406.6,
D6/512, 685-686, 691, 704, 705;
D7/500, 550.1, 552.1, 552.2, 554.3, 555
CPC A47G 23/06; A47G 23/08; A47G 23/0608;
A47G 29/093; A47B 13/08; A47B 23/00;
A47B 23/002

See application file for complete search history.

(56) **References Cited**

U.S. PATENT DOCUMENTS

D308,450 S *	6/1990	Harris	D6/406.6
5,081,936 A *	1/1992	Drieling	B60N 3/002 108/25
D331,330 S *	12/1992	Bennett	D6/406.3
D353,276 S *	12/1994	Foran	D19/113
D354,187 S *	1/1995	Daukus	D6/406.3
D426,409 S *	6/2000	Clark	D6/406.5
D467,933 S *	12/2002	Hovsepian	D14/458
D499,575 S *	12/2004	Chan	D6/406.3
D526,810 S *	8/2006	Lorr	D6/406.5
D575,077 S *	8/2008	Kessels	D6/406.3
D583,164 S *	12/2008	Jennings	D6/406.6
D609,027 S *	2/2010	Jennings	D6/406.5
D619,823 S *	7/2010	Jennings	D6/406.3

D653,873 S *	2/2012	Chauss	D6/406.3
D663,546 S *	7/2012	Jennings	D6/406.3
D794,974 S *	8/2017	Jennings	D6/406.3
D831,373 S *	10/2018	Wilson	D6/406.3
D836,937 S *	1/2019	Sullins	D6/406.3
D843,752 S *	3/2019	Sullins	D6/406.5
D848,757 S *	5/2019	Kelly	D6/406.3
D853,147 S *	7/2019	Chen	D6/406.5
D856,701 S *	8/2019	Flanagan	D6/406.3
D887,166 S *	6/2020	Ren	D6/406.5
D906,719 S *	1/2021	Sullins	D6/406.5
D913,720 S *	3/2021	Zhang	D6/406.6
D914,393 S *	3/2021	Xie	D6/406.6
D917,914 S *	5/2021	Deng	D6/406.5
D922,090 S *	6/2021	Zhang	D6/406.6

* cited by examiner

Primary Examiner — Kelley A Donnelly

(57) **CLAIM**

The ornamental design for a laptop desk, as shown and described.

DESCRIPTION

FIG. 1 is a first perspective view of a laptop desk showing my new design;

FIG. 2 is a second perspective view thereof;

FIG. 3 is a front view thereof;

FIG. 4 is a back view thereof;

FIG. 5 is a left side view thereof;

FIG. 6 is a right side view thereof;

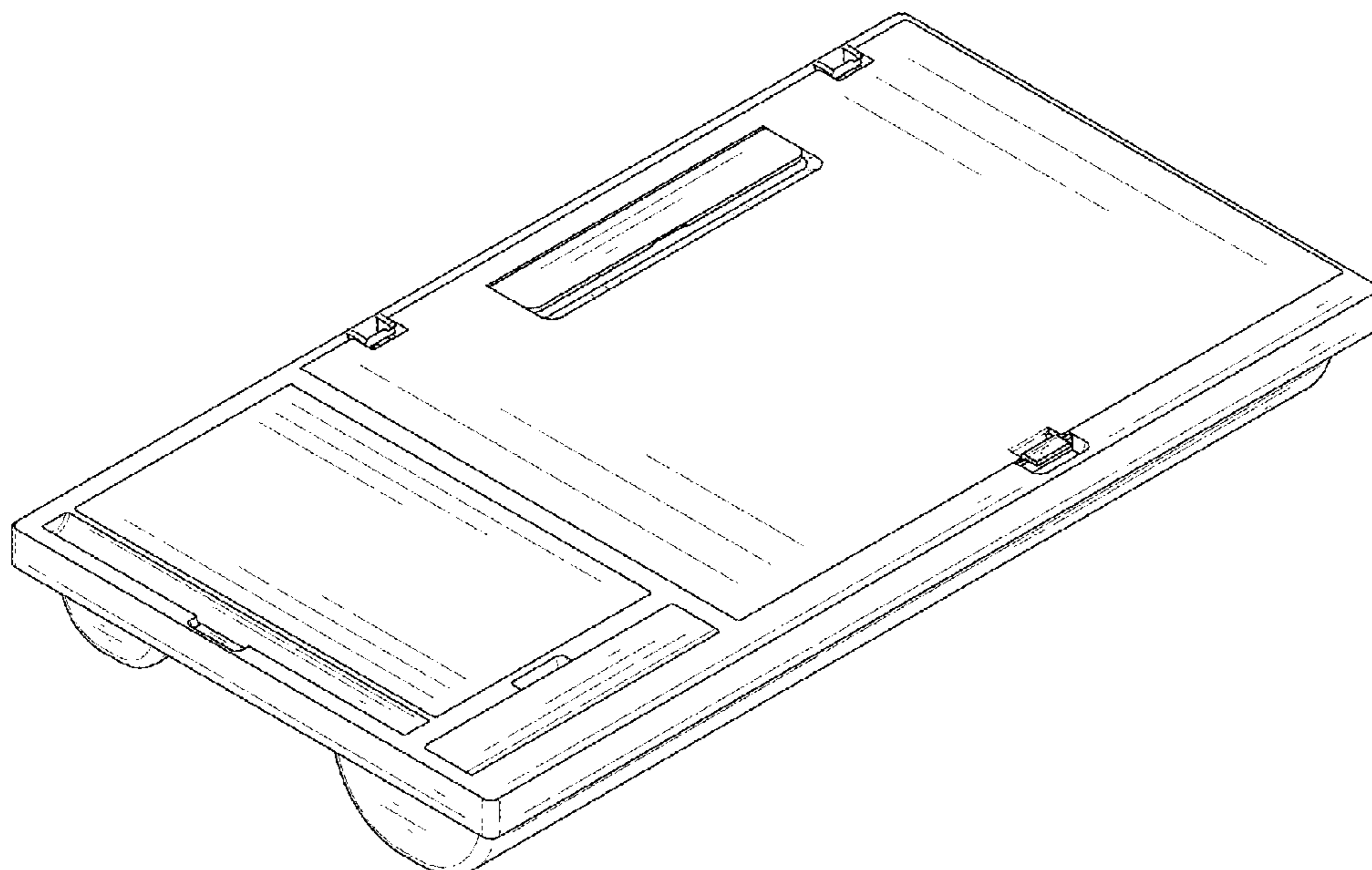
FIG. 7 is a top view thereof;

FIG. 8 is a bottom view thereof; and,

FIG. 9 is a perspective view of another state of the laptop desk thereof.

The broken lines shown in the drawings depict portions of the laptop desk in which the design is embodied that form no part of the claimed design.

1 Claim, 9 Drawing Sheets



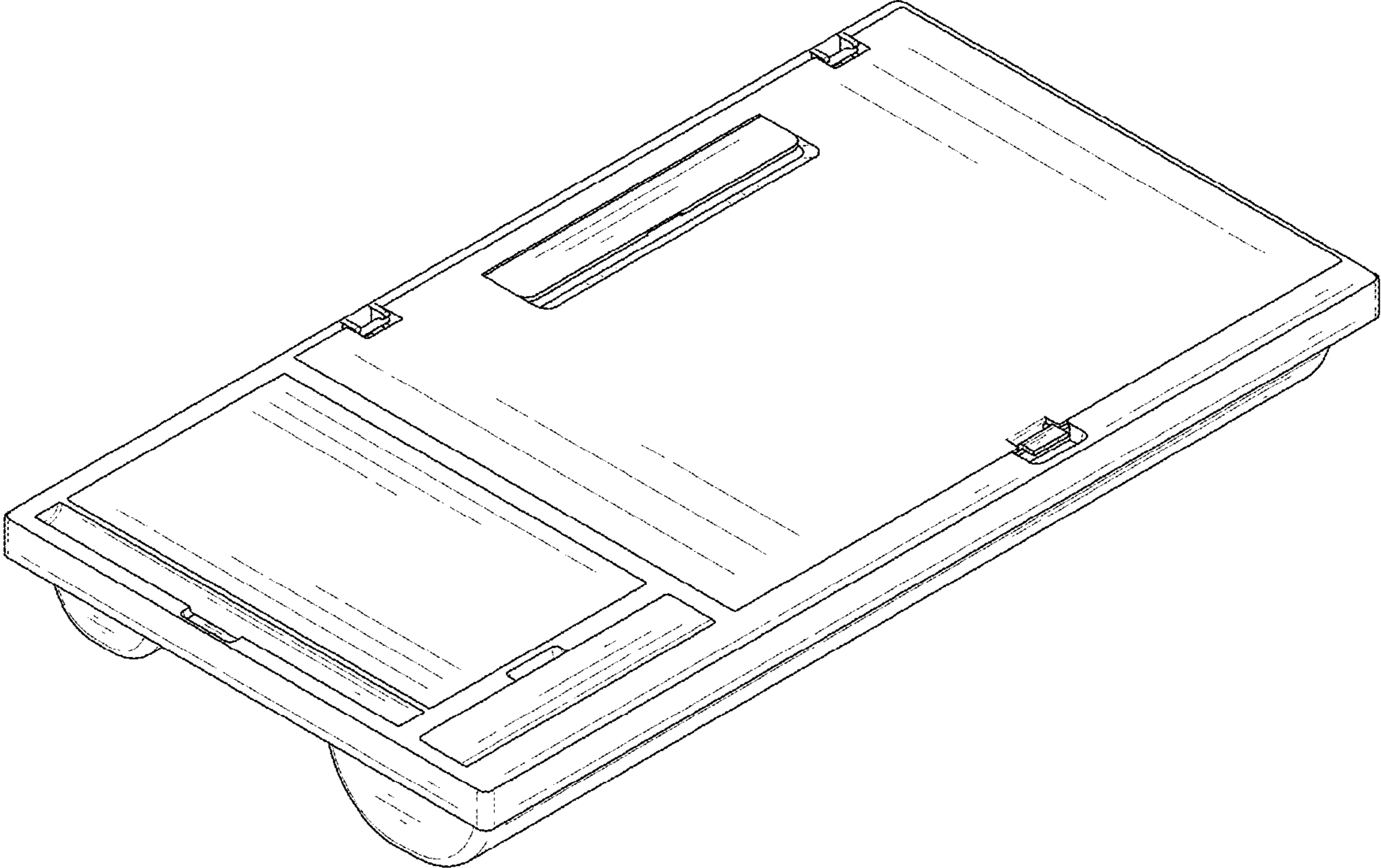


FIG. 1

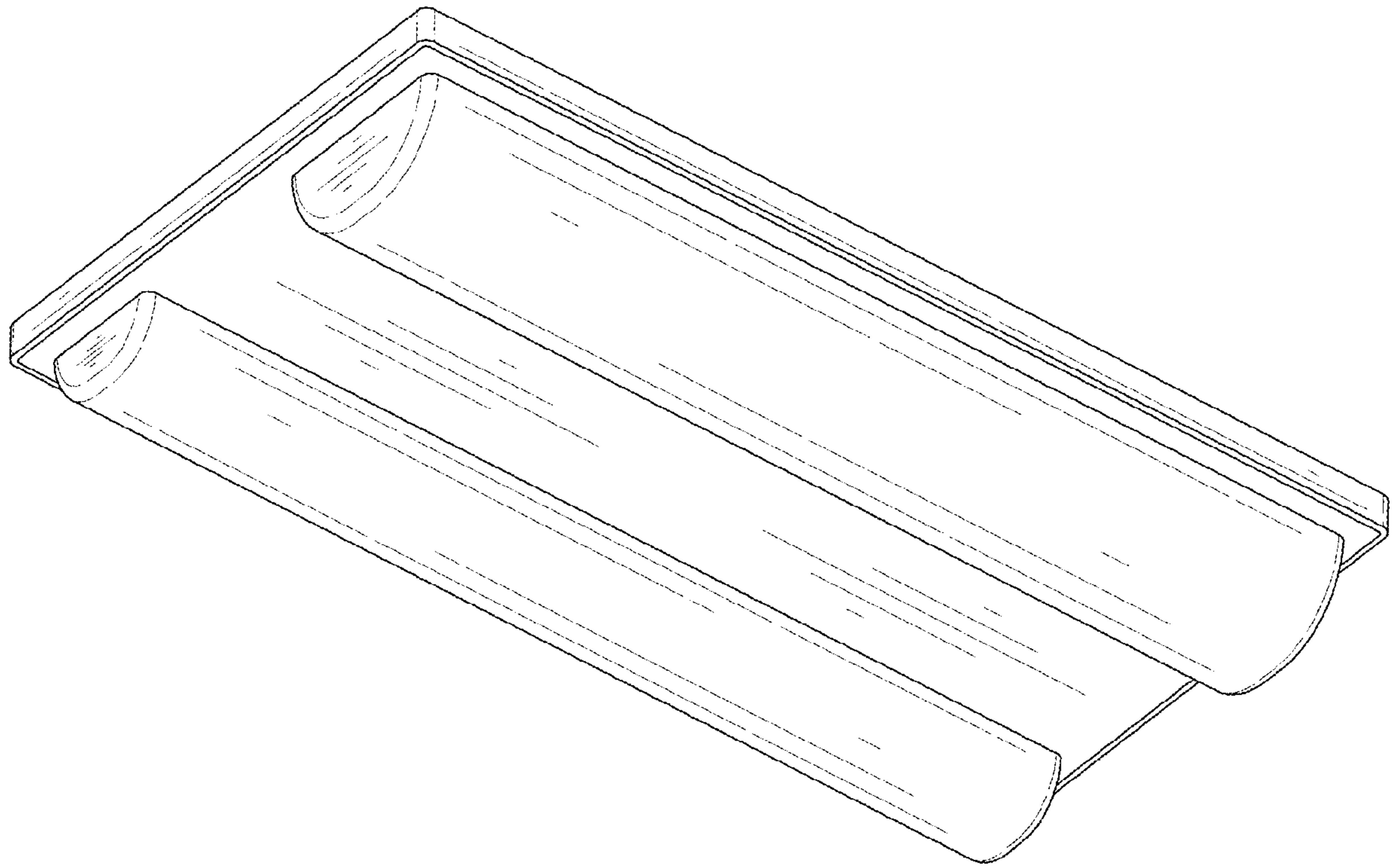


FIG. 2

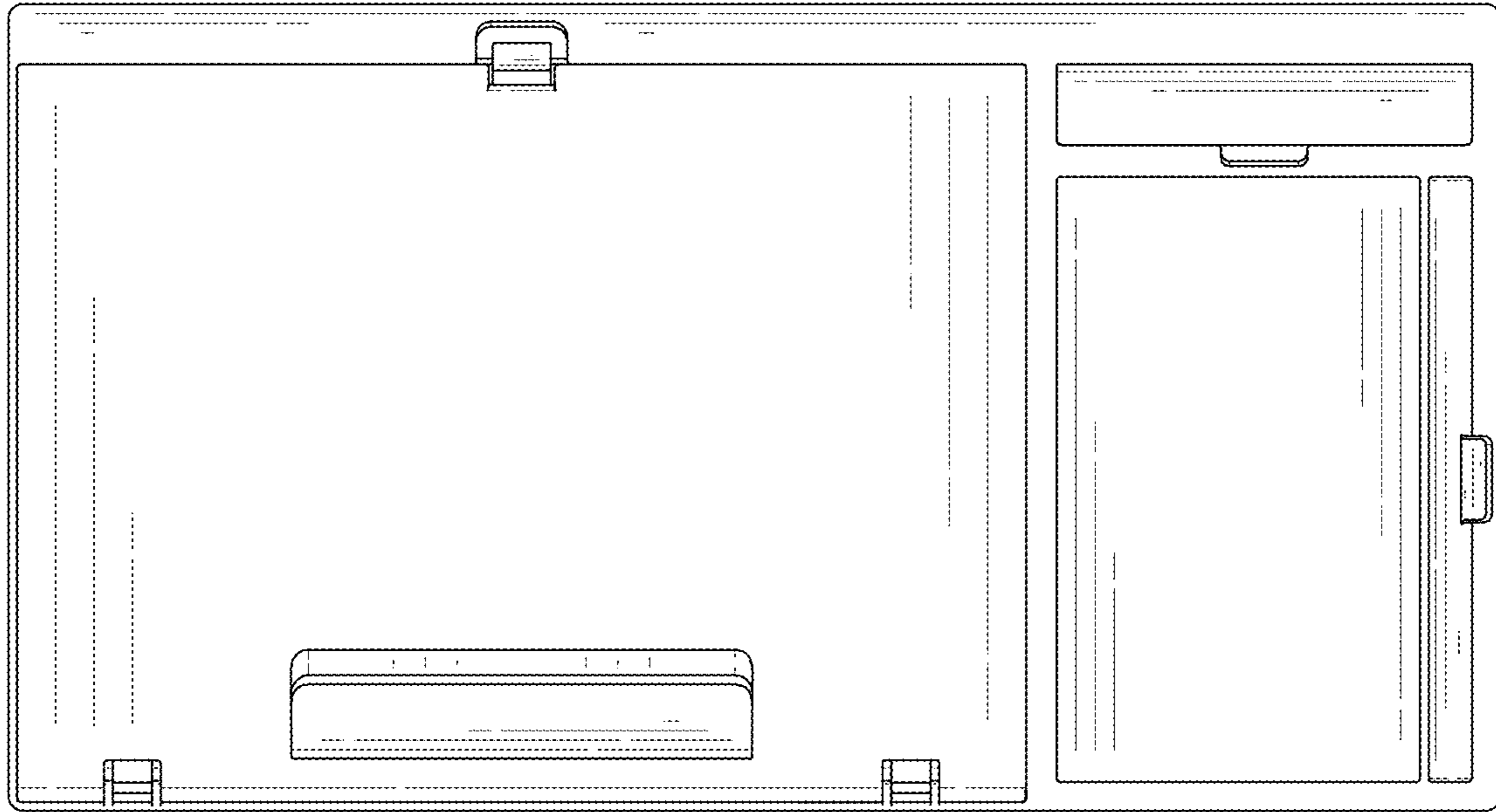


FIG. 3

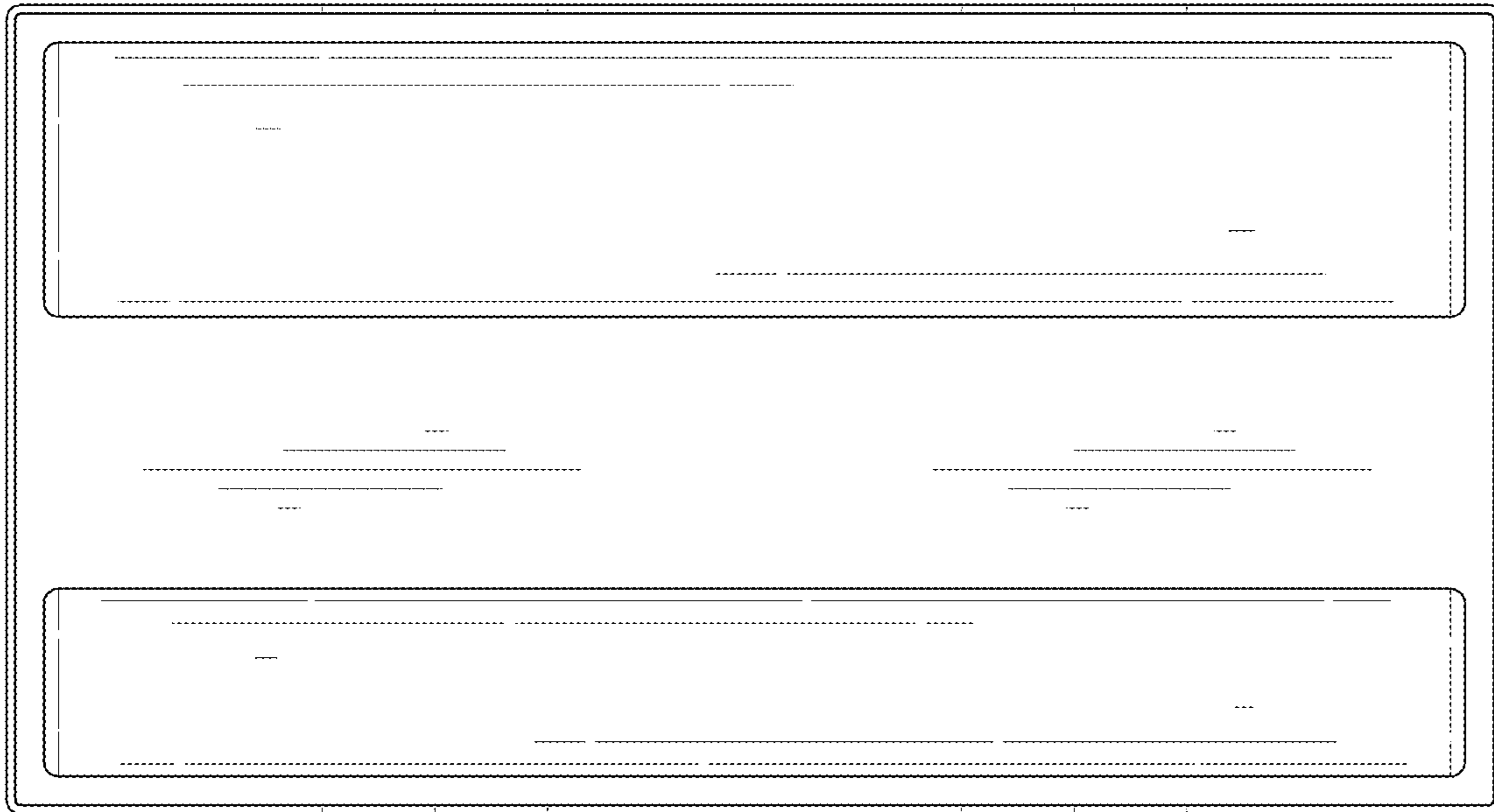


FIG. 4

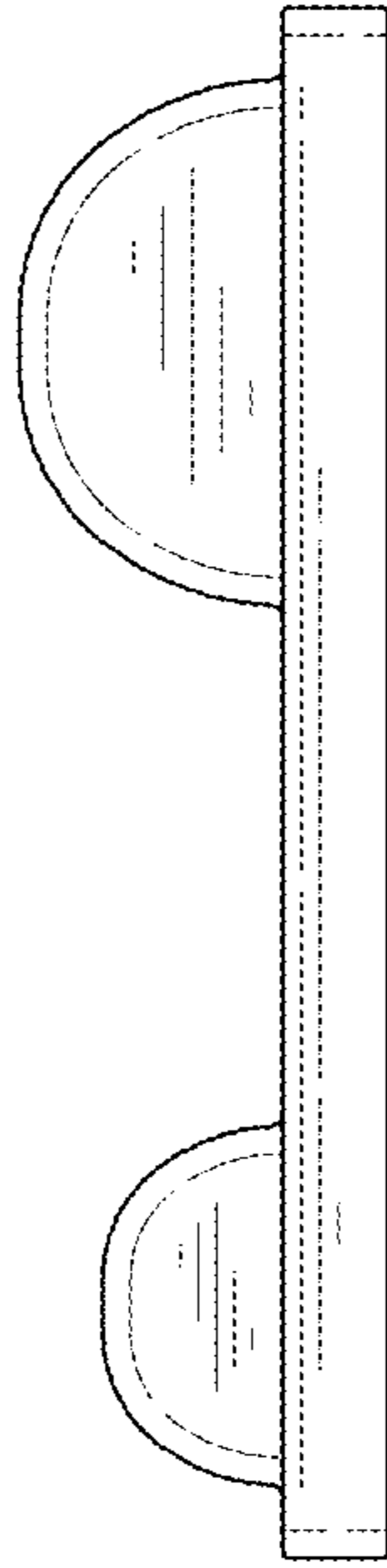


FIG. 5

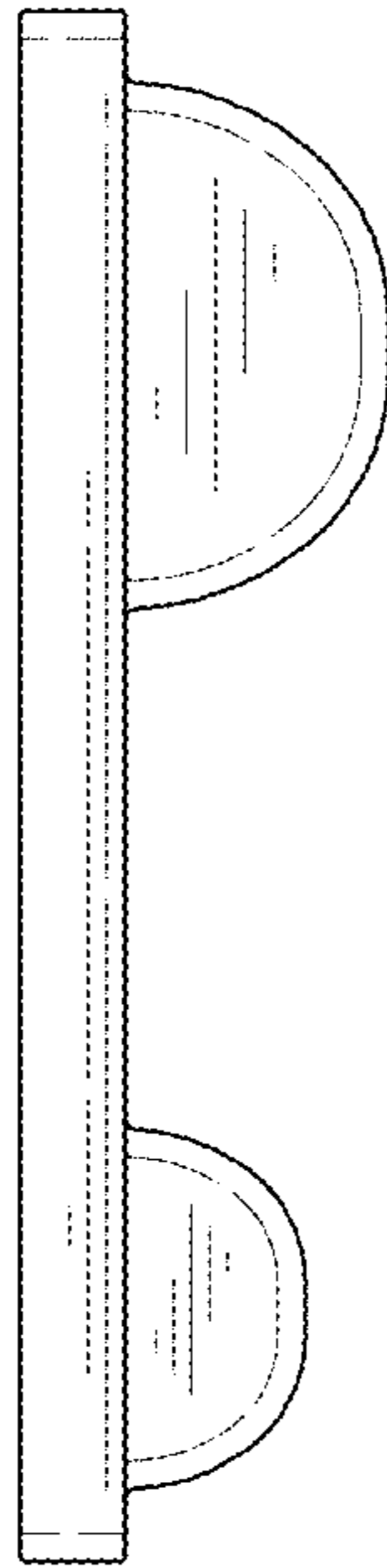


FIG. 6

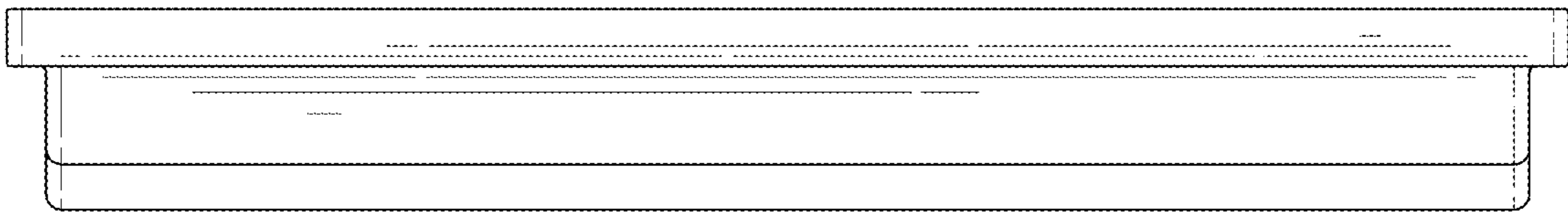


FIG. 7

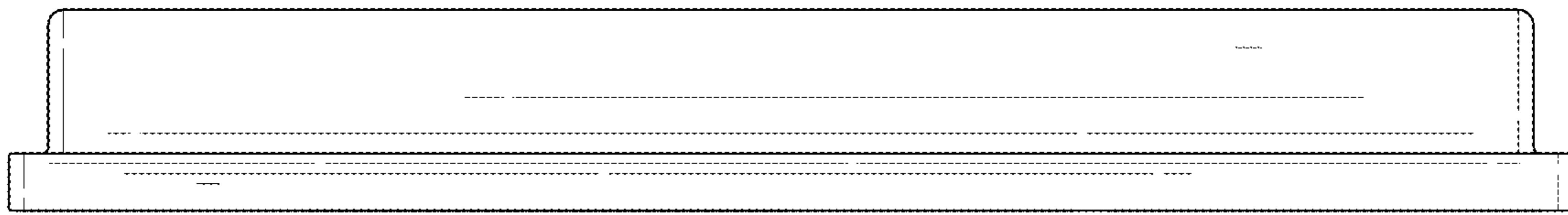


FIG. 8

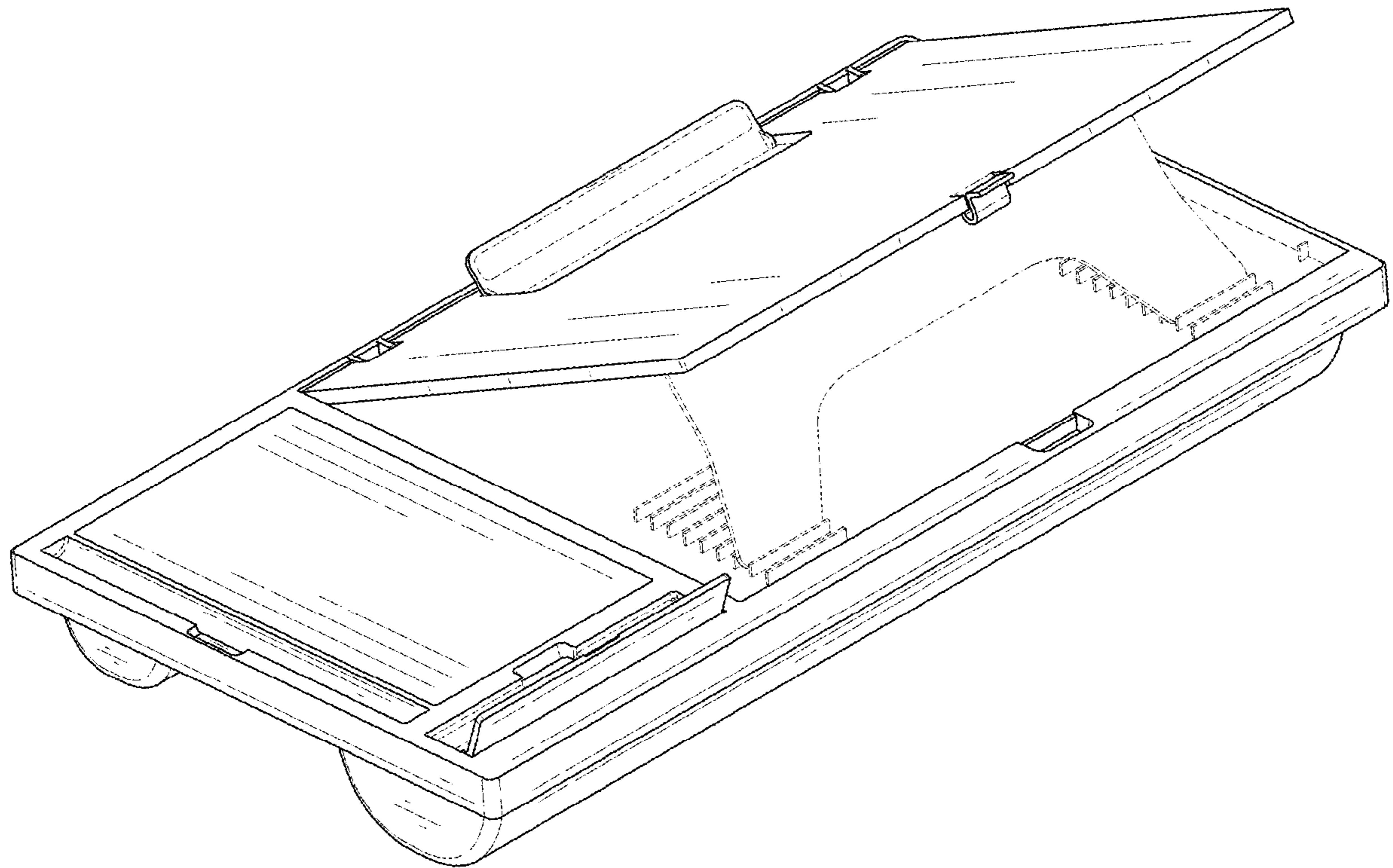


FIG. 9