



US00D944554S

(12) **United States Design Patent**
Zhang

(10) **Patent No.:** **US D944,554 S**

(45) **Date of Patent:** **** Mar. 1, 2022**

(54) **LAPTOP DESK**

(71) Applicant: **Shenzhen Prime Technology Co., Ltd,**
Shenzhen (CN)

(72) Inventor: **YuanMing Zhang,** Shenzhen (CN)

(**) Term: **15 Years**

(21) Appl. No.: **29/757,790**

(22) Filed: **Nov. 10, 2020**

(51) **LOC (13) Cl.** **06-06**

(52) **U.S. Cl.**
USPC **D6/406.5**

(58) **Field of Classification Search**
USPC D6/406.1, 406.2, 406.3, 406.5, 406.6,
D6/512, 685-686, 691, 704, 705;
D7/500, 550.1, 552.1, 552.2, 554.3, 555
CPC A47G 23/06; A47G 23/08; A47G 23/0608;
A47G 29/093; A47B 13/08; A47B 23/00;
A47B 23/002

See application file for complete search history.

D619,823 S * 7/2010 Jennings D6/406.3
D653,873 S * 2/2012 Chauss D6/406.3
D663,546 S * 7/2012 Jennings D6/406.3
D794,974 S * 8/2017 Jennings D6/406.3
D831,373 S * 10/2018 Wilson D6/406.3
D836,937 S * 1/2019 Sullins D6/406.3
D843,752 S * 3/2019 Sullins D6/406.5
D848,757 S * 5/2019 Kelly D6/406.3
D853,147 S * 7/2019 Chen D6/406.5
D856,701 S * 8/2019 Flanagan D6/406.3
D887,166 S * 6/2020 Ren D6/406.5
D906,719 S * 1/2021 Sullins D6/406.5
D913,720 S * 3/2021 Zhang D6/406.6
D914,393 S * 3/2021 Xie D6/406.6
D917,914 S * 5/2021 Deng D6/406.5
D922,090 S * 6/2021 Zhang D6/406.6

* cited by examiner

Primary Examiner — Kelley A Donnelly

(57) **CLAIM**

The ornamental design for a laptop desk, as shown and described.

DESCRIPTION

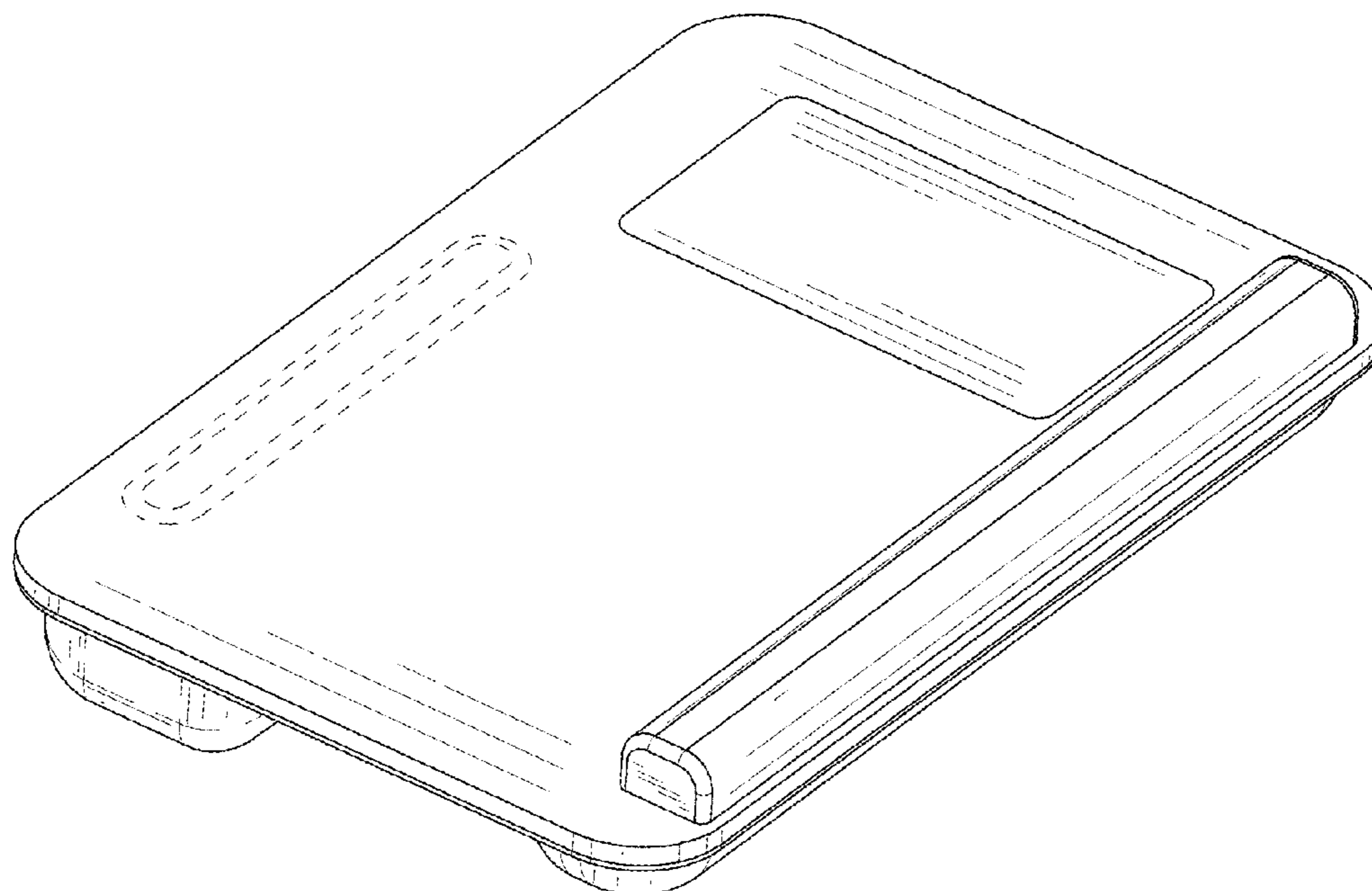
FIG. 1 is a first perspective view of a laptop desk showing my new design;
FIG. 2 is a second perspective view thereof;
FIG. 3 is a front view thereof;
FIG. 4 is a back view thereof;
FIG. 5 is a left side view thereof;
FIG. 6 is a right side view thereof;
FIG. 7 is a top view thereof; and,
FIG. 8 is a bottom view thereof.

The broken lines shown in the drawings depict portions of the laptop desk in which the design is embodied that form no part of the claimed design.

1 Claim, 8 Drawing Sheets

(56) **References Cited**
U.S. PATENT DOCUMENTS

D308,450 S * 6/1990 Harris D6/406.6
5,081,936 A * 1/1992 Drieling B60N 3/002
108/25
D331,330 S * 12/1992 Bennett D6/406.3
D353,276 S * 12/1994 Foran D19/113
D354,187 S * 1/1995 Daukus D6/406.3
D426,409 S * 6/2000 Clark D6/406.5
D467,933 S * 12/2002 Hovsepian D14/458
D499,575 S * 12/2004 Chan D6/406.3
D526,810 S * 8/2006 Lorr D6/406.5
D575,077 S * 8/2008 Kessels D6/406.3
D583,164 S * 12/2008 Jennings D6/406.6
D609,027 S * 2/2010 Jennings D6/406.5



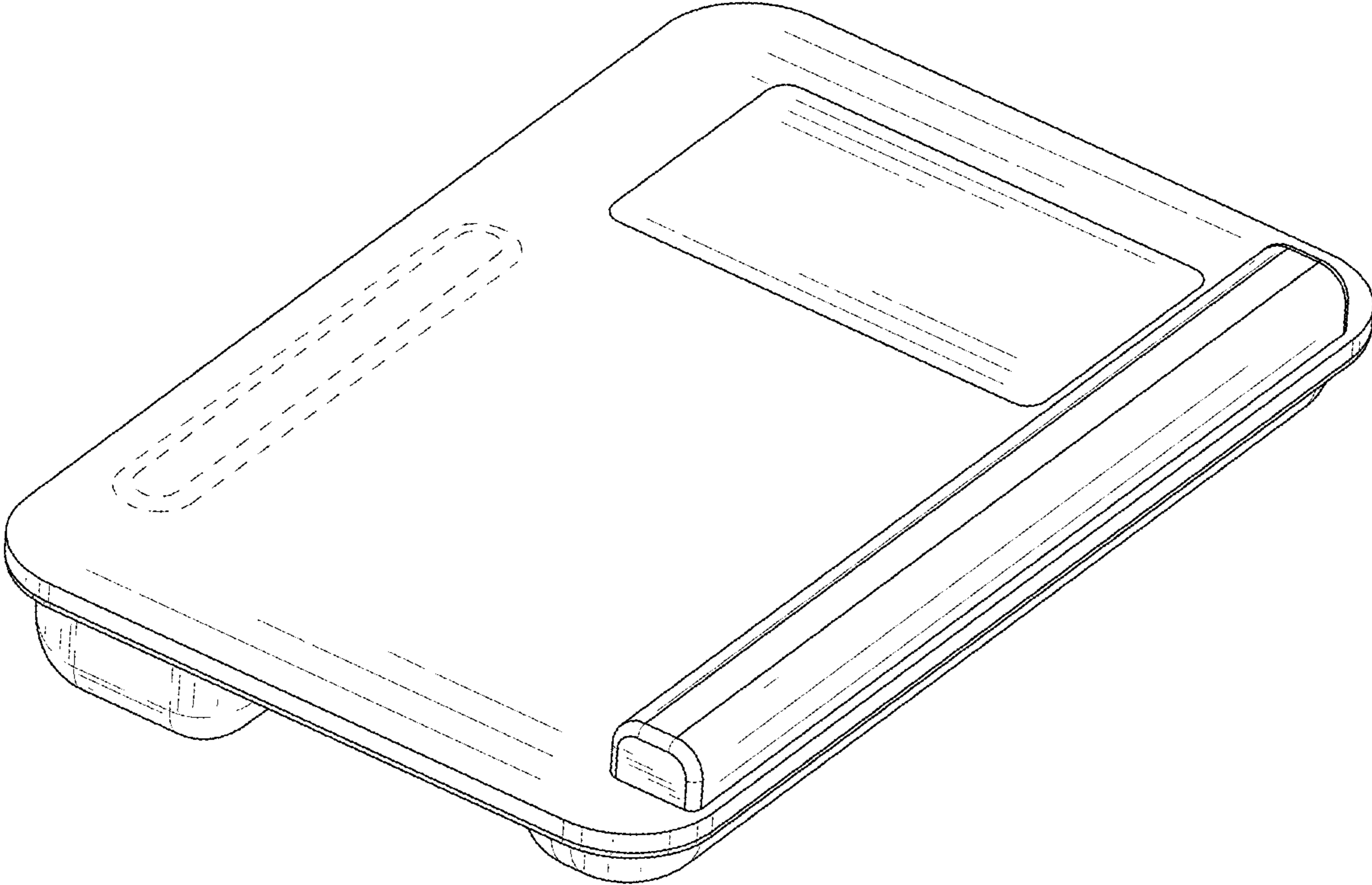


FIG. 1

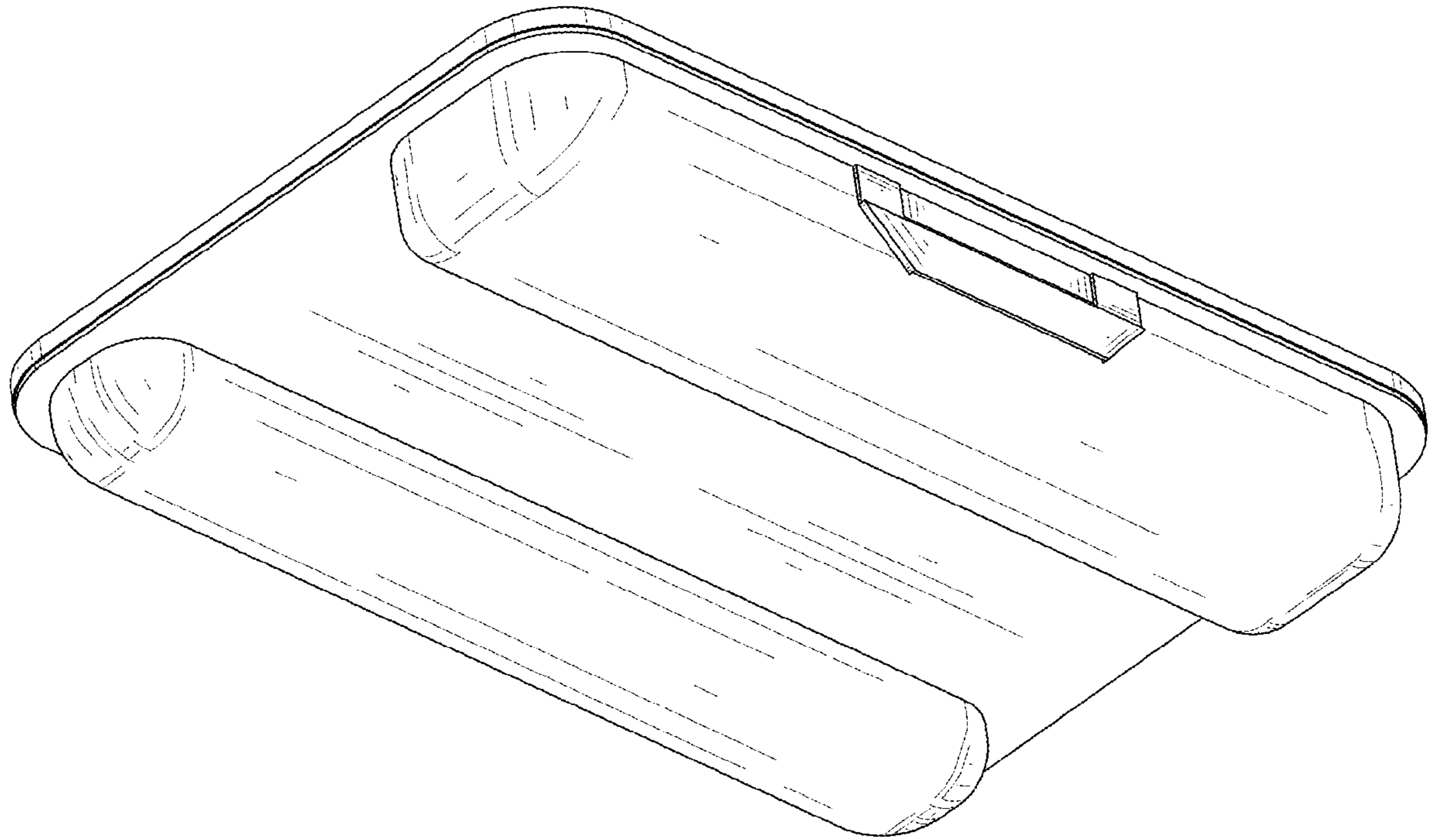


FIG. 2

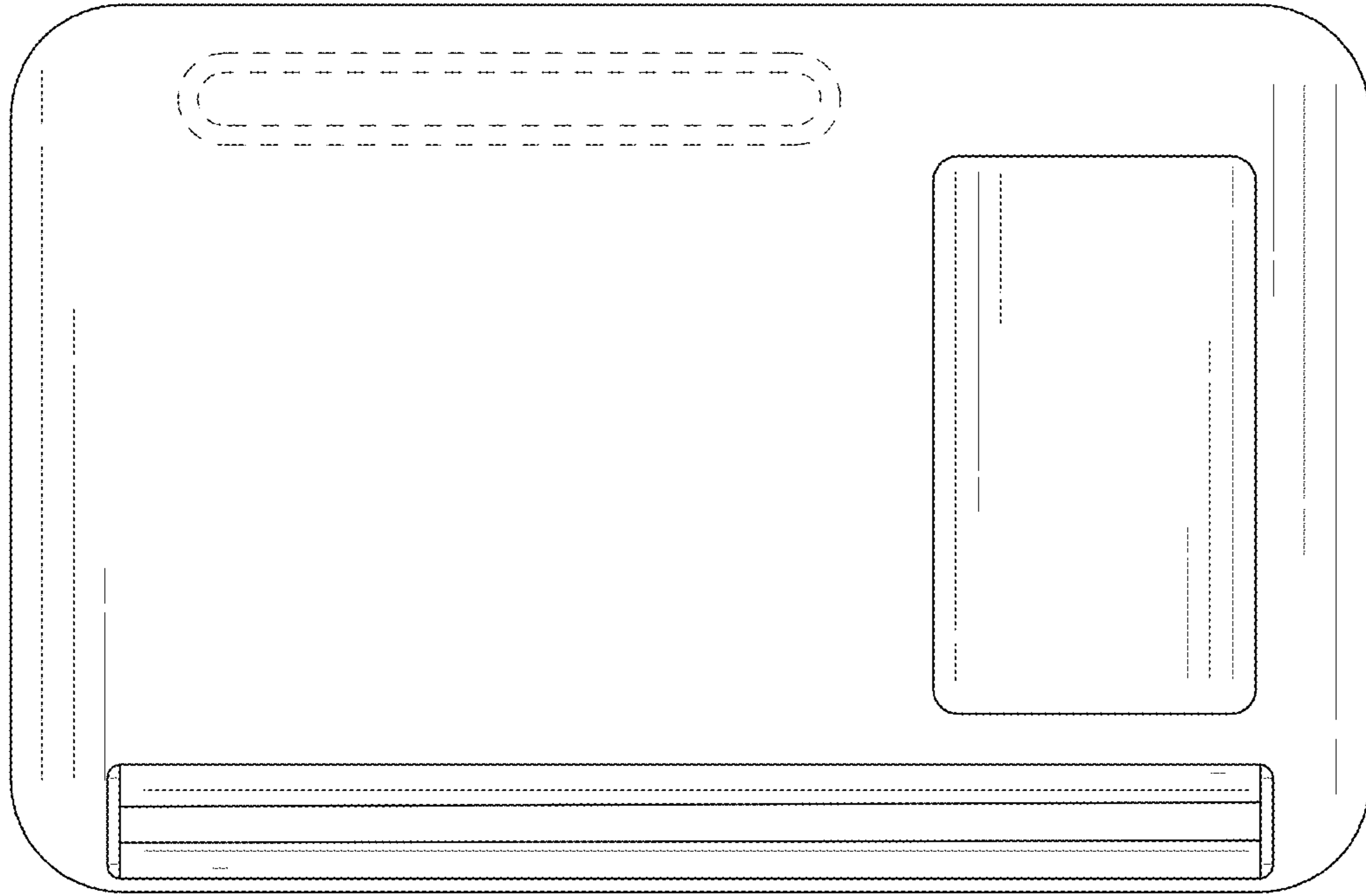


FIG. 3

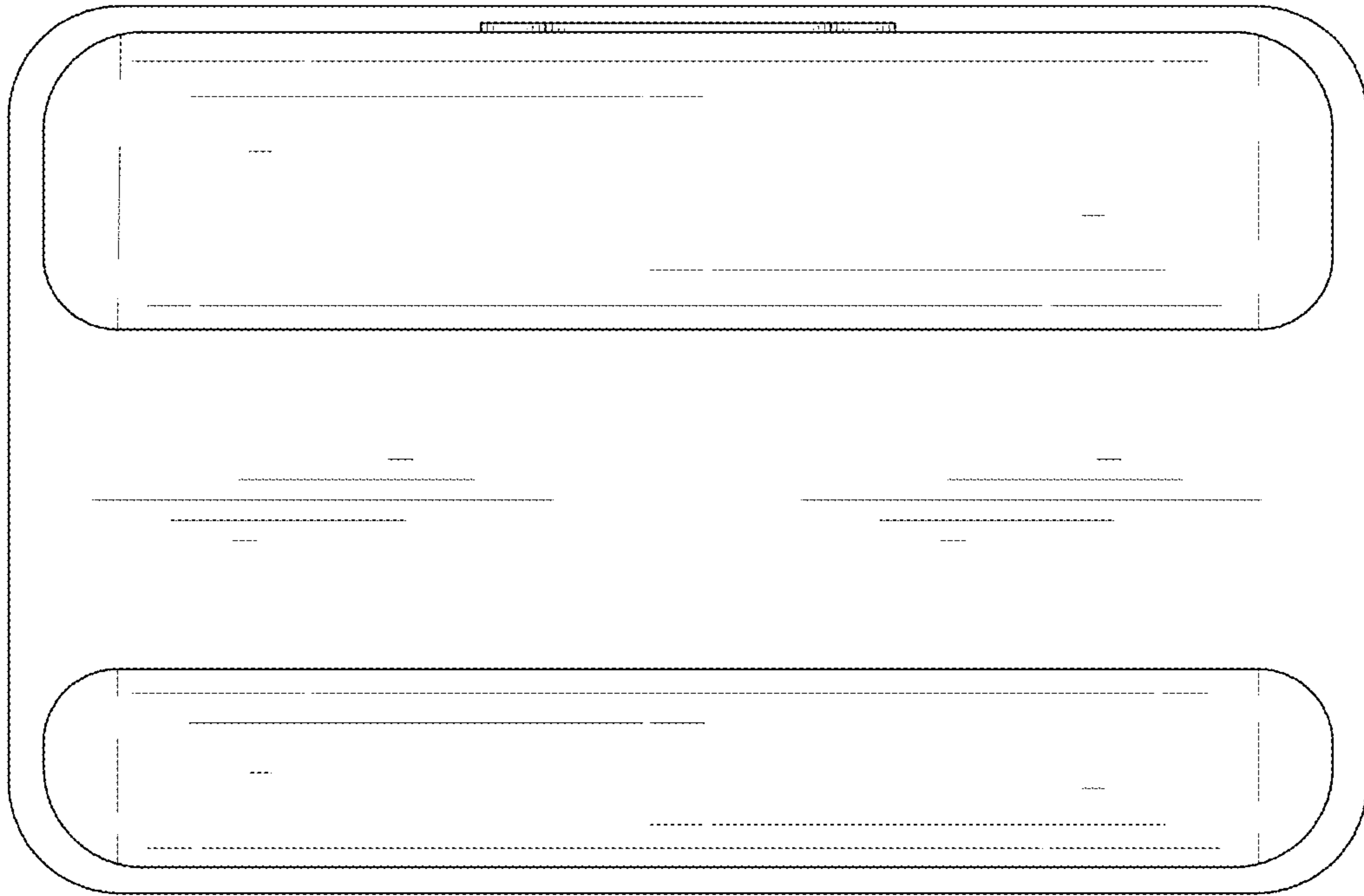


FIG. 4

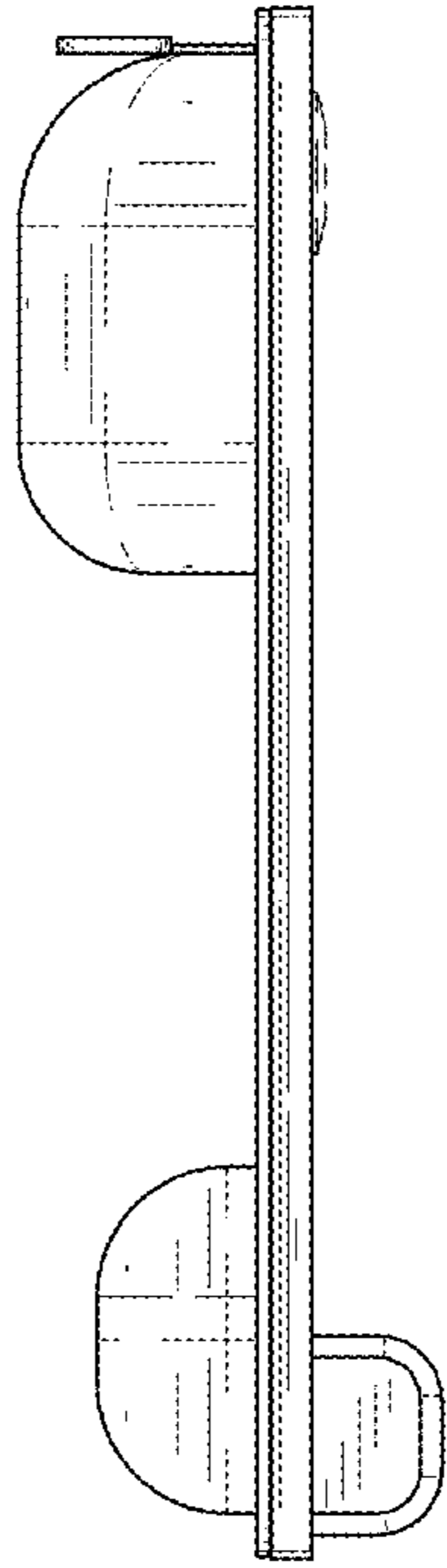


FIG. 5

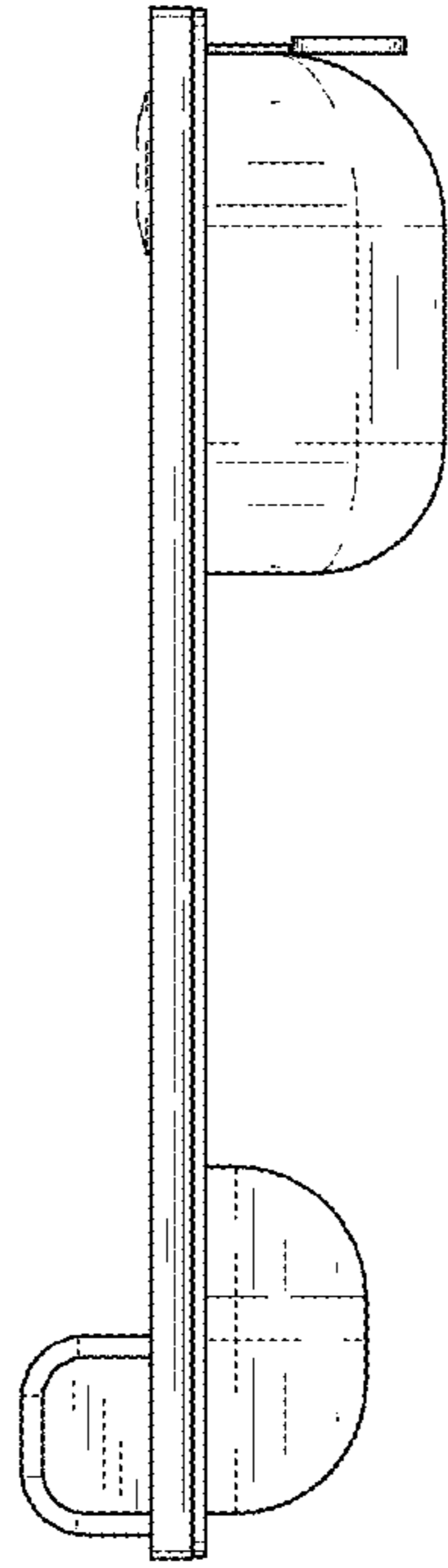


FIG. 6

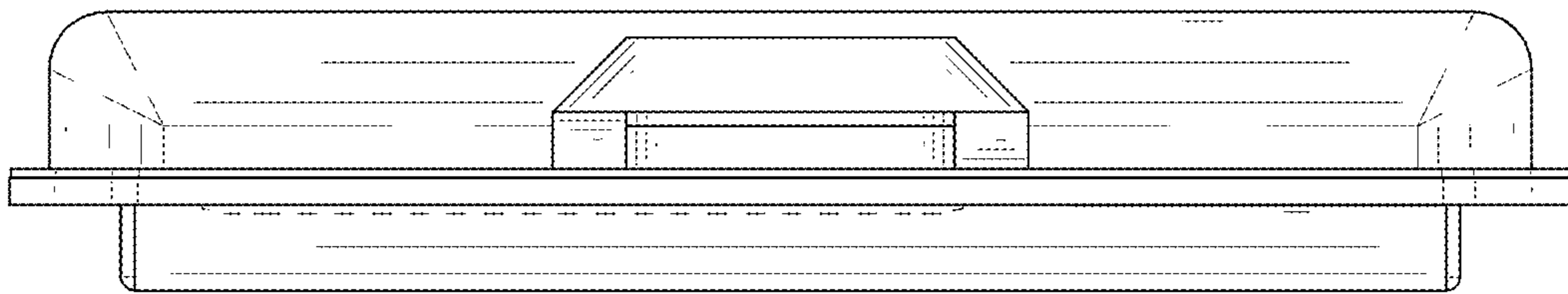


FIG. 7

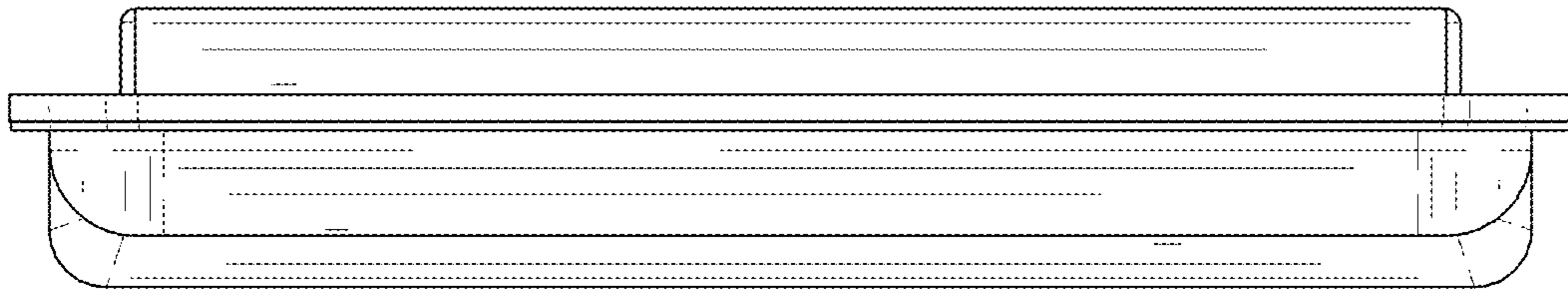


FIG. 8