



US00D944552S

(12) **United States Design Patent** (10) **Patent No.:** **US D944,552 S**  
**Tran** (45) **Date of Patent:** **\*\* Mar. 1, 2022**

(54) **CHAIR**  
(71) Applicant: **Minh Dat Duy Tran**, Huntington Beach, CA (US)  
(72) Inventor: **Minh Dat Duy Tran**, Huntington Beach, CA (US)  
(\*\*) Term: **15 Years**  
(21) Appl. No.: **29/739,511**  
(22) Filed: **Jun. 25, 2020**  
(51) **LOC (13) Cl.** ..... **06-01**  
(52) **U.S. Cl.**  
USPC ..... **D6/380**  
(58) **Field of Classification Search**  
USPC ..... D6/333, 334, 341, 348, 349, 350, 352, D6/353, 360, 364, 369, 370, 371, 373, D6/374, 375, 376, 377, 379, 380, 390, D6/677, 692, 700, 708, 708.16, 716; D16/237; D21/412, 419, 521  
CPC ..... A47C 1/124; A47C 3/34; A47C 4/028; A47C 4/02; A47C 5/12; A47C 5/125; A47C 7/506; A47C 9/007; A47C 13/005; A47C 13/023; A47C 31/113; A47C 31/02; A47C 5/06; A47C 5/08; B60R 2/0284; B60R 2/062; B60R 22/001; B60R 22/24; B60R 22/28; B60R 22/58; B60R 22/64; B60R 22/68; B60R 22/80; B60R 22/99; B60R 22/245; B60R 22/643; B60R 22/646; B60R 22/665; B60R 22/686; B60R 22/688; B60R 22/803; B60R 22/986; B60R 22/914; B60R 22/995  
See application file for complete search history.

D518,656 S \* 4/2006 Van Hooydonk ..... D6/374  
D607,661 S \* 1/2010 Chadwick ..... D6/380  
D617,567 S \* 6/2010 Stiker Metral ..... D6/360  
D656,754 S \* 4/2012 Starck ..... D6/375  
D669,701 S \* 10/2012 Starck ..... D6/375  
D752,356 S \* 3/2016 Tiet ..... D6/380  
D752,894 S \* 4/2016 Tiet ..... D6/379  
D800,474 S \* 10/2017 Tran ..... D6/380  
D813,563 S \* 3/2018 Morrison ..... D6/374  
D814,822 S \* 4/2018 Tran ..... D6/380  
D815,850 S \* 4/2018 Saotome ..... D6/380  
D843,751 S \* 3/2019 Tran ..... D6/380  
D844,343 S \* 4/2019 Tran ..... D6/380  
D844,344 S \* 4/2019 Tran ..... D6/380  
D857,416 S \* 8/2019 Tran ..... D6/380  
D885,781 S \* 6/2020 Barber ..... D6/380

(Continued)

**OTHER PUBLICATIONS**

“Doerr Stacking Patio Dining Chair (Set of 4)” Oct. 24, 2018, wayfair.com, site visited Jul. 20, 2021 <<https://www.wayfair.com/outdoor/pdp/ebern-designs-doerr-stacking-patio-dining-chair-w005759527.html>> (Year: 2018).\*

*Primary Examiner* — Kevin K Rudzinski  
*Assistant Examiner* — Paul D Bohannon  
(74) *Attorney, Agent, or Firm* — Cohen IP Law Group, P.; Michael N. Cohen

(57) **CLAIM**

I claim the ornamental design for a chair, as shown and described.

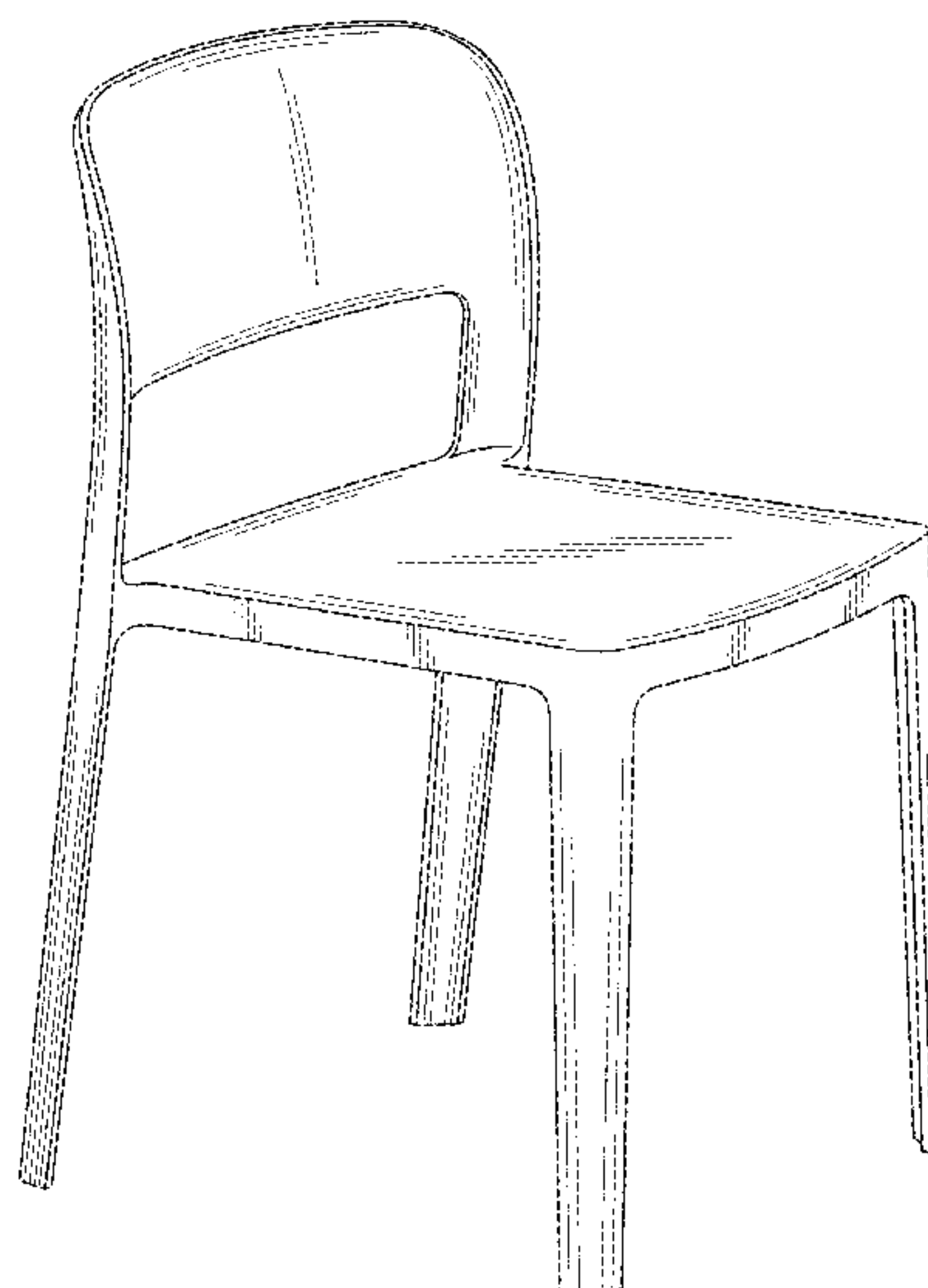
**DESCRIPTION**

FIG. 1 : Front Perspective View;  
FIG. 2 : Rear Perspective View;  
FIG. 3 : Front View;  
FIG. 4 : Rear View;  
FIG. 5 : Left Side View;  
FIG. 6 : Right Side View; and,  
FIG. 7 : Top View.

**1 Claim, 7 Drawing Sheets**

(56) **References Cited**  
U.S. PATENT DOCUMENTS

D230,543 S \* 3/1974 McDermott et al. .... D6/375  
D234,280 S \* 2/1975 Ekuan ..... D6/379  
D235,829 S \* 7/1975 Dransart ..... D6/375



(56)

**References Cited**

U.S. PATENT DOCUMENTS

D904,065 S \* 12/2020 Ballendat ..... D6/380  
2018/0226004 A1 \* 8/2018 Lin ..... A47C 1/13

\* cited by examiner

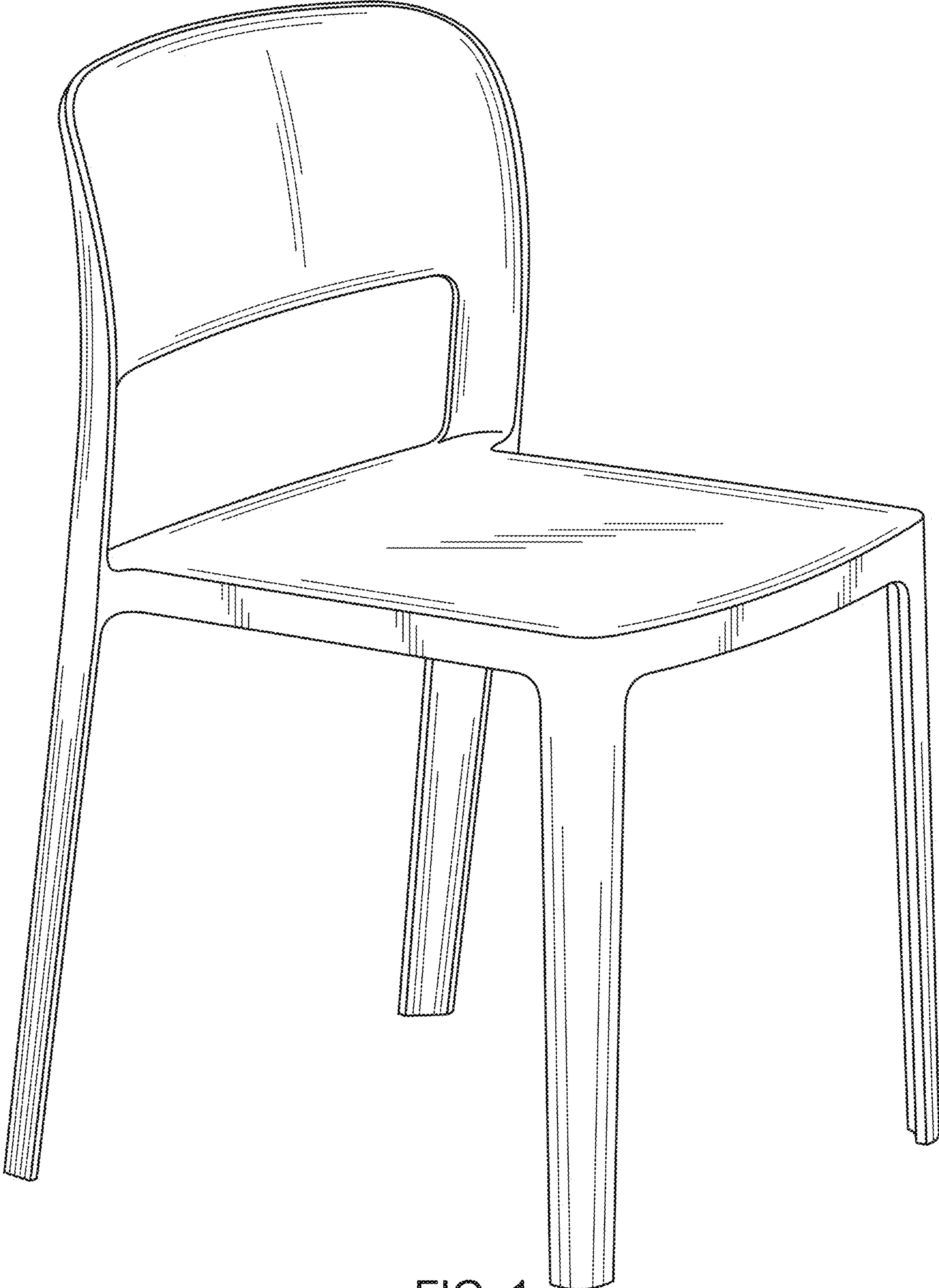


FIG. 1

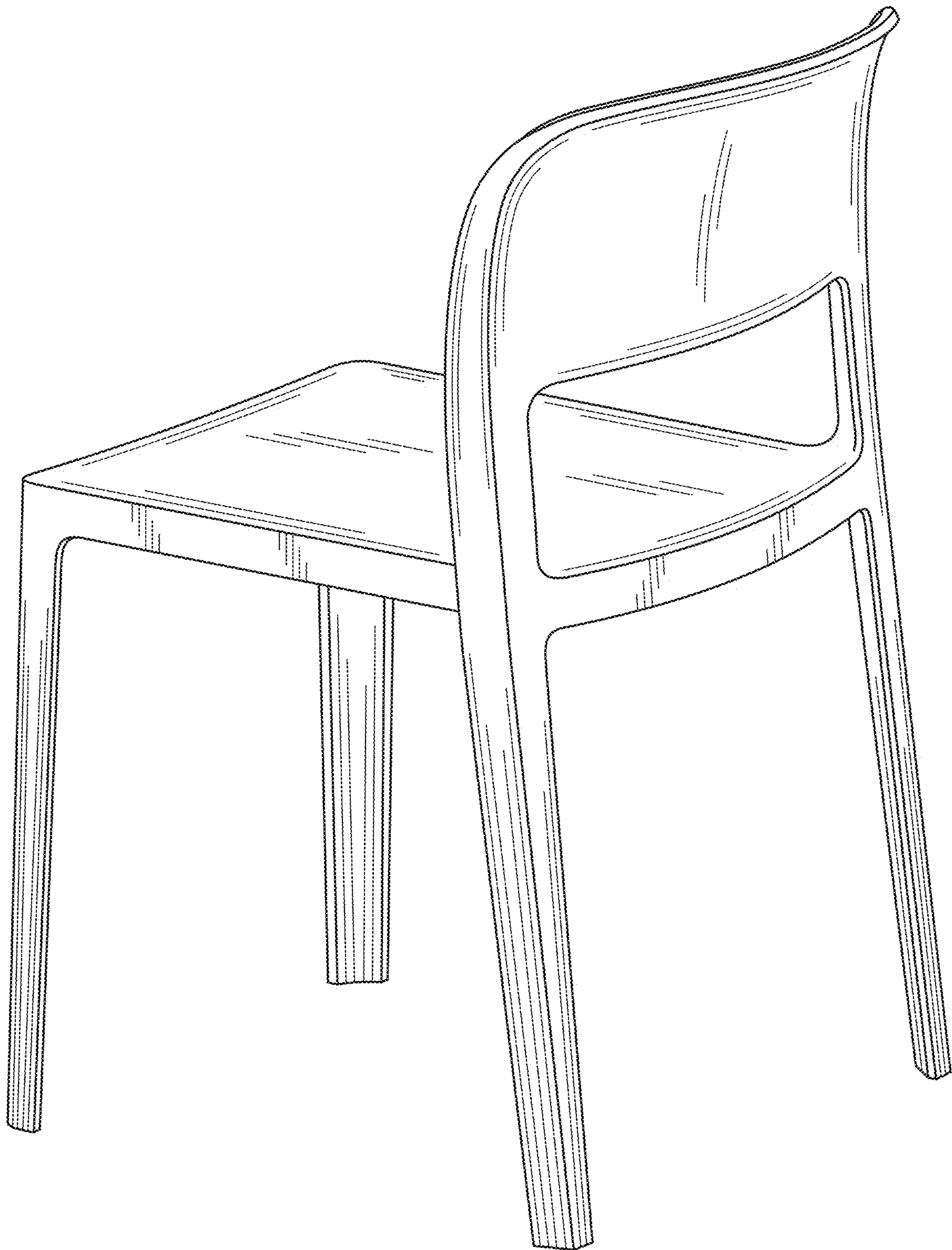


FIG. 2



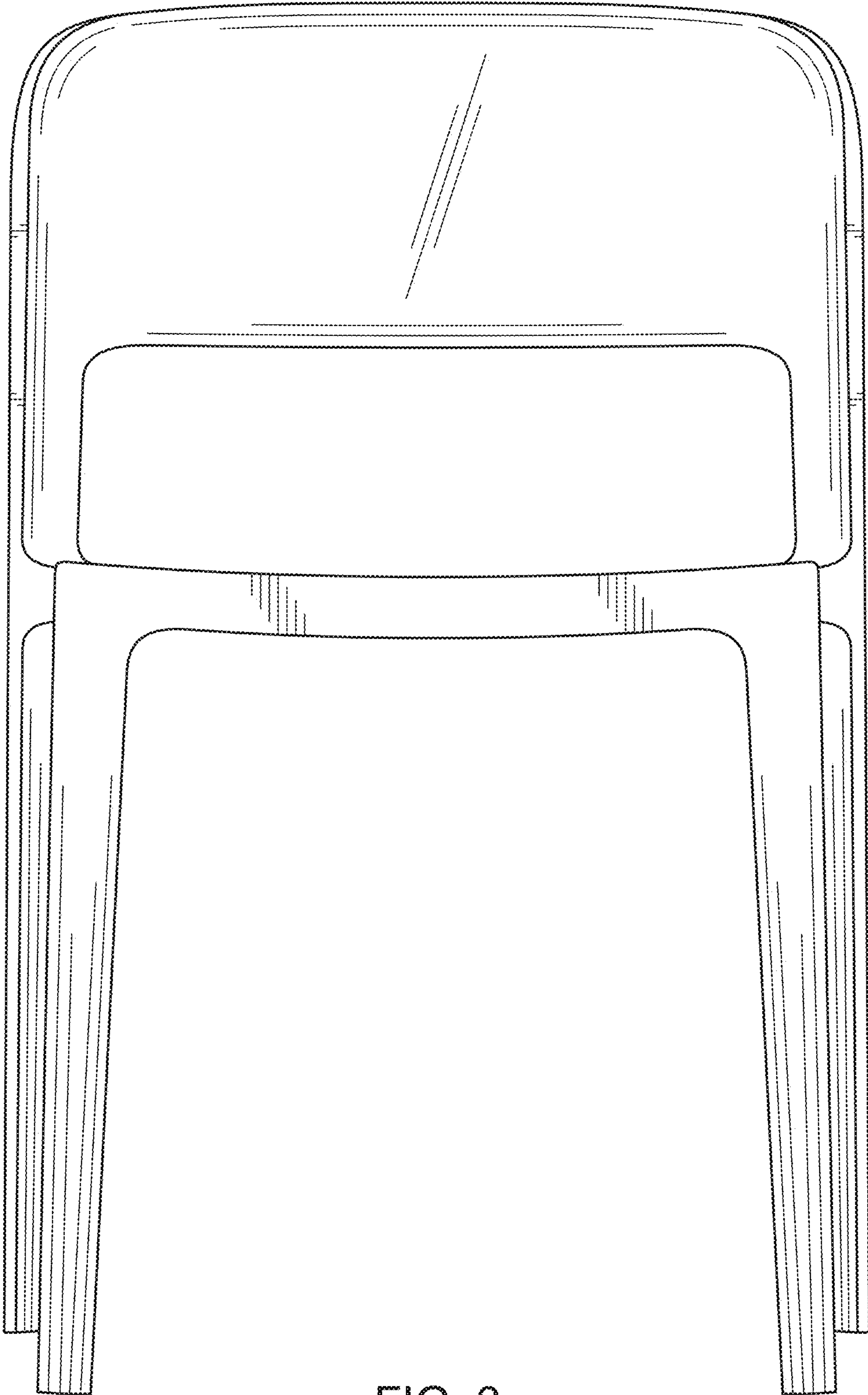


FIG. 3

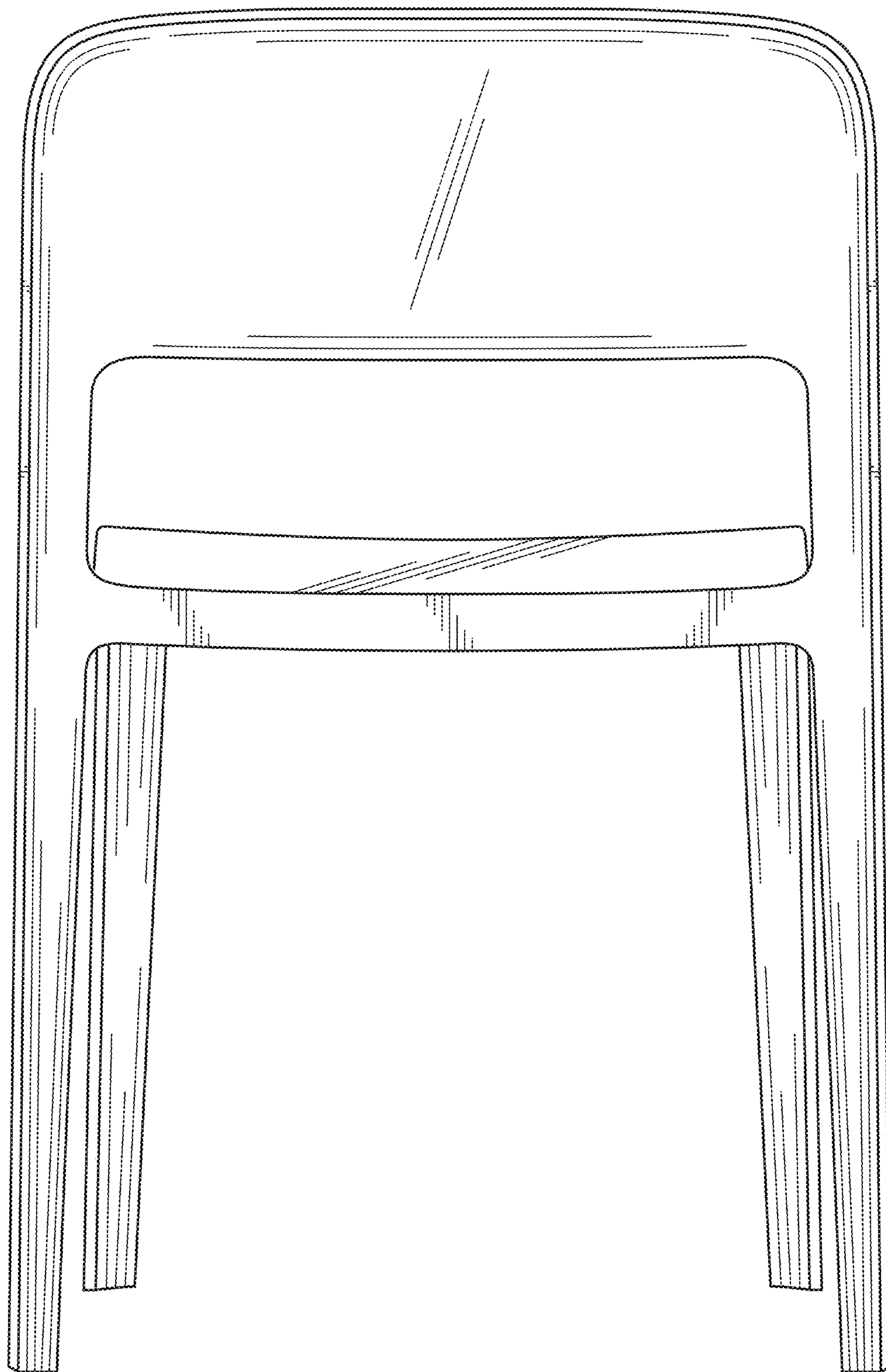


FIG. 4

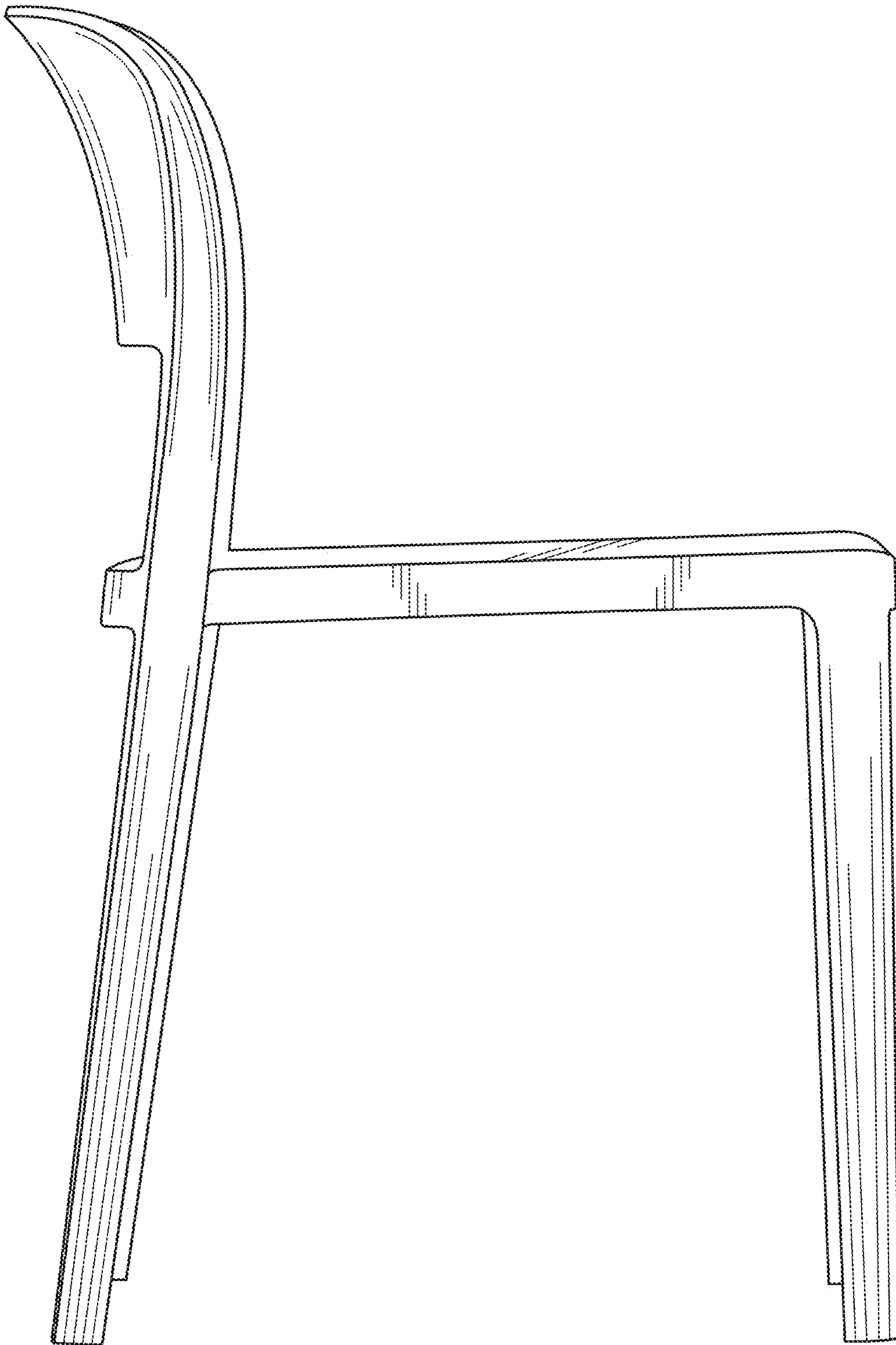


FIG. 5

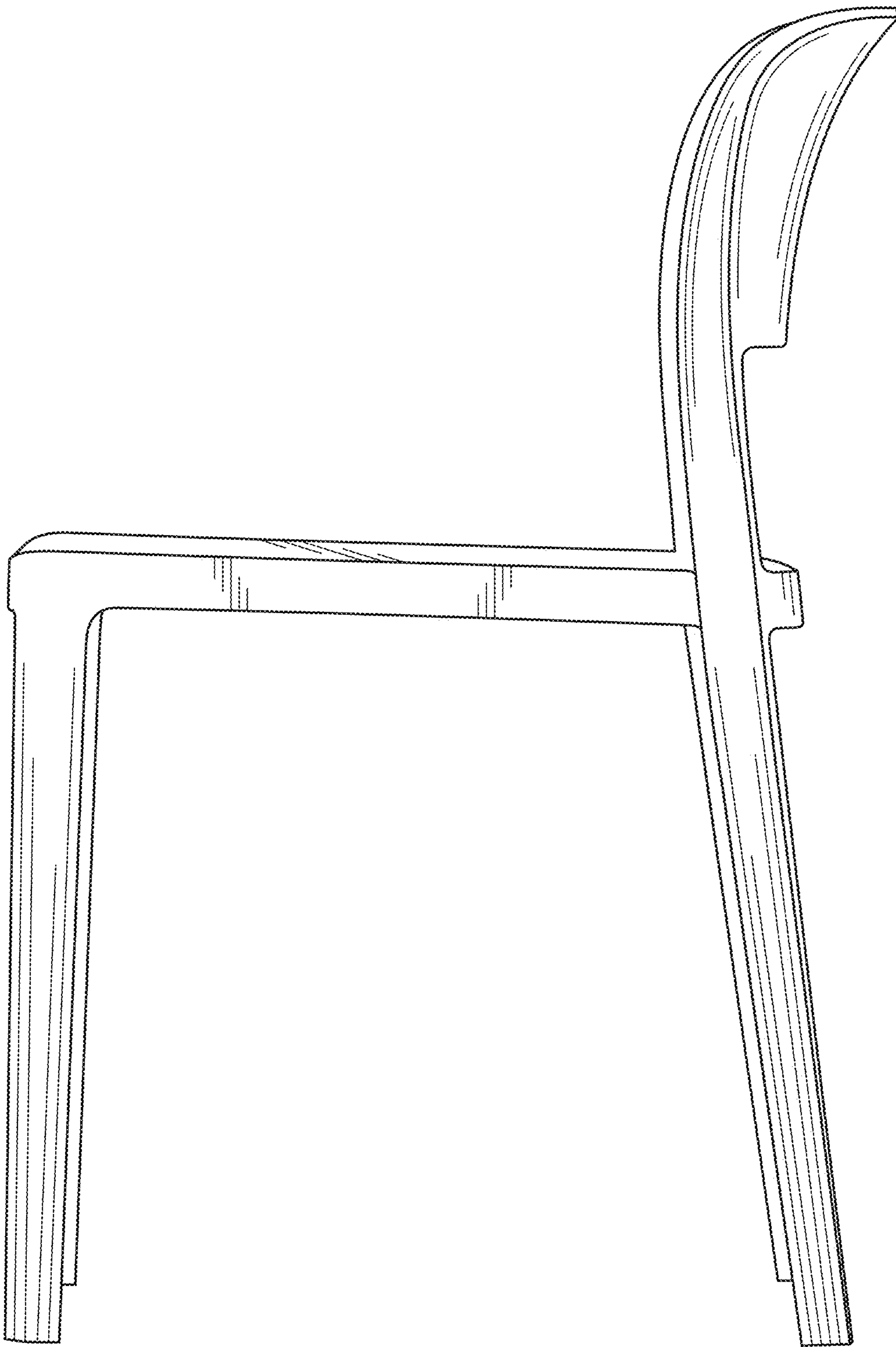


FIG. 6



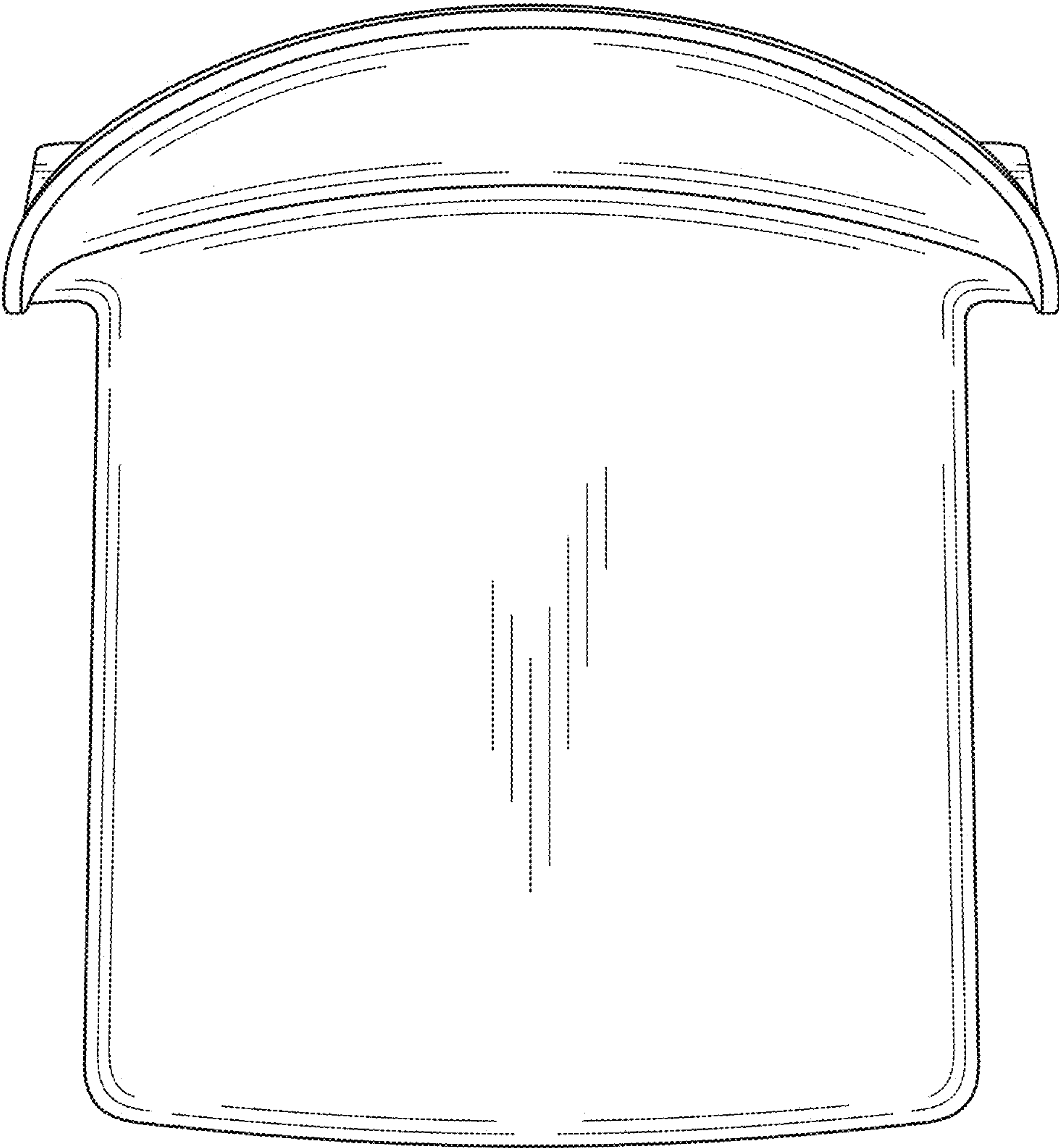


FIG. 7