



US00D944550S

(12) **United States Design Patent**
Wehner

(10) **Patent No.:** **US D944,550 S**
(45) **Date of Patent:** **** Mar. 1, 2022**

- (54) **CHAIR**
- (71) Applicant: **Worldwide Creations, LLC**, Clio, MI (US)
- (72) Inventor: **Scott D. Wehner**, Clio, MI (US)
- (73) Assignee: **Worldwide Creations, LLC**, Clio, MI (US)
- (**) Term: **15 Years**
- (21) Appl. No.: **29/761,106**
- (22) Filed: **Dec. 7, 2020**

- 2,689,602 A 9/1954 Morgan
 - 2,796,877 A 6/1957 Berseth
 - 3,034,154 A 5/1962 Silverstone
 - 3,130,969 A 4/1964 Groth
 - D198,779 S 8/1964 Bredon
 - 3,145,990 A 8/1964 Prouty
- (Continued)

FOREIGN PATENT DOCUMENTS

- EM 000963707-0001 7/2008
- EM 000963707-0002 7/2008
- GB 814554 A 6/1959

OTHER PUBLICATIONS

Internet Archive Wayback Machine capture of The Floating Bed, <https://web.archive.org/web/20030512020135/http://www.floatingbed.com:80/bigger-view/outdoor-tent-bed-tree.html> <<https://web.archive.org/web/20030512020135/http://www.floatingbed.com:80/bigger-view/outdoor-tent-bed-tree.html>>, capture dated May 12, 2003, print-out dated Aug. 16, 2017.

(Continued)

Primary Examiner — Mimosa De
(74) *Attorney, Agent, or Firm* — Young Basile Hanlon & MacFarlane, P.C.

(57) **CLAIM**

The ornamental design for a chair, as shown and described.

DESCRIPTION

FIG. 1 is a front perspective view of a chair.
FIG. 2 is a front view of the chair of FIG. 1.
FIG. 3 is a rear view of the chair of FIG. 1.
FIG. 4 is a left-side view of the chair of FIG. 1.
FIG. 5 is a right-side view of the chair of FIG. 1.
FIG. 6 is a top view of the chair of FIG. 1; and,
FIG. 7 is a bottom view of the chair of FIG. 1.
In the drawings, the ornamental design that is claimed is shown in solid lines. The broken lines form no part of the claimed design.

1 Claim, 7 Drawing Sheets

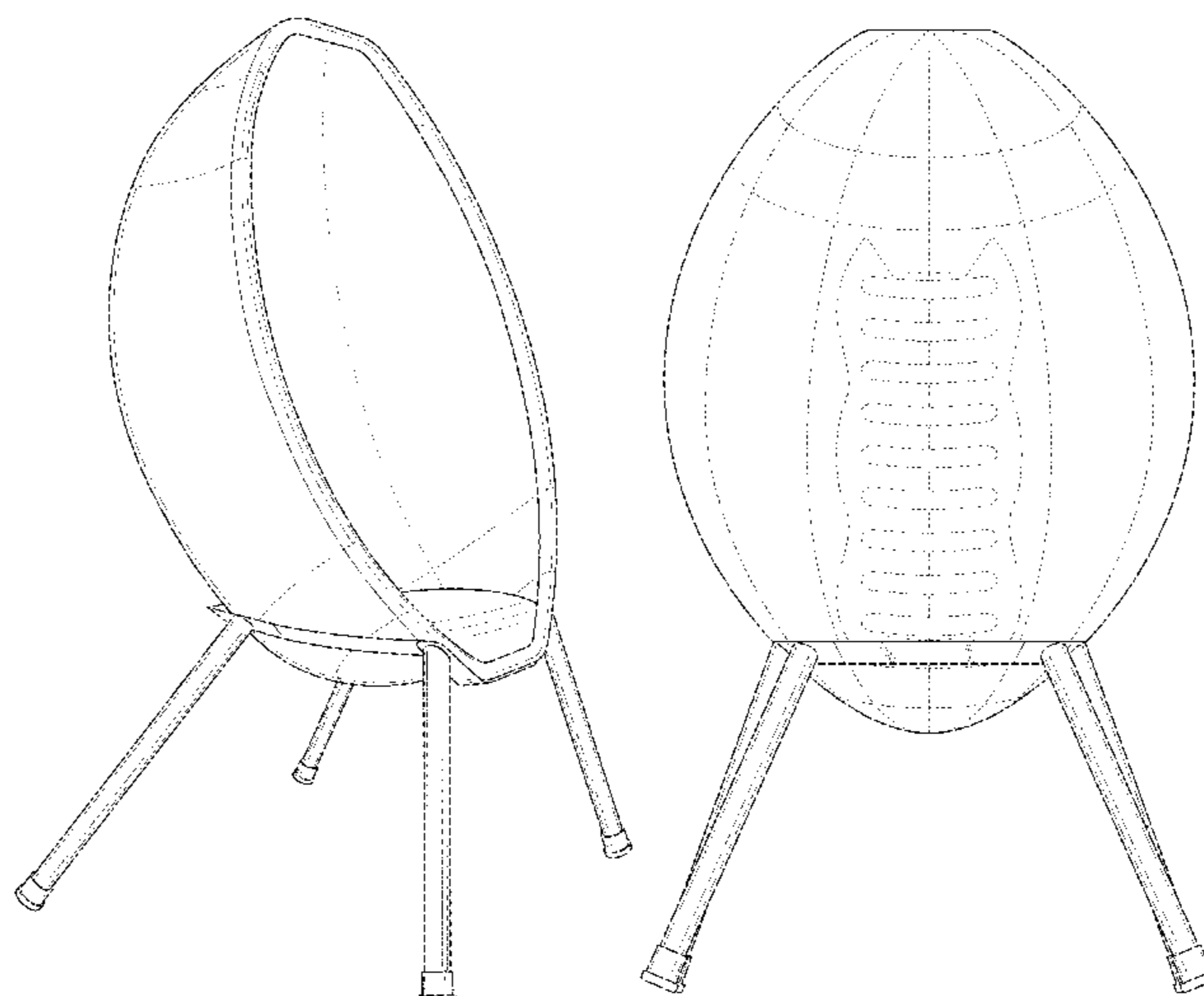
Related U.S. Application Data

- (62) Division of application No. 29/689,059, filed on Apr. 26, 2019, now Pat. No. Des. 917,908.
- (51) **LOC (13) Cl.** **06-01**
- (52) **U.S. Cl.**
USPC **D6/358**
- (58) **Field of Classification Search**
USPC D6/334–336, 345, 347, 351, 358, 369, D6/371, 372, 373, 374, 375, 376, 386, D6/387, 716, 716.1, 716.2, 716.3, 716.4, D6/658, 674, 688.1, 707.13; D11/133; D19/94, 97; D20/3, 29; D21/328, 372, D21/399, 521, 788, 716, 825; D7/515
CPC A47C 3/12; A47C 4/02; A47C 5/02; A47C 5/04; A47C 7/02; A47C 7/16; A47C 7/021; A47C 3/025; A47C 3/0255; A47C 17/86; A47C 4/18; A45F 3/26; A47D 13/105; A47D 13/107; G09F 23/14; A47G 1/14
See application file for complete search history.

(56) **References Cited**

U.S. PATENT DOCUMENTS

- 979,037 A 12/1910 Searle
- D44,625 S 9/1913 De Yoos
- 1,646,716 A 10/1927 Wheeler



(56)

References Cited

U.S. PATENT DOCUMENTS

D199,535 S	11/1964	Doss		D393,303 S	4/1998	Van Wagenen	
3,186,711 A	6/1965	Morrow		D396,642 S	8/1998	Lai	
3,213,868 A	10/1965	Forbes		D401,605 S	11/1998	Shirley	
3,344,443 A	10/1967	Bounell		D405,639 S	2/1999	Clark et al.	
D212,801 S	11/1968	Aarnie		D408,877 S	4/1999	Sonntag	
3,528,657 A	9/1970	Krupsky		5,918,615 A	7/1999	Stuck, Sr.	
D223,444 S	4/1972	Glaser		5,944,381 A	8/1999	Nguyen	
D232,500 S	8/1974	McGreevy et al.		D414,045 S	9/1999	Morrow	
D232,957 S	9/1974	Kehelin		D416,770 S	11/1999	Thorpe	
D234,730 S *	4/1975	Lazo	D6/358	D419,387 S	1/2000	Hansen	
3,902,264 A	9/1975	Radig		D419,389 S	1/2000	Hansen	
D243,044 S	1/1977	Pathman		D420,520 S	2/2000	Johnston	
4,000,749 A	1/1977	Busco		D420,552 S	2/2000	Hansen	
4,047,752 A	9/1977	Rohr		D420,861 S	2/2000	Hansen	
D248,986 S	8/1978	Nakata		D421,033 S	2/2000	Shirley	
D249,408 S	9/1978	Jackson		D421,034 S	2/2000	Shirley et al.	
D249,753 S	10/1978	Pratt		D421,035 S	2/2000	Shirley	
D252,602 S	8/1979	Cirrone		D422,155 S	4/2000	Rougie	
D254,458 S	3/1980	Wakefield		6,089,245 A	7/2000	Tseytlin et al.	
D254,829 S	4/1980	Gass		D431,136 S	9/2000	Palardis	
4,244,622 A	1/1981	Simpson		D436,382 S	1/2001	Podd et al.	
4,258,951 A	3/1981	Groom		6,212,811 B1	4/2001	Jones	
D259,610 S	6/1981	Martin		D442,884 S	5/2001	Olinger	
D263,663 S	4/1982	Moreau		D442,885 S	5/2001	Olinger	
D265,454 S	7/1982	Martin		D443,228 S *	6/2001	Olinger	D11/133
D266,040 S	9/1982	Cope		D443,229 S	6/2001	Olinger	
D271,548 S	11/1983	Bowsher		D446,267 S	8/2001	Feeney	
D271,641 S	12/1983	Bowsher		6,401,404 B1	6/2002	Fillipp et al.	
D273,943 S	5/1984	Dillon		D463,515 S	9/2002	Kulp	
D273,967 S	5/1984	Budde		6,474,843 B2	11/2002	Shieh	
D274,133 S	6/1984	Dillon		D469,145 S	1/2003	Underwood	
D274,347 S	6/1984	Budde		D469,628 S	2/2003	Strohfus	
D274,986 S	8/1984	Mermelstein		6,578,214 B2 *	6/2003	Peftoulidis	A47C 17/86 5/2.1
D278,549 S	4/1985	Kristich		D489,103 S	4/2004	Jandorf	
4,526,307 A	7/1985	Parker		6,752,732 B2	6/2004	Morrison et al.	
4,550,456 A	11/1985	Allen		D496,169 S	9/2004	Hightower	
D282,970 S	3/1986	Parkin		D496,802 S	10/2004	Hightower	
D289,870 S	5/1987	Berchtold		D501,328 S	2/2005	Fonfeder	
D295,391 S	4/1988	Maddox		D501,610 S	2/2005	Hightower	
4,838,292 A	6/1989	Allen		D501,729 S	2/2005	Fonfeder	
D306,196 S	2/1990	Muirhead		D501,730 S	2/2005	Fonfeder	
D309,681 S	8/1990	Solomon et al.		6,848,740 B1	2/2005	Reese	
D309,683 S	8/1990	Solomon		D503,554 S	4/2005	Kay	
D323,535 S	1/1992	Foenander et al.		D503,555 S	4/2005	Hightower	
5,097,545 A	3/1992	Hooi		D507,305 S	7/2005	Dill	
D330,223 S	10/1992	Crum		D507,706 S	7/2005	Lo	
D331,158 S	11/1992	Hooi		D511,191 S	11/2005	Fryer	
D336,378 S	6/1993	Kittridge		D511,654 S	11/2005	Bailey	
D340,078 S *	10/1993	Turner	D7/515	D515,830 S	2/2006	Zheng	
D346,070 S	4/1994	Kither		D515,876 S	2/2006	Minor	
D348,161 S	6/1994	Craig, III		D516,330 S	3/2006	Ruiter	
D348,361 S	7/1994	Beecher		D516,645 S	3/2006	Chung	
D349,008 S	7/1994	Minor		D516,825 S	3/2006	Zheng	
D349,631 S	8/1994	Redmon		D516,826 S	3/2006	Zheng	
D350,699 S	9/1994	Lincourt		D517,819 S	3/2006	Zheng	
D354,371 S	1/1995	Wood		D522,260 S	6/2006	Strachan	
D354,639 S	1/1995	Stoddard		D529,343 S	10/2006	Minor	
D354,641 S	1/1995	Stoddard		D532,826 S	11/2006	Gomez et al.	
D354,642 S *	1/1995	Stoddard	D6/658	D533,239 S	12/2006	Yang	
D355,334 S	2/1995	Minor		D536,888 S	2/2007	Dykstra	
D355,792 S *	2/1995	White	D6/674	D538,545 S	3/2007	Zimmermann	
D357,386 S	4/1995	Jones		D539,048 S	3/2007	Zimmermann	
5,439,016 A	8/1995	Grahn		D539,049 S	3/2007	Zimmermann	
D364,287 S	11/1995	Jurasinski		D539,050 S	3/2007	Zimmermann	
D366,064 S	1/1996	Milojevich		D541,058 S	4/2007	Dykstra	
5,511,258 A	4/1996	Barr, Sr.		7,204,549 B1	4/2007	Zeng	
D369,476 S	5/1996	Quill		D541,552 S	5/2007	Weldon	
D374,127 S	10/1996	Diaz		D552,853 S	10/2007	Goodrick	
D375,422 S	11/1996	Jurasinski		D553,014 S	10/2007	Foster	
5,588,702 A	12/1996	Litwin		D553,015 S	10/2007	Foster	
D379,875 S *	6/1997	Wied	D6/351	D553,016 S	10/2007	Foster	
D382,413 S *	8/1997	Lundberg	D6/358	D554,200 S	10/2007	Cooper	
D384,211 S	9/1997	Wied et al.		D555,923 S	11/2007	Dykstra	
5,695,253 A	12/1997	Jenkins		D558,293 S	12/2007	Brumbach et al.	
D392,913 S	3/1998	Edwards		D565,125 S	3/2008	Collier	
				7,367,068 B2	5/2008	Huff	
				7,380,880 B2	6/2008	Molen	
				7,404,601 B2	7/2008	Chen	

(56)

References Cited

U.S. PATENT DOCUMENTS

D575,079 S 8/2008 Hirsh
 D576,808 S 9/2008 Ton
 D577,388 S 9/2008 Lo et al.
 D577,390 S 9/2008 Collier
 D577,774 S 9/2008 Lo et al.
 D580,634 S 11/2008 Robinson
 D586,187 S 2/2009 Sax
 D596,672 S 7/2009 Roman
 D596,675 S 7/2009 Roman Moreno
 D609,987 S 2/2010 Moman
 D611,729 S 3/2010 Lau
 D612,541 S 3/2010 Righetti
 D620,320 S 7/2010 Carter
 D623,436 S 9/2010 Lau
 D630,689 S 1/2011 Tsutsui
 D632,138 S 2/2011 Carter
 D634,380 S 3/2011 Walling, Jr. et al.
 D638,071 S 5/2011 Tyler
 7,967,374 B2 6/2011 Akkad
 D643,807 S 8/2011 Gelin
 D649,800 S 12/2011 Lievore et al.
 D653,808 S 2/2012 Gelin
 D653,810 S 2/2012 Gelin
 D660,034 S 5/2012 Frety et al.
 D660,608 S 5/2012 Hasman
 D675,268 S 1/2013 Cranke
 D677,914 S 3/2013 Cardenas
 D679,104 S 4/2013 Pouzet
 D682,565 S 5/2013 McDonald
 D690,377 S 9/2013 Cranke
 D692,083 S 10/2013 Toland
 D697,566 S 1/2014 Smith
 D698,696 S 2/2014 McBurney et al.
 D702,449 S 4/2014 Puotiniemi
 D705,499 S 5/2014 Zamarripa
 D705,865 S 5/2014 Roth
 8,764,234 B1 7/2014 Acree et al.
 D720,148 S 12/2014 Urquiola
 D727,445 S 4/2015 Viramontez
 9,067,146 B1 6/2015 Cordray
 D736,008 S * 8/2015 Bosman D6/375
 9,095,204 B2 8/2015 Ou
 D738,123 S 9/2015 Wu
 D738,128 S 9/2015 Paslawski
 D738,637 S 9/2015 Dean
 D742,277 S 11/2015 Wegrzyn
 D752,164 S 3/2016 Rio
 D759,396 S 6/2016 Wehner
 D760,488 S 7/2016 Diamond
 D760,506 S 7/2016 McDonald
 D761,575 S 7/2016 Preston
 D764,160 S 8/2016 Diamond
 9,440,154 B1 9/2016 Cordray et al.
 D768,795 S 10/2016 O'Malley
 9,468,284 B2 10/2016 Wehner
 D773,221 S 12/2016 Lee
 D777,898 S 1/2017 Kumar
 9,554,653 B2 1/2017 Lee
 D778,656 S 2/2017 Lee
 D781,061 S 3/2017 Merritt
 9,630,119 B2 4/2017 Fries et al.
 D785,976 S 5/2017 Hagerty
 D787,842 S 5/2017 Lenton
 D788,634 S 6/2017 Wegrzyn
 D791,640 S 7/2017 Wegrzyn
 9,713,372 B1 7/2017 Chen
 D796,865 S 9/2017 Haug
 D800,508 S 10/2017 Peters
 D804,835 S 12/2017 Wehner
 9,861,181 B2 1/2018 Wehner
 D814,813 S 4/2018 Hassman
 D817,013 S 5/2018 Hassman
 D819,348 S 6/2018 Hassman
 D819,349 S 6/2018 Wehner
 D819,989 S 6/2018 Hassman

D820,605 S 6/2018 Hassman
 D820,606 S 6/2018 Hassman
 D820,608 S 6/2018 Wehner
 D820,609 S 6/2018 Wehner
 D821,109 S 6/2018 Wehner
 10,016,048 B2 7/2018 Wehner
 D827,317 S 9/2018 Wehner
 D828,697 S 9/2018 Wehner
 D829,454 S 10/2018 Wehner
 10,161,601 B1 12/2018 Chen
 D842,950 S 3/2019 O'Malley
 D847,922 S 5/2019 Hunter
 D848,753 S 5/2019 Wehner
 10,398,214 B2 9/2019 Wehner
 D861,365 S 10/2019 Figdor
 D864,322 S 10/2019 Finley et al.
 D865,383 S 11/2019 Wehner
 D871,785 S 1/2020 Wehner
 10,631,647 B1 4/2020 Wu et al.
 D889,144 S * 7/2020 Wehner D6/345
 D897,123 S 9/2020 Tan
 D898,397 S 10/2020 Wehner
 D899,112 S 10/2020 Wehner
 D899,166 S 10/2020 Wehner
 D901,921 S 11/2020 Bergmann et al.
 D905,562 S 12/2020 Futral et al.
 D911,870 S 3/2021 Wang
 D912,467 S * 3/2021 Cramton D7/515
 D917,908 S * 5/2021 Wehner D6/358
 D921,810 S * 6/2021 Putnam D21/825
 2002/0124311 A1 * 9/2002 Peftoulidis A47C 17/86
 5/308
 2003/0024448 A1 2/2003 Lieberman
 2003/0057754 A1 3/2003 Snyders
 2003/0140417 A1 7/2003 Huff
 2005/0108821 A1 5/2005 Gardner
 2005/0277499 A1 12/2005 Tang et al.
 2007/0283611 A1 12/2007 Laurent et al.
 2008/0060128 A1 3/2008 Forshpan
 2008/0064539 A1 3/2008 Mark
 2008/0203774 A1 8/2008 Hemetsberger
 2010/0252083 A1 10/2010 Ogle
 2011/0254334 A1 10/2011 Phillips
 2012/0004058 A1 1/2012 Fujikura et al.
 2012/0178543 A1 7/2012 Monachello
 2015/0018108 A1 1/2015 Lacy et al.
 2015/0030790 A1 1/2015 Duncan, III
 2015/0335136 A1 11/2015 Wehner
 2016/0107095 A1 4/2016 Fries et al.
 2017/0234025 A1 8/2017 Bottome et al.
 2020/0292920 A1 9/2020 Lin

OTHER PUBLICATIONS

Internet Archive Wayback Machine's capture of The Floating Bed, <https://web.archive.org/web/20030513102711/http://www.floatingbed.com:80/bigger-view/outdoor-tent-bed.html> <<https://web.archive.org/web/20030513102711/http://www.floatingbed.com:80/bigger-view/outdoor-tent-bed.html>>, capture dated May 13, 2003, print-out dated Aug. 16, 2017.
 National Archives and Records Administration, Gabe Gobin, an Indian logger, in front of his home. Tulalip Reservation, Washington, <https://commons.wikimedia.org/wiki/File:Gabe_Gobin,_an_Indian_logger,_in_front_of_his_home._Tulalip_Reservation,_Washington,_1916_-_NARA_-_518929.tif>, created Dec. 31, 1915, print-out dated Aug. 22, 2017.
 Wikipedia, Weaver Nest in Malaysia, https://en.wikipedia.org/wiki/Ploceidae#/media/File:Weaver_Nest.jpg <<https://en.wikipedia.org/wiki/Ploceidae>>, created Mar. 28, 2013, print-out dated Aug. 22, 2017.
 Fine Mod Imports Euro Aarnio Style Bubble Hanging Chair, www.instylemodern.com/Eero-Aarnio-Style-Bubble-Hanging-Chair-White-Cushi-p/1122-white-with-stand.htm <<http://www.instylemodern.com/Eero-Aarnio-Style-Bubble-Hanging-Chair-White-Cushi-p/1122-white-with-stand.htm>>, captured on Jun. 29, 2018.

(56)

References Cited

OTHER PUBLICATIONS

ACME 2-Piece All Star Set Chair and Ottoman, Baseball, www.amazon.com/05528-2-Piece-Chair-Ottoman-Baseball/dp/B004H6UYAE <<http://www.amazon.com/05528-2-Piece-Chair-Ottoman-Baseball/dp/B004H6UYAE>>, captured Jun. 29, 2018.

Coaster Kid's Swivel Chair and Ottoman Set, Basketball Design, www.amazon.com/Coaster-Swivel-Ottoman-Basketball-2-Pieces/dp/B000WI8UHA <<http://www.amazon.com/Coaster-Swivel-Ottoman-Basketball-2-Pieces/dp/B000WI8UHA>>, captured on Jun. 29, 2018.

Fine Mod Imports Egg Hanging Chair, www.finemodimports.com/Egg_Hanging_Chair_p/fmi2208.htm <http://www.finemodimports.com/Egg_Hanging_Chair_p/fmi2208.htm>, captured on Jun. 29, 2018.

Design Market Nanna Ditzel Egg Chair, www.design-mkt.com/154-egg-hanging-chair-nanna-ditzel-1959.html <<http://www.design-mkt.com/154-egg-hanging-chair-nanna-ditzel-1959.html>>, captured Jun. 29, 2018.

Wildon Home Kid's Football Chair and Ottoman Set, www.amazon.com/Kids-Football-Chair-Ottoman-Set/dp/B00XYTD5FG/ <<http://www.amazon.com/Kids-Football-Chair-Ottoman-Set/dp/B00XYTD5FG/>>, captured Jun. 29, 2018.

Wicker Hanging Swing Patio Bed, www.karimunjavaadventure.com/item-detail/wicker-hanging-swing-patio-bed-swing-steel-garden-swing.html <<http://www.karimunjavaadventure.com/item-detail/wicker-hanging-swing-patio-bed-swing-steel-garden-swing.html>>, captured Jun. 29, 2018.

Football Hanging Chair on Alibaba, www.alibaba.com/product-detail/football-design-swing-hang-chair-outdoor_60325860005.html?spm=a2700.galleryofferlist.normalList.23.5f287b1802IByl <http://www.alibaba.com/product-detail/football-design-swing-hang-chair-outdoor_60325860005.html?spm=a2700.galleryofferlist.normalList.23.5f287b1802IByl>, captured Jun. 29, 2018.

Round Rattan Outdoor Bed, gtoparts.en.alibaba.com/product/60149906396-221138431/Round_rattan_outdoor_bed_outdoor_swing_bed_round_hanging_bed_round.html?spm=a2700.8304367.prewdfa4cf.1.576f3e26neSEBx, captured Jun. 29, 2018.

Round Egg Straight Hanging Chair, gtoparts.en.alibaba.com/product/60194886386-221138431/Outdoor_Wicker_Patio_Furniture_Round_Egg_Straight_Hanging_Chair_NEW_.html?spm=a2700.8304367.prewdfa4cf.16.e5203e27WgVkmD, captured Jun. 29, 2018.

Swing Hanging Chair, gtoparts.en.alibaba.com/product/60134002497-221138431/Swing_hanging_chair_cheap_material_PE_rattan_popular_in_many_countries.html?spm=a2700.8304367.prewdfa4cf.4.45803e26KjE2Q6, captured Jun. 29, 2018.

2015 New Model Wooden Horse Swing, gtoparts.en.alibaba.com/product/60145838006-221138431/2015_new_model_wooden_horse_swing.html?spm=a2700.8304367.prewdfa4cf.13.7d4d3e26Iv1M0a, captured Jun. 29, 2018.

Two Seat Hanging Swing Chair, gtoparts.en.alibaba.com/product/60449144448-221138431/Outdoor_two_seat_hanging_swing_chair_for_adult.html?spm=a2700.8304367.prewdfa4cf.16.633e3e1dUpVBU5, captured Jun. 29, 2018.

Nest Chair Patio Swing, gtoparts.en.alibaba.com/product/60672125777-221138431/Nest_Chair_Patio_Swing_Chair_Hanging_Hammock.html?spm=a2700.8304367.prewdfa4cf.10.309b3e60xpCfW0, captured Jun. 29, 2018.

Comfortable Bedroom Chair, gtoparts.en.alibaba.com/product/60565028285-221138431/Wholesale_best_selling_in_Poland_comfortable_bedroom_chairs.html?spm=a2700.8304367.prewdfa4cf.28.558a3e18W54nwH, captured Jun. 29, 2018.

Round Swing Chair, gtoparts.en.alibaba.com/product/60390746146-221138431/hot_sale_round_swing_chair_hanging_chair_with_cushion_for_1_person_hanging_garden_rocking_chair.html?spm=a2700.8304367.prewdfa4cf.1.48593e67yWB6YI, captured Jun. 29, 2018.

Multicolored Apple Shape Chair, gtoparts.en.alibaba.com/product/60130025317-221138431/multicolored_apple_shape_hammock_eco_friend_handmade_chair_with_natural_rattan_and_bamboo_hanging_chair.html?spm=a2700.8304367.prewdfa4cf.34.37be3e27VLPiIR, captured Jun. 29, 2018.

Fine Mod Imports Bird Hanging Chair, <<https://www.hammockup.com/products/bird-hanging-chair-white?variant=1848133877769>>, captured Jul. 3, 2018.

* cited by examiner

FIG. 1

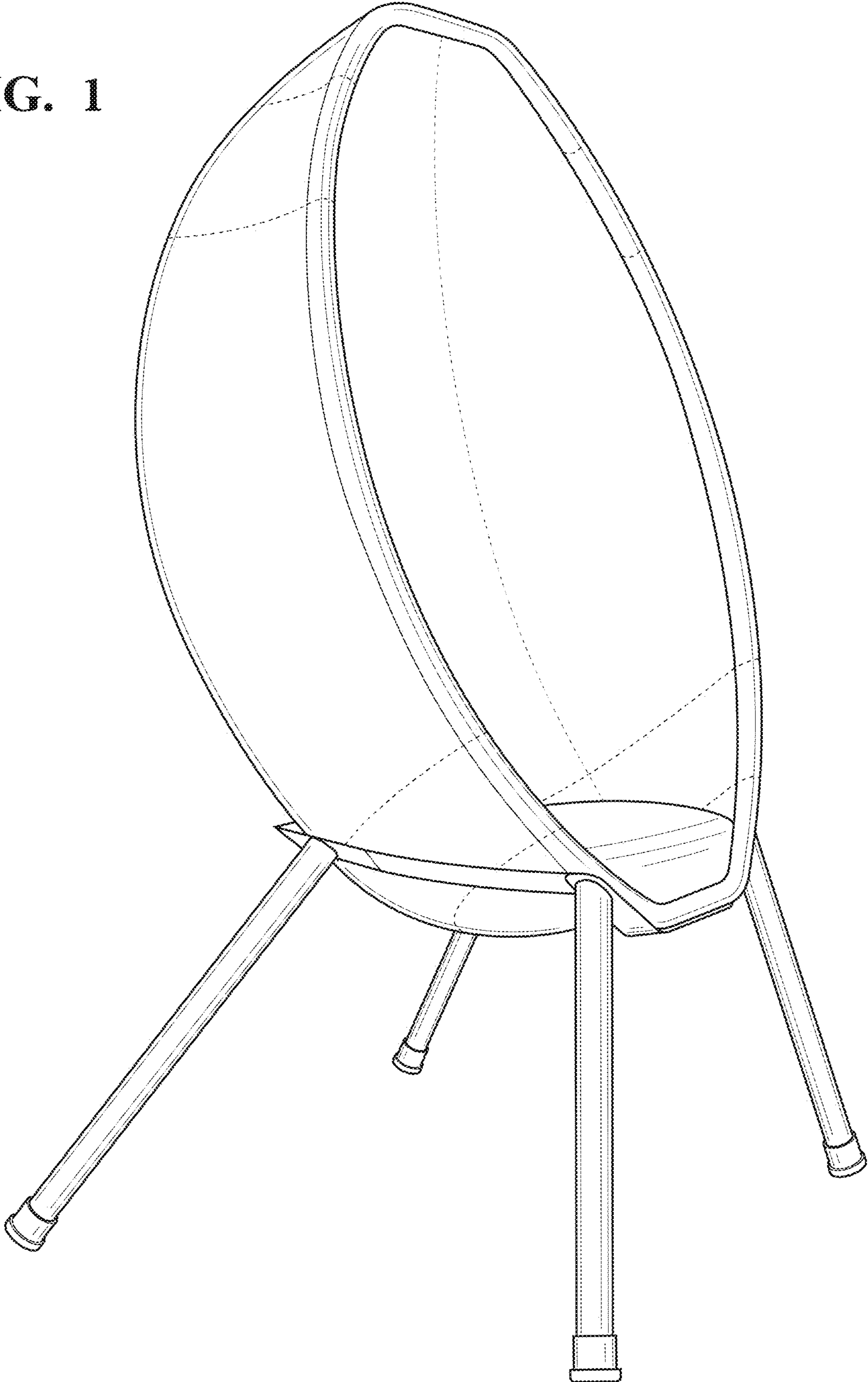


FIG. 2

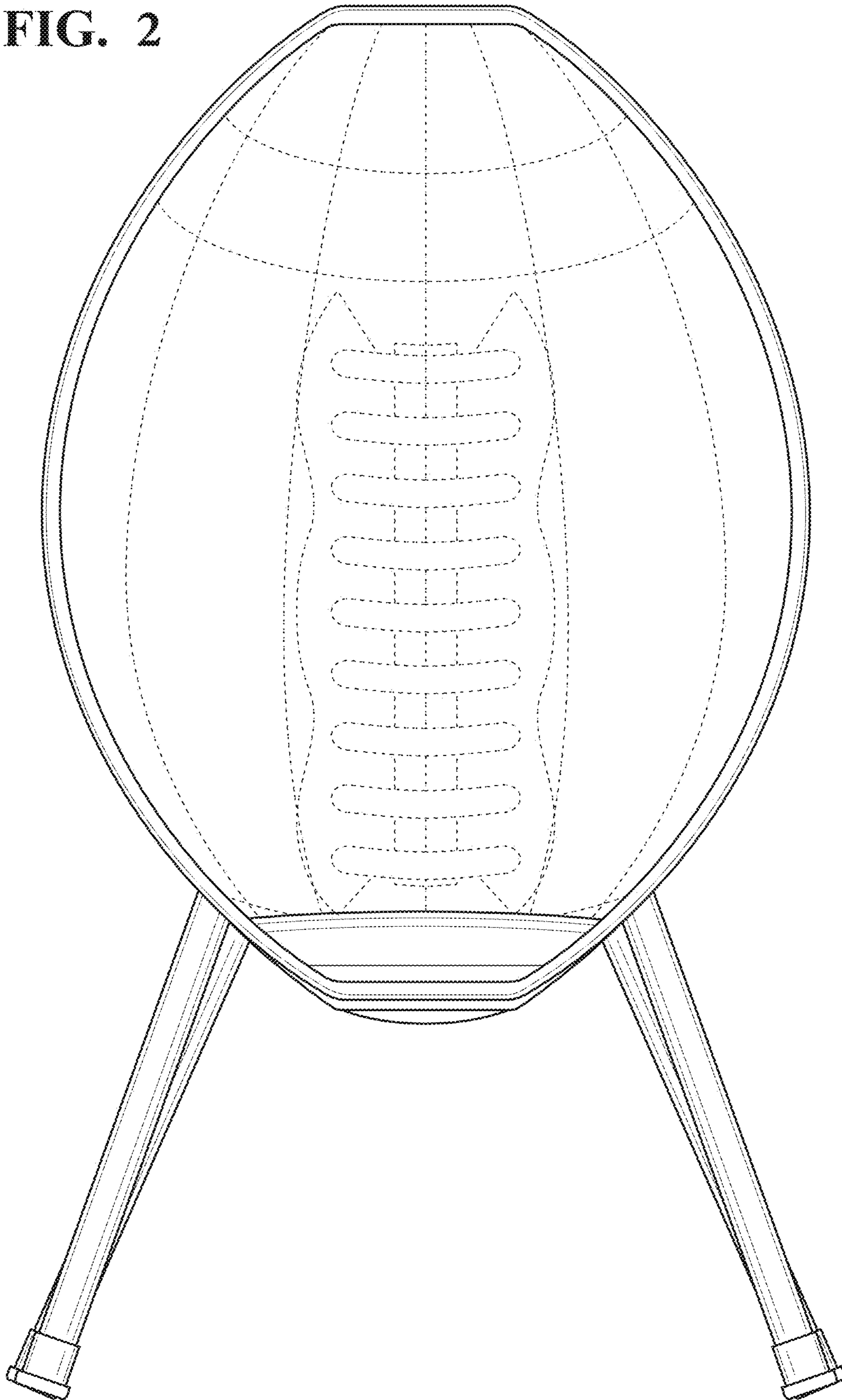


FIG. 3

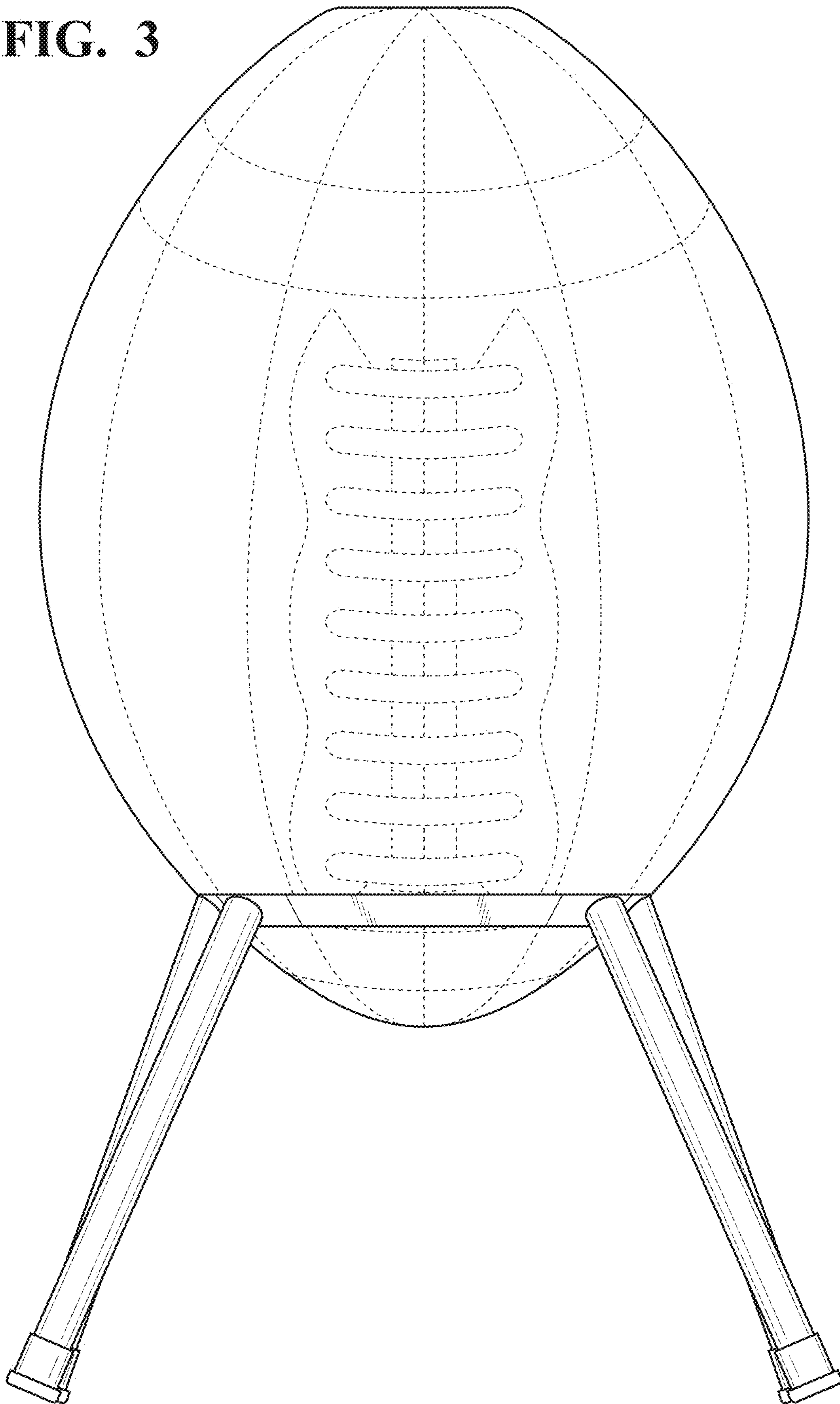


FIG. 4

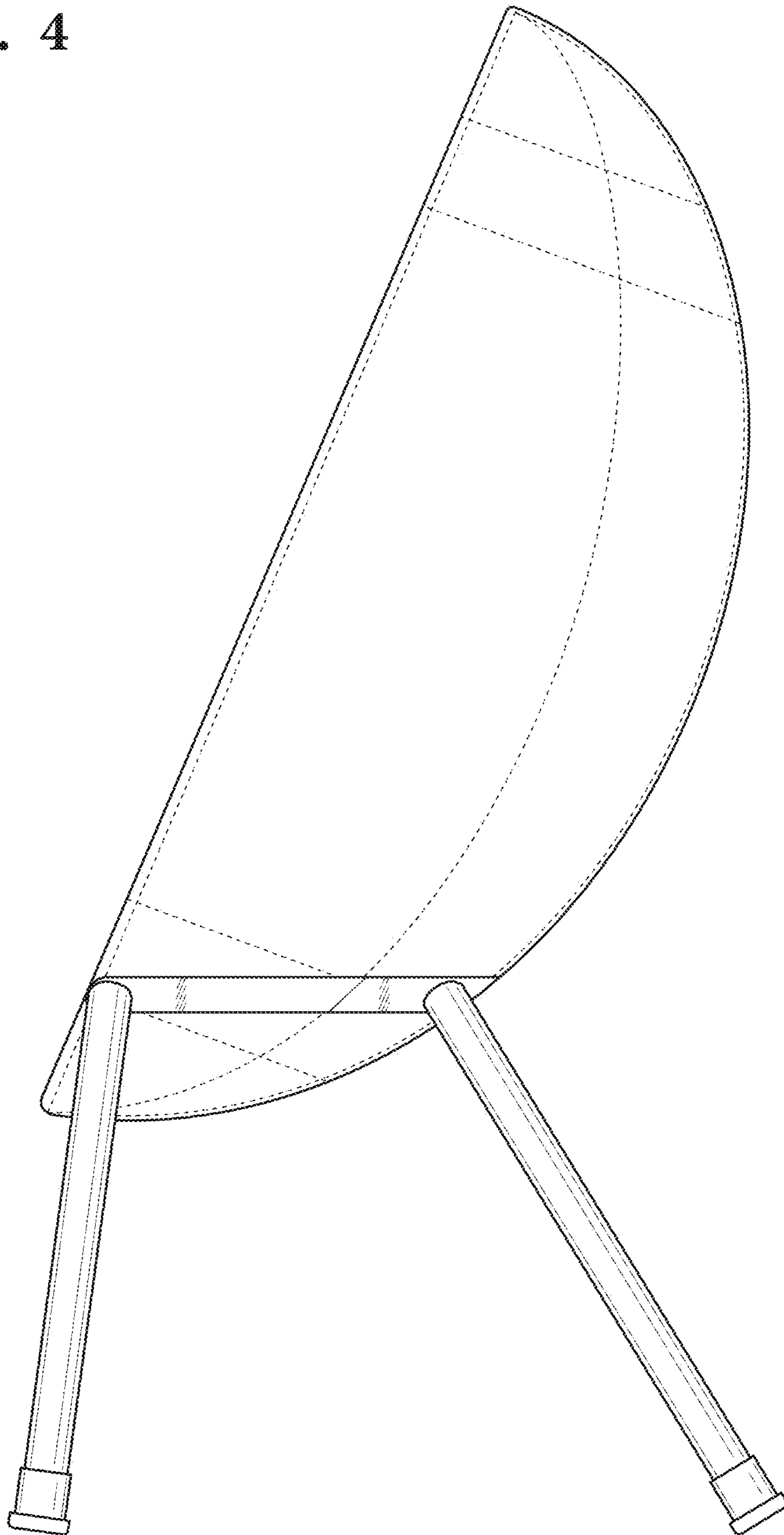


FIG. 5

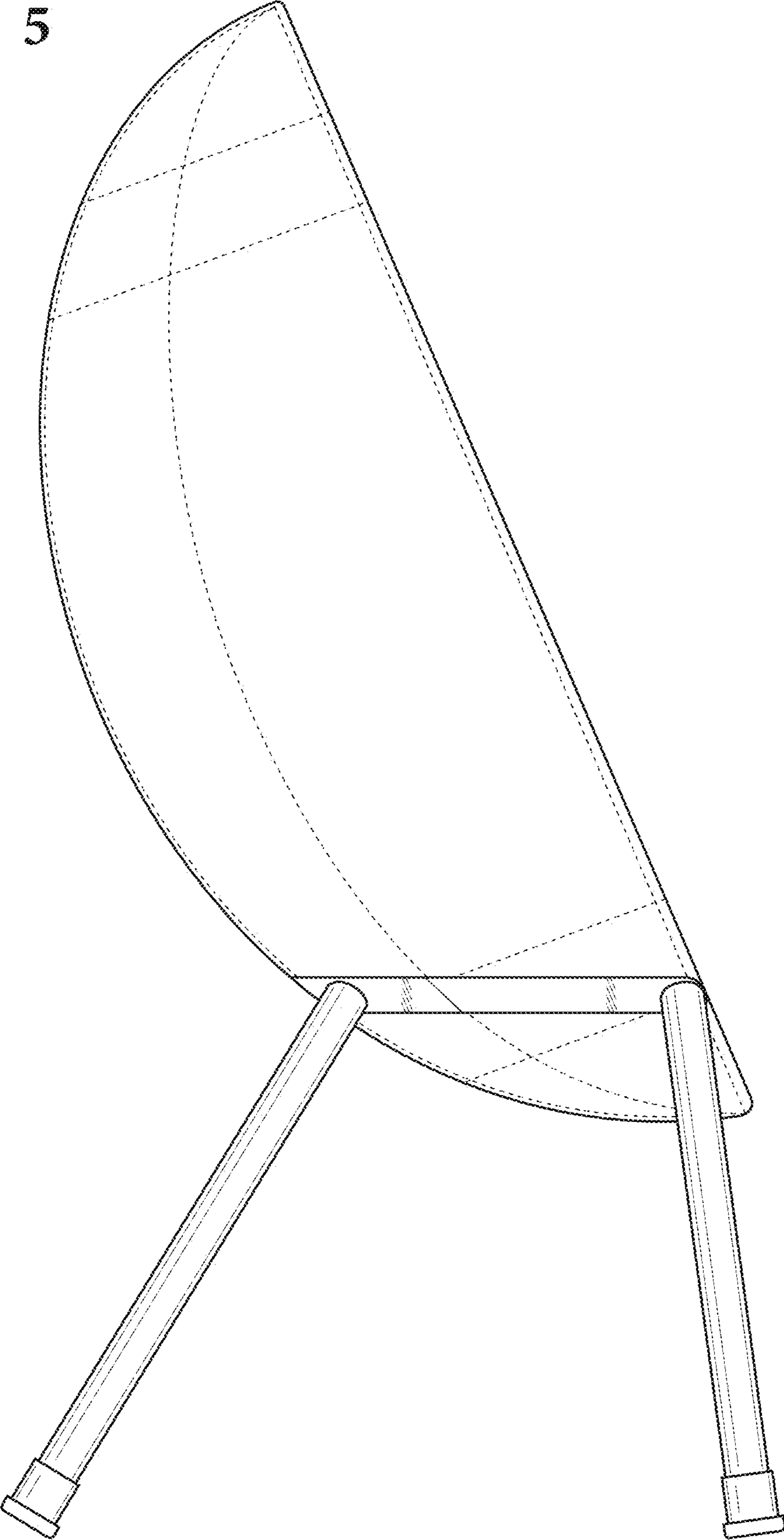


FIG. 6

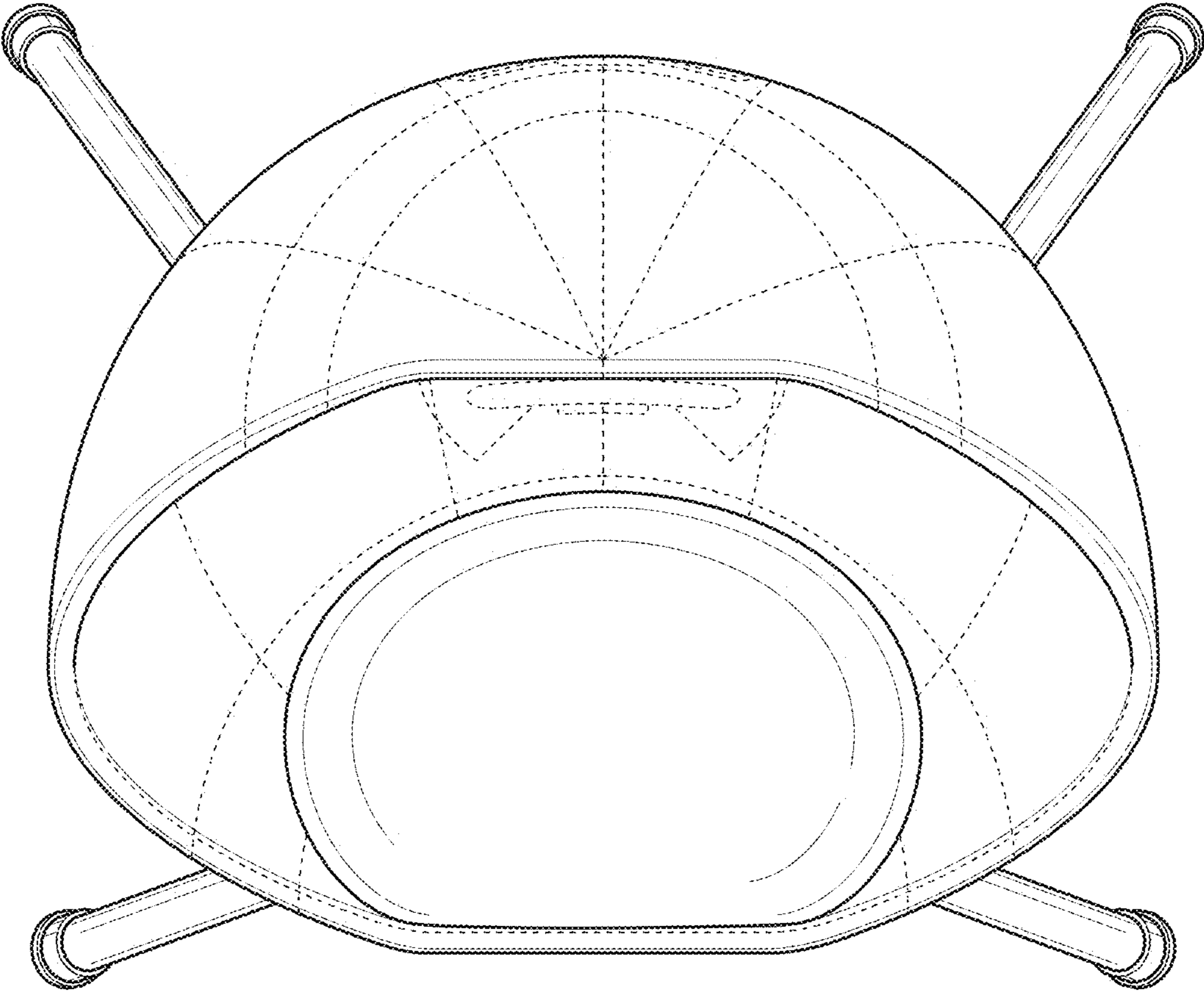


FIG. 7

