



US00D944547S

(12) **United States Design Patent** (10) **Patent No.:** **US D944,547 S**
Sears (45) **Date of Patent:** **** Mar. 1, 2022**

(54) **PARTITION APPARATUS**

(71) Applicant: **R.A.S. Developments, LLC**,
Washington, DC (US)
(72) Inventor: **Russell Adams Sears**, Washington, DC
(US)
(73) Assignee: **R.A.S. DEVELOPMENTS, LLC**,
Washington, DC (US)

(**) Term: **15 Years**

(21) Appl. No.: **29/748,630**

(22) Filed: **Aug. 31, 2020**

(51) **LOC (13) Cl.** **06-06**

(52) **U.S. Cl.**
USPC **D6/332**

(58) **Field of Classification Search**
USPC D6/332, 352, 353, 575, 640, 703.1, 714;
D26/72, 80, 81; D25/31, 35-58; D3/5
See application file for complete search history.

(56) **References Cited**

U.S. PATENT DOCUMENTS

3,636,890	A *	1/1972	Huff	A47B 83/001
					108/60
3,927,481	A *	12/1975	Safranek	A47G 5/00
					434/432
4,034,463	A *	7/1977	Ryan	E04B 2/7425
					29/446
4,200,254	A *	4/1980	Nelson	E04B 2/7405
					160/351
5,272,848	A *	12/1993	Maas	A47G 5/00
					160/135
5,486,391	A *	1/1996	Tyner	B32B 5/18
					428/44

(Continued)

FOREIGN PATENT DOCUMENTS

KR	2010000669	A	1/2010
KR	101715043	B1	3/2017

OTHER PUBLICATIONS

VIZ-PRO Mobile Room Divider, available in Amazon.co.uk, date first available Mar. 28, 2019 [online], Retrieved on Oct. 1, 2021 from URL : <https://www.amazon.co.uk/VIZ-PRO-Partition-Double-Sided-Magnetic-Whiteboard/dp/B01GC9J8AU/> (Year: 2019).*
Creechwa Reception Partition Countertop Protection, available in Amazon.co.uk, date first available May 28, 2020 [online], Retrieved on Oct. 1, 2021 from URL: <https://www.amazon.co.uk/Creechwa-Reception-Partition-Countertop-Protection/dp/B089DDYKJ1/> (Year: 2020).*

(Continued)

Primary Examiner — Vy N Koenig
Assistant Examiner — Michelle M Reeves

(57) **CLAIM**

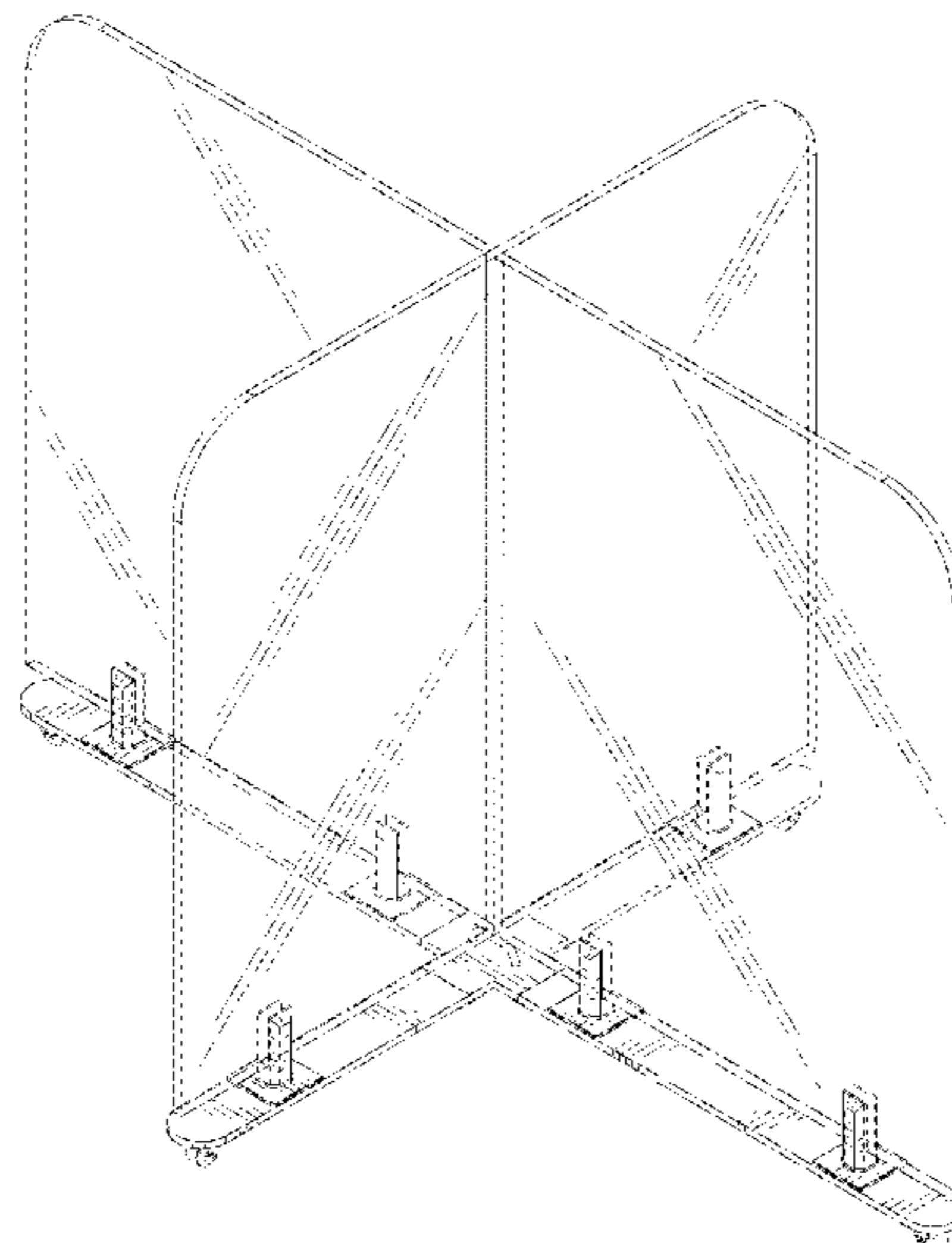
The ornamental design for a partition apparatus, as shown and described.

DESCRIPTION

FIG. 1 is a front-top-right perspective view of a partition apparatus showing my new design;
FIG. 2 is a front-top-left perspective view thereof;
FIG. 3 is a front-bottom-left perspective view thereof;
FIG. 4 is a front elevational view thereof, the rear elevational view being a mirror image thereof;
FIG. 5 is a top plan view thereof;
FIG. 6 is a bottom view thereof;
FIG. 7 is a right-side elevational view thereof, the left-side elevational view being a mirror image thereof; and,
FIG. 8 is a perspective view of the detachable base feature of the partition apparatus in a folded configuration, shown separately to reveal aspects of the design that may not be apparent in the other views.

The broken lines showing of hinges and casters in FIGS. 1-4 and 6-8 and the handle in FIGS. 1-2, 4-5 and 8 are included for the purpose of showing environmental structure and form no part of the claimed design.

1 Claim, 8 Drawing Sheets



(56)

References Cited

U.S. PATENT DOCUMENTS

6,116,326 A * 9/2000 Domina E04B 2/7422
160/351
6,516,571 B1 * 2/2003 Overthun A47G 5/00
160/351
6,533,019 B1 * 3/2003 King E04B 2/7422
160/351
6,701,996 B1 * 3/2004 Chen A47G 5/00
160/135
D807,652 S * 1/2018 Kawamoto D6/332
2004/0140066 A1 * 7/2004 Brennan G09F 15/00
160/351
2012/0168097 A1 * 7/2012 Gilbert A47G 5/00
160/130
2019/0142155 A1 * 5/2019 Lee A47B 13/06
108/27

OTHER PUBLICATIONS

Vollrath MB48FLAT Portable Breath Guard w/ Steel Base, <https://www.katom.com/175-MB48FLAT.html>.
Multi-Section Acrylic Table Divider, <https://www.displays2go.com/P-51531/Sneeze-Shield-Table-Divider-Multi-Section-Design-Collaborating>.
Mobileseparationscreen, <https://www.separationscreen.com/product/mobile-separationscreen/>.
Frosted Desk Panel Office Divider Partition, <https://www.amazon.com/Owfeel-Frosted-Divider-Partition-Classrooms/dp/B07PHKCYJM>.

* cited by examiner

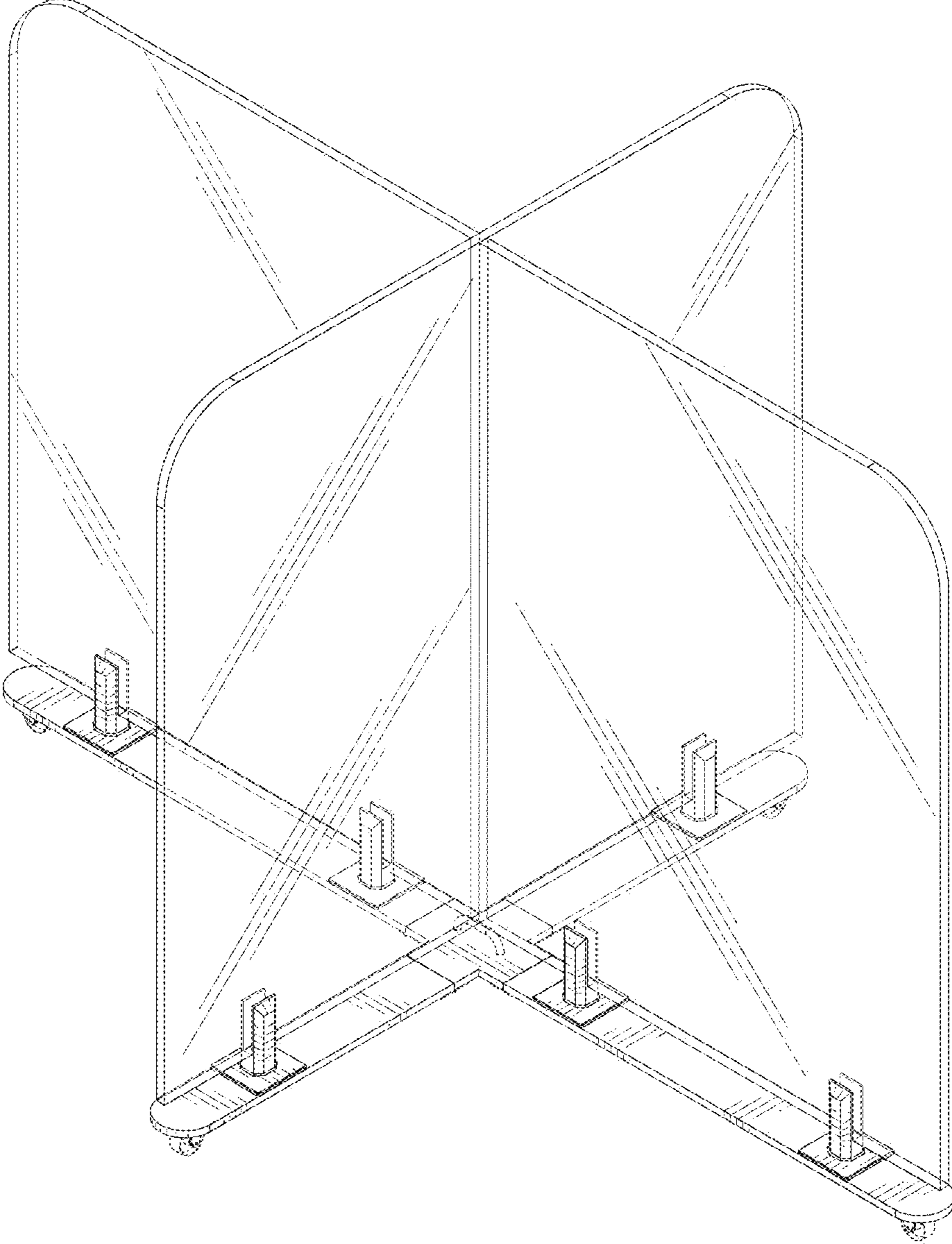


FIG. 1

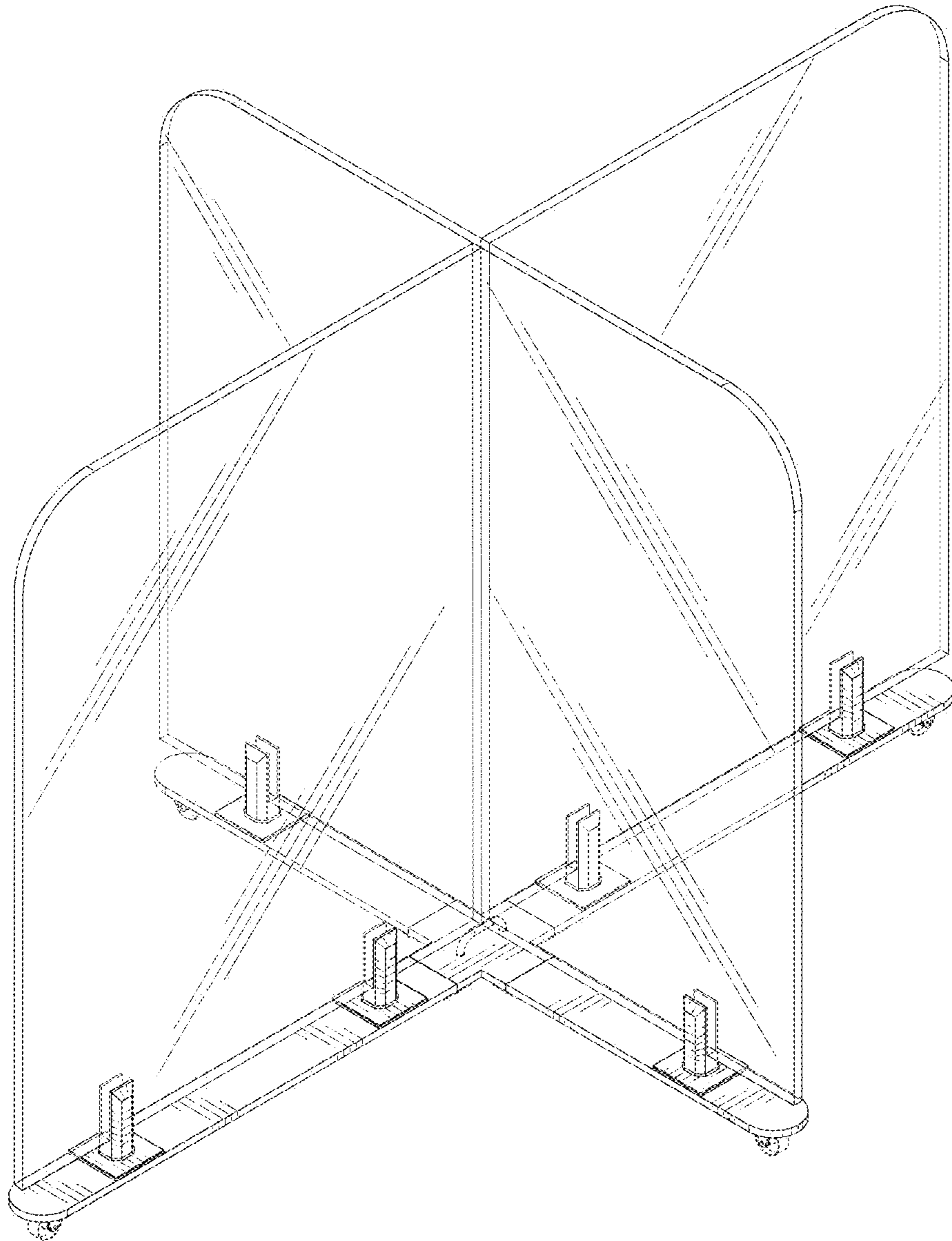


FIG. 2

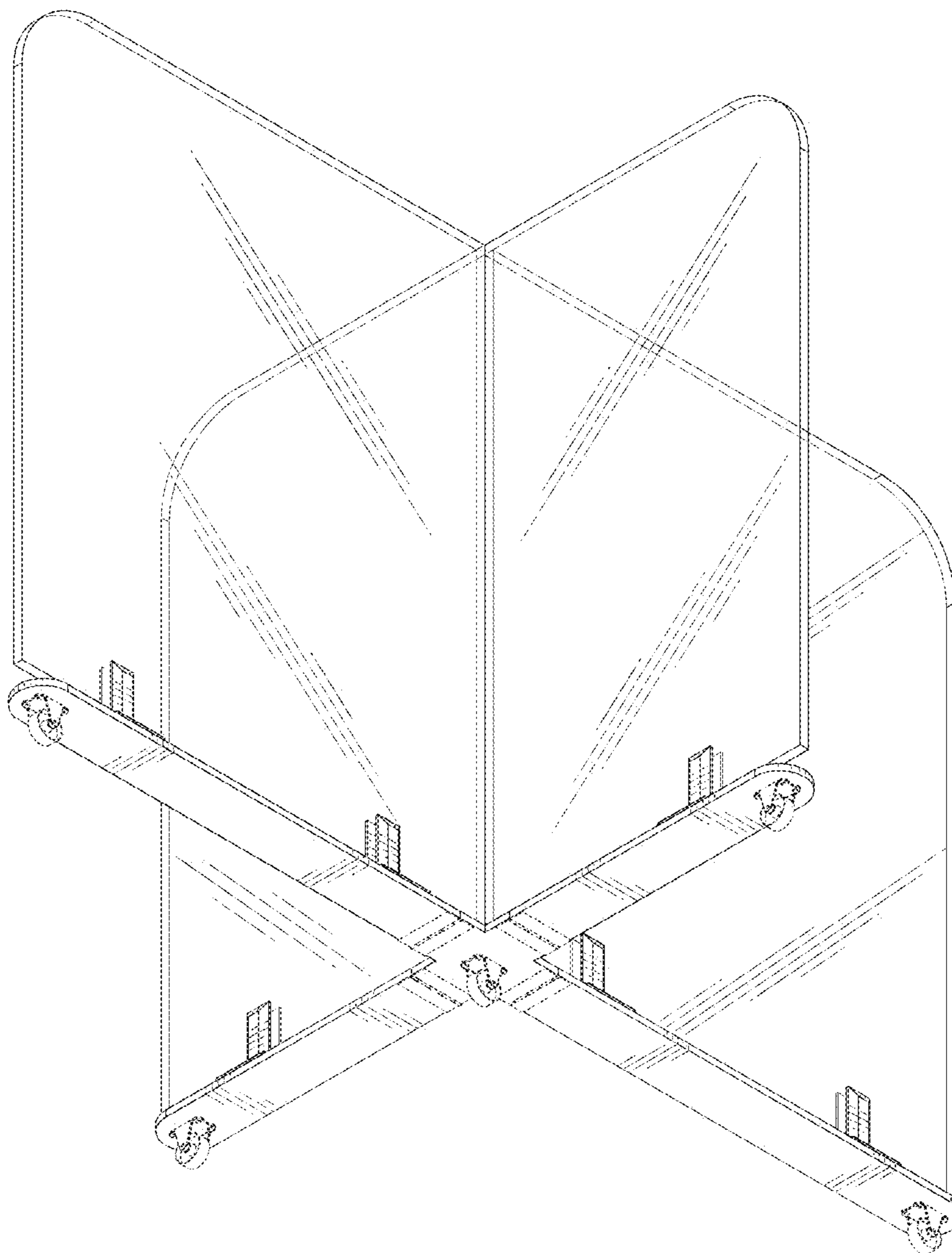


FIG. 3

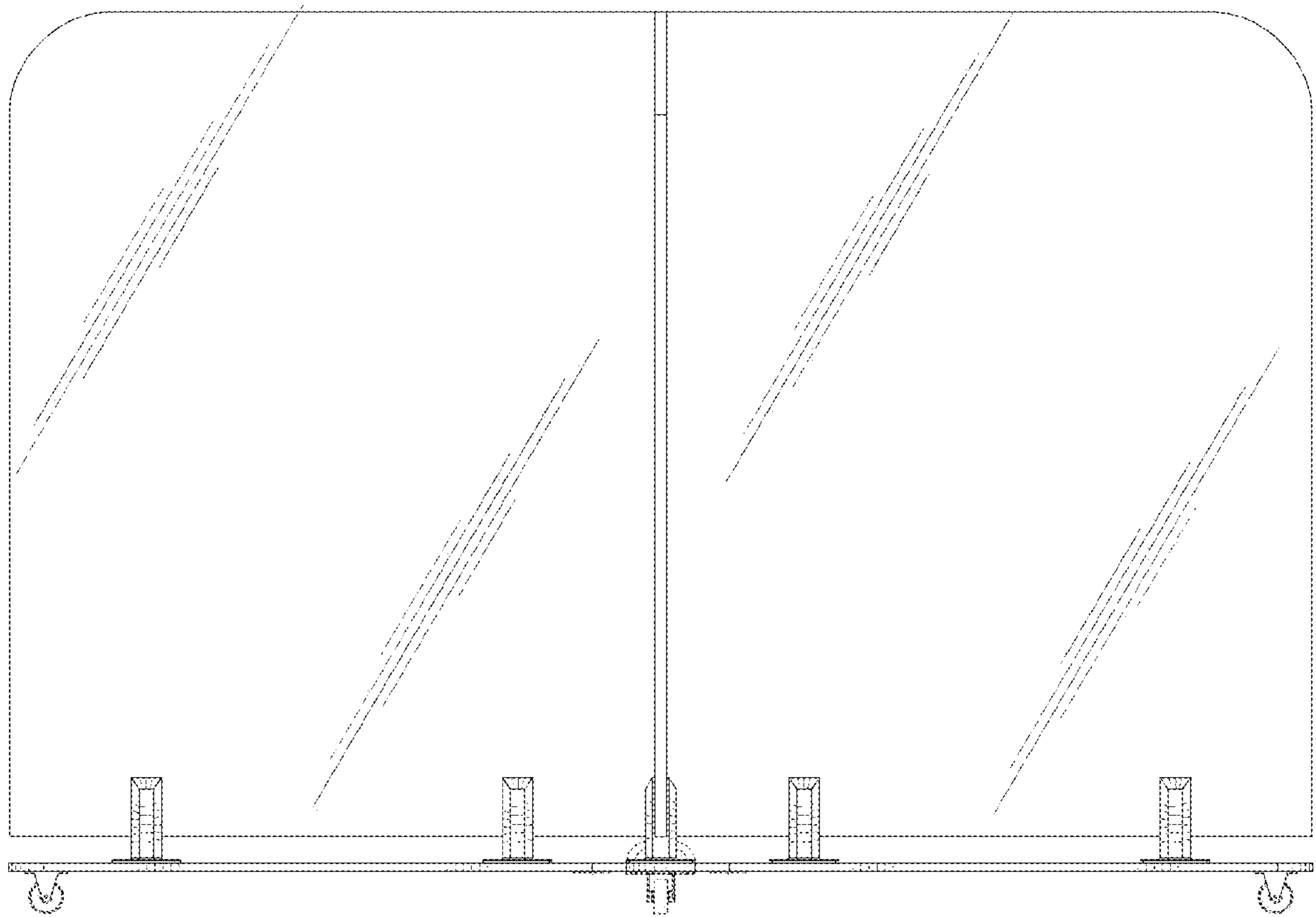


FIG. 4

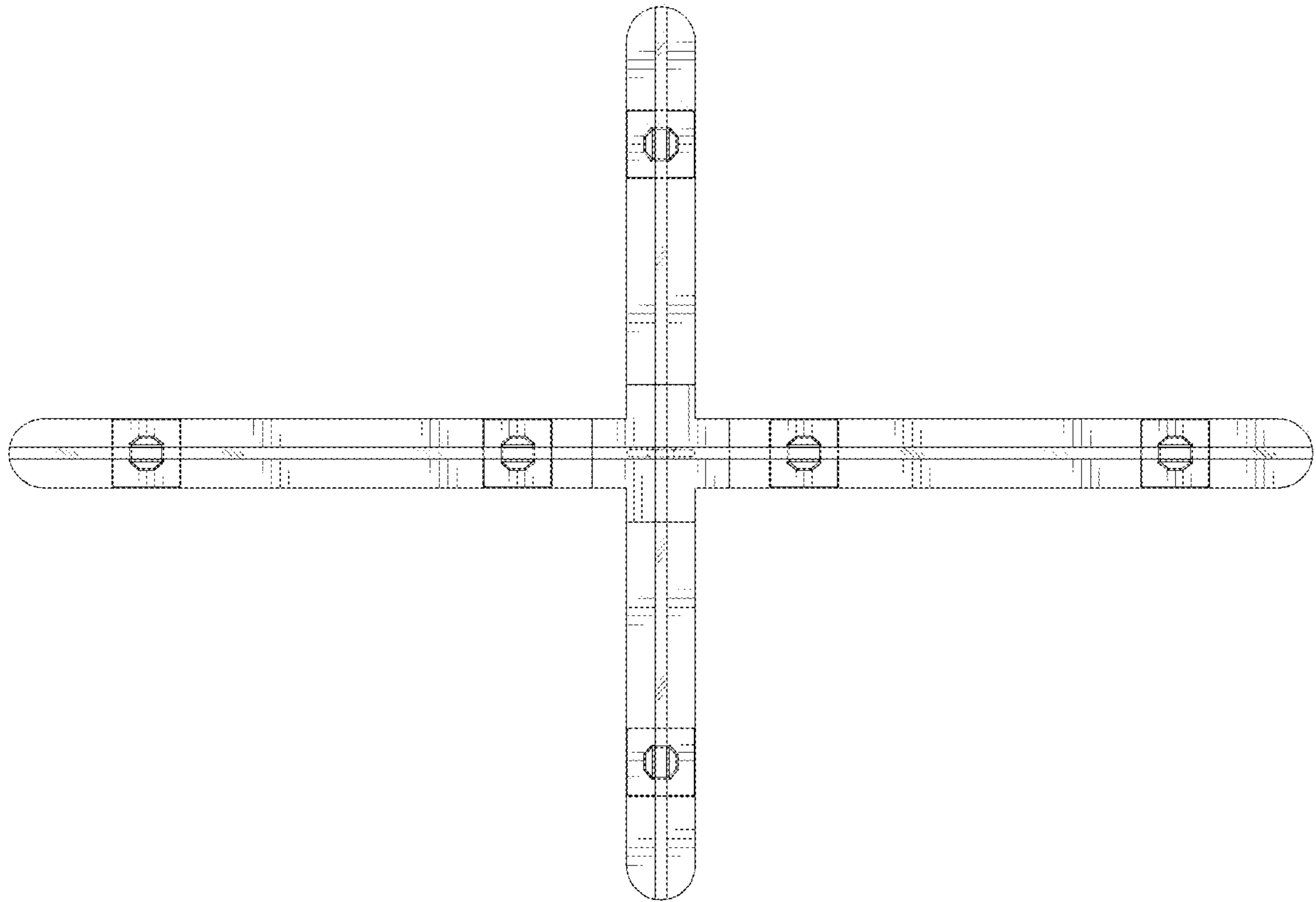


FIG. 5

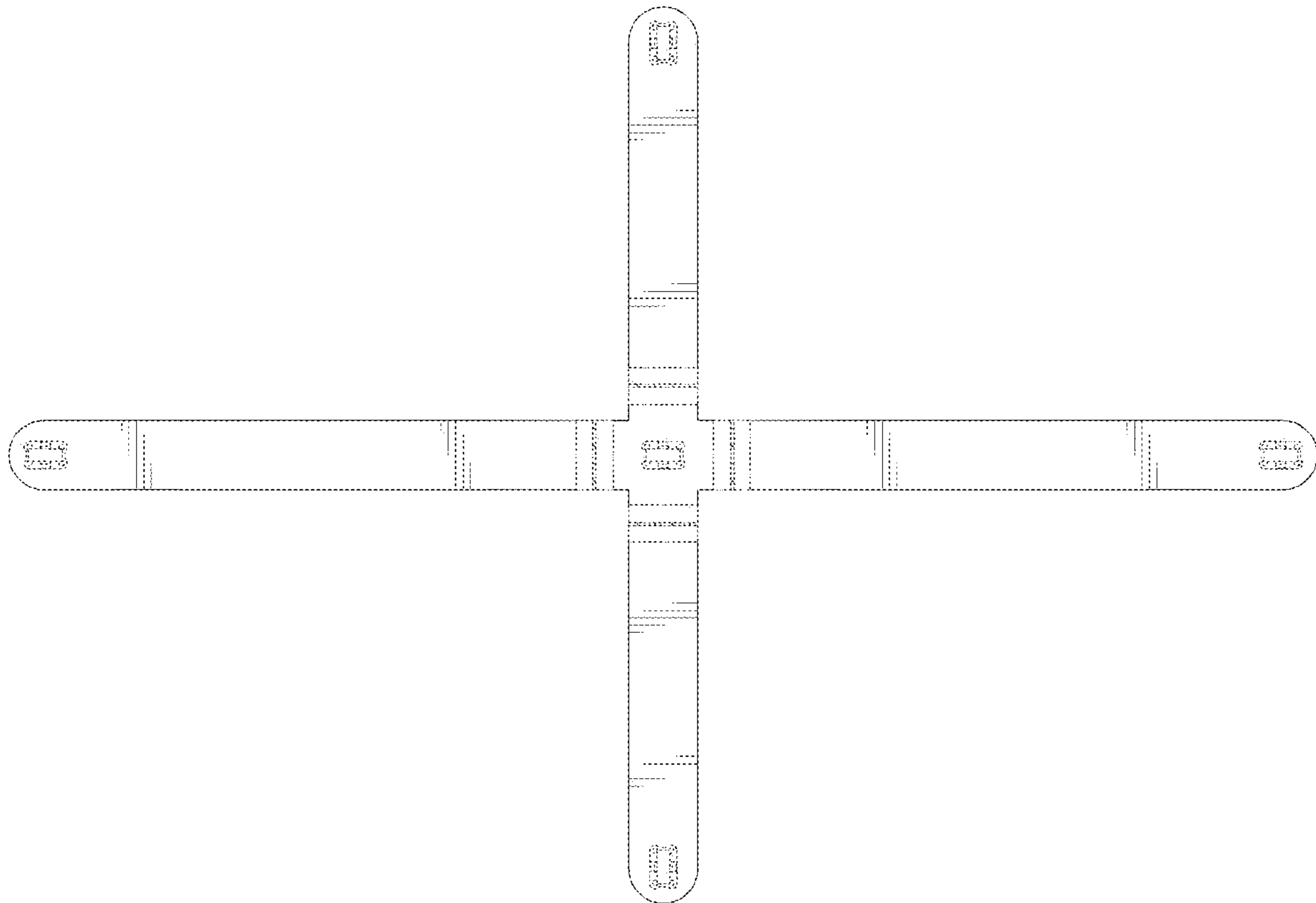


FIG. 6

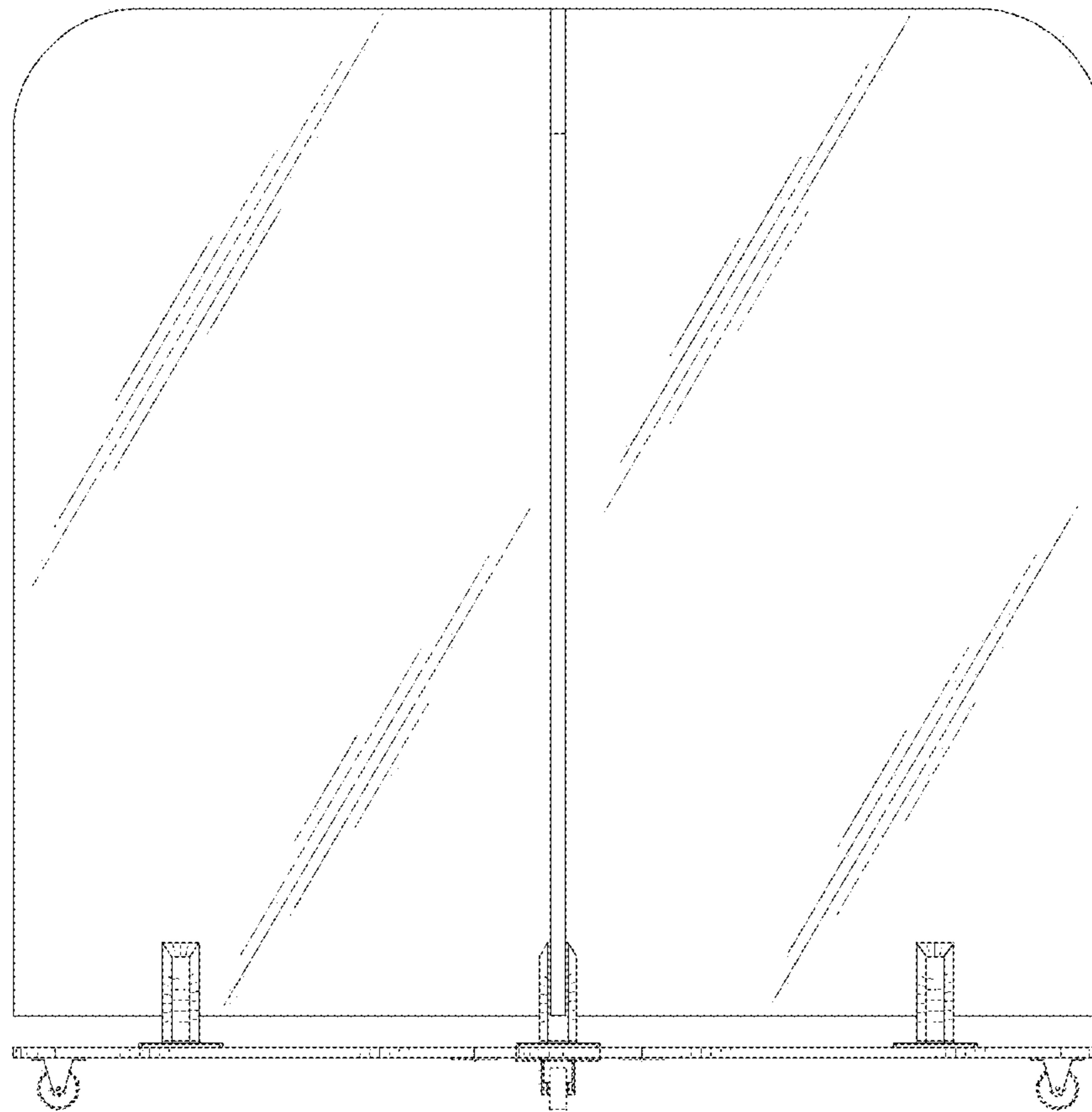


FIG. 7

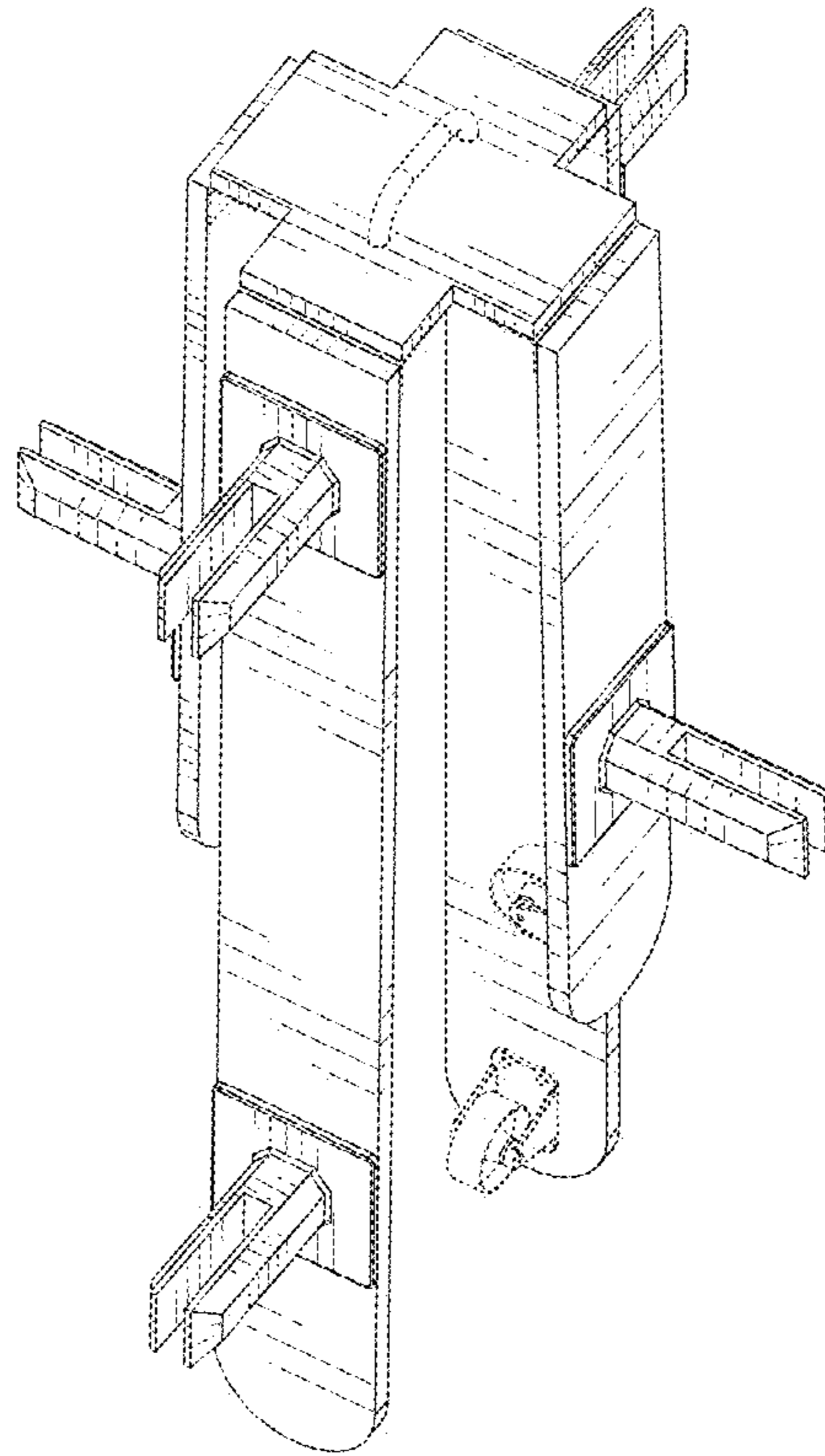


FIG. 8