



US00D944545S

(12) **United States Design Patent** (10) **Patent No.:** **US D944,545 S**
Losness et al. (45) **Date of Patent:** **** Mar. 1, 2022**

(54) **HANGER**

2,514,820 A 7/1950 Wing
D164,710 S * 10/1951 Perry D6/319
2,596,745 A 5/1952 Waldman
2,617,565 A 11/1952 Suydam
2,643,037 A 6/1953 Clover
(Continued)

(71) Applicant: **TARGET BRANDS, INC.**,
Minneapolis, MN (US)

(72) Inventors: **Laurie Losness**, Coon Rapids, MN
(US); **Richard P. Riedel**, Blaine, MN
(US); **Terrence J. Hornsby, Jr.**,
Minneapolis, MN (US)

(73) Assignee: **TARGET BRANDS, INC.**,
Minneapolis, MN (US)

(**) Term: **15 Years**

(21) Appl. No.: **29/813,579**

(22) Filed: **Oct. 29, 2021**

Related U.S. Application Data

(62) Division of application No. 29/712,577, filed on Nov. 8, 2019, now Pat. No. Des. 936,679.

(51) **LOC (13) Cl.** **06-08**

(52) **U.S. Cl.**
USPC **D6/326**; D6/315; D6/318

(58) **Field of Classification Search**
USPC D6/315-328
CPC A47G 25/26; A47G 25/28; A47G 25/30;
A47G 25/32; A47G 25/34; A47G 25/36;
A47G 25/38; A47G 25/442; A47G
25/625; A47G 25/743; A47G 25/1407;
A47G 25/1457; A47G 2025/1492; A47F
7/18; A47F 7/19; A47F 7/22
See application file for complete search history.

(56) **References Cited**

U.S. PATENT DOCUMENTS

890,023 A 6/1908 Dike
1,417,921 A 5/1922 Kitchingman
2,171,680 A 9/1939 Baugh
2,419,723 A 4/1947 Mack, Sr.

FOREIGN PATENT DOCUMENTS

DE 825879 B 12/1951
FR 2351633 A1 12/1977
(Continued)

OTHER PUBLICATIONS

“Velvet Flocked Hanger”, printed from www.dhgate.com/product/flocked-hanger-with-good-quality-druable/138480211.html, publicly available at least as early as Jan. 18, 2017 (3 pages).

Primary Examiner — Lauren R Calve

(74) *Attorney, Agent, or Firm* — JoAnn M. Seaton;
Griffiths & Seaton PLLC

(57) **CLAIM**

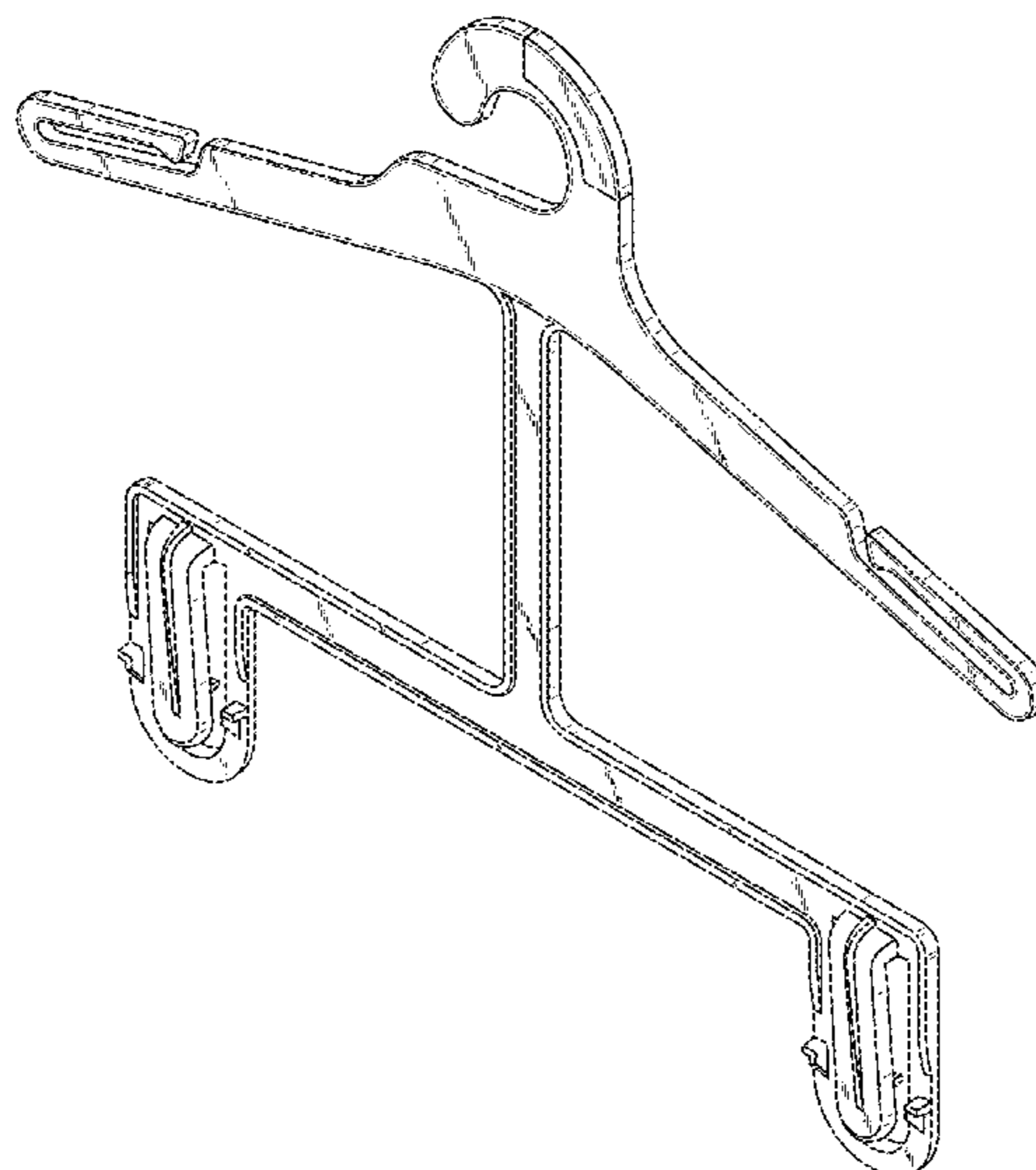
The ornamental design for a hanger, as shown and described.

DESCRIPTION

FIG. 1 is a front, top perspective view of a hanger showing our new design;
FIG. 2 is a front view thereof;
FIG. 3 is a rear view thereof;
FIG. 4 is a right side view thereof;
FIG. 5 is a left side view thereof;
FIG. 6 is a top view thereof; and,
FIG. 7 is a bottom view thereof.

The features shown in broken lines are portions of the hanger forming no part of the claimed design. The features shown in long dash-short dash bolded broken lines indicate the bounds of the claimed design and otherwise form no part of the claimed design.

1 Claim, 5 Drawing Sheets



(56)

References Cited

U.S. PATENT DOCUMENTS

2,723,787 A	11/1955	Bransdorf	5,632,423 A	5/1997	Louw
2,912,149 A	11/1959	Stuard	5,641,100 A	6/1997	Mitchell et al.
D192,280 S	2/1962	Zuckerman	5,642,840 A	7/1997	Abdi
3,085,724 A	4/1963	Wilde	5,664,709 A	9/1997	Graham
D196,214 S	9/1963	Warmath, III	5,683,018 A	11/1997	Sullivan et al.
D196,623 S	10/1963	Warmath	5,775,553 A	7/1998	Marshall et al.
D205,113 S	6/1966	Coon	5,778,575 A	7/1998	Deupree et al.
D206,303 S	11/1966	Louik	5,785,216 A	7/1998	Gouldson et al.
3,307,753 A *	3/1967	Levine A47G 25/16 223/95	5,794,363 A	8/1998	Marshall et al.
D210,259 S	2/1968	Holtzman	5,806,728 A	9/1998	Frosstrom et al.
3,401,855 A	9/1968	Balzer et al.	5,819,995 A	10/1998	Zuckerman
3,559,852 A	2/1971	Green	5,868,289 A	2/1999	Lee
D223,230 S	4/1972	Kamins et al.	5,944,237 A	8/1999	Gouldson
3,731,857 A	5/1973	Haggar	D414,044 S	9/1999	Choi et al.
3,949,914 A	4/1976	Ostroll	5,992,714 A	11/1999	Morgan
D245,748 S	9/1977	Ostroll	D418,171 S	12/1999	Robinson et al.
4,063,670 A	12/1977	Faarbech	6,019,260 A	2/2000	Gouldson
D264,912 S	6/1982	Bliss et al.	6,029,868 A	2/2000	Willinger et al.
D271,552 S	11/1983	Samuels	6,041,983 A	3/2000	Sullivan et al.
4,450,639 A	5/1984	Duester	6,041,984 A	3/2000	Gouldson
4,517,709 A	5/1985	Arentsen et al.	6,053,377 A	4/2000	Beverly
D282,982 S	3/1986	Kodet	6,065,652 A	5/2000	Dooling-Sherman
4,623,079 A	11/1986	Tendrup et al.	6,079,598 A	6/2000	Tasi
4,669,642 A	6/1987	Nicholas	6,105,835 A	8/2000	Hatakeyama
4,717,053 A	1/1988	Wang	6,142,347 A	11/2000	Kolton et al.
4,828,155 A	5/1989	Louw	6,145,713 A	11/2000	Zuckerman
D302,078 S	7/1989	DeWet	6,158,635 A	12/2000	Batts
D302,214 S	7/1989	Wilson	6,170,679 B1	1/2001	Frye et al.
D303,325 S	9/1989	Marshall	6,173,872 B1	1/2001	Cohen
4,871,098 A	10/1989	Bredeweg et al.	6,189,746 B1	2/2001	Gouldson
4,886,195 A	12/1989	Blanchard	6,196,430 B1	3/2001	Gouldson
4,892,237 A	1/1990	Duester et al.	6,209,241 B1	4/2001	Louw
D305,834 S	2/1990	DeVito	6,209,763 B1	4/2001	Rahmey
D305,835 S	2/1990	DeVito	6,250,523 B1	6/2001	Louw
4,989,624 A	2/1991	Darling	6,260,745 B1 *	7/2001	Gouldson A47G 25/1435 223/85
4,997,114 A	3/1991	Petrou	D449,937 S	11/2001	Zuckerman
5,029,739 A	7/1991	Blanchard et al.	6,338,426 B1	1/2002	Okiyama
5,065,916 A	11/1991	Fildan	6,357,638 B2	3/2002	Gouldson
5,069,373 A	12/1991	Kolton et al.	6,378,744 B2	4/2002	Olk et al.
5,071,045 A	12/1991	Hollis	6,382,478 B2	5/2002	Gouldson et al.
5,074,445 A	12/1991	Chen	6,422,437 B2	7/2002	Gouldson et al.
5,074,447 A	12/1991	Kolton et al.	6,435,387 B1	8/2002	Gouldson et al.
5,083,691 A	1/1992	Handrick	6,457,615 B1	10/2002	Lam
5,092,502 A	3/1992	Kolton et al.	6,467,658 B1	10/2002	Olk et al.
5,096,101 A	3/1992	Norman et al.	6,467,659 B2	10/2002	Gouldson
D327,579 S	7/1992	Fildan	6,499,633 B1	12/2002	Pogmore
D327,580 S *	7/1992	Fildan D6/326	6,499,634 B2	12/2002	Olk et al.
5,129,557 A	7/1992	Kolton et al.	6,516,980 B1	2/2003	Goldman
5,135,141 A	8/1992	Harmer et al.	6,564,980 B2	5/2003	Gouldson et al.
D335,157 S	4/1993	Rahbek	6,588,634 B2	7/2003	Gouldson et al.
5,199,608 A	4/1993	Zuckerman	6,609,640 B1	8/2003	Bokmiller
5,236,109 A	8/1993	Zuckerman	6,622,897 B2	9/2003	Bokmiller et al.
5,238,159 A	8/1993	Zuckerman	6,644,520 B2	11/2003	Lam
5,305,933 A	4/1994	Zuckerman	6,675,997 B1	1/2004	Gouldson et al.
5,361,949 A	11/1994	Petrou	6,688,503 B2	2/2004	Viazanko et al.
5,377,884 A	1/1995	Zuckerman	6,705,496 B2	3/2004	Marshall et al.
5,383,583 A	1/1995	Zuckerman	6,715,650 B2	4/2004	Gouldson
5,388,024 A	2/1995	Galvagni	6,726,067 B2	4/2004	Louw
5,400,932 A	3/1995	Hollis	D498,936 S	11/2004	Gouldson
5,407,109 A	4/1995	Zuckerman	D500,412 S	1/2005	Gouldson
5,441,182 A	8/1995	Sullivan	6,865,832 B1	3/2005	Goldman
5,449,099 A	9/1995	Blanchard	6,892,910 B2	5/2005	Capuano et al.
5,469,995 A	11/1995	Bredeweg et al.	D506,078 S	6/2005	Leung et al.
5,485,943 A	1/1996	Zuckerman	D506,620 S	6/2005	Leung et al.
5,503,310 A	4/1996	Zuckerman et al.	D507,120 S	7/2005	Leung et al.
5,524,801 A	6/1996	Dooley et al.	D507,419 S	7/2005	Gouldson
5,573,151 A	11/1996	Fildan	6,915,931 B2	7/2005	Gouldson et al.
5,586,697 A	12/1996	Johansson	6,932,251 B2	8/2005	Kolton et al.
5,590,822 A	1/1997	Zuckerman	D509,073 S	9/2005	Leung et al.
5,597,100 A	1/1997	Blitz	6,948,269 B2	9/2005	Wang
D377,717 S	2/1997	Gouldson	6,978,917 B2	12/2005	Giustini et al.
5,603,437 A	2/1997	Zuckerman	D519,287 S	4/2006	Gouldson
5,611,469 A	3/1997	Eiley et al.	D523,741 S	6/2006	Pluchino et al.
5,613,629 A	3/1997	Zuckerman	D524,150 S	7/2006	Stein et al.
			D527,194 S	8/2006	Yau
			D533,362 S	12/2006	Giampavolo
			7,156,271 B2	1/2007	Louw
			7,178,705 B1	2/2007	Sutton

(56)

References Cited

U.S. PATENT DOCUMENTS

2007/0187439 A1 8/2007 Louw
 2007/0199963 A1 8/2007 Gouldson
 2007/0199965 A1* 8/2007 Gouldson A47G 25/16
 223/91
 2007/0246490 A1 10/2007 Gouldson
 2007/0257071 A1 11/2007 Gouldson
 2007/0272716 A1 11/2007 Wu
 2007/0278259 A1 12/2007 Wong
 2008/0011791 A1 1/2008 Wu
 2008/0011792 A1 1/2008 Gouldson et al.
 2008/0035685 A1 2/2008 Matkovich et al.
 2008/0296324 A1 12/2008 Zhao et al.
 2009/0045232 A1 2/2009 Gray
 2009/0078726 A1 3/2009 Boulet et al.
 2009/0120973 A1 5/2009 Ho
 2009/0127298 A1 5/2009 Sprovieri
 2009/0145937 A1 6/2009 Gouldson
 2009/0159621 A1 6/2009 Gouldson
 2009/0212080 A1 8/2009 Goldman
 2009/0294492 A1 12/2009 Goldman et al.
 2009/0294493 A1 12/2009 Ho et al.
 2009/0294494 A1 12/2009 Ho

2010/0019002 A1 1/2010 Gouldson
 2010/0019005 A1 1/2010 Gouldson
 2010/0025440 A1 2/2010 Gouldson
 2010/0051655 A1 3/2010 Gouldson
 2010/0193553 A1 8/2010 Gouldson
 2010/0252588 A1 10/2010 Gouldson et al.
 2010/0270338 A1 10/2010 Mainetti
 2011/0042423 A1 2/2011 Gouldson
 2011/0057001 A1 3/2011 Louw
 2011/0101044 A1 5/2011 Chan
 2011/0284597 A1 11/2011 Kaleta et al.
 2012/0067929 A1 3/2012 Gouldson
 2012/0097716 A1 4/2012 Gouldson
 2012/0181309 A1 7/2012 Mainetti
 2012/0292352 A1 11/2012 Gouldson
 2015/0060500 A1 3/2015 Yau
 2015/0182055 A1 7/2015 Gouldson et al.
 2017/0000278 A1 1/2017 Hansen et al.

FOREIGN PATENT DOCUMENTS

GB 512467 A 9/1939
 GB 804384 A 11/1958

* cited by examiner

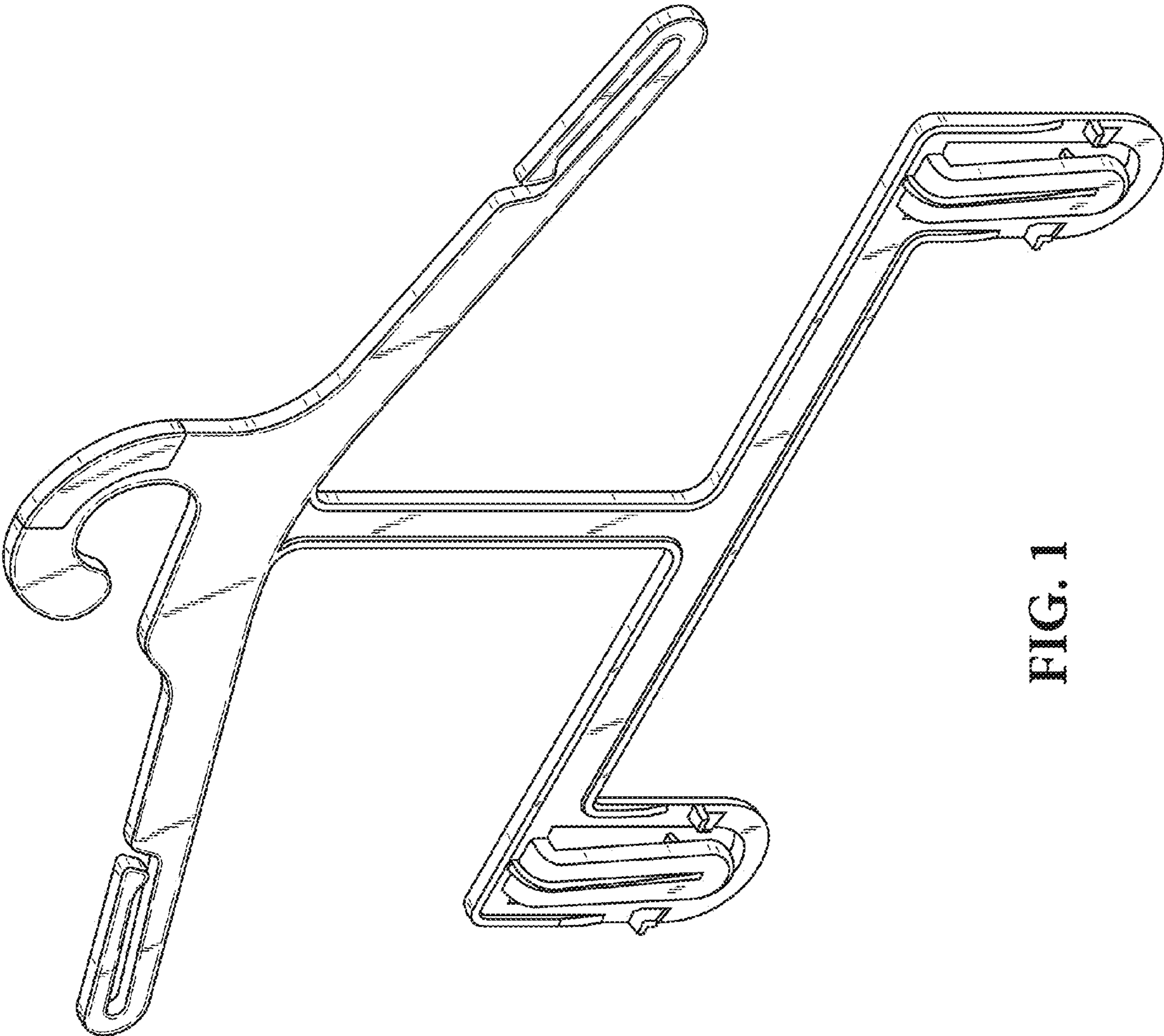


FIG. 1

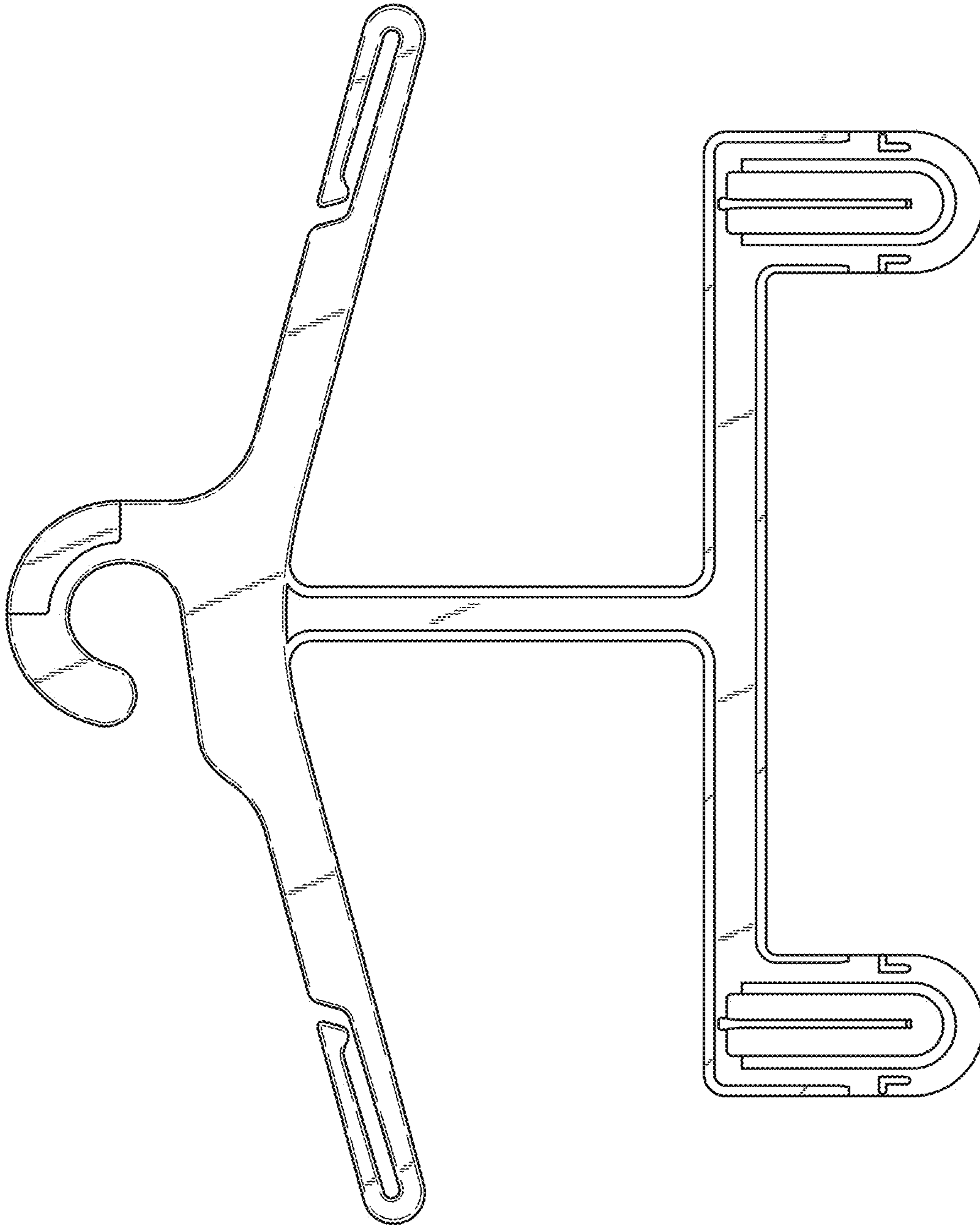


FIG. 2

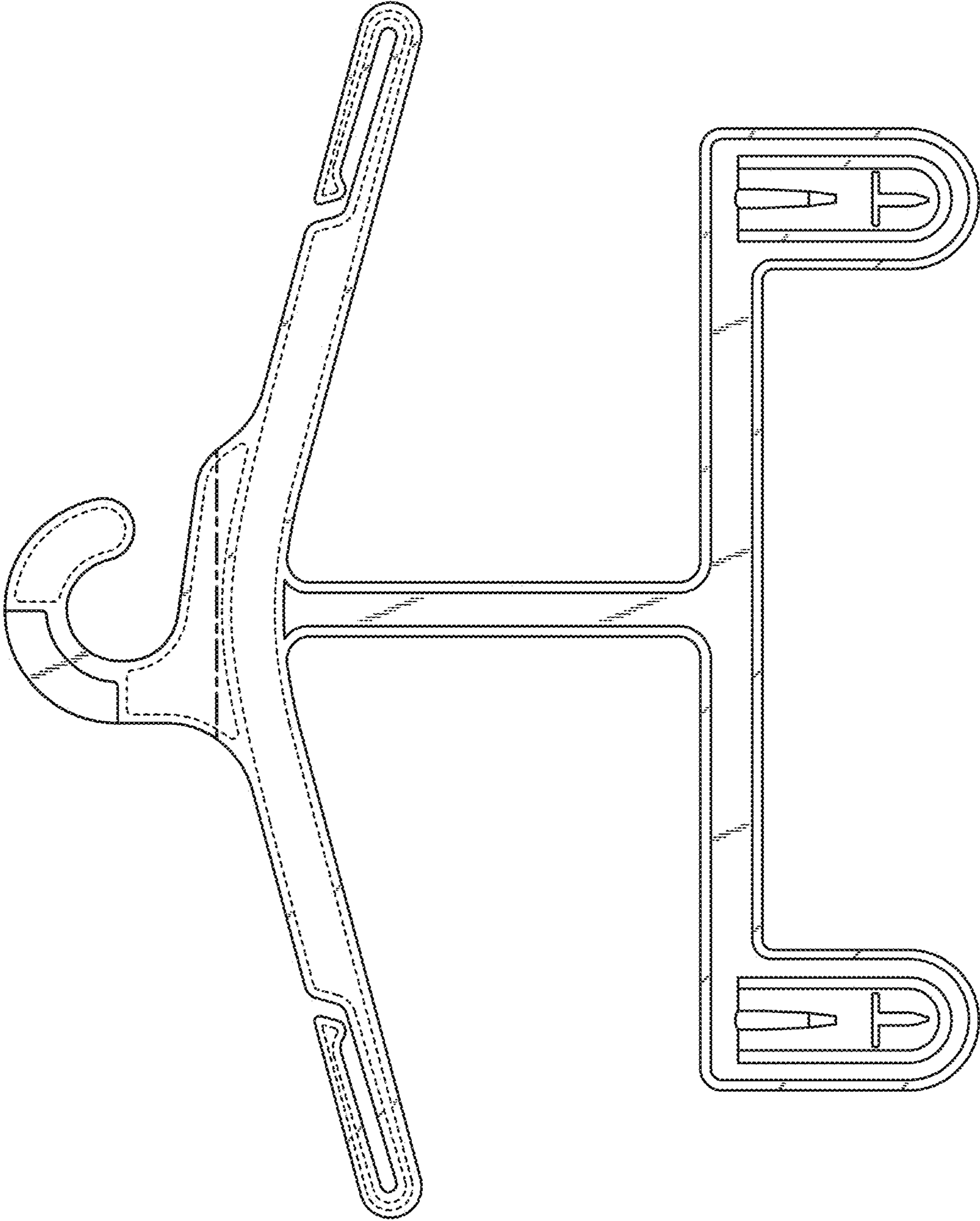


FIG. 3



FIG. 5

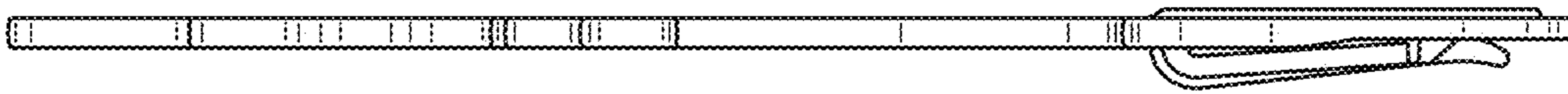


FIG. 4

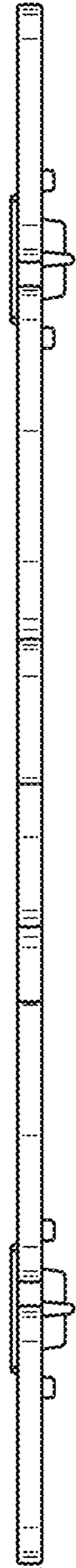


FIG. 6

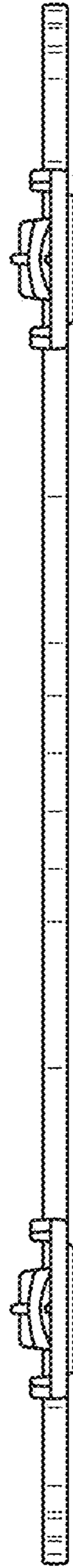


FIG. 7