



US00D944536S

(12) **United States Design Patent**
Leatherwood

(10) **Patent No.:** **US D944,536 S**

(45) **Date of Patent:** **** Mar. 1, 2022**

(54) **HAIR BRUSH**

D883,679 S * 5/2020 Pulfrey D4/134
D899,097 S * 10/2020 Monson D4/134
D903,333 S * 12/2020 Choi D4/134

(71) Applicant: **Felicia Leatherwood**, Los Angeles, CA
(US)

(72) Inventor: **Felicia Leatherwood**, Los Angeles, CA
(US)

(**) Term: **15 Years**

(21) Appl. No.: **29/736,408**

(22) Filed: **May 29, 2020**

(51) **LOC (13) Cl.** **04-99**

(52) **U.S. Cl.**
USPC **D4/134**

(58) **Field of Classification Search**
USPC D4/130, 131, 132, 133, 134, 135, 136,
D4/137, 138; D8/80, 83; D30/158, 159
CPC Y10S 15/10; A46B 2200/1046; A46B
2200/104; A46B 9/023; A46B 9/02
See application file for complete search history.

(56) **References Cited**

U.S. PATENT DOCUMENTS

2,197,551 A * 4/1940 Jensen A46B 15/00
15/186
2,238,603 A * 4/1941 Runnels A45D 24/16
132/120
D132,814 S * 6/1942 Schwartz D4/134
D166,086 S * 3/1952 Le Febvre D4/136
D358,489 S * 5/1995 Balster D4/134
D839,609 S * 2/2019 Robbins D4/134
D846,888 S * 4/2019 Rosenzweig D4/136
D870,461 S * 12/2019 Robbins D4/134

OTHER PUBLICATIONS

Felicia Leatherwood Brush, announced Sep. 23, 2018 [online], [site visited Jun. 7, 2021]. Available from internet, URL: (Year: 2018).*

* cited by examiner

Primary Examiner — George A Bugg
Assistant Examiner — Tamara L Hahn

(74) *Attorney, Agent, or Firm* — Pryor Cashman LLP

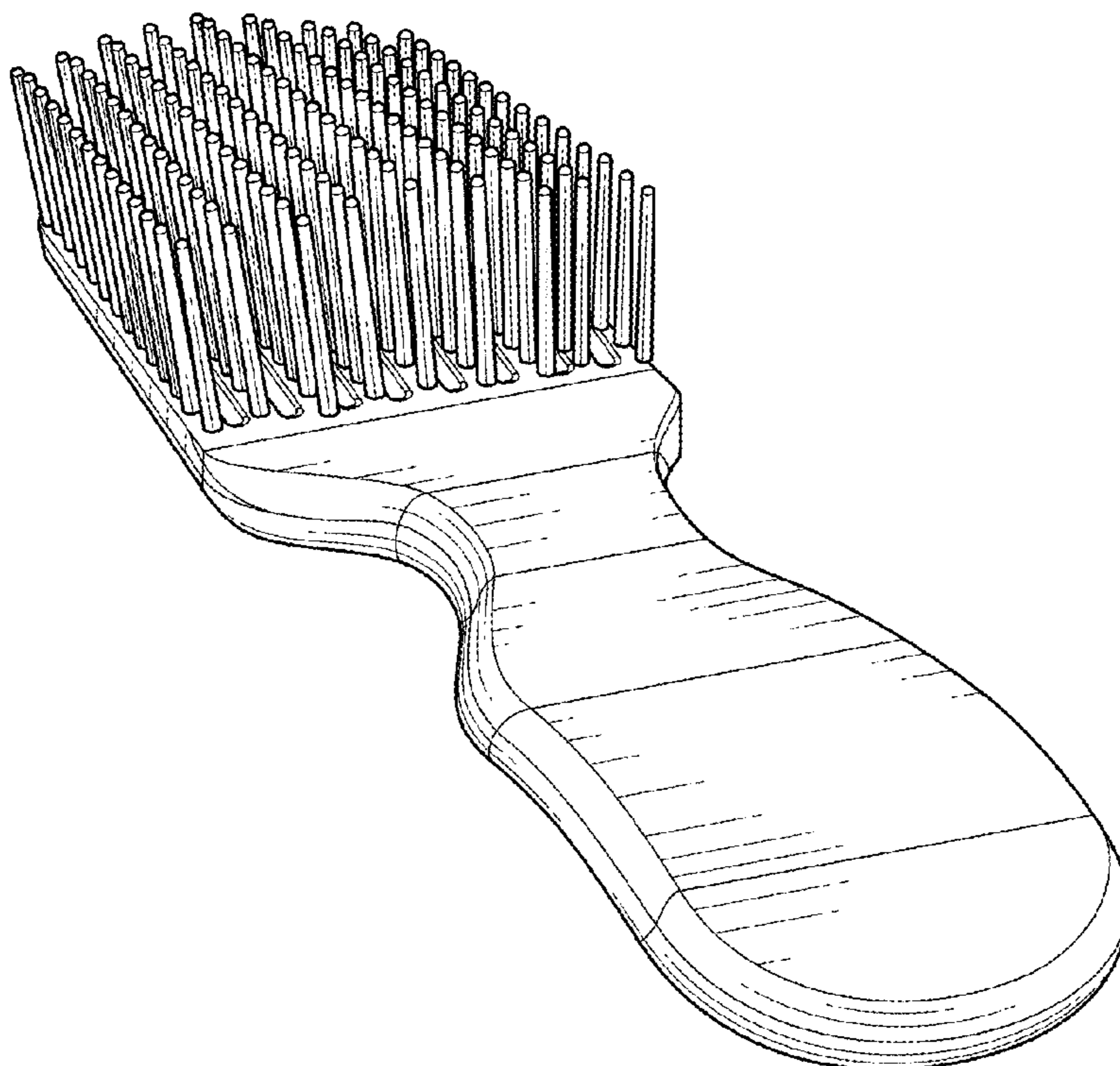
(57) **CLAIM**

The ornamental design for a hair brush, as shown and described.

DESCRIPTION

FIG. 1 is a front side view of a hair brush;
FIG. 2 is a back side view of the hair brush;
FIG. 3 is a right side view of the hair brush;
FIG. 4 is a left side view of the hair brush;
FIG. 5 is a top side view of the hair brush;
FIG. 6 is a bottom side view of the hair brush;
FIG. 7 is a top side perspective view of the hair brush; and,
FIG. 8 is a bottom side perspective view of the hair brush.
The broken lines in the drawings are for illustrative purposes only and form no part of the claimed design.

1 Claim, 3 Drawing Sheets



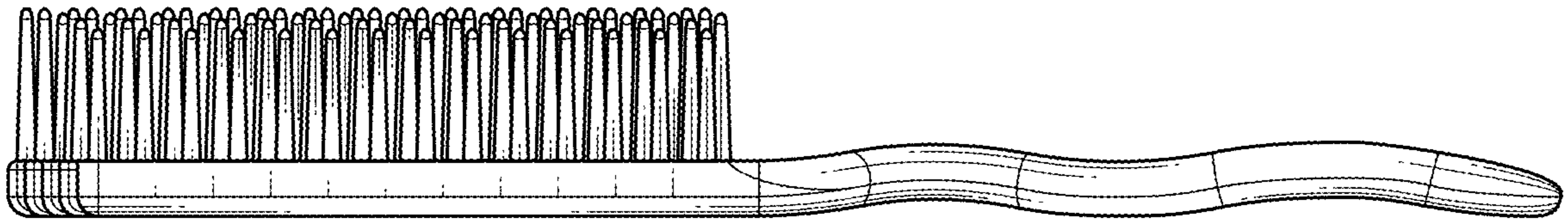


FIG. 1

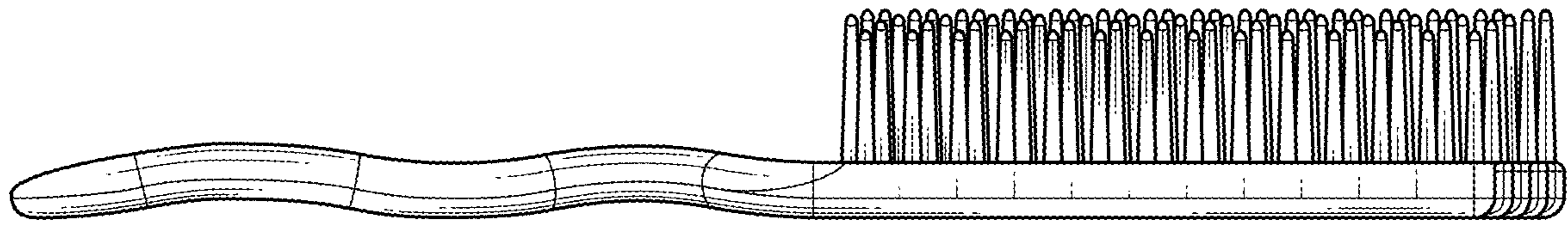


FIG. 2

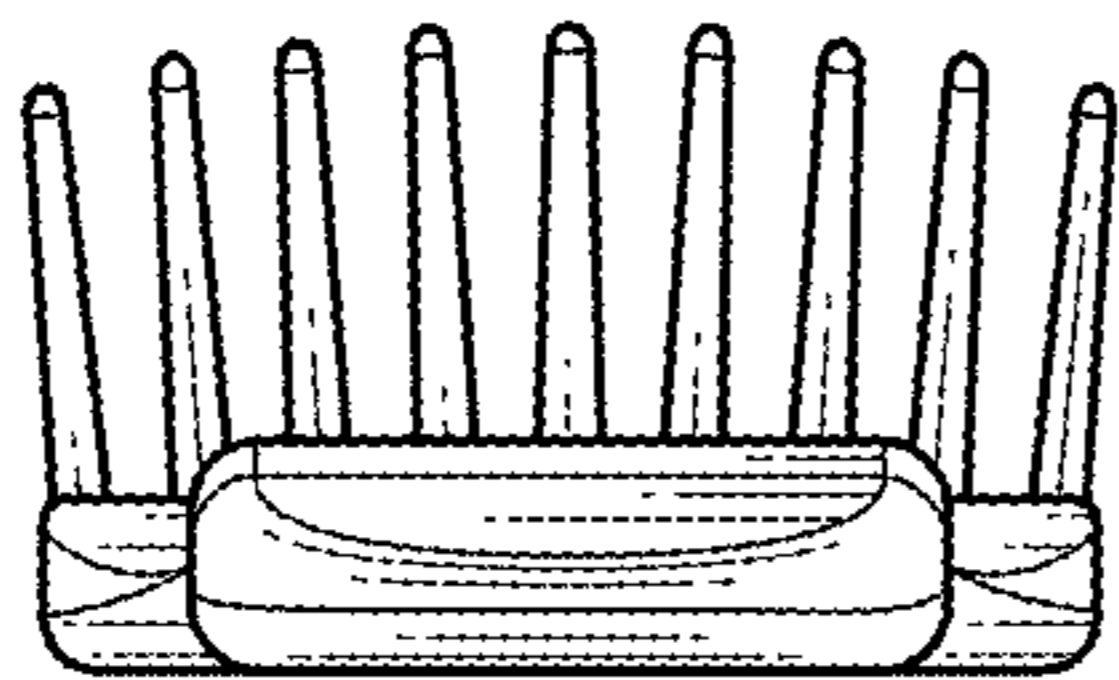


FIG. 3

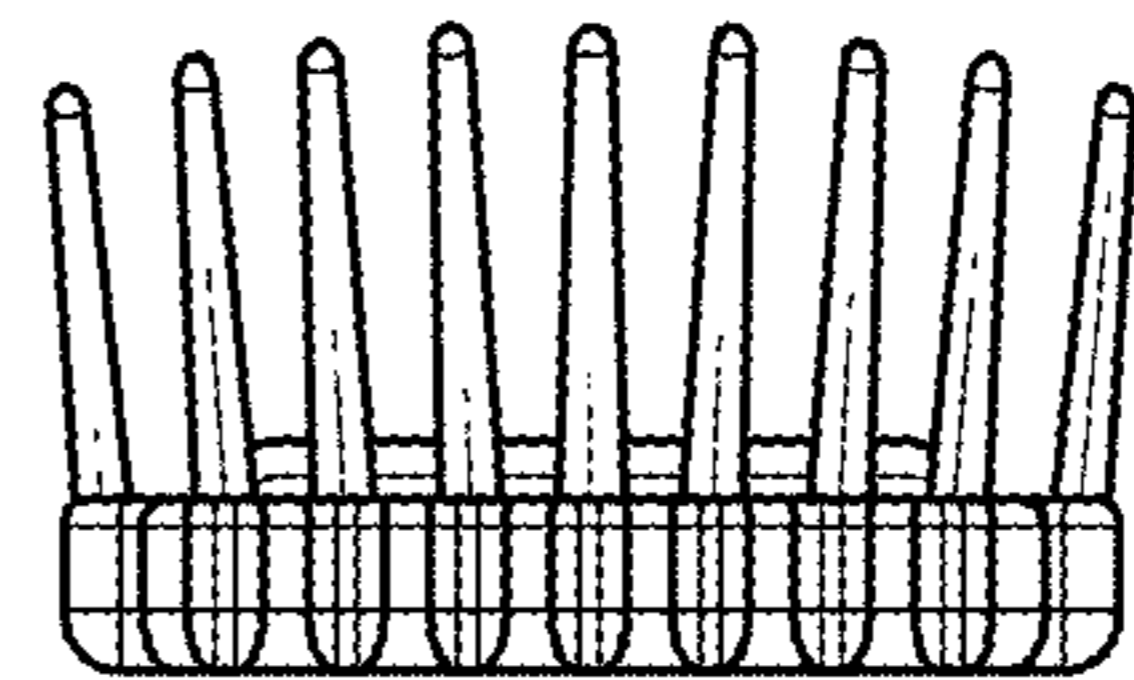


FIG. 4

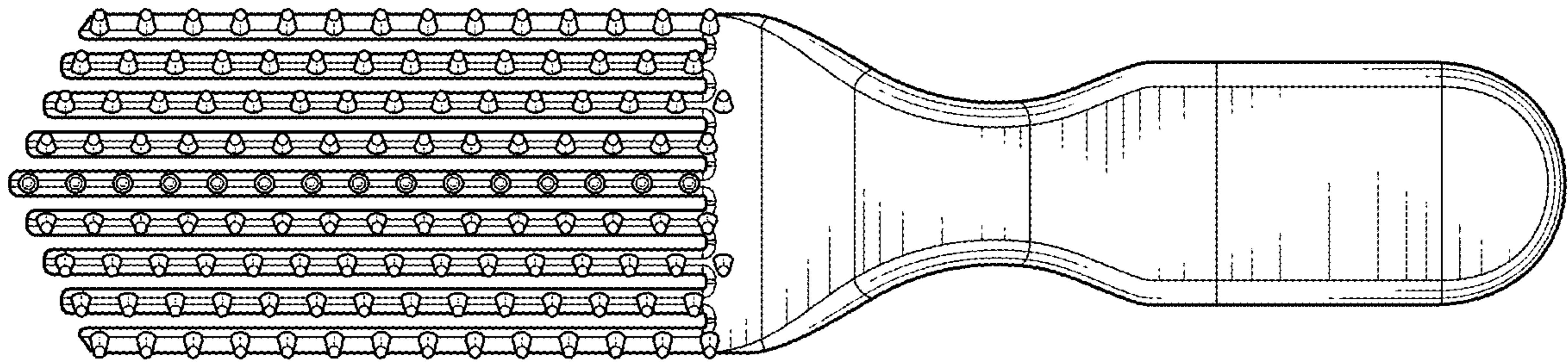


FIG. 5

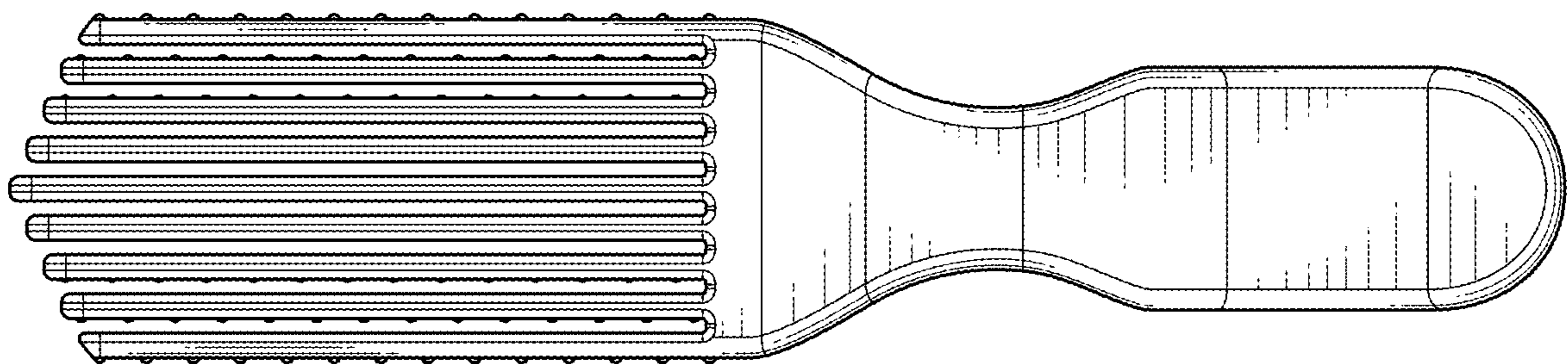


FIG. 6

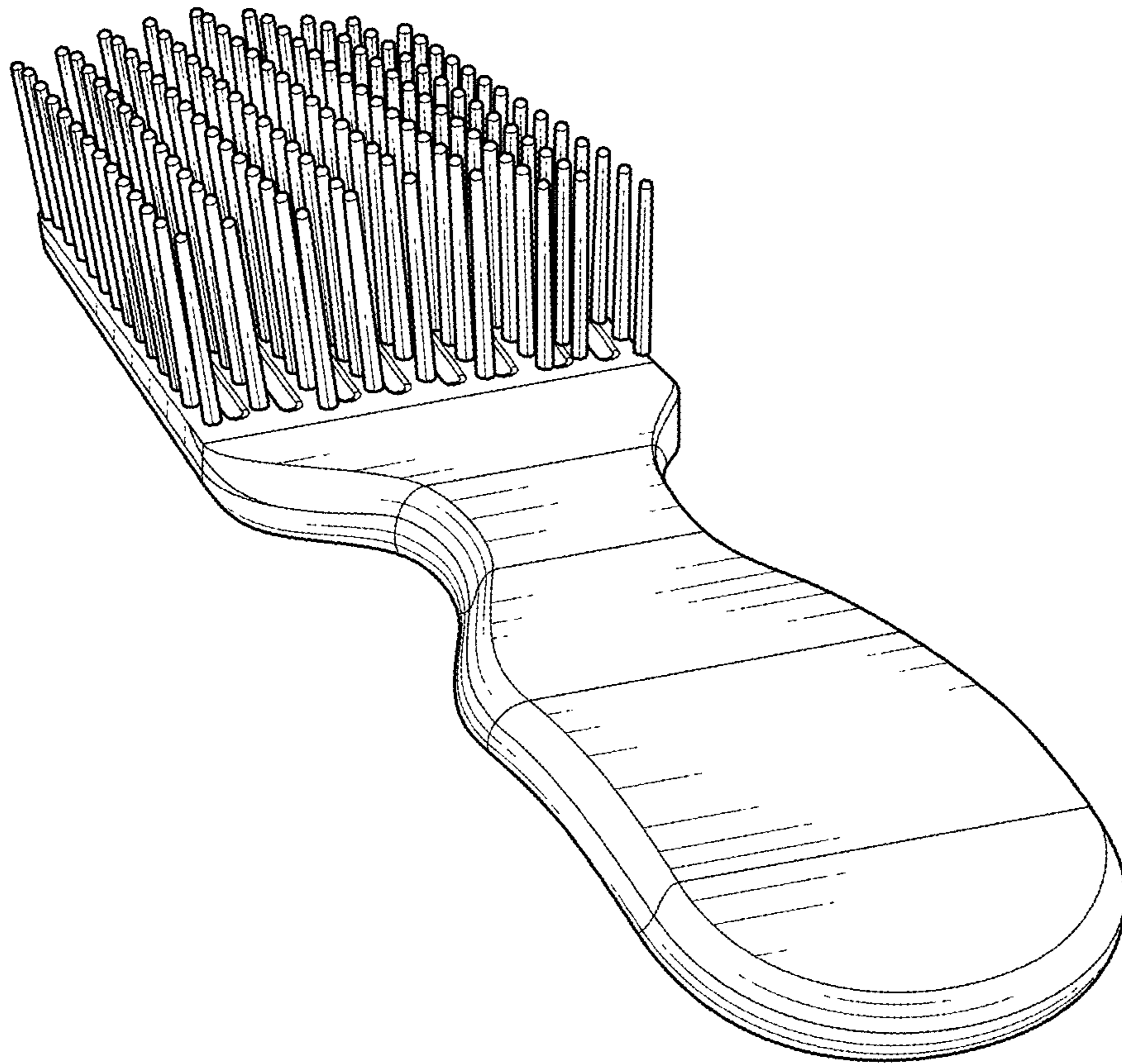


FIG. 7

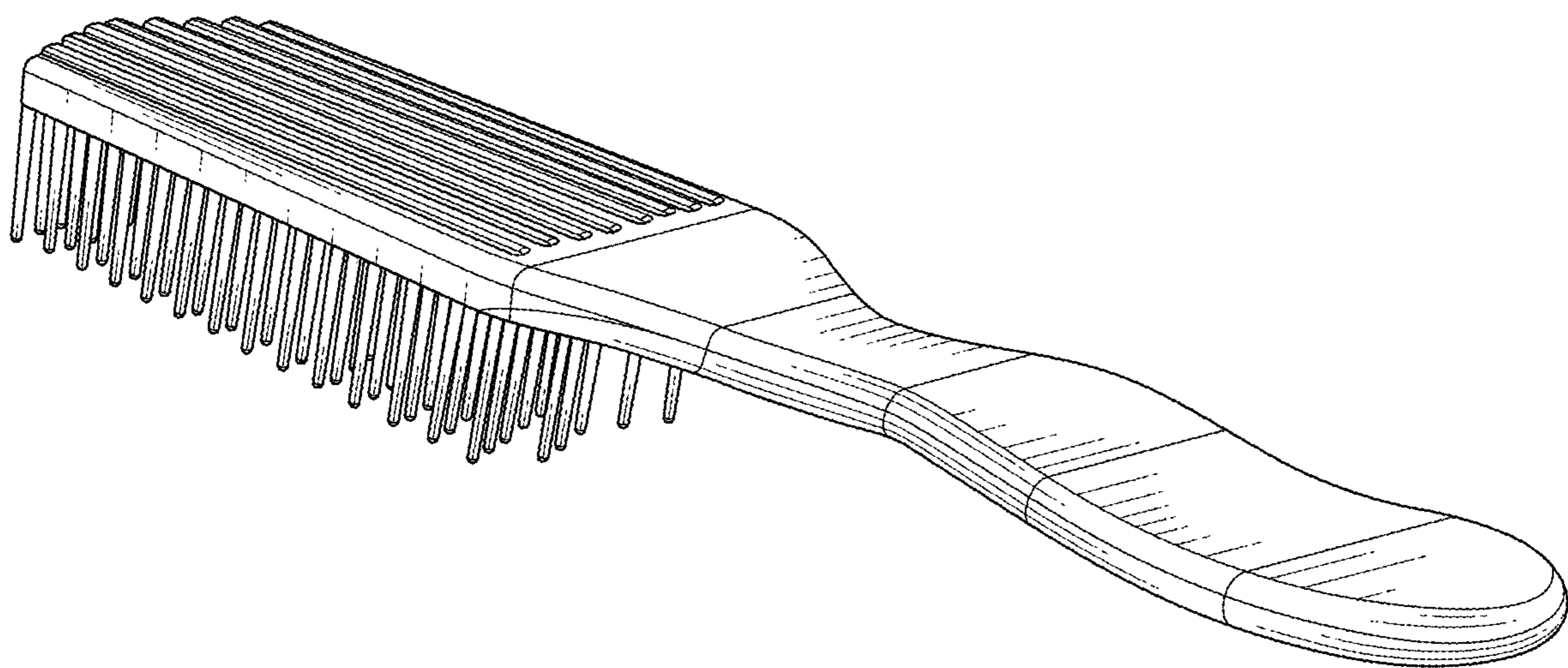


FIG. 8