

US00D944529S

(12) **United States Design Patent**  
**Zhang**

(10) **Patent No.:** **US D944,529 S**  
(45) **Date of Patent:** **\*\* Mar. 1, 2022**

- (54) **JEWELRY BAG**
- (71) Applicant: **Pan Zhang**, Guangdong (CN)
- (72) Inventor: **Pan Zhang**, Guangdong (CN)
- (73) Assignee: **Pan Zhang**, Guangdong (CN)
- (\*\*) Term: **15 Years**
- (21) Appl. No.: **29/728,513**
- (22) Filed: **Mar. 19, 2020**
- (51) **LOC (13) Cl.** ..... **06-06**
- (52) **U.S. Cl.**  
USPC ..... **D3/903; D3/201; D6/513**
- (58) **Field of Classification Search**  
USPC .... D3/299, 903, 301, 201, 205; D19/27, 86;  
D6/512-514, 570-573, 525, 553, 566,  
D6/672, 315; 211/10, 13.1, 35, 41.12,  
211/70.6, 85.2, 86.01, 87.01, 113;  
223/66, 120; 248/176.1; 312/265.1;  
383/23, 40, 121; 206/6.1, 38, 58, 214,  
206/278-279, 288-289, 575, 579, 730,  
206/566, 349, 362.2, 568  
CPC ... A45C 11/16; A45C 13/1069; A45C 13/103;  
A45C 7/0077; A45C 7/00; A45C 13/10  
See application file for complete search history.

(56) **References Cited**

**U.S. PATENT DOCUMENTS**

- D321,789 S \* 11/1991 Martorella ..... D3/293
- D321,790 S \* 11/1991 Martorella ..... D3/278
- D332,697 S \* 1/1993 Schildkraut ..... D3/303
- 5,209,344 A \* 5/1993 Smith ..... A45C 7/0095  
206/466
- 5,246,103 A \* 9/1993 Hicks ..... A45C 11/16  
206/495
- D359,163 S \* 6/1995 Summerfield ..... D3/205
- D364,519 S \* 11/1995 Daughtry ..... D6/513
- D369,261 S \* 4/1996 Brink ..... D6/514

- D382,703 S \* 8/1997 Alves ..... D3/201
- D393,947 S \* 5/1998 Alves ..... D3/201
- D438,412 S \* 3/2001 Dolan ..... D6/513
- D449,158 S \* 10/2001 Banks ..... D3/205
- D455,005 S \* 4/2002 Wolf ..... D3/205
- D461,046 S \* 8/2002 Cohen ..... D3/205
- D544,274 S \* 6/2007 Hume ..... D6/553
- 7,389,868 B2 \* 6/2008 Lewand ..... A45C 11/16  
206/495
- D613,512 S \* 4/2010 Sultan ..... D6/315
- D619,394 S \* 7/2010 Crook ..... D6/513
- D685,590 S \* 7/2013 Hale ..... D6/514
- D702,453 S \* 4/2014 Cohen ..... D6/513
- D708,841 S \* 7/2014 Hebert ..... D3/205
- D740,019 S \* 10/2015 Hynek ..... D3/205
- D790,211 S \* 6/2017 Constantini ..... D3/205
- D790,847 S \* 7/2017 Tappeiner ..... D3/205

(Continued)

*Primary Examiner* — Nathan M Johnston

(74) *Attorney, Agent, or Firm* — Banner & Witcoff, Ltd.

(57) **CLAIM**

The ornamental design for a jewelry bag, as shown and described.

**DESCRIPTION**

FIG. 1 is a side perspective view of the new design of a jewelry bag;

FIG. 2 is a front elevation view thereof;

FIG. 3 is a rear elevation view thereof;

FIG. 4 is a left side view thereof;

FIG. 5 is a right side view thereof;

FIG. 6 is a top view thereof;

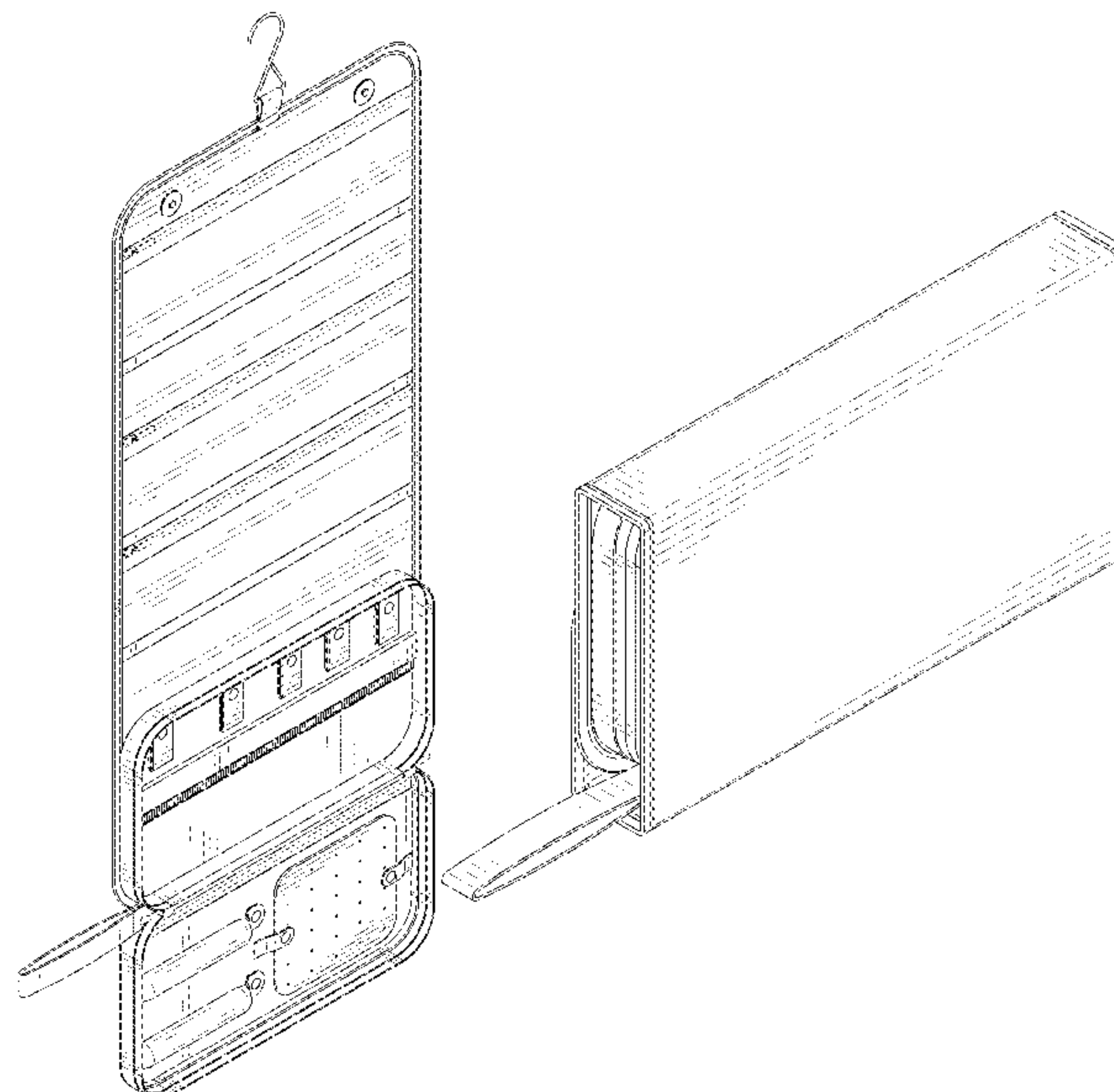
FIG. 7 is a bottom view thereof;

FIG. 8 is a side perspective view thereof, illustrating that the jewelry bag is in a half-closed state; and,

FIG. 9 another side perspective view thereof, illustrating that the jewelry bag is in a closed state.

The broken lines show portions of the jewelry bag that form no part of the claimed design.

**1 Claim, 9 Drawing Sheets**



(56)

**References Cited**

U.S. PATENT DOCUMENTS

D806,378 S \* 1/2018 Lerenthal ..... D3/201  
2020/0113301 A1\* 4/2020 Nolan Krouse ..... A45C 7/0077

\* cited by examiner

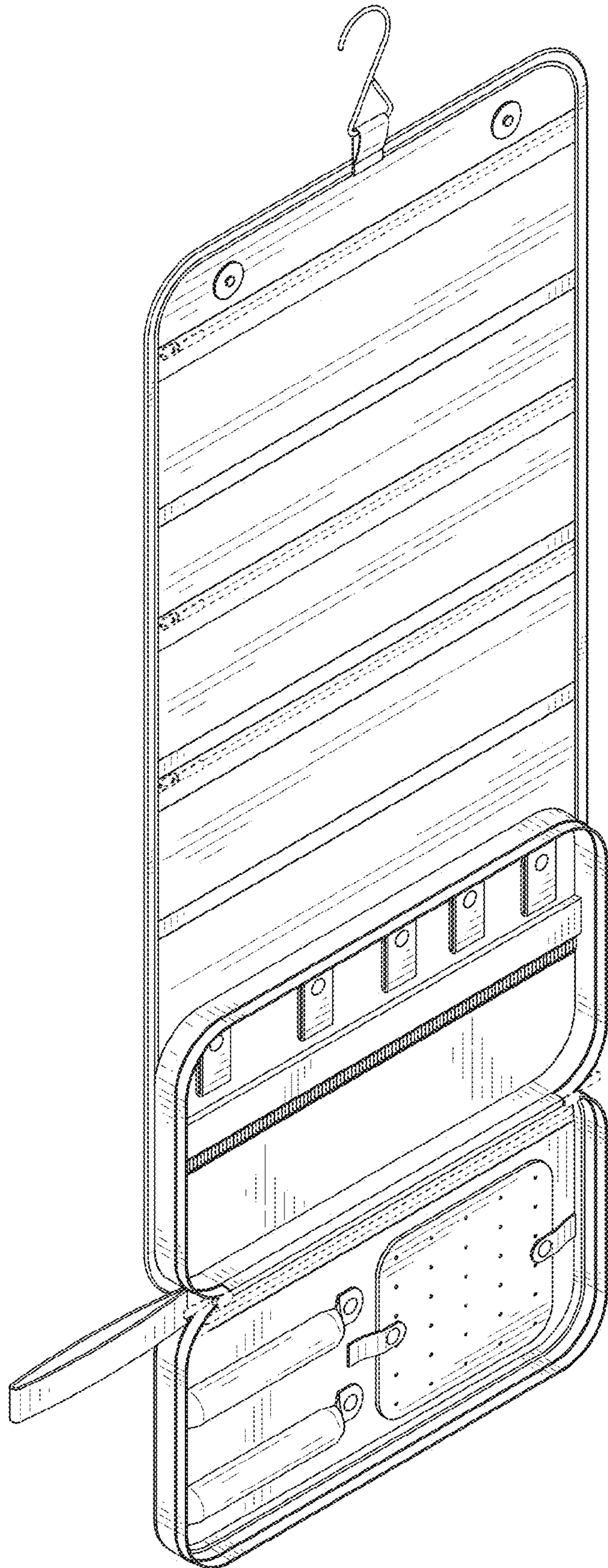


FIG. 1



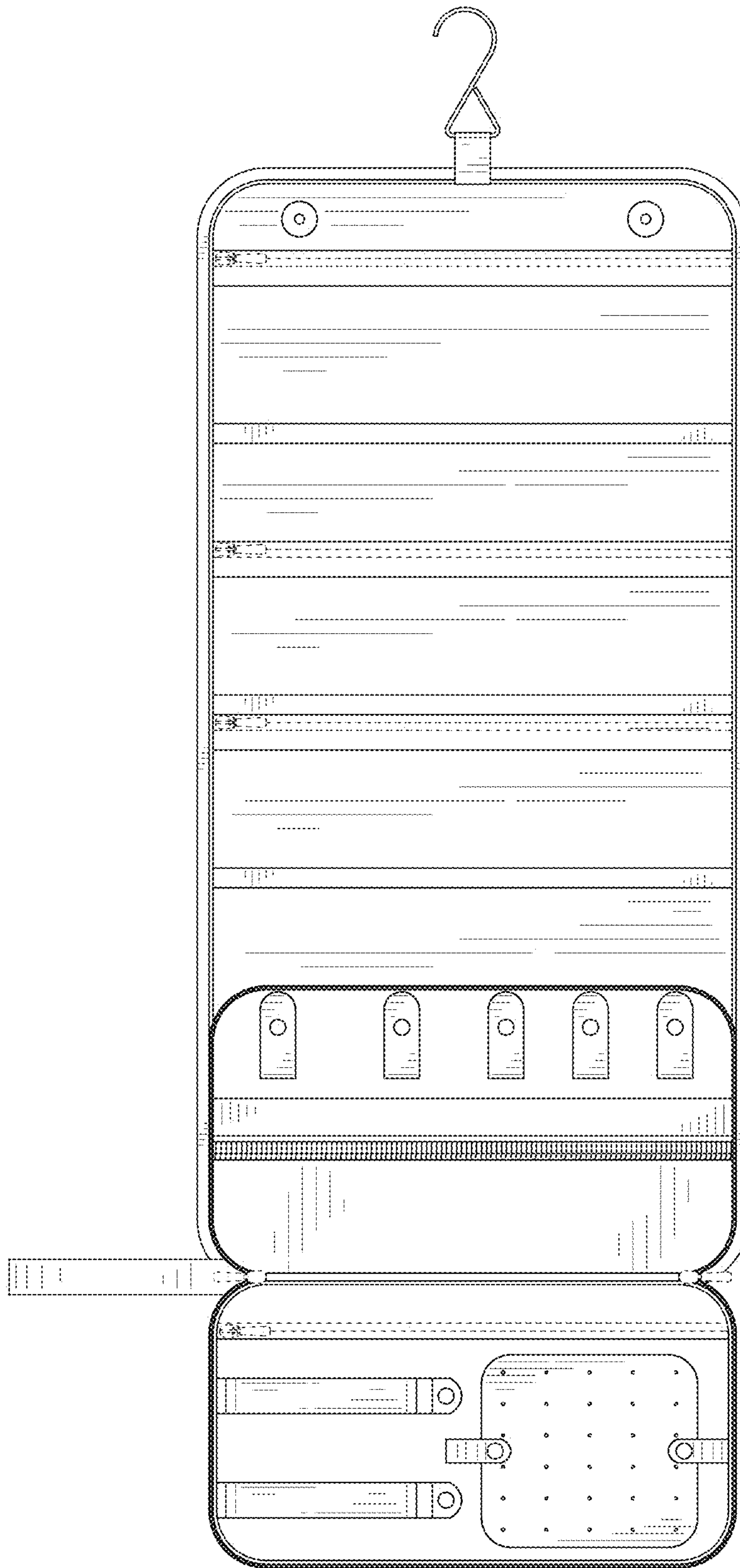


FIG. 2

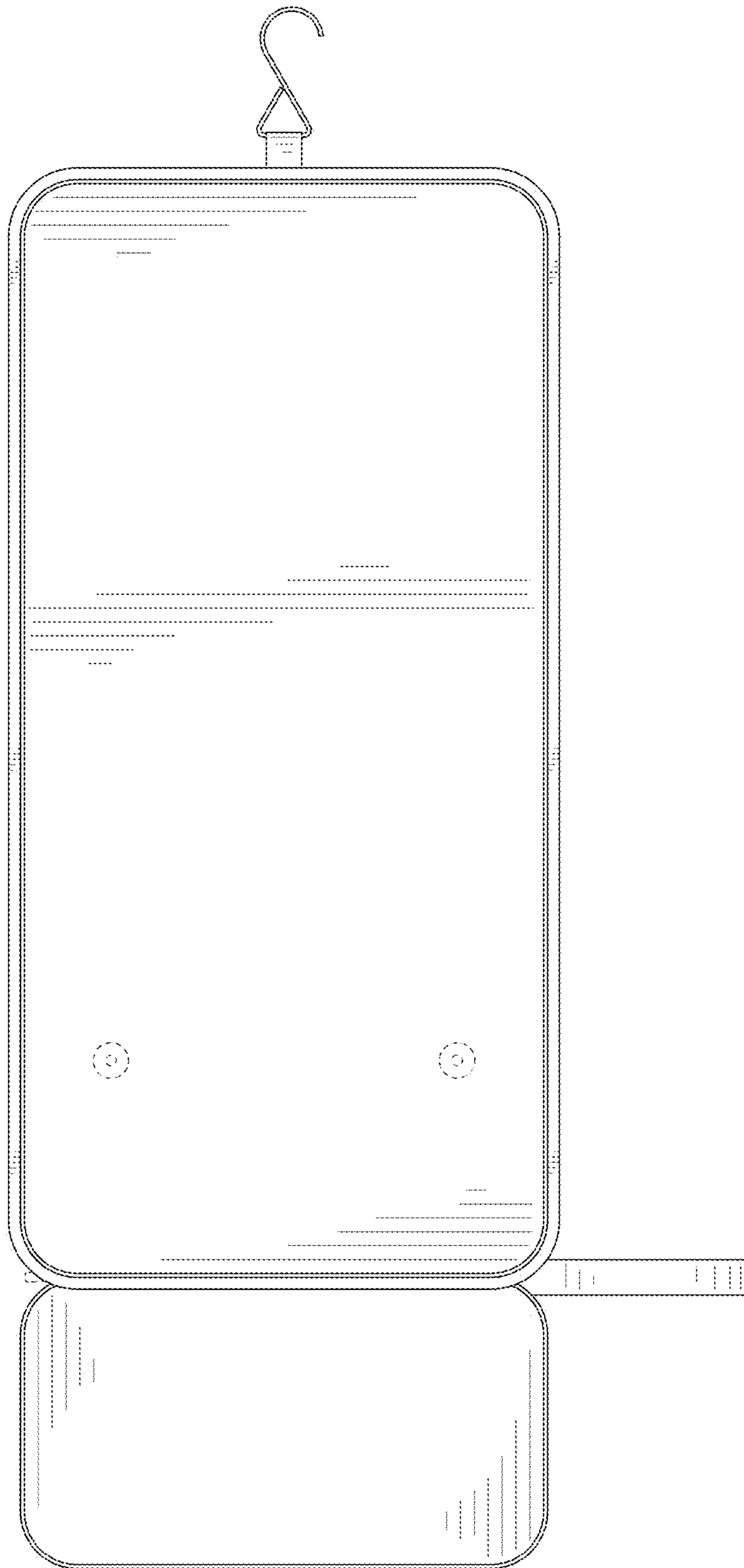


FIG. 3

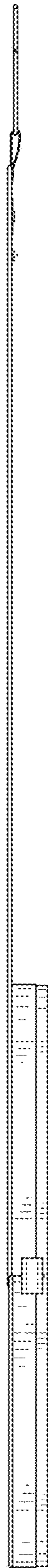


FIG. 4



FIG. 5

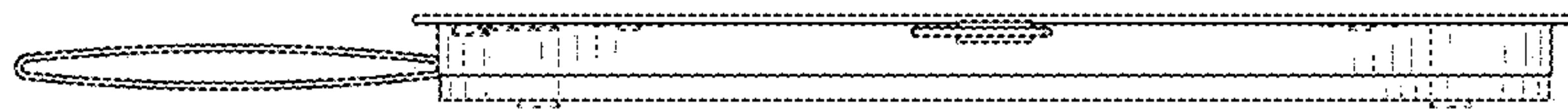


FIG. 6





FIG. 7

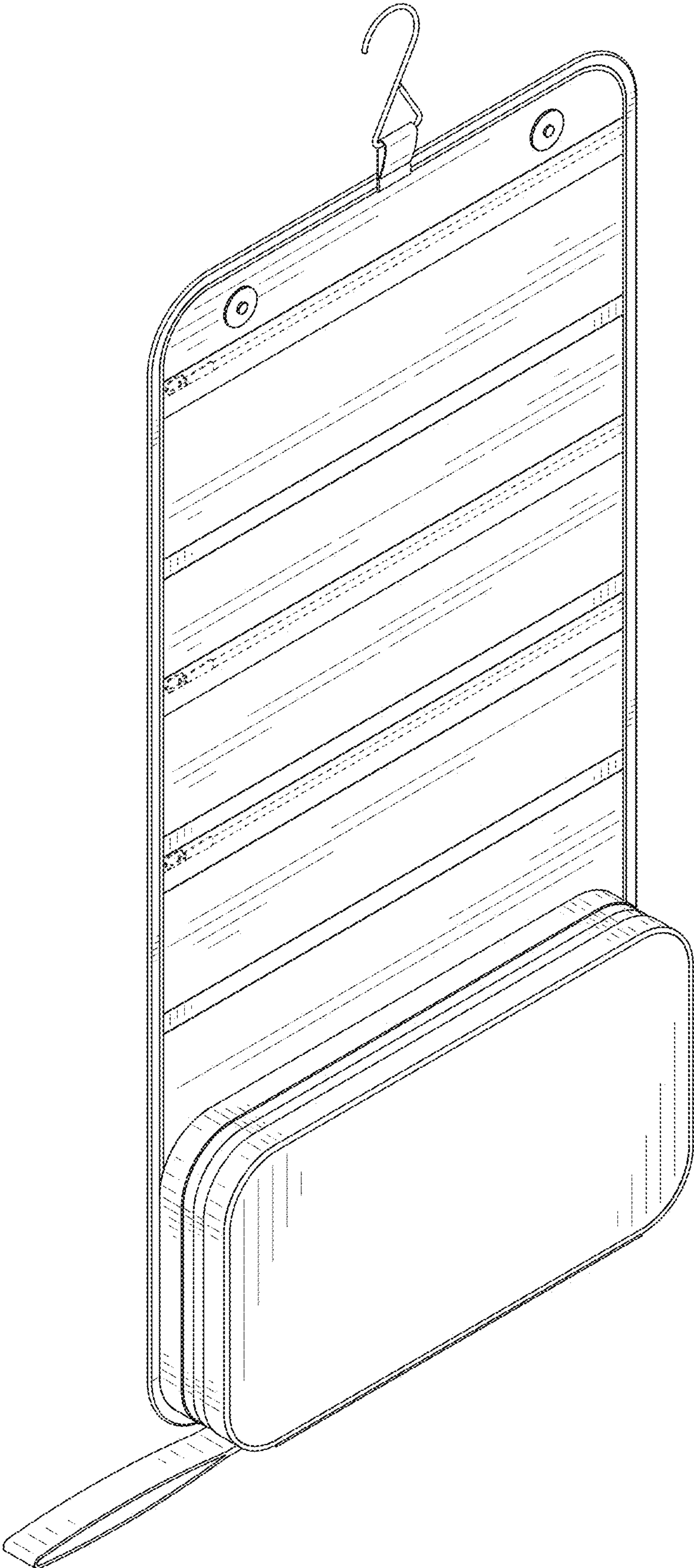


FIG. 8

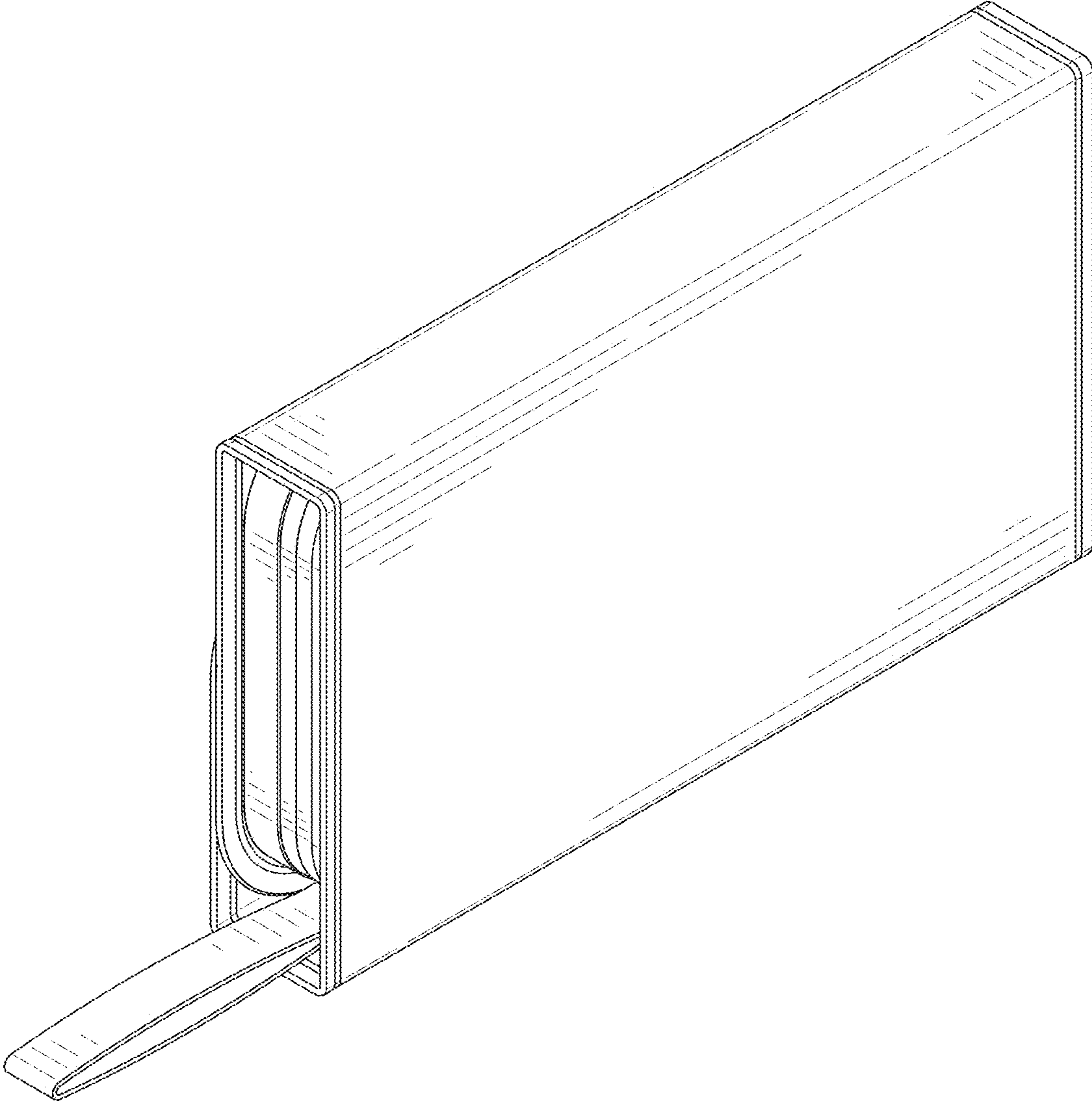


FIG. 9