

US00D944528S

(12) **United States Design Patent**
Gartenburg et al.

(10) **Patent No.:** **US D944,528 S**
(45) **Date of Patent:** **** Mar. 1, 2022**

- (54) **BIN LID**
- (71) Applicant: **Pliteq Inc.**, Toronoto (CA)
- (72) Inventors: **Paul Gartenburg**, Toronto (CA); **Paul Downey**, Toronto (CA)
- (73) Assignee: **Pliteq Inc.**, Toronto (CA)
- (**) Term: **15 Years**
- (21) Appl. No.: **29/715,687**
- (22) Filed: **Dec. 4, 2019**
- (51) **LOC (13) Cl.** **03-01**
- (52) **U.S. Cl.**
USPC **D3/323**; D9/435
- (58) **Field of Classification Search**
USPC D3/294, 302, 304, 306-307, 318-319,
D3/321-323, 326, 905; D9/432, 435,
D9/455, 456; D19/75
CPC B65D 2543/00194; B65D 2543/00296;
B65D 2543/00537; B65D 2575/586
See application file for complete search history.

D623,940 S *	9/2010	Ianello	D9/435
D632,564 S *	2/2011	Caldwell	D9/435
8,733,550 B2 *	5/2014	Harvey	B65D 53/02 206/508
D782,304 S *	3/2017	Cetti	D9/435
D800,494 S *	10/2017	Peng	D7/391
D821,196 S *	6/2018	Doster	D9/433
D861,416 S *	10/2019	Zhang	D7/392.1
D873,566 S *	1/2020	Lewis	D3/302
D875,401 S *	2/2020	Wang	D3/318
D892,541 S *	8/2020	Evans	D7/392.1

FOREIGN PATENT DOCUMENTS

CA 187872 * 6/2019

* cited by examiner

Primary Examiner — Jennifer L Watkins
Assistant Examiner — Samantha Lynne Brodowski
(74) *Attorney, Agent, or Firm* — Tarolli, Sundheim,
Covell & Tummino LLP

(57) **CLAIM**

We claim the ornamental design for a bin lid, as shown and described.

(56) **References Cited**

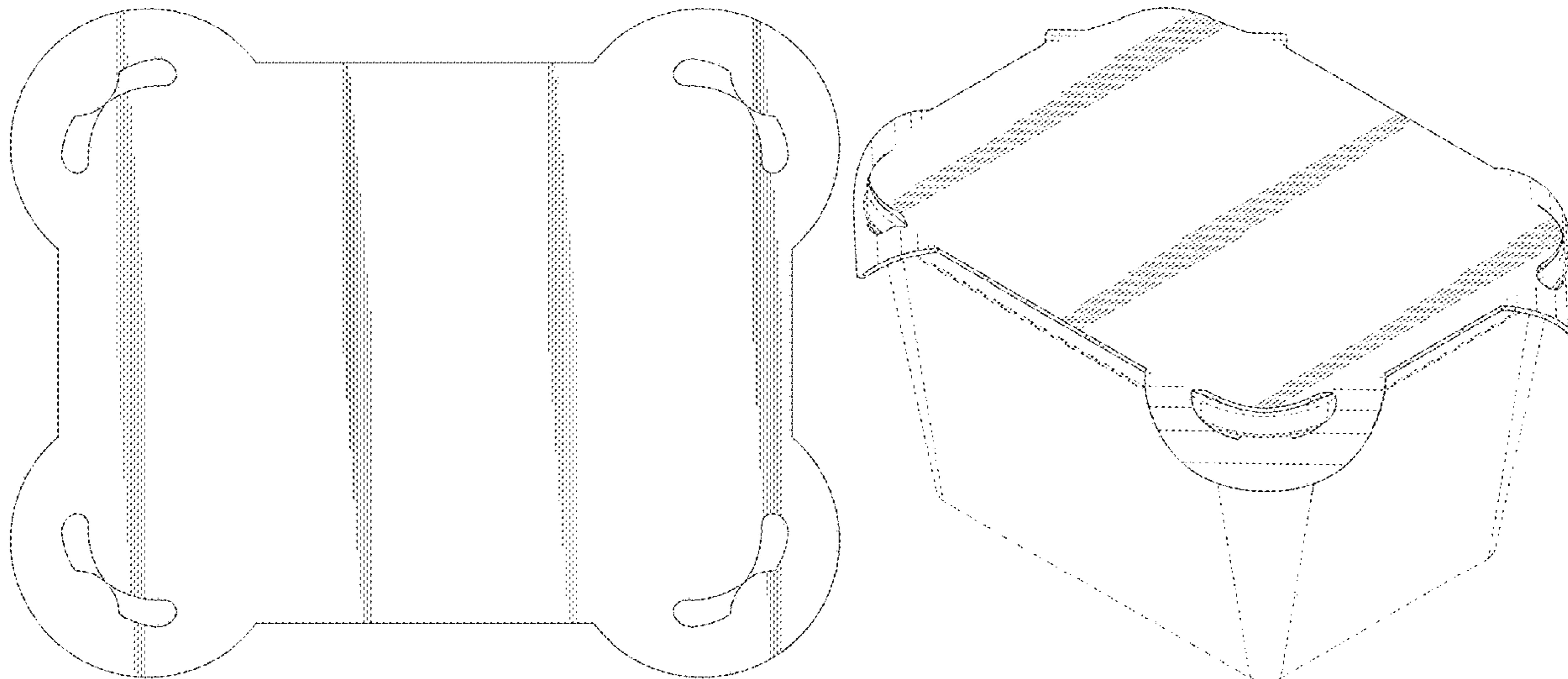
U.S. PATENT DOCUMENTS

D283,798 S *	5/1986	Griffin	D9/435
D343,795 S *	2/1994	Verchere	D9/425
D448,169 S *	9/2001	Rine	D3/318
D452,374 S *	12/2001	Kim	D3/302
D469,319 S *	1/2003	Pettaweebuncha	D7/629
D469,665 S *	2/2003	Pettaweebuncha	D7/629
D481,910 S *	11/2003	Kim	D7/629
D500,227 S *	12/2004	Seok	D7/392.1
D503,108 S *	3/2005	Burr	D9/434
D503,338 S *	3/2005	Burr	D9/434
D549,519 S *	8/2007	Moon	D7/391
D569,722 S *	5/2008	Stamper	D9/416
D581,209 S *	11/2008	Brown	D7/392.1

DESCRIPTION

FIG. 1 is a top plan view of a bin lid;
FIG. 2 is a bottom plan view thereof;
FIG. 3 is a side elevational view thereof;
FIG. 4 is an end elevational view thereof;
FIG. 5 is an in use top perspective view thereof;
FIG. 6 is an in use bottom perspective view thereof; and,
FIG. 7 is another in use top perspective view thereof.
The use of broken lines in FIGS. 5, 6, and 7 indicates that the environmental structure of the bin depicted in broken lines forms no part of the claimed design.

1 Claim, 6 Drawing Sheets



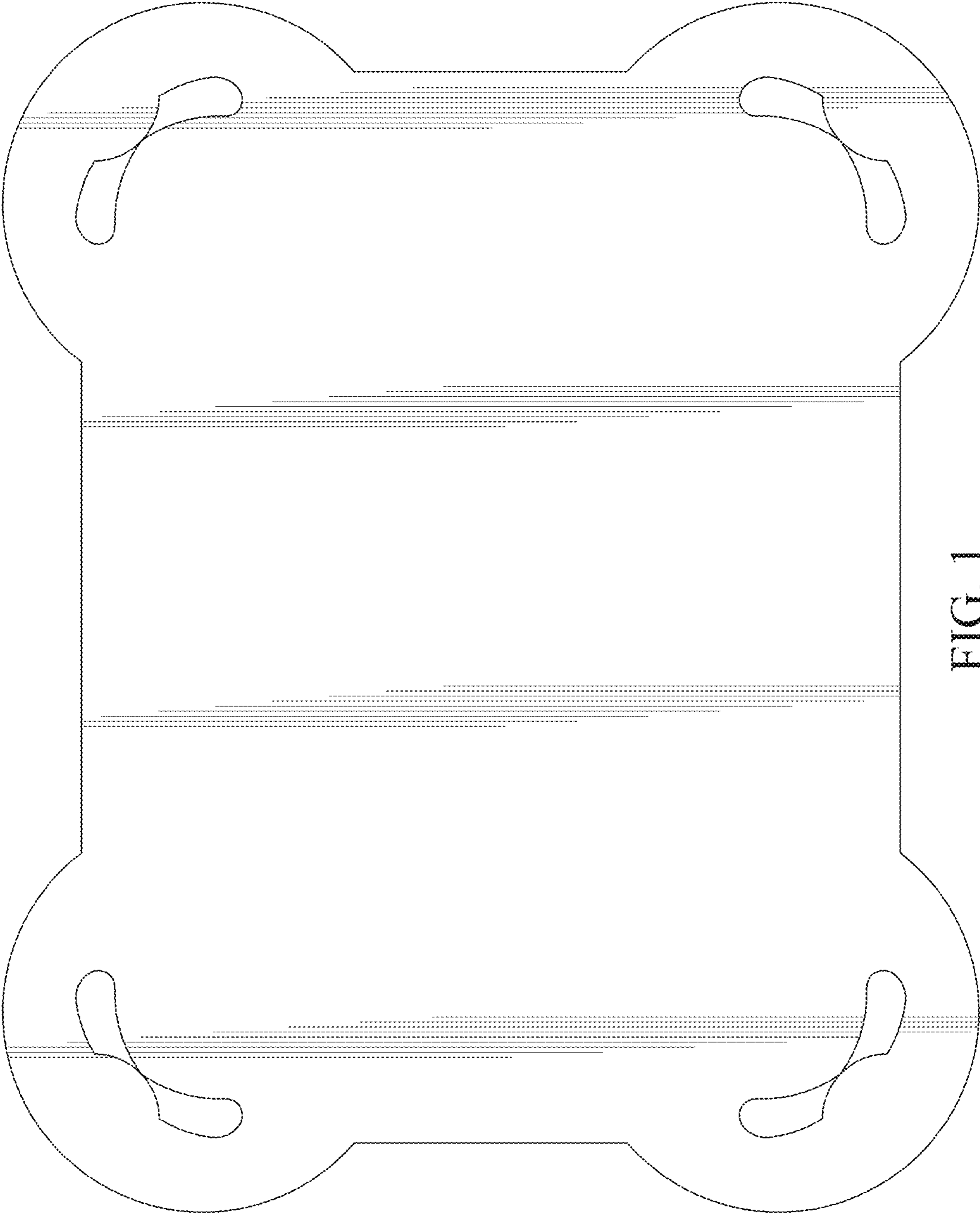


FIG. 1

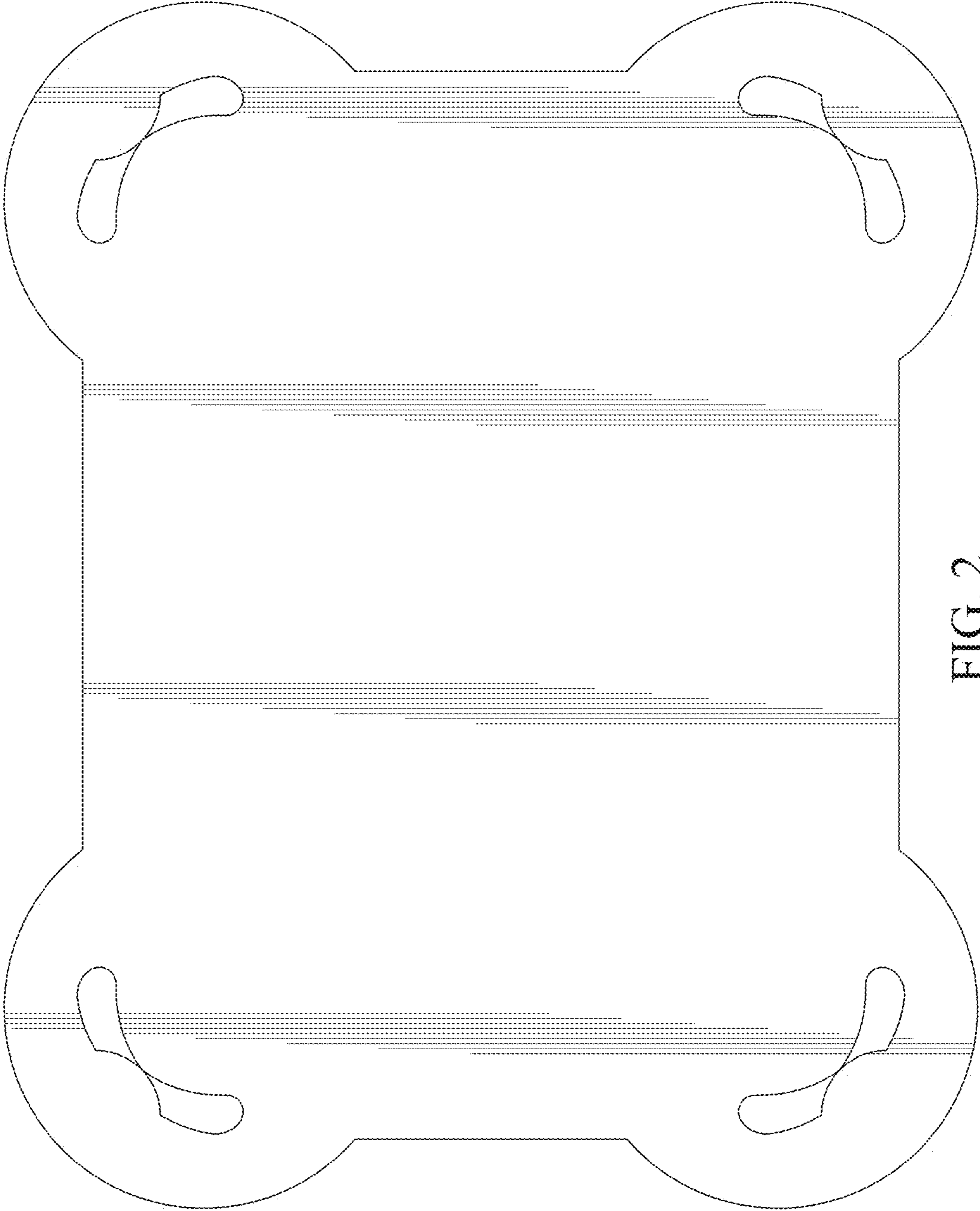


FIG. 2



FIG. 3



FIG. 4

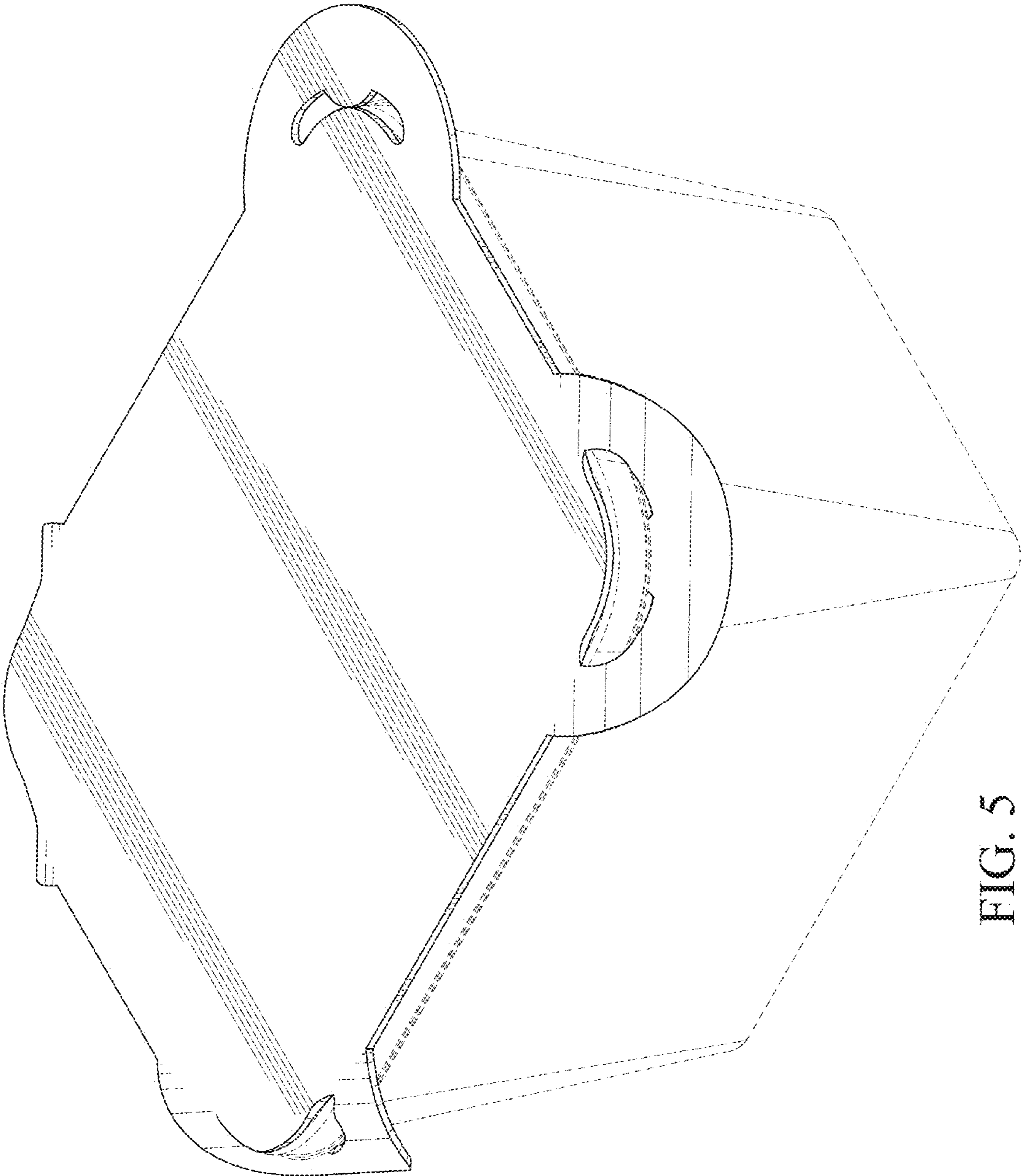


FIG. 5

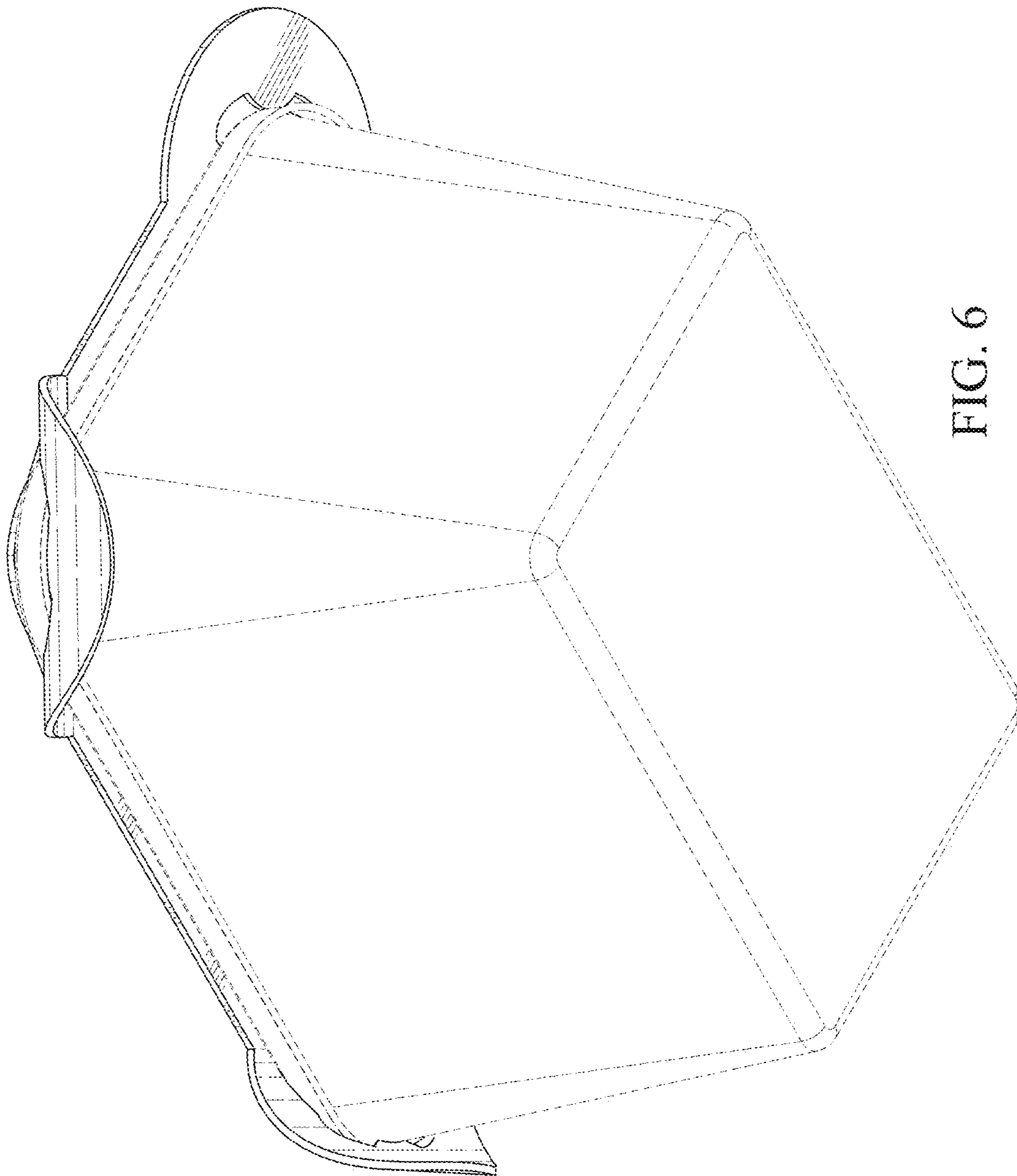


FIG. 6

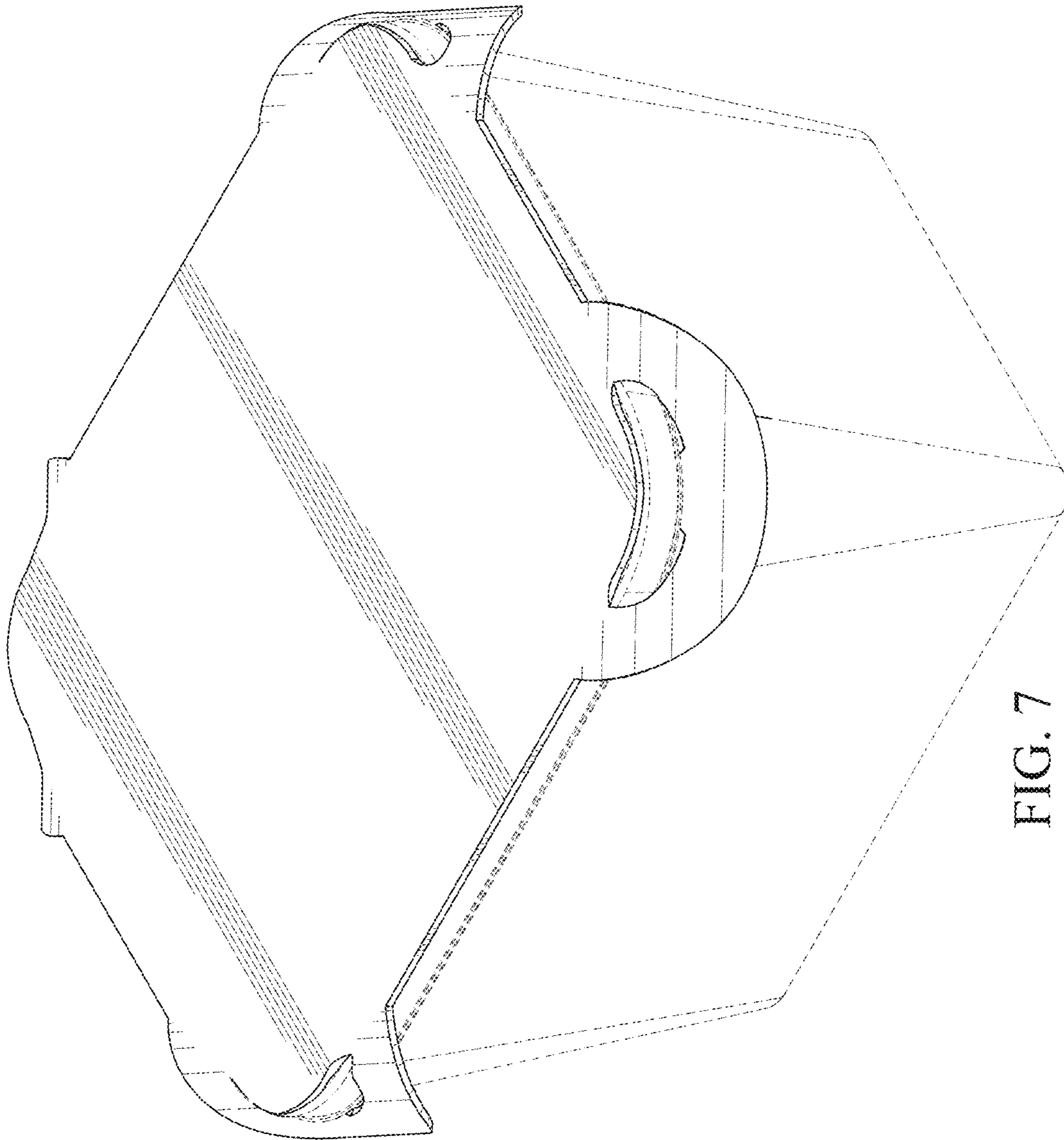


FIG. 7

UNITED STATES PATENT AND TRADEMARK OFFICE
CERTIFICATE OF CORRECTION

PATENT NO. : D944,528 S
APPLICATION NO. : 29/715687
DATED : March 1, 2022
INVENTOR(S) : Gartenburg et al.

Page 1 of 1

It is certified that error appears in the above-identified patent and that said Letters Patent is hereby corrected as shown below:

On the Title Page

Insert Item (30): Foreign Application Priority Data: --CA 187872 filed on June 5, 2019--

Signed and Sealed this
Fourteenth Day of June, 2022
Katherine Kelly Vidal

Katherine Kelly Vidal
Director of the United States Patent and Trademark Office