



US00D944526S

(12) **United States Design Patent**  
**Colin**

(10) **Patent No.:** **US D944,526 S**  
(45) **Date of Patent:** **\*\* Mar. 1, 2022**

(54) **CLASP FOR A BAG**

(71) Applicant: **CARTIER INTERNATIONAL AG,**  
Steinhausen (CH)

(72) Inventor: **Fabrice Colin,** Paris (FR)

(\*\*) Term: **15 Years**

(21) Appl. No.: **35/510,609**

(22) Filed: **Oct. 5, 2020**

(80) **Hague Agreement Data**

Int. Filing Date: **Oct. 5, 2020**

Int. Reg. No.: **DM/210739**

Int. Reg. Date: **Oct. 5, 2020**

Int. Reg. Pub. Date: **Oct. 23, 2020**

(51) **LOC (13) Cl.** ..... **03-01**

(52) **U.S. Cl.**  
USPC ..... **D3/318**

(58) **Field of Classification Search**

USPC ..... D3/201, 217, 232–233, 240–243,  
D3/245–247, 249–253, 318, 321, 322

CPC ..... A45C 1/024; A45C 3/06  
See application file for complete search history.

(56) **References Cited**

**U.S. PATENT DOCUMENTS**

D244,080 S \* 4/1977 Perrin ..... D8/338  
D674,193 S \* 1/2013 Saavedra ..... D3/322

D675,022 S \* 1/2013 Saavedra ..... D3/322  
D696,017 S \* 12/2013 Lagerfeld ..... D3/318  
D789,692 S \* 6/2017 Nair ..... D3/318  
D802,929 S \* 11/2017 Morszeck ..... D3/318  
D844,994 S \* 4/2019 Pacha ..... D3/327  
D884,348 S \* 5/2020 Zhou ..... D3/318  
D890,524 S \* 7/2020 Pacha ..... D3/318

\* cited by examiner

*Primary Examiner* — Holly E Thurman

(57) **CLAIM**

The ornamental design for a clasp for a bag, as shown and described.

**DESCRIPTION**

1. Clasp for a bag

1.1 : Perspective

1.2 : Front

1.3 : Right

1.4 : Left

1.5 : Top

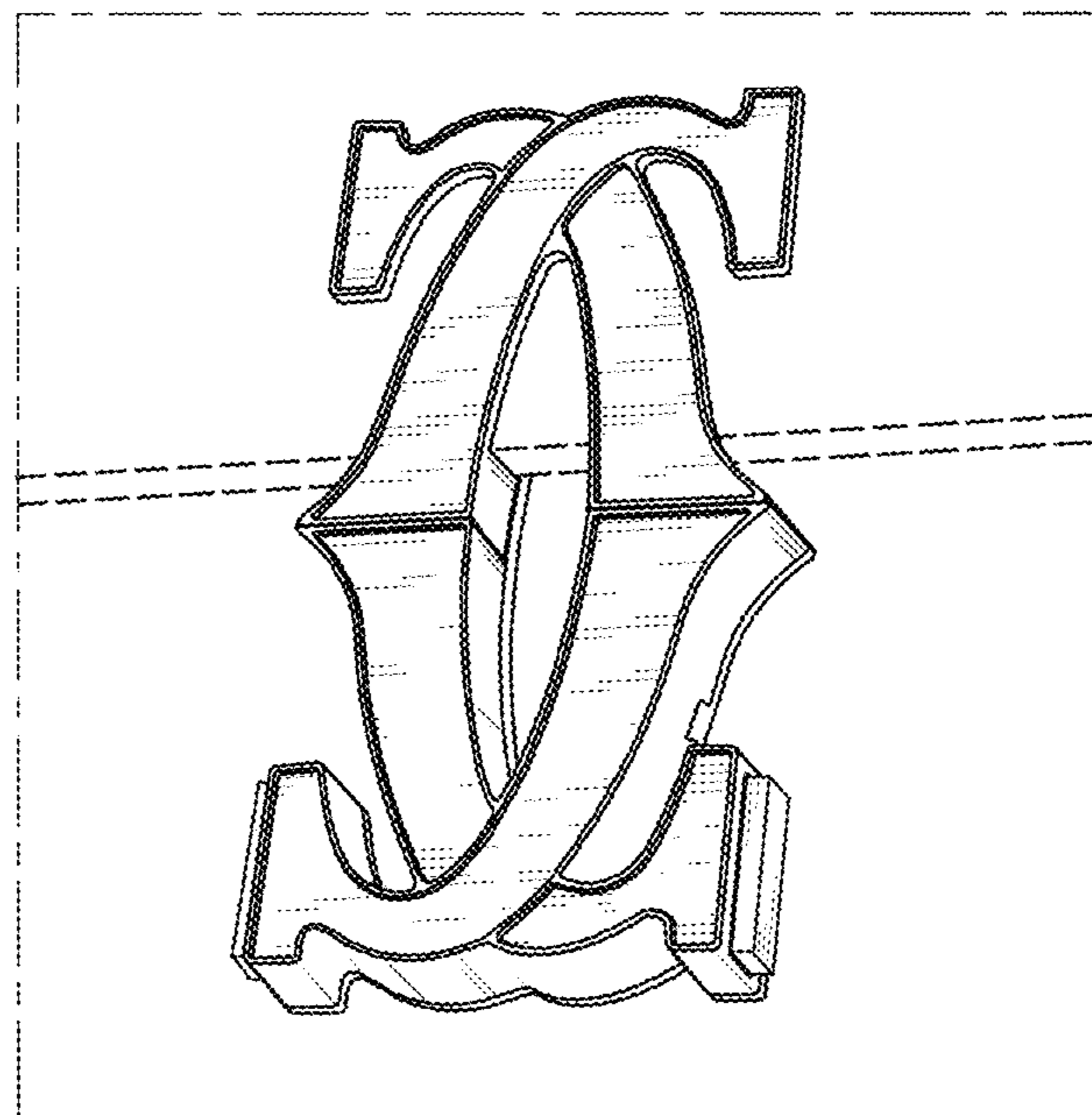
1.6 : Bottom

1.7 : Another Perspective, shown in an open condition of use.

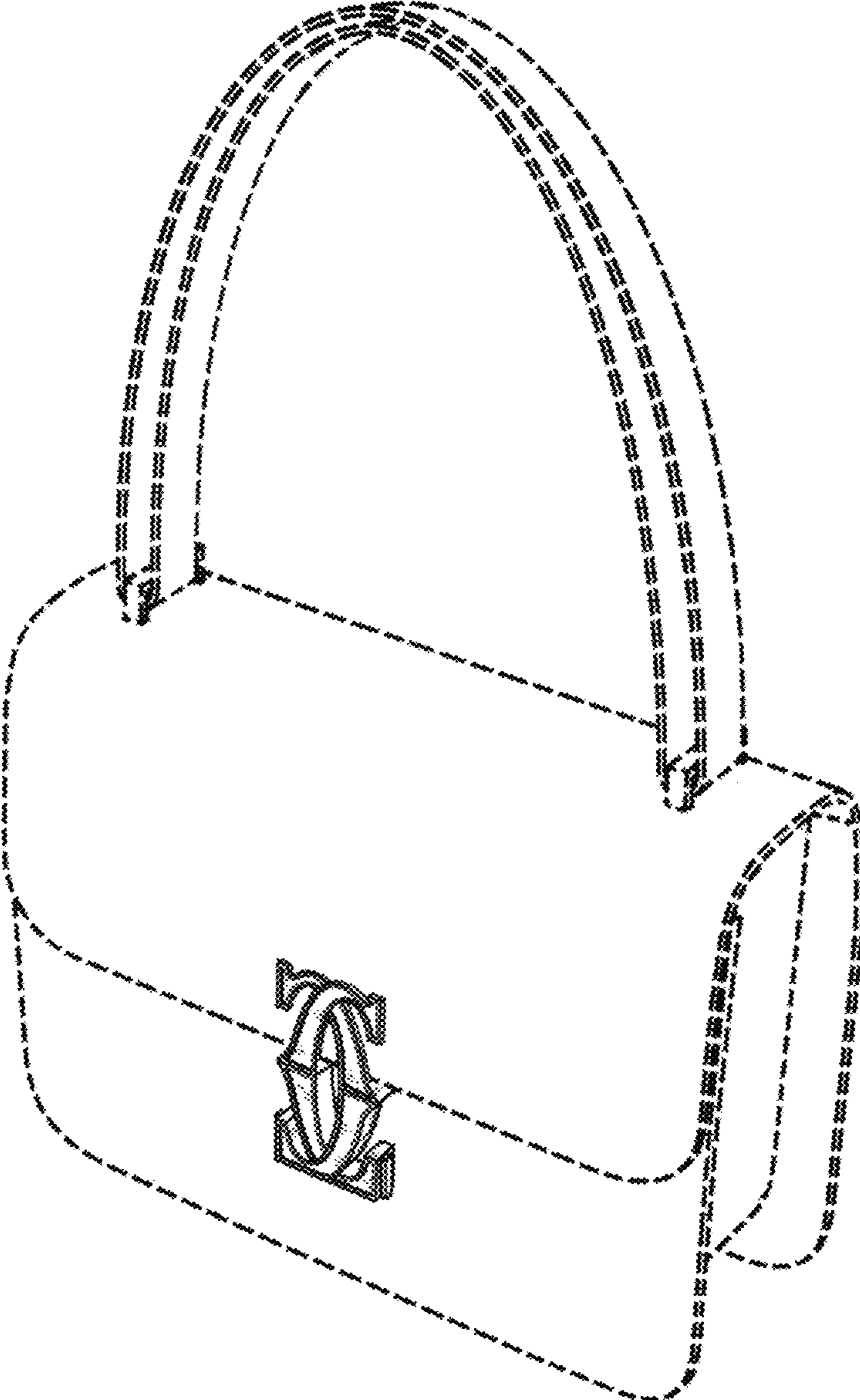
1.8 : Another Perspective, shown enlarged with the clasp in a closed condition of use.

The dashed broken lines in the Figures depict portions of the clasp for a bag that form no part of the claimed design. The dot-dash broken lines in Figure 1.8 depicts the bounds of the enlarged view and form no part of the claimed design.

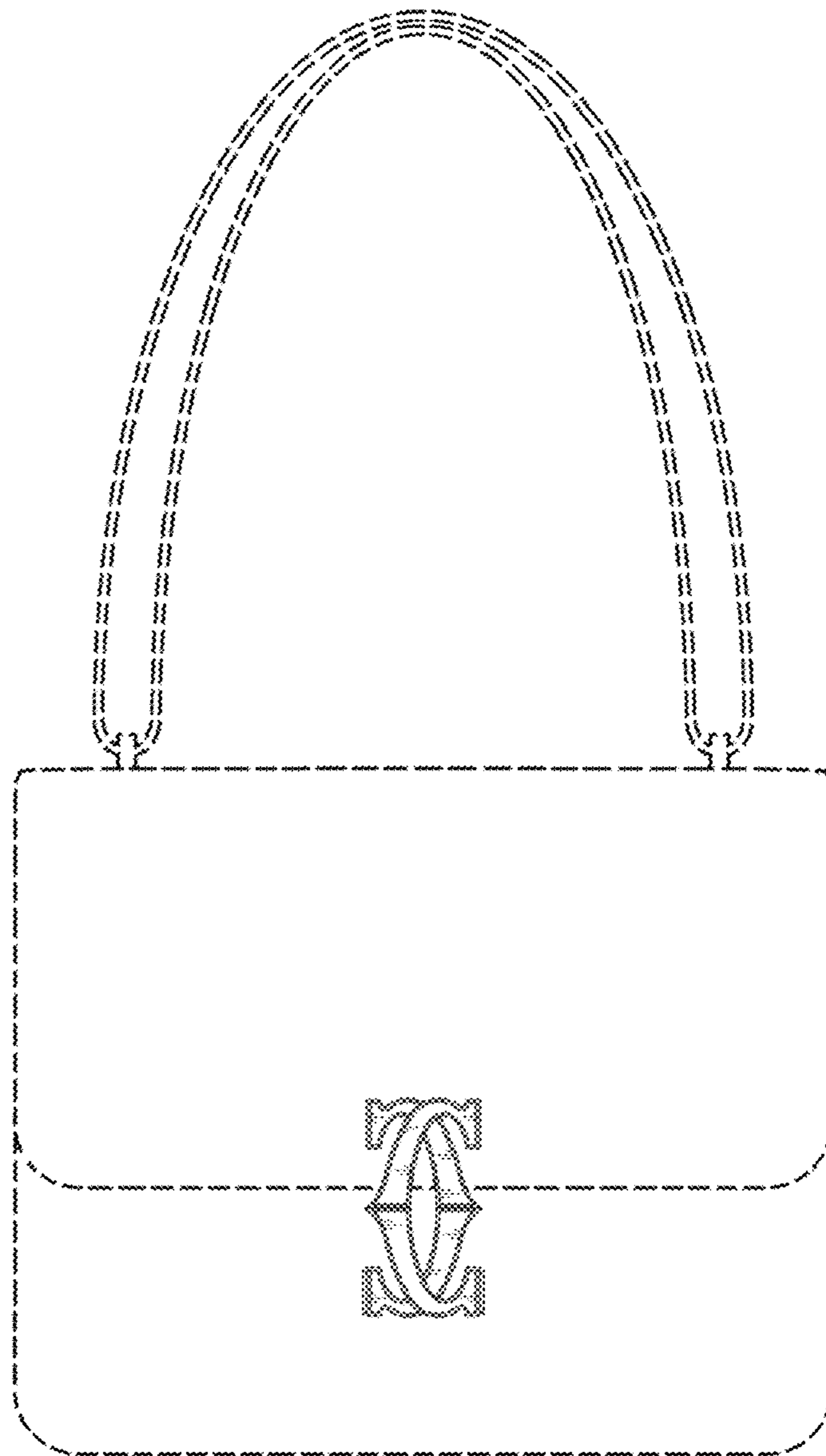
**1 Claim, 8 Drawing Sheets**



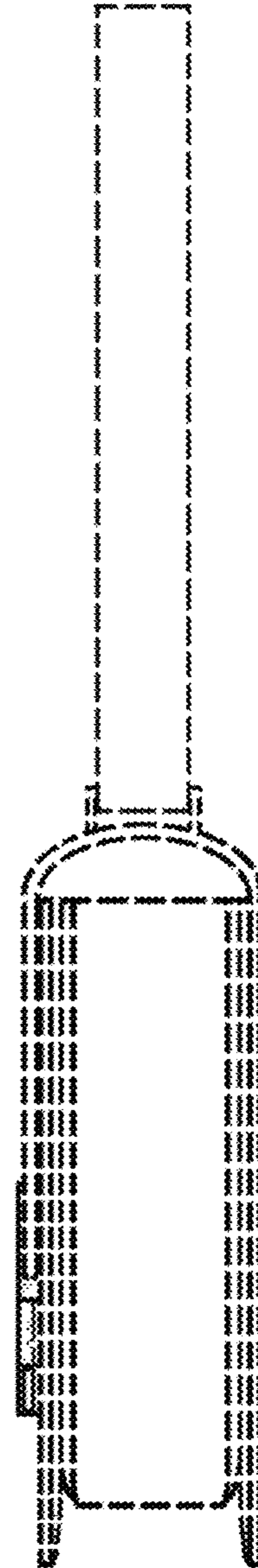
1.1



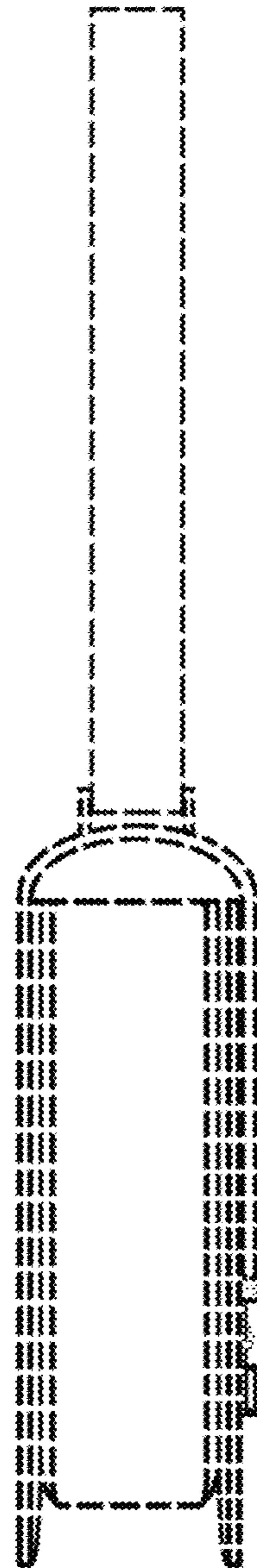
1.2



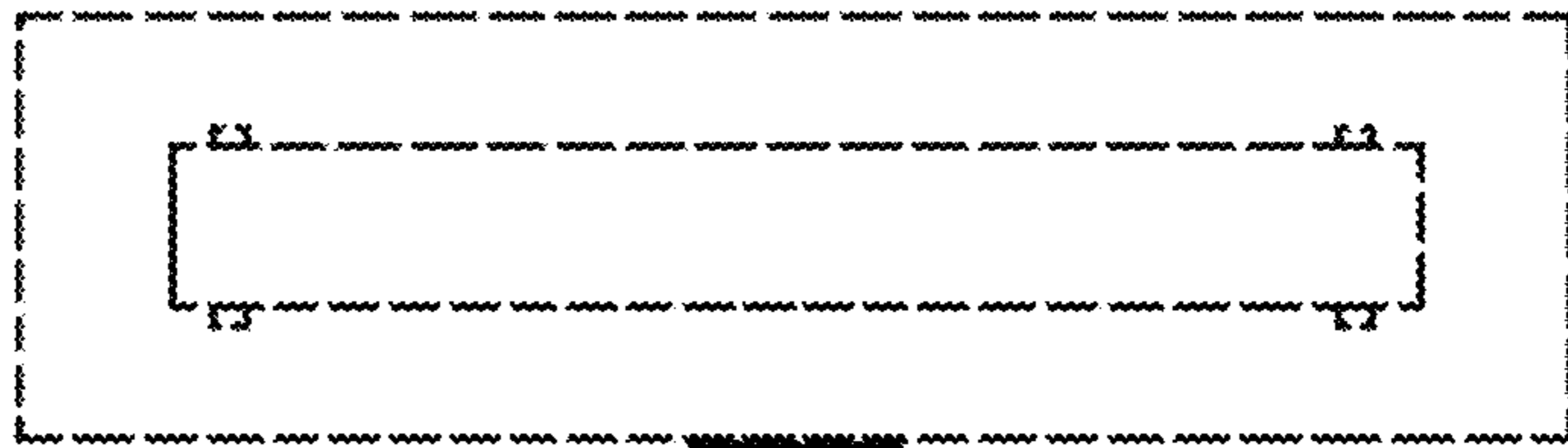
1.3



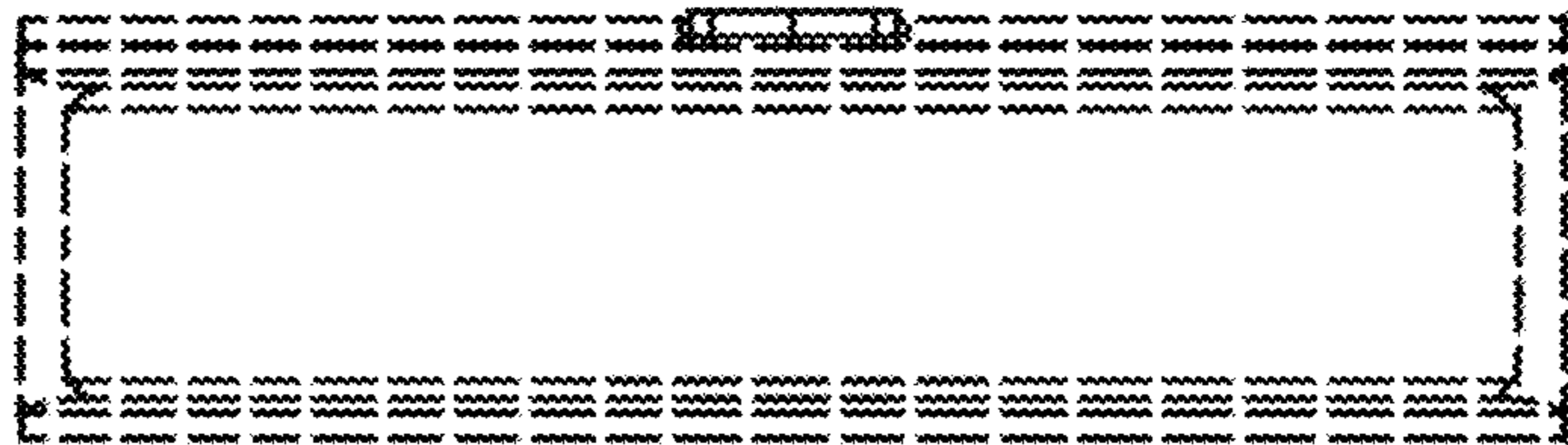
1.4



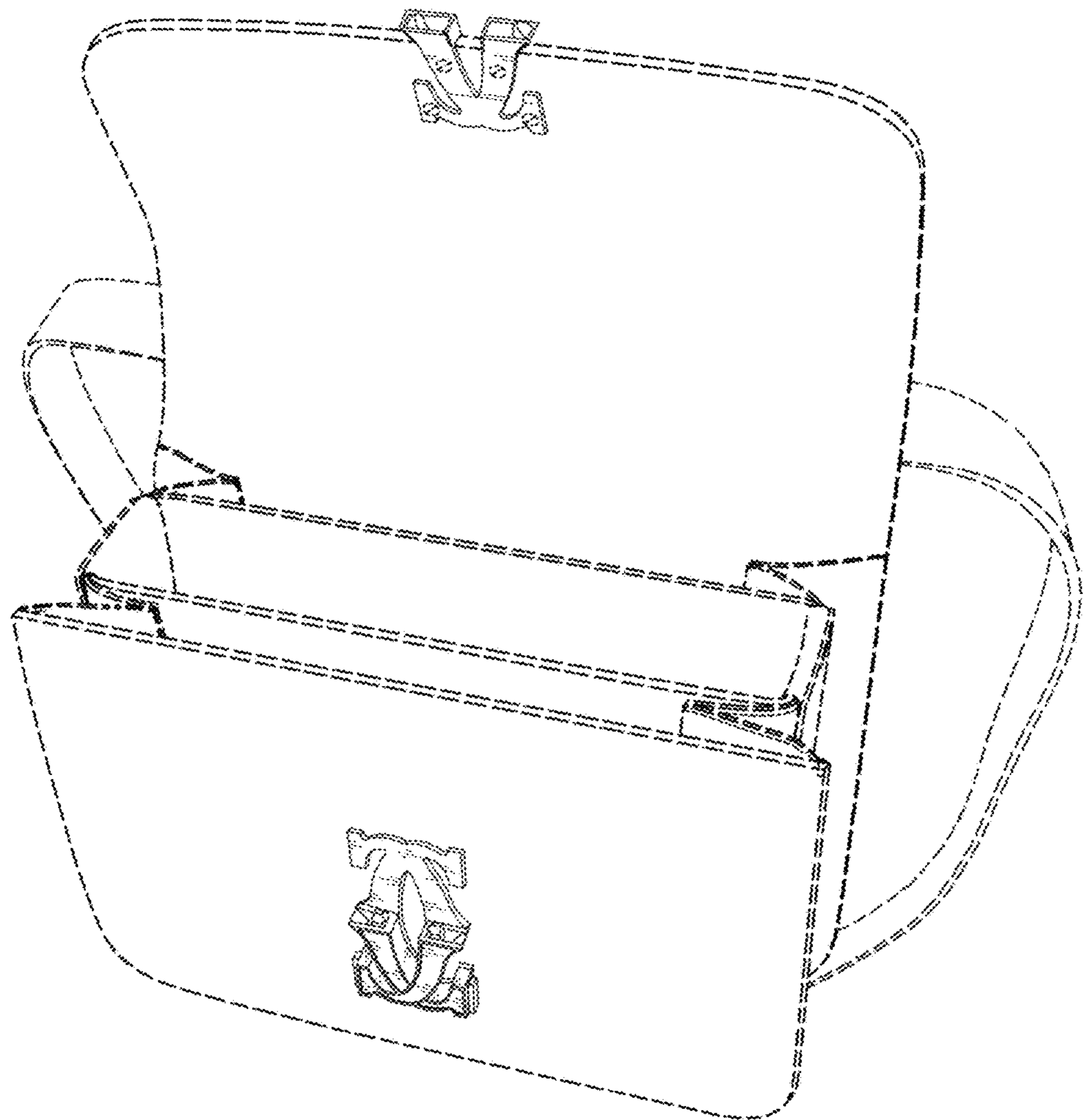
1.5



1.6



1.7





1.8

