



US00D944524S

(12) **United States Design Patent**
Laffon de Mazieres et al.

(10) **Patent No.:** **US D944,524 S**
(45) **Date of Patent:** **** Mar. 1, 2022**

(54) **EARBUDS CASE**
(71) Applicant: **Amazon Technologies, Inc.**, Seattle, WA (US)
(72) Inventors: **Emmanuel Laffon de Mazieres**, Burlingame, CA (US); **Marc Rene Walliser**, San Francisco, CA (US)
(73) Assignee: **Amazon Technologies, Inc.**, Seattle, WA (US)

D864,110 S * 10/2019 Yoshimura D13/108
D870,451 S * 12/2019 Birger D3/201
D878,048 S * 3/2020 Wang D3/294
D882,262 S * 4/2020 Zhang D3/294
D886,455 S * 6/2020 Williamson D3/294
D887,351 S * 6/2020 Bonahoom D13/108
D890,725 S * 7/2020 Liu D14/223
D891,434 S * 7/2020 Lee D14/440
D894,123 S * 8/2020 Xiong D13/108
D897,997 S * 10/2020 Zhang D14/223
D902,589 S * 11/2020 Li D3/295
2011/0186579 A1* 8/2011 Bailey B65D 43/0212
220/495.01

(**) Term: **15 Years**

OTHER PUBLICATIONS

(21) Appl. No.: **29/671,581**
(22) Filed: **Nov. 28, 2018**
(51) **LOC (13) Cl.** **03-01**
(52) **U.S. Cl.**
USPC **D3/294; D13/108**
(58) **Field of Classification Search**
USPC D14/203.3, 203.6, 205, 206, 212, 217,
D14/221, 223, 225, 250–253, 440,
D14/507–509; D3/201, 218, 294, 295;
D24/174; D13/208
CPC H04R 1/1008; H04R 1/1016
See application file for complete search history.

Amazon Echo Buds hands-on: Alexa, turn on active noise reduction, publication date Sep. 25, 2019, [online][site visited Mar. 31, 2021] URL: <https://www.slashgear.com/amazon-echo-buds-hands-on-alexa-turn-on-active-noise-reduction-25592952/> (Year: 2019).*

(Continued)

Primary Examiner — L. A. Grabenstetter
(74) *Attorney, Agent, or Firm* — Lee & Hayes, P.C.

(56) **References Cited**

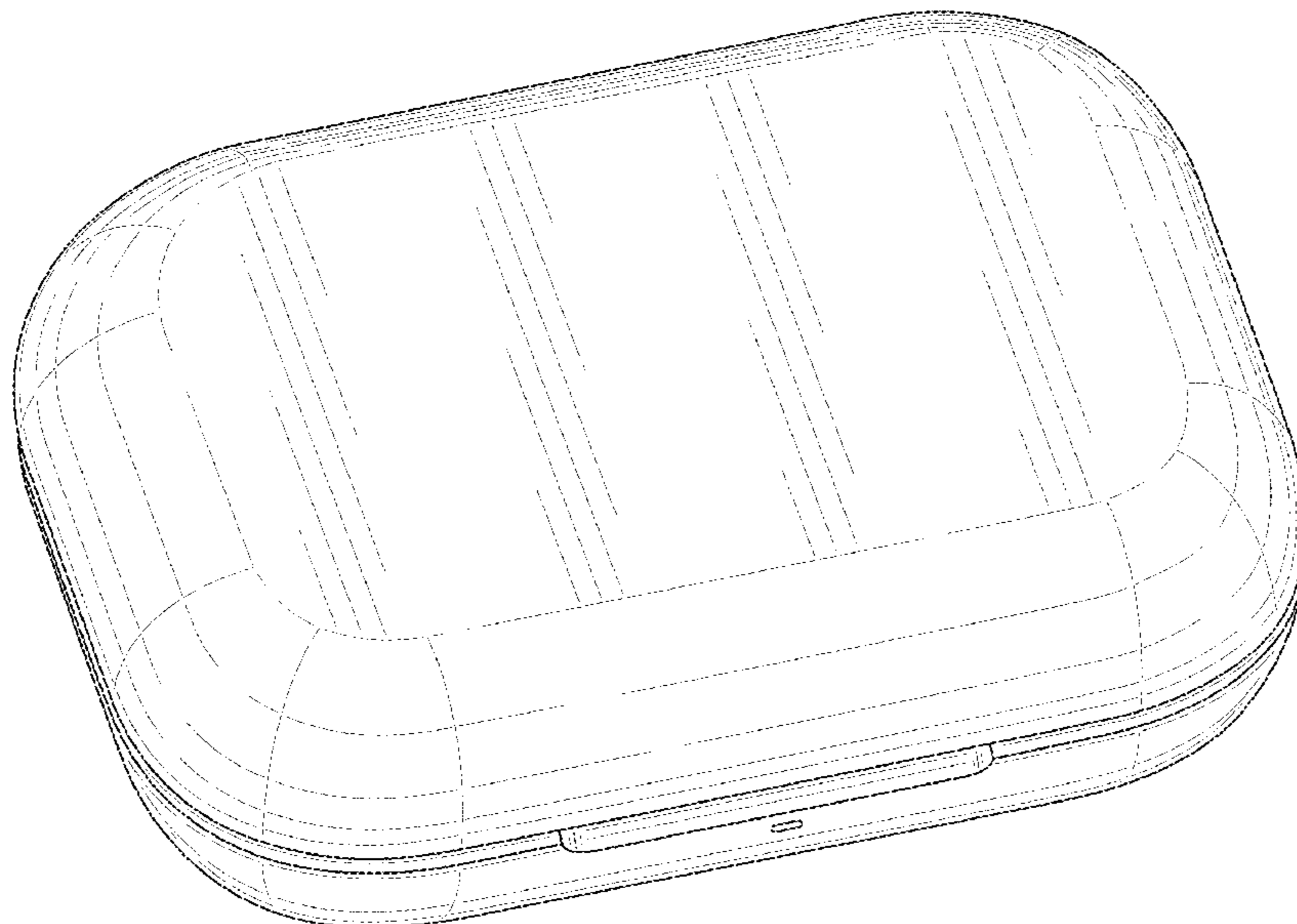
DESCRIPTION

U.S. PATENT DOCUMENTS

D49,217 S * 6/1916 King D3/265
D259,596 S * 6/1981 Gray D3/205
D262,151 S * 12/1981 Sussman D28/83
D548,970 S * 8/2007 Huang D3/294
D553,077 S * 10/2007 Kim D13/108
D586,557 S * 2/2009 Jalet D3/294
D740,223 S * 10/2015 Yoneta D13/108
D772,572 S * 11/2016 Palmborg D3/294
D806,648 S * 1/2018 Beedham D13/107
D839,583 S * 2/2019 Cao D3/201
D841,580 S * 2/2019 Bao D13/108

FIG. 1 is a top perspective view of an earbuds case;
FIG. 2 is a front view thereof;
FIG. 3 is a back view thereof;
FIG. 4 is a left-side view thereof;
FIG. 5 is a right-side view thereof;
FIG. 6 is a top view thereof; and,
FIG. 7 is a bottom view thereof.
The dashed broken lines depict portions of the earbuds case that form no part of the claimed design.

1 Claim, 7 Drawing Sheets



(56)

References Cited

OTHER PUBLICATIONS

Amazon Echo Buds hands-on, publication date Sep. 25, 2019, [online] URL: <https://www.slashgear.com/amazon-echo-buds-hands-on-alexa-turn-on-active-noise-reduction-25592952/> (Year: 2019).*

TOZO T10 Bluetooth 5.0 Wireless Earbuds with Wireless Charging Case, upload date Oct. 5, 2018, [online] URL: <https://www.amazon.com/TOZO-Bluetooth-Wireless-Headphones-Waterproof/dp/B07J2Z5DBM/> (Year: 2018).*

How to pair True Wireless Earbuds, Tiamat best TWS brand, upload date Apr. 19, 2018, [online] URL: <https://www.youtube.com/watch?v=olWEv6QQXrw> (Year: 2018).*

Monoprice True Wireless Earphones and wireless charging case, upload date Nov. 14, 2018, [online] URL: https://www.monoprice.com/product?p_id=30878 (Year: 2018).*

The Indian Office Action dated Jun. 25, 2019 for Indian Patent Application No. 317751-001, a counter part of U.S. Appl. No. 29/671,581, 2 pages.

The Korean Office Action dated Dec. 2, 2019 for Korean Design Application No. 30-2019-24093, a counter part of Design U.S. Appl. No. 29/671,581, 4 pages.

The Canadian Office Action dated Apr. 20, 2020 for Canadian Patent Application No. 187446, a counterpart of U.S. Appl. No. 29/671,581, 2 pages.

* cited by examiner

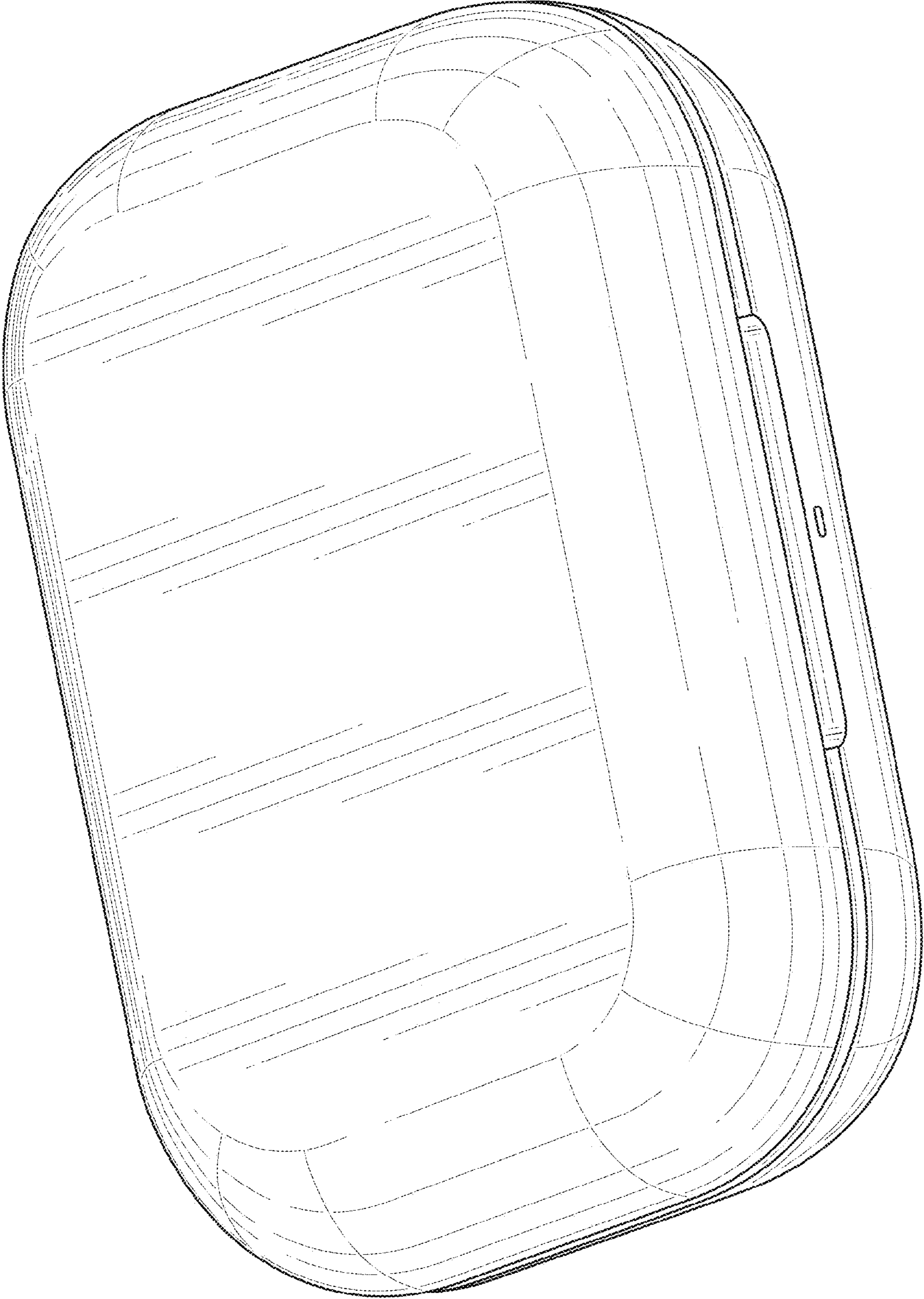


FIG. 1

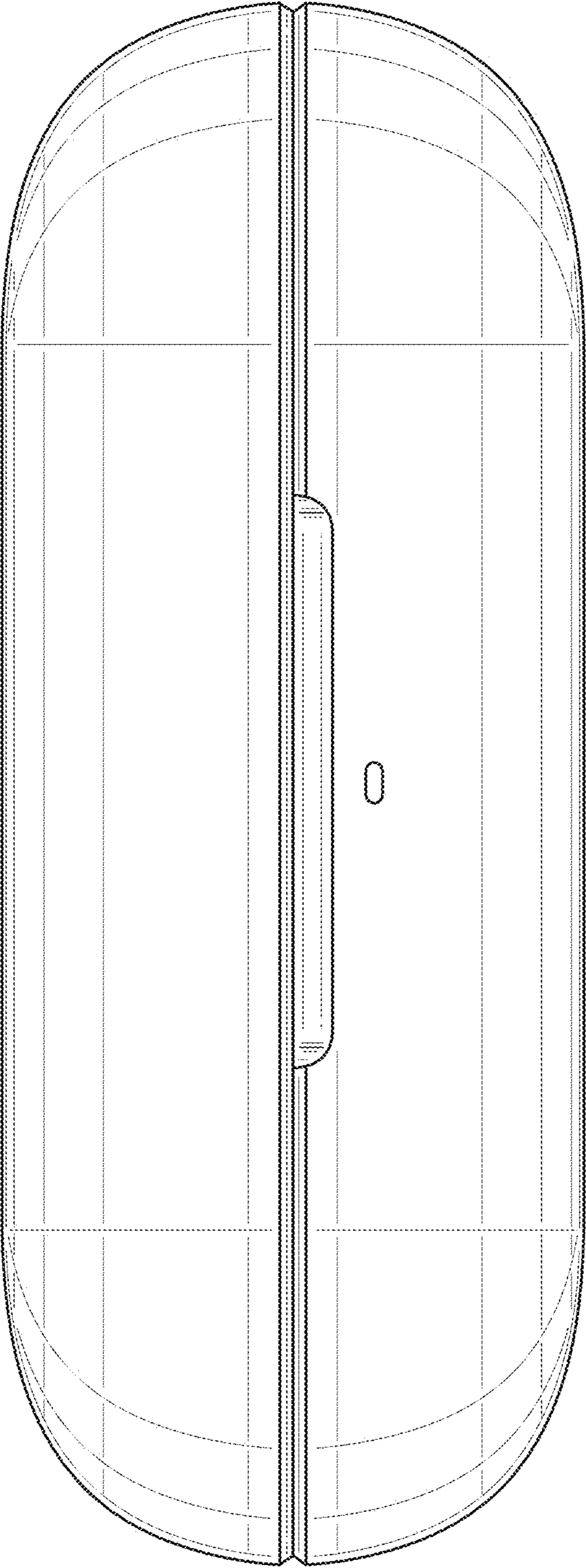


FIG. 2

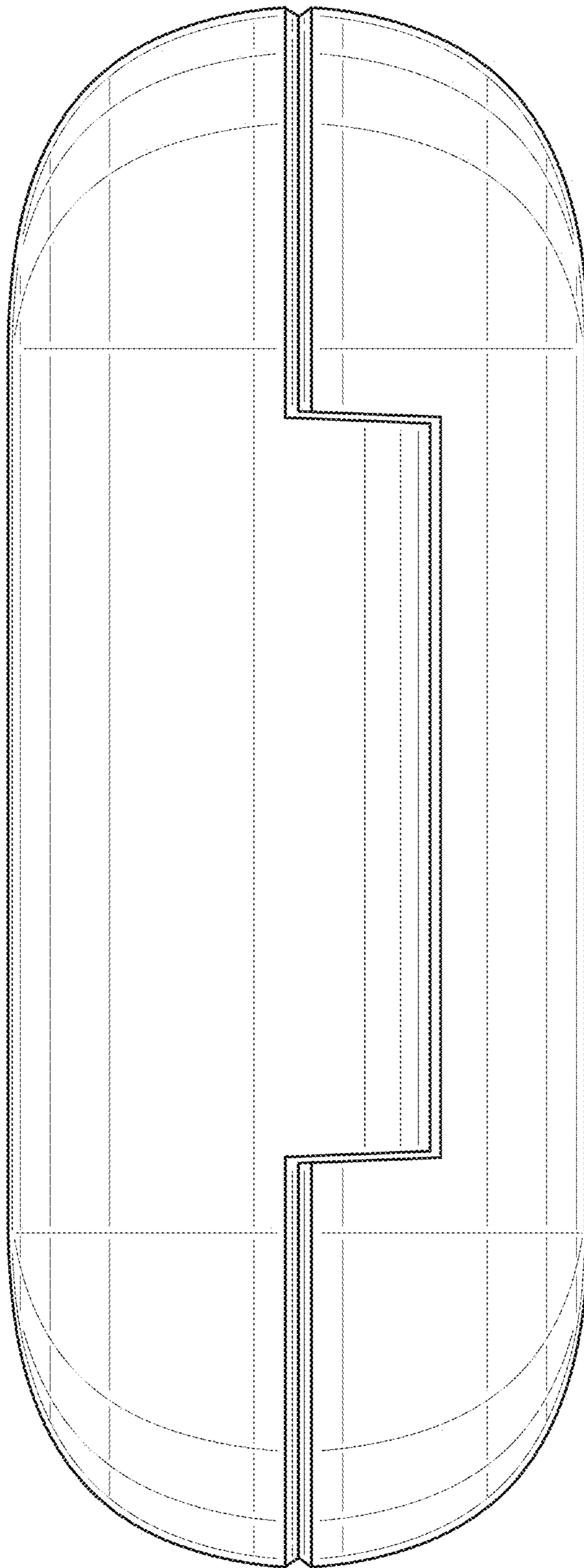


FIG. 3

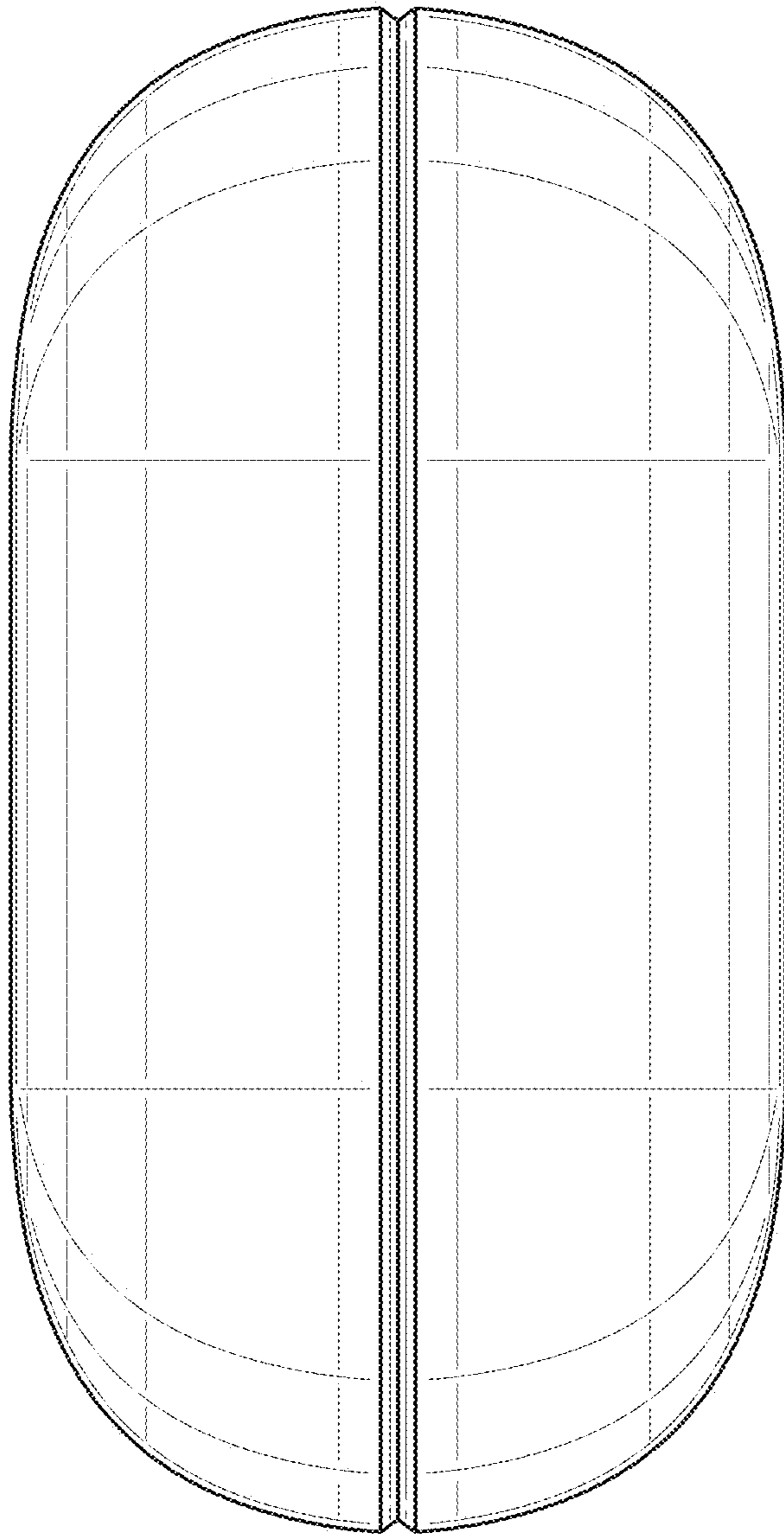


FIG. 4

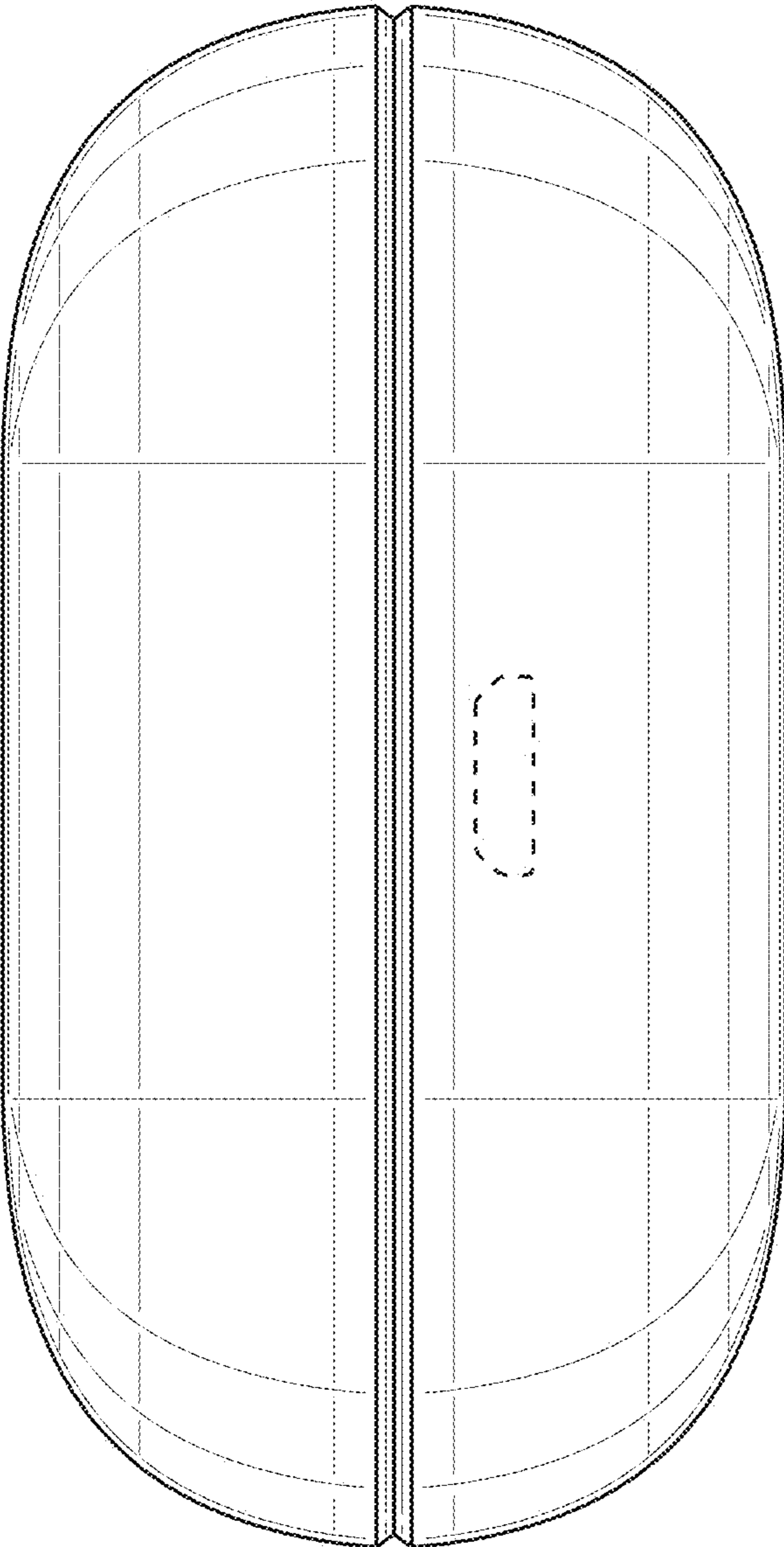


FIG. 5

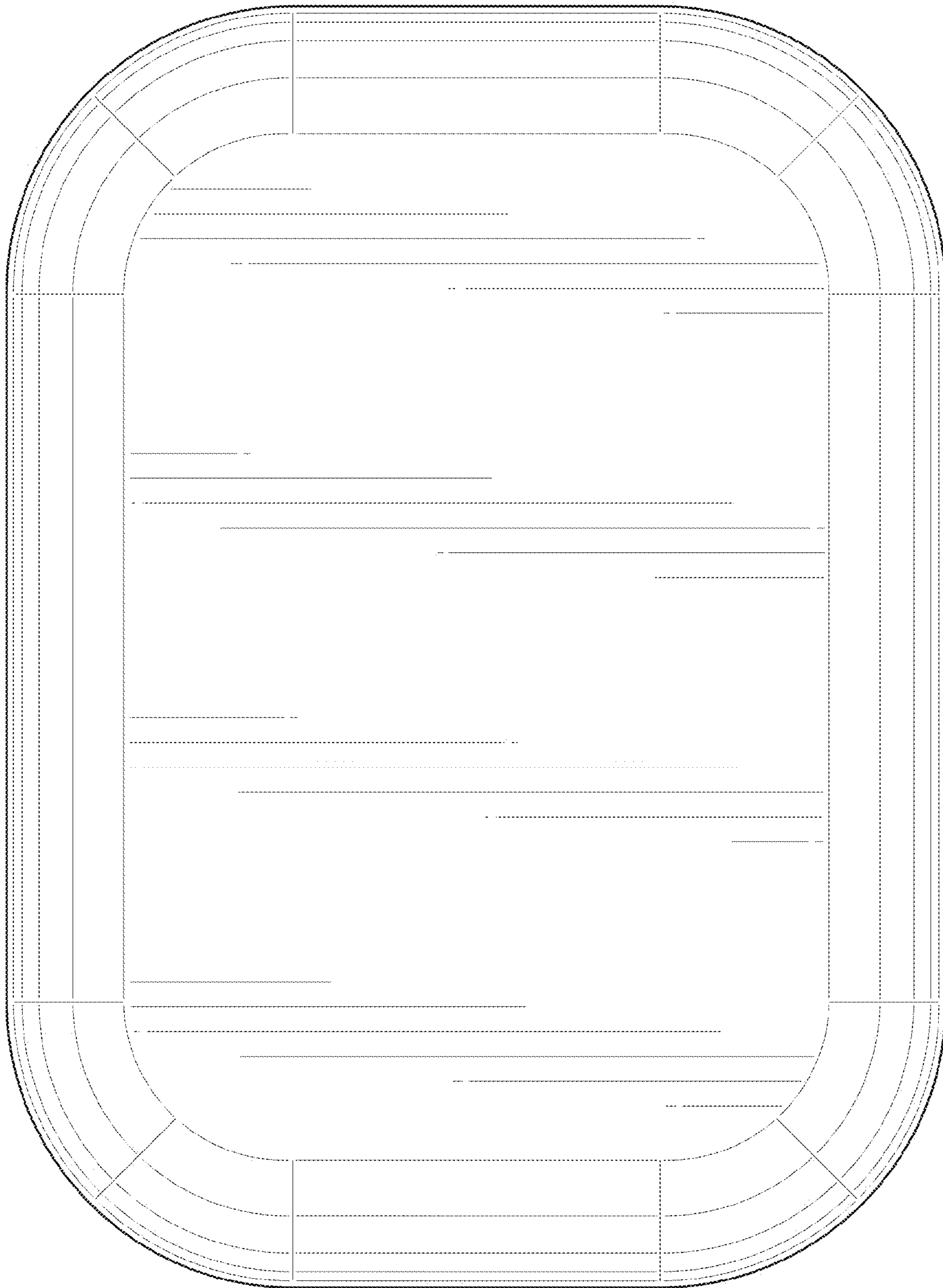


FIG. 6

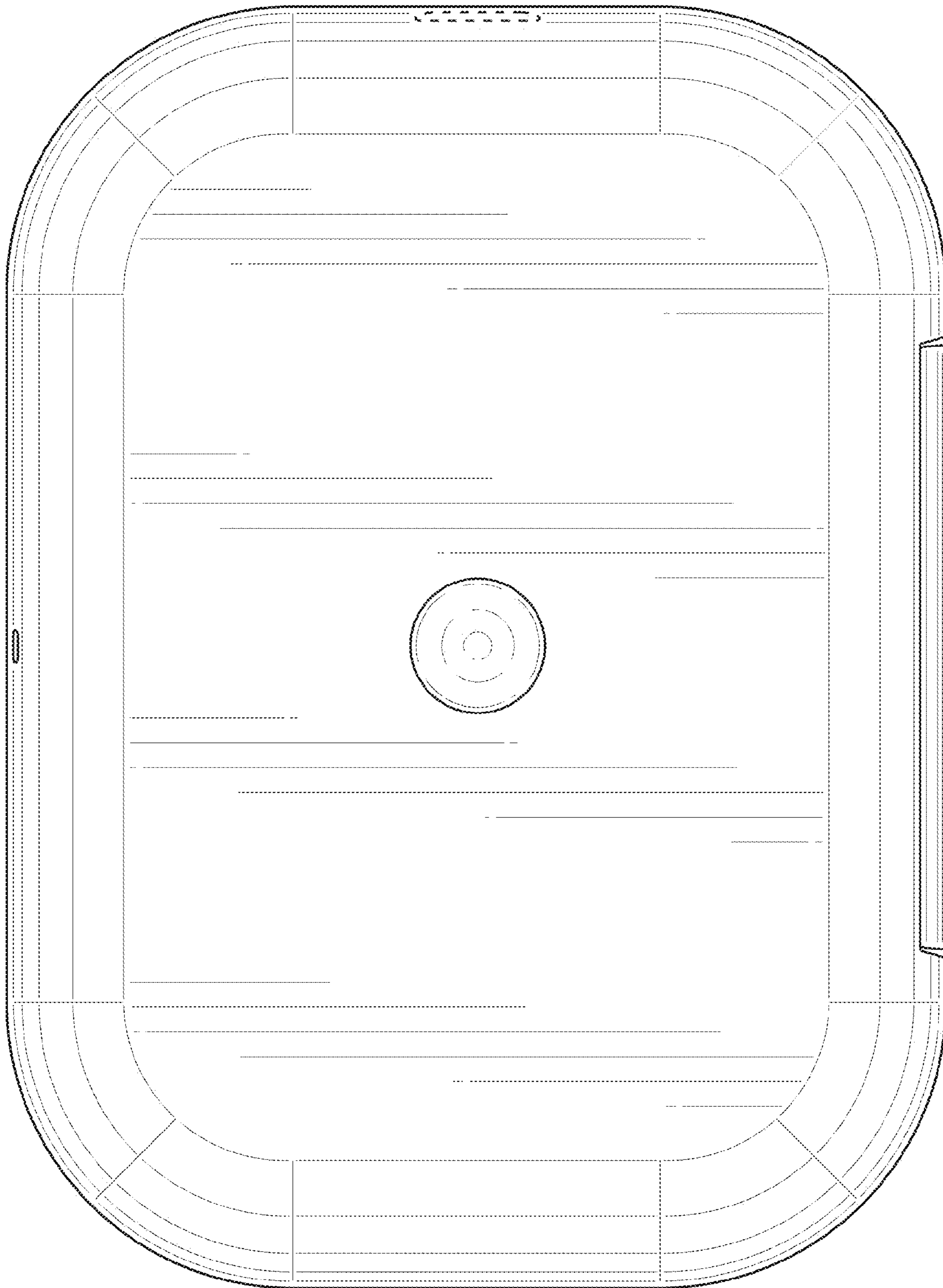


FIG. 7