



US00D944523S

(12) **United States Design Patent** (10) **Patent No.:** **US D944,523 S**  
**Ji** (45) **Date of Patent:** **\*\* Mar. 1, 2022**

(54) **COSMETICS CASE**  
(71) Applicant: **KONCAI Aluminum Cases Ltd.**,  
Shenzhen (CN)  
(72) Inventor: **Dominic Ji**, Shenzhen (CN)  
(\*\*) Term: **15 Years**

D644,435 S \* 9/2011 Weng ..... D3/279  
D703,435 S \* 4/2014 Wile ..... D3/279  
D710,101 S \* 8/2014 Wu ..... D3/279  
D710,609 S \* 8/2014 Sijmons ..... D3/279  
D712,143 S \* 9/2014 Chehebar ..... D3/289  
D714,055 S \* 9/2014 Junkins ..... D3/279  
D837,514 S \* 1/2019 Moon ..... D3/279

(Continued)

(21) Appl. No.: **29/729,839**

(22) Filed: **Mar. 31, 2020**

(51) **LOC (13) Cl.** ..... **03-01**

(52) **U.S. Cl.**  
USPC ..... **D3/279; D3/901**

(58) **Field of Classification Search**  
USPC ..... D3/203.1–203.2, 203.5–203.6, 206, 254,  
D3/263, 267–268, 272–273, 276, 279,  
D3/281–290, 294, 299, 301, 303,  
D3/318–319, 321, 327, 901–902  
CPC .. A45C 1/024; A45C 3/00; A45C 3/02; A45C  
2003/007; A45C 2003/008; A45C 5/00;  
A45C 5/02; A45C 5/03; A45C 5/04;  
A45C 5/06; A45C 5/14; A45C 5/005;  
A45C 2005/032; A45C 2005/035; A45C  
2005/037; A45C 2005/142; A45C  
2005/148; A45C 7/00; A45C 7/0018;  
A45C 7/0036; A45C 2011/003; A45C  
13/02; A45C 13/28; A45C 13/36; A45C  
13/385

See application file for complete search history.

(56) **References Cited**

**U.S. PATENT DOCUMENTS**

D287,429 S \* 12/1986 Esslinger ..... D3/292  
D454,430 S \* 3/2002 Sijmons ..... D3/279  
D540,540 S \* 4/2007 Szyf ..... D3/279  
D563,101 S \* 3/2008 Kuchler ..... D3/279  
D581,666 S \* 12/2008 Sijmons ..... D3/279  
D582,160 S \* 12/2008 Sijmons ..... D3/279  
D602,252 S \* 10/2009 Ehret ..... D3/279  
D611,252 S \* 3/2010 Fiscus ..... D3/294

**FOREIGN PATENT DOCUMENTS**

CN 303362455 \* 9/2015  
CN 306606957 \* 6/2021

(Continued)

**OTHER PUBLICATIONS**

Suitcase Makeup Professional . . . , unknown first available date,  
made-in-china.com [online], [site visited Oct. 29, 2021], Available  
at URL: <https://makeupcase-koncai.en.made-in-china.com/product/qZetlrAXDWV/China-Suitcase-Makeup-Professional-LED-Makeup-Cosmetic-Aluminum-Trolley-Case.html> (Year: 2021).\*

(Continued)

*Primary Examiner* — Jeffrey D Asch  
*Assistant Examiner* — Caitlin A Lavery

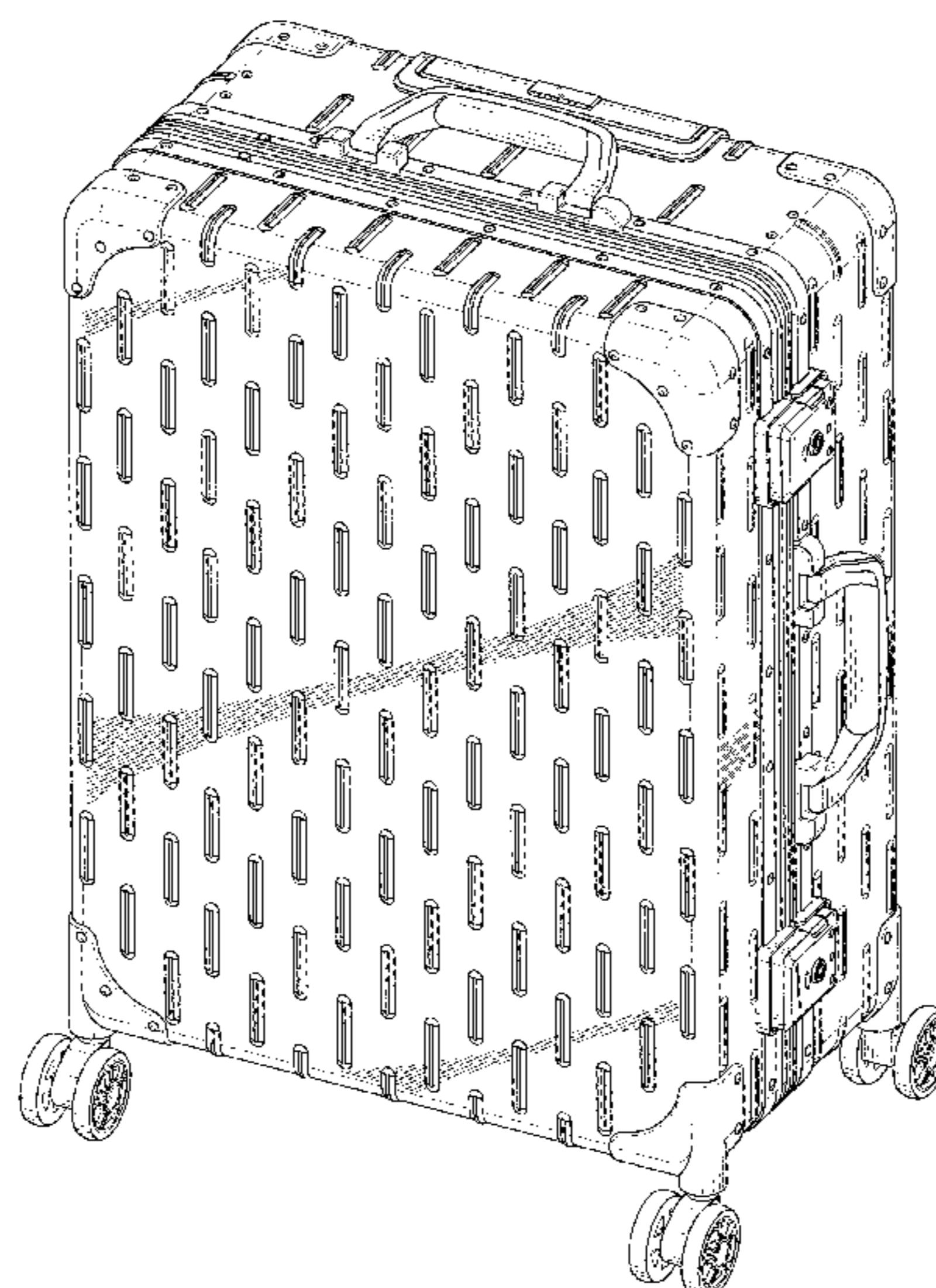
(57) **CLAIM**

The ornamental design for a cosmetics case, as shown and described.

**DESCRIPTION**

FIG. 1 is a perspective view of a cosmetics case showing my new design;  
FIG. 2 is another perspective view thereof;  
FIG. 3 is a front view thereof;  
FIG. 4 is a rear view thereof;  
FIG. 5 is a left side view thereof;  
FIG. 6 is a right side view thereof;  
FIG. 7 is a top plan view thereof; and,  
FIG. 8 is a bottom plan, view thereof.

**1 Claim, 8 Drawing Sheets**



(56)

**References Cited**

U.S. PATENT DOCUMENTS

D902,585 S \* 11/2020 Chen ..... D3/279  
D915,122 S \* 4/2021 Veatch, III ..... A47J 37/0763  
D7/337  
2011/0284334 A1\* 11/2011 Cheng ..... A45C 13/002  
190/18 A

FOREIGN PATENT DOCUMENTS

EM 007792791-0001 \* 4/2020  
GB 9007792791-0001 \* 4/2020

OTHER PUBLICATIONS

Stagiant Rolling Makeup Train Case . . . , first available Aug. 1, 2020, amazon.in [online], [site visited Oct. 29, 2021], Available at URL: <https://www.amazon.in/Stagiant-Rolling-Cosmetic-Removable-Travelling/dp/B08F3DJBHL> (Year: 2020).\*

Dominox All Aluminum Carry On Luggage, unknown first available date, amazon.com [online], [site visited Oct. 29, 2021], Available at URL: [https://www.amazon.com/dp/B093GMHFTK/ref=twister\\_B093GM39D6?\\_encoding=UTF8&th=1](https://www.amazon.com/dp/B093GMHFTK/ref=twister_B093GM39D6?_encoding=UTF8&th=1) (Year: 2021).\*

\* cited by examiner

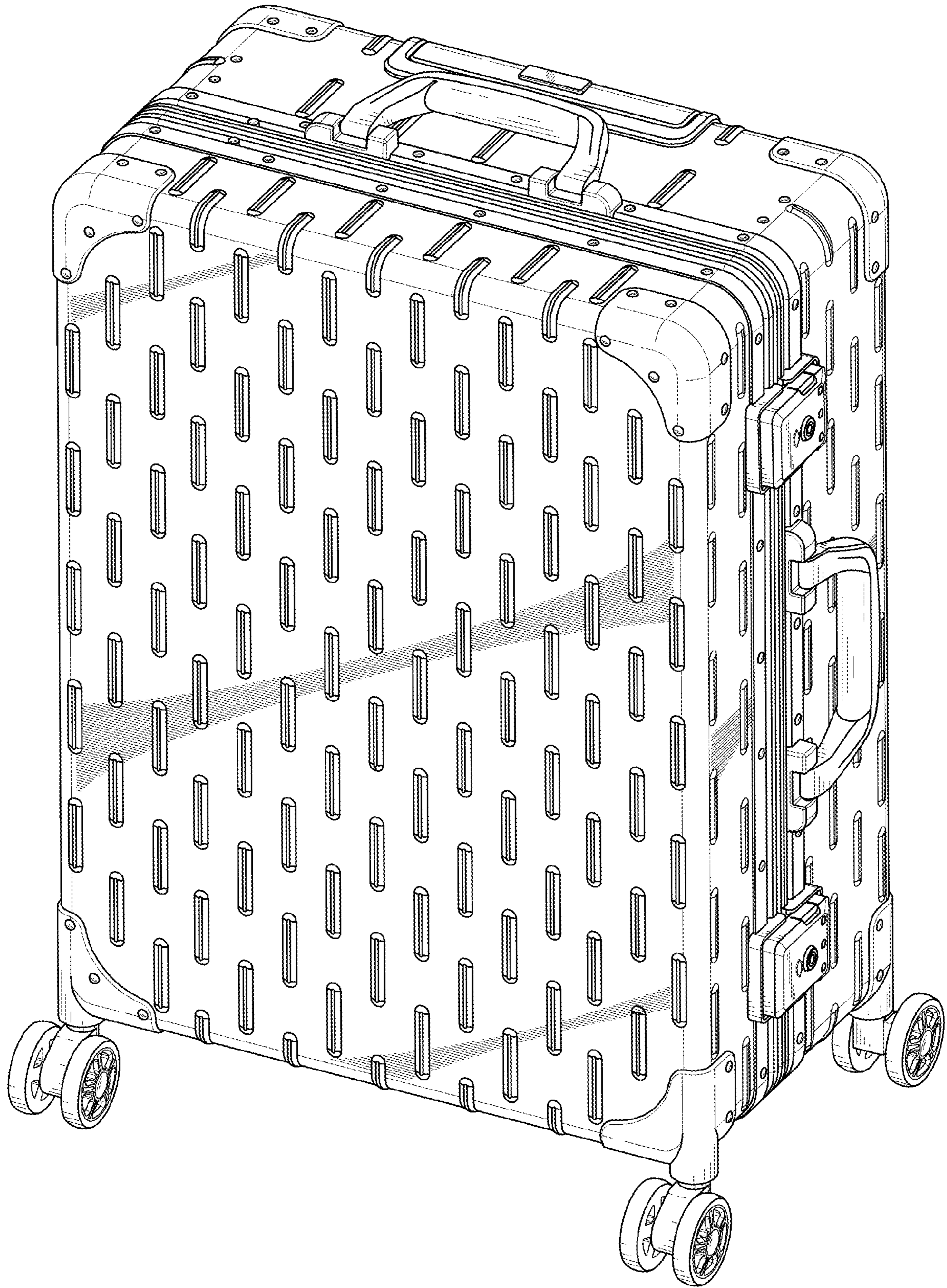


FIG. 1

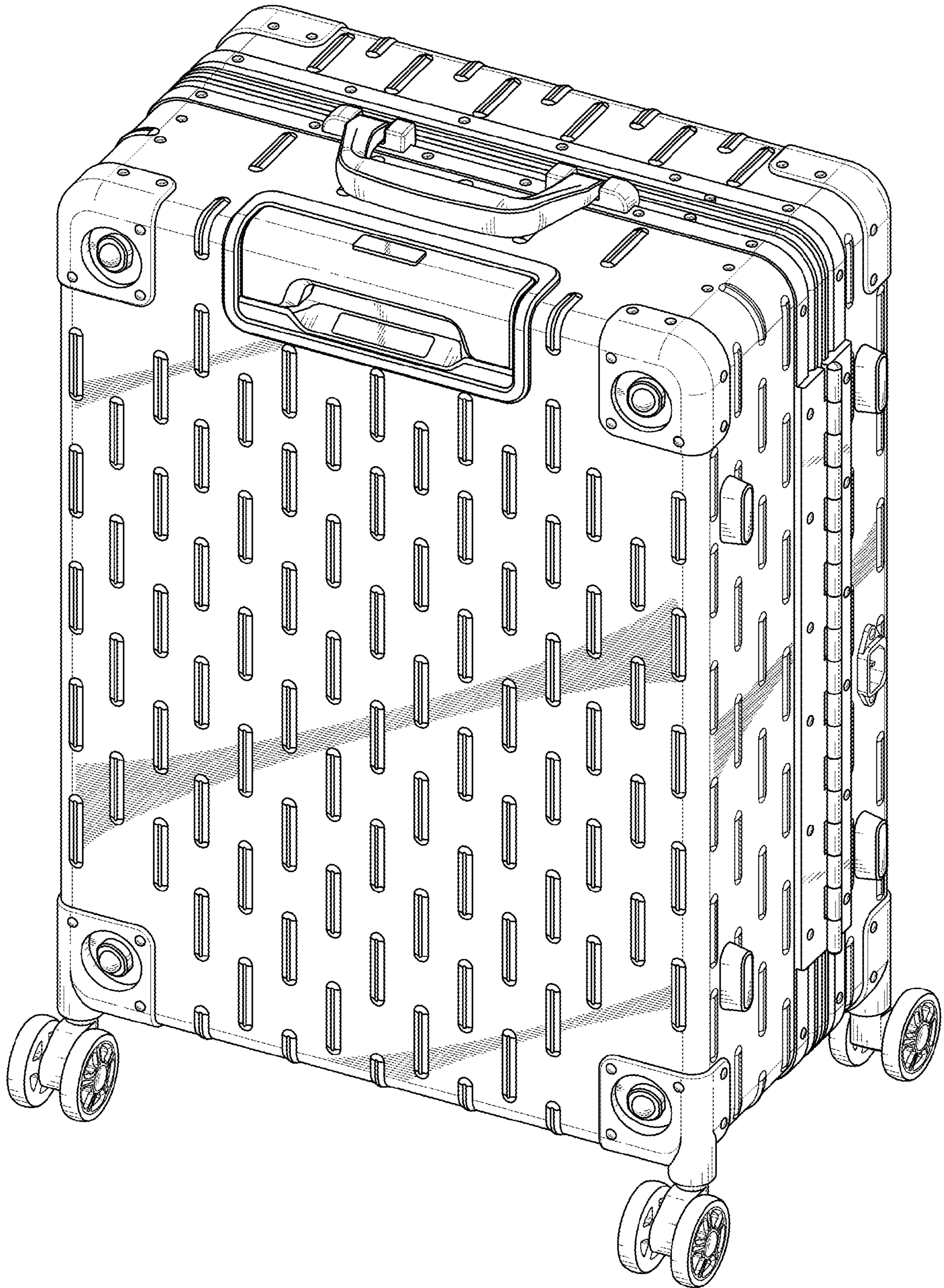


FIG. 2

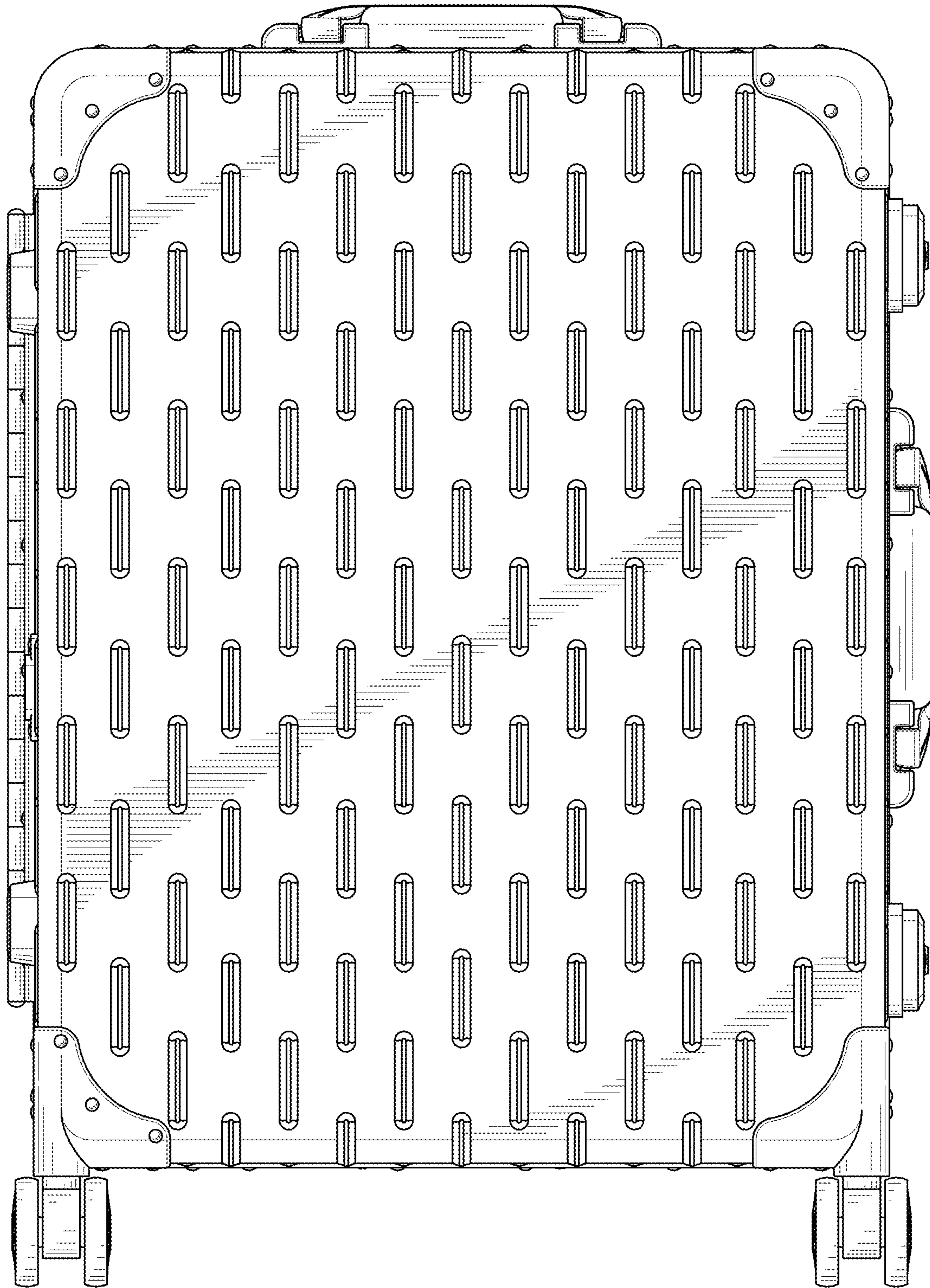


FIG. 3

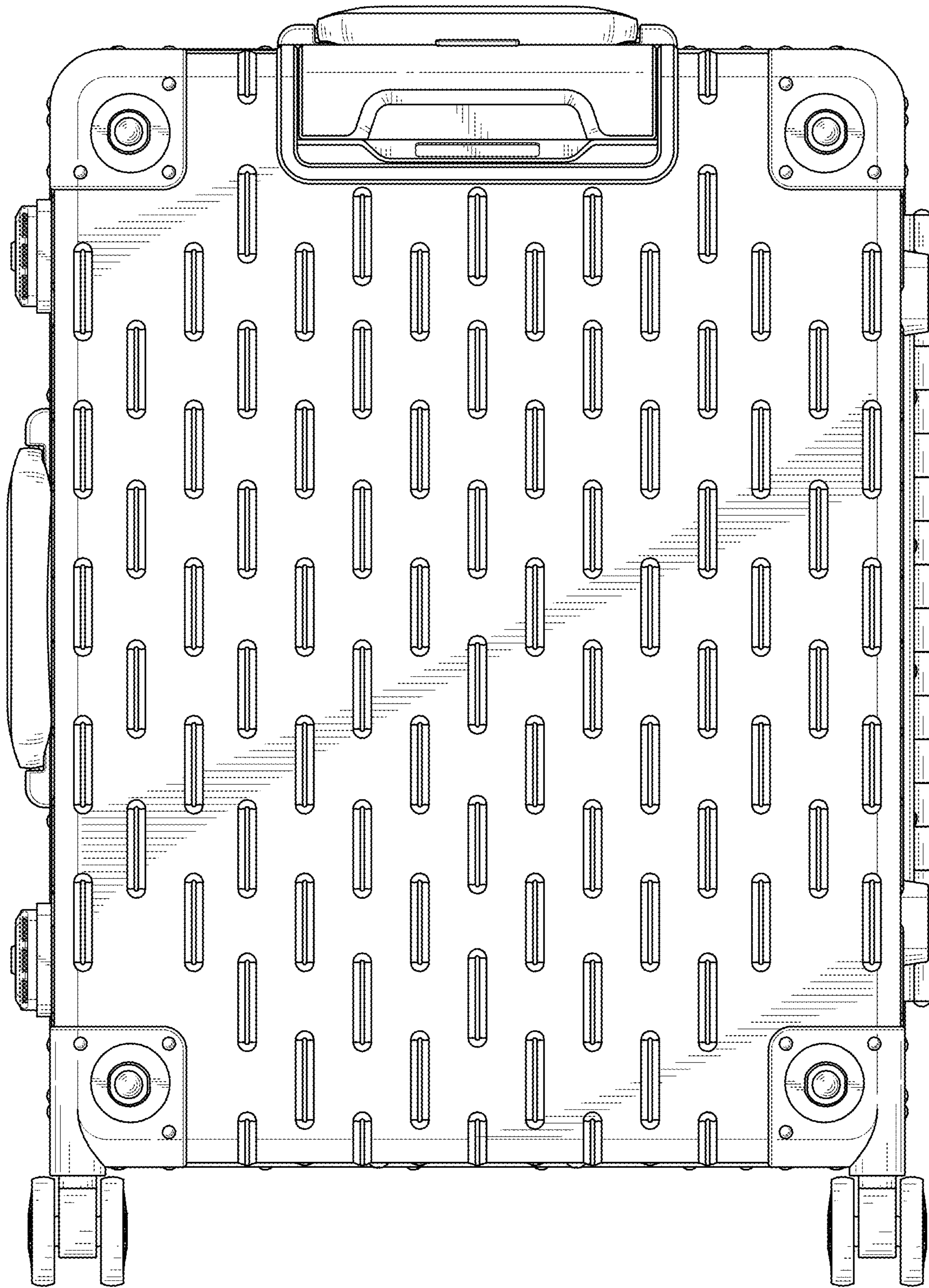


FIG. 4

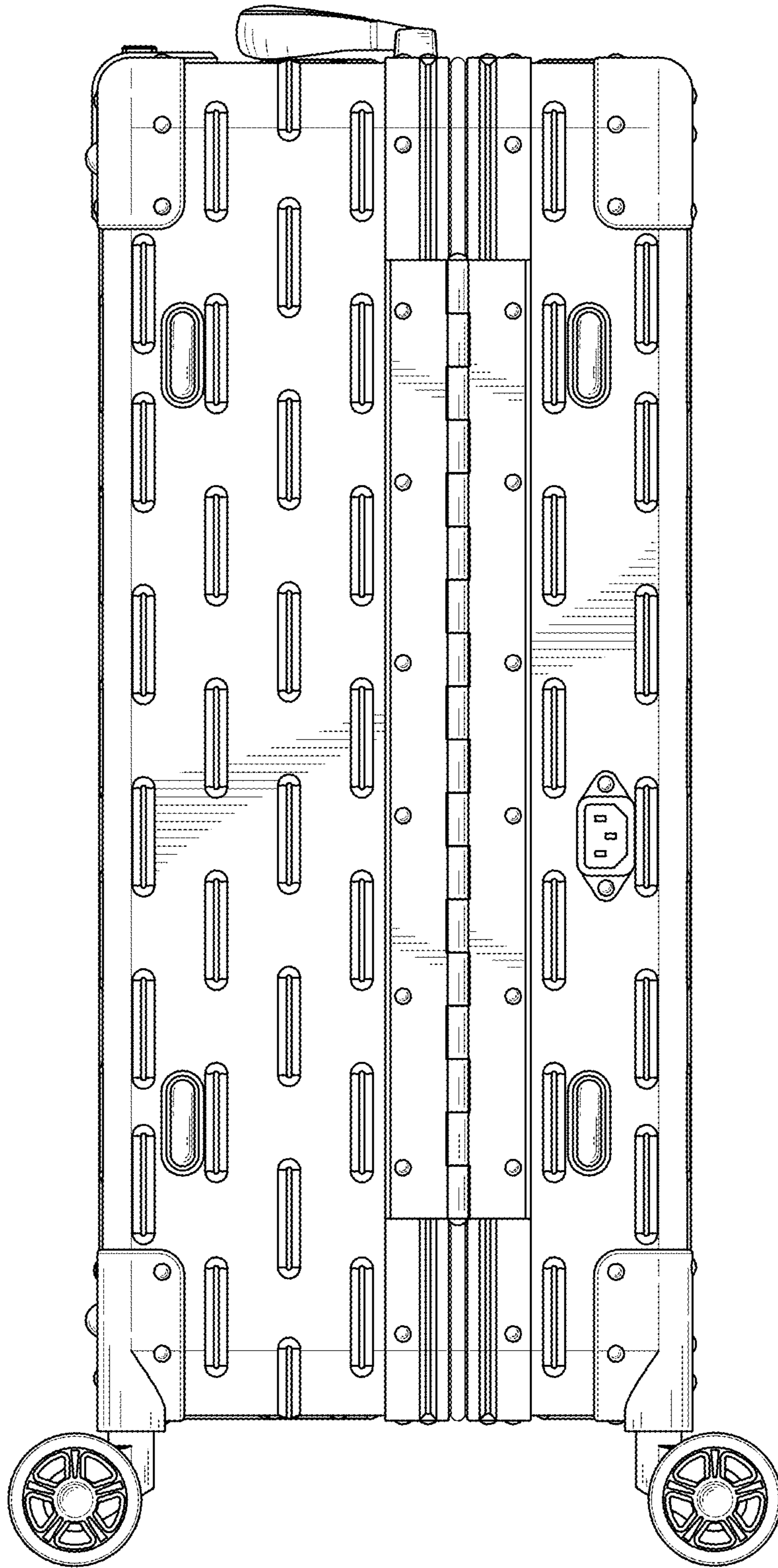


FIG. 5

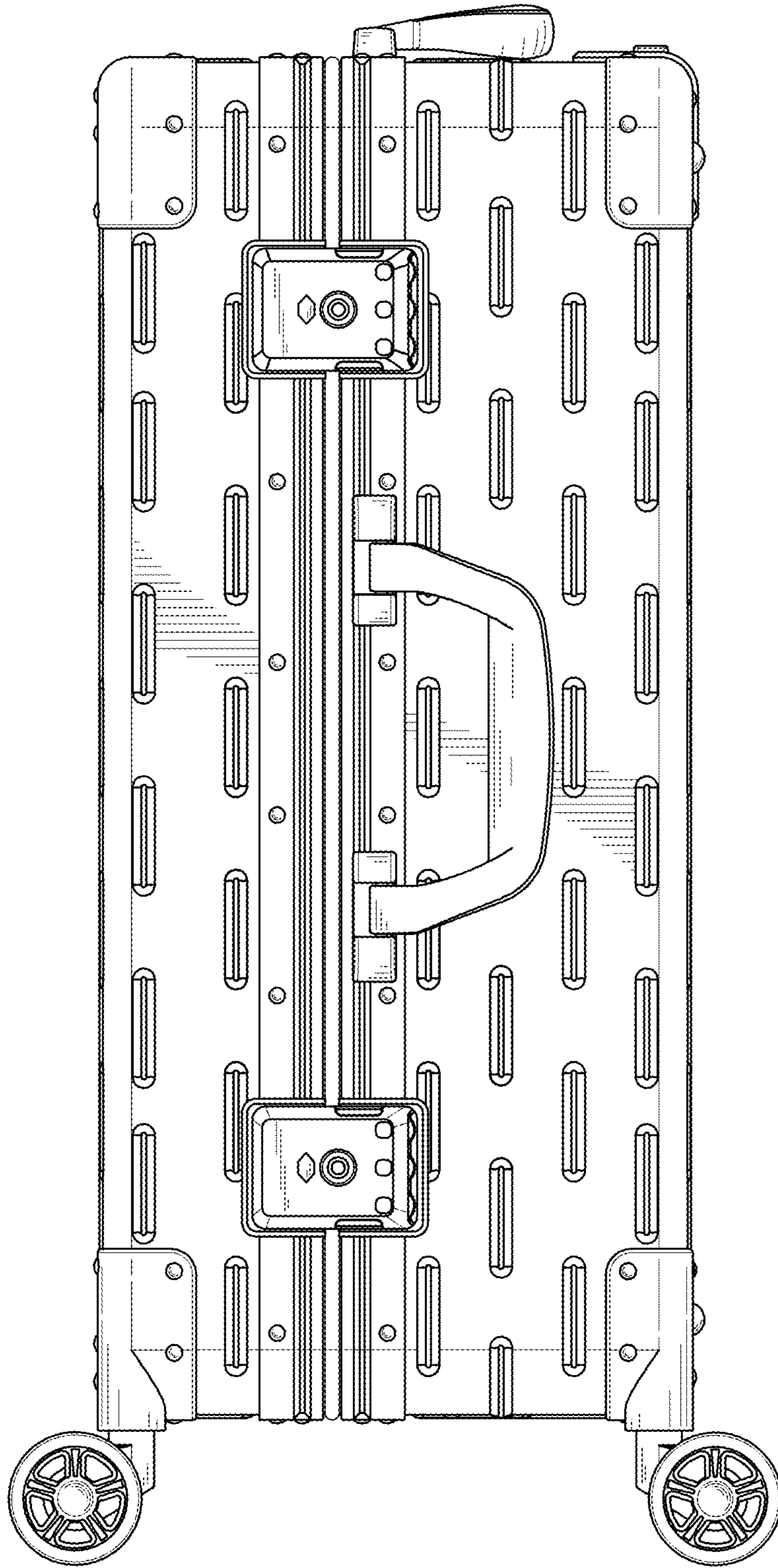


FIG. 6



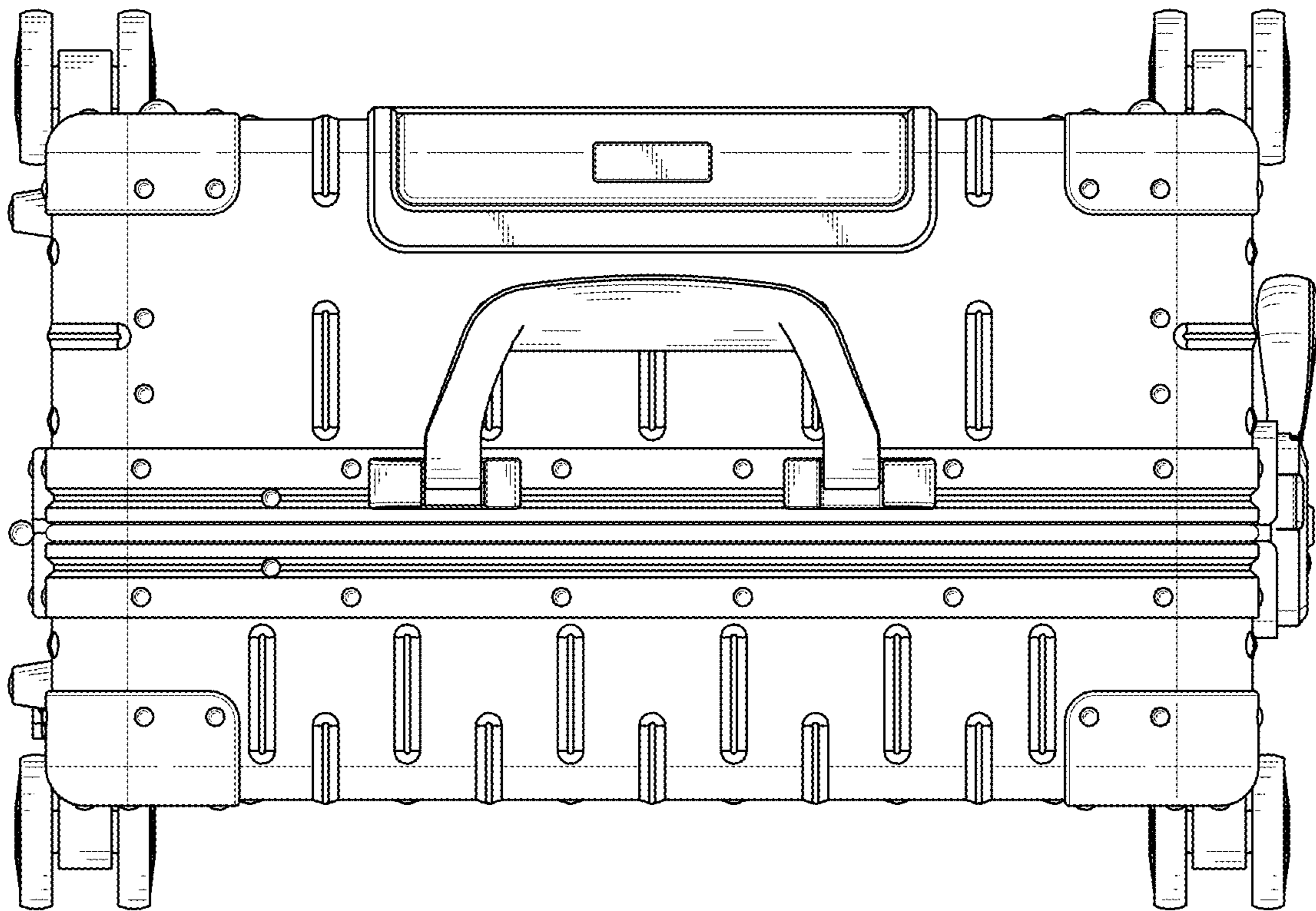


FIG. 7

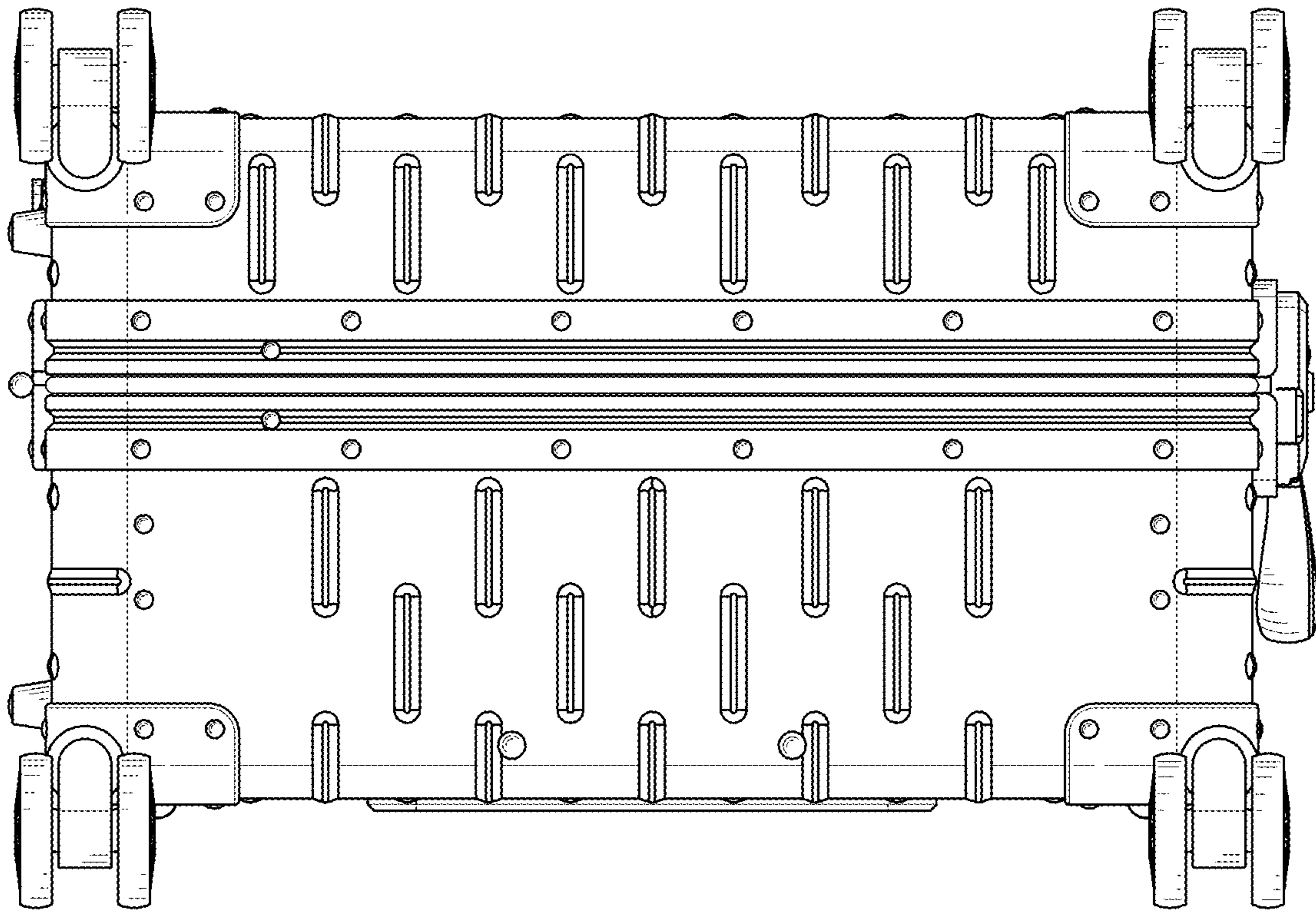


FIG. 8