



US00D944522S

(12) **United States Design Patent**
Chen

(10) **Patent No.:** **US D944,522 S**
(45) **Date of Patent:** **** Mar. 1, 2022**

(54) **SUITCASE**

FOREIGN PATENT DOCUMENTS

(71) Applicant: **Chuzhou Yujian Travel Product Co., Ltd, Chuzhou (CN)**

CN 304871083 * 11/2018
CN 305073528 * 3/2019

(Continued)

(72) Inventor: **Xiaoge Chen, Chuzhou (CN)**

(**) Term: **15 Years**

OTHER PUBLICATIONS

(21) Appl. No.: **29/728,334**

Amazon.com, Site visited Oct. 13, 2021, Andiamo Elegante Suitcase with built in TSA lock, Oldest review dated May 24, 2017, https://www.amazon.com/Andiamo-Elegante-Hardside-Luggage-Spinner/dp/B01MTKZI9U/ref=sr_1_2?dchild (Year: 2017).*

(22) Filed: **Mar. 17, 2020**

(30) **Foreign Application Priority Data**

Sep. 18, 2019 (CN) 201930512644.2

(51) **LOC (13) Cl.** **03-01**

(52) **U.S. Cl.**
USPC **D3/279**

(58) **Field of Classification Search**
USPC D3/273, 276, 279, 281, 291, 321, 274,
D3/283, 292, 318, 319, 322, 282, 289,
D3/902, 905; D8/331

CPC A45C 5/14; A45C 5/00; A45C 2003/008;
A45C 2005/032

See application file for complete search history.

Primary Examiner — Brett Miller

Assistant Examiner — Jessica M Gebhart

(57) **CLAIM**

The ornamental design for a suitcase, as shown and described.

DESCRIPTION

FIG. 1 is a front and top perspective view of a suitcase, showing my new design;

FIG. 2 is a front elevational view thereof;

FIG. 3 is a rear elevational view thereof;

FIG. 4 is a left side elevational view thereof;

FIG. 5 is a right side elevational view thereof;

FIG. 6 is a top plan view thereof;

FIG. 7 is a bottom plan view thereof;

FIG. 8 is an enlarged view of a portion indicated with numeric 8 in FIGS. 1; and,

FIG. 9 is an enlarged view of a portion indicated with numeric 9 in FIG. 1.

The broken lines in the figures illustrate portions of the suitcase that form no part of the claimed design. The dash dot dash lines in FIGS. 1, 8 and 9 are for the purpose of depicting the cut line of the enlarged view and form no part of the claim.

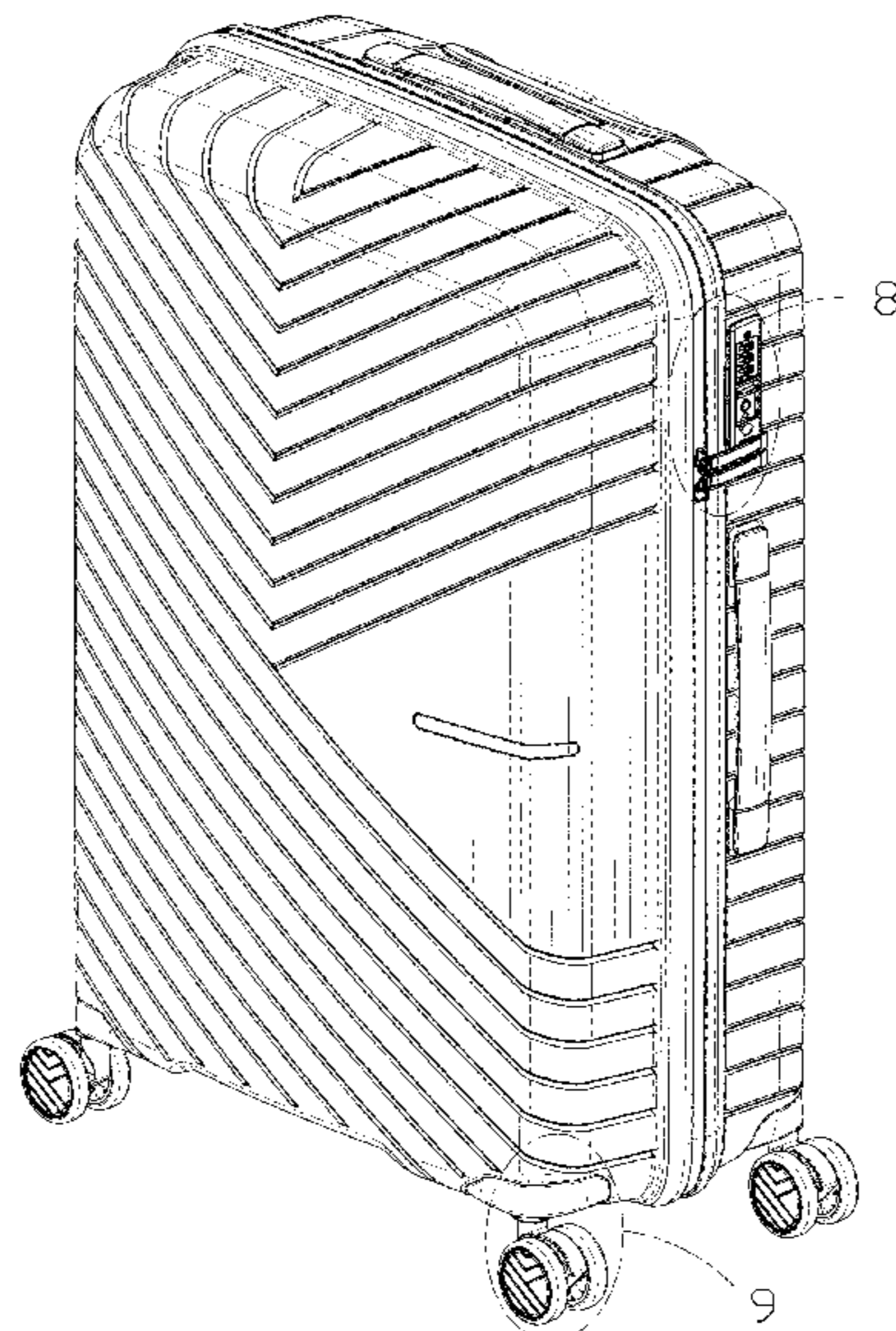
(56) **References Cited**

U.S. PATENT DOCUMENTS

D190,271 S * 5/1961 Sherman D3/292
D268,004 S * 2/1983 Stolarz D8/331
D285,771 S * 9/1986 Gehrie D8/331
D291,653 S * 9/1987 Bialo D8/331
D296,185 S * 6/1988 Scelba D8/331
D512,566 S * 12/2005 Nuovo D3/321
D563,101 S * 3/2008 Kuchler D3/279
D587,902 S * 3/2009 Yoneno D3/279
D627,162 S * 11/2010 Weng D3/279
D685,186 S * 7/2013 Massaud D3/279
D710,608 S * 8/2014 Yoneno D3/279
D711,647 S * 8/2014 Chen D3/279
D789,691 S * 6/2017 Burns D3/318

(Continued)

1 Claim, 9 Drawing Sheets



(56)

References Cited

U.S. PATENT DOCUMENTS

D795,578 S	*	8/2017	Law	D3/279
D796,199 S	*	9/2017	Law	D3/279
D796,838 S	*	9/2017	Sijmons	D3/279
D810,436 S	*	2/2018	Kwon	D3/289
D830,693 S	*	10/2018	Maeda	D3/279
D907,920 S	*	1/2021	Li	D3/279
D919,969 S	*	5/2021	Chen	D3/279

FOREIGN PATENT DOCUMENTS

CN	305219301	*	6/2019
CN	305242384	*	7/2019
JP	D1620448	*	12/2018
KR	301010073.0000	*	6/2019

* cited by examiner

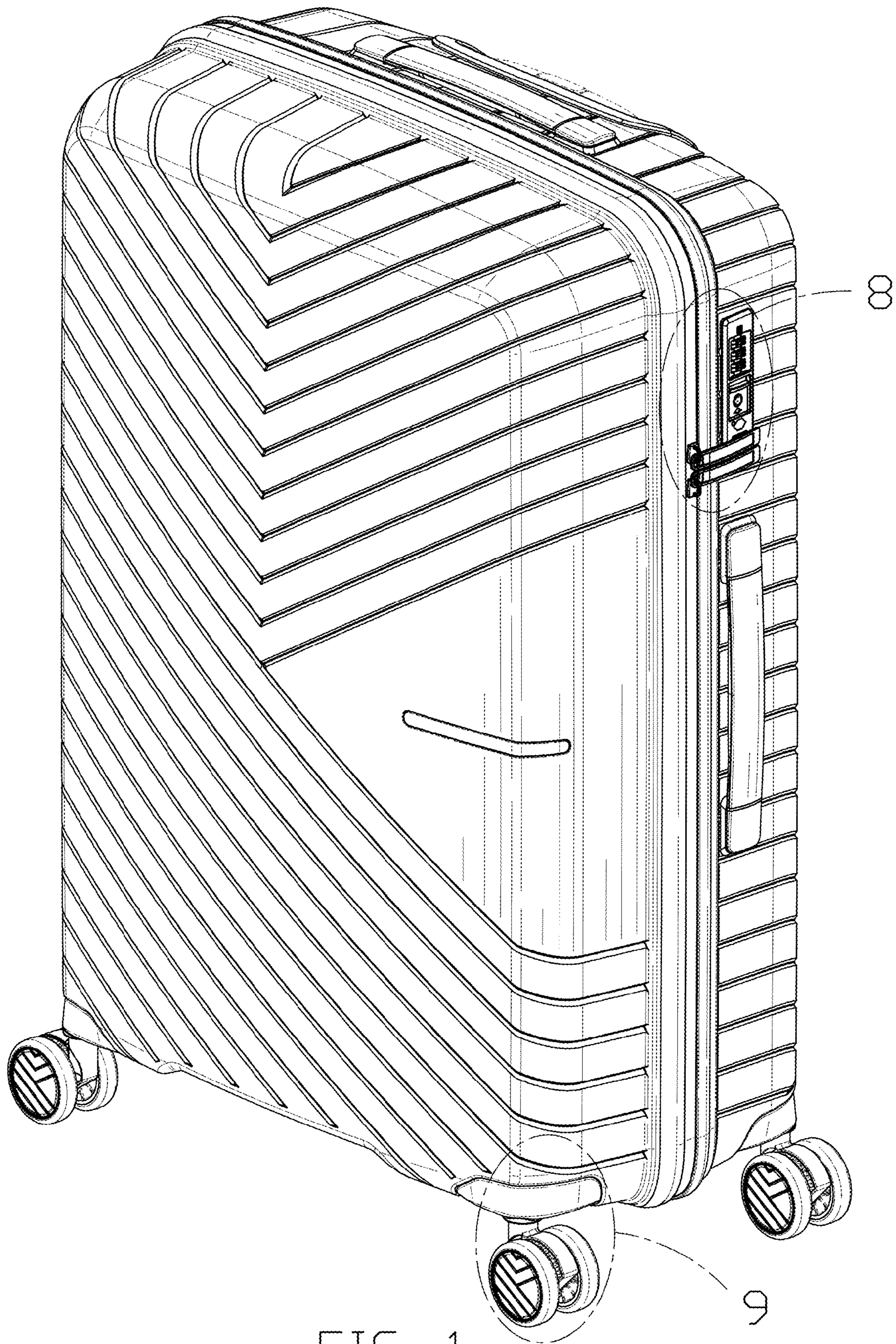


FIG. 1

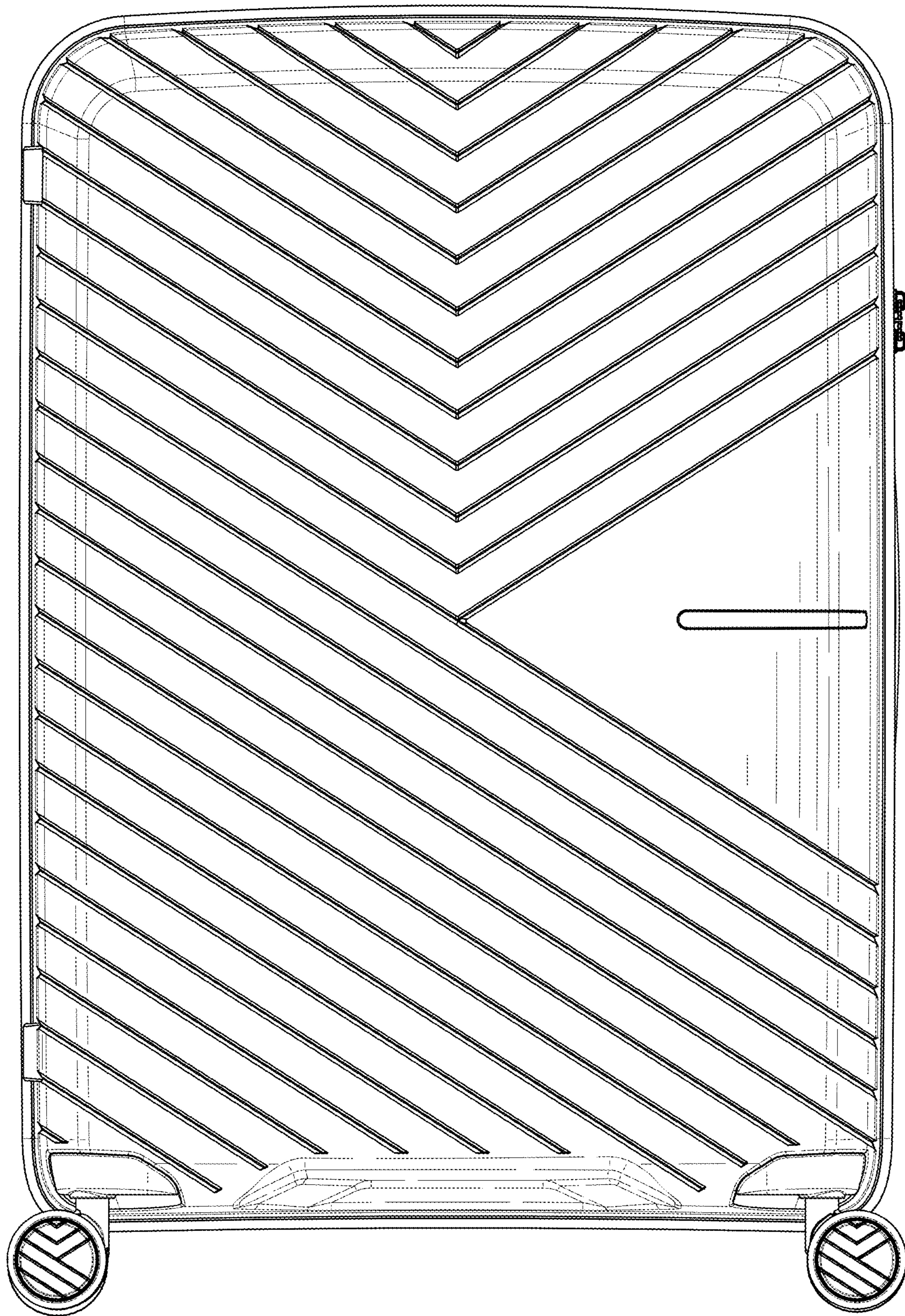


FIG. 2

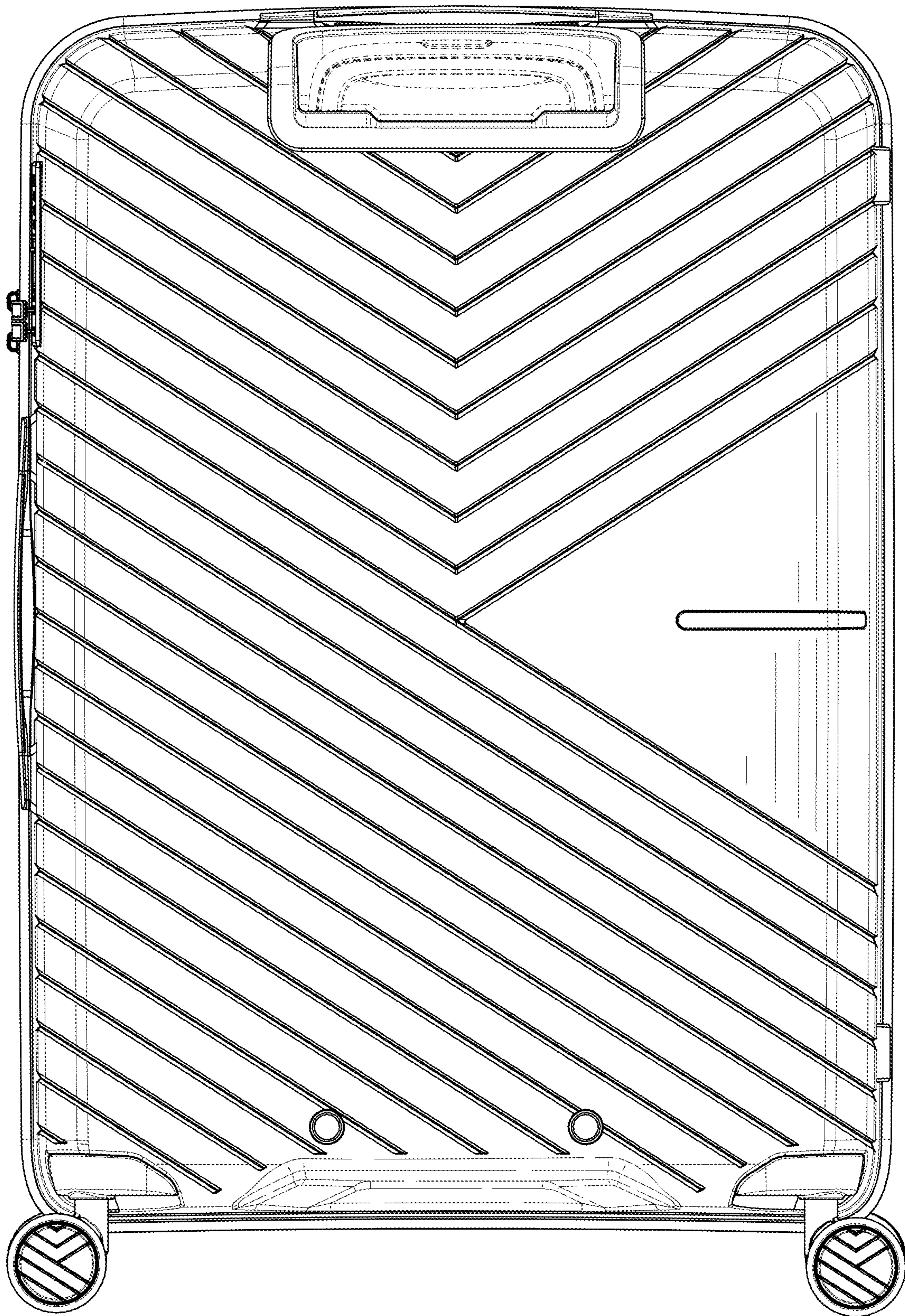


FIG. 3

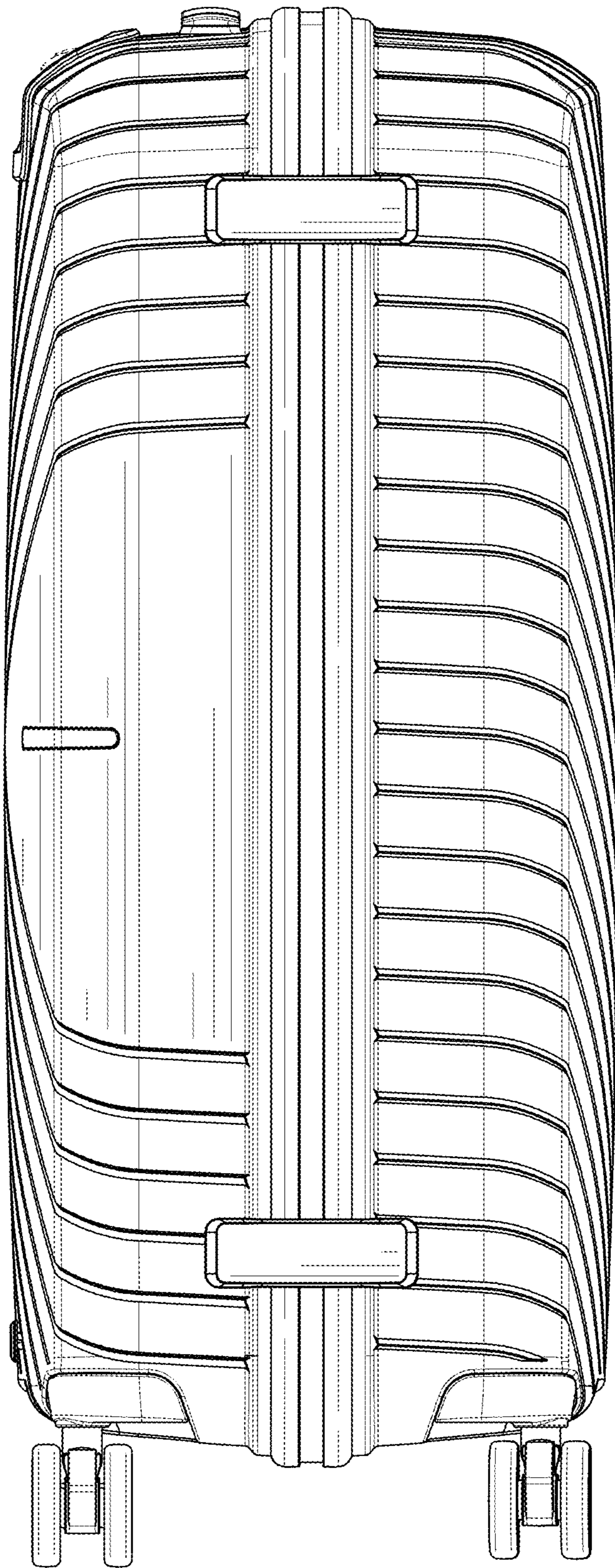


FIG. 4

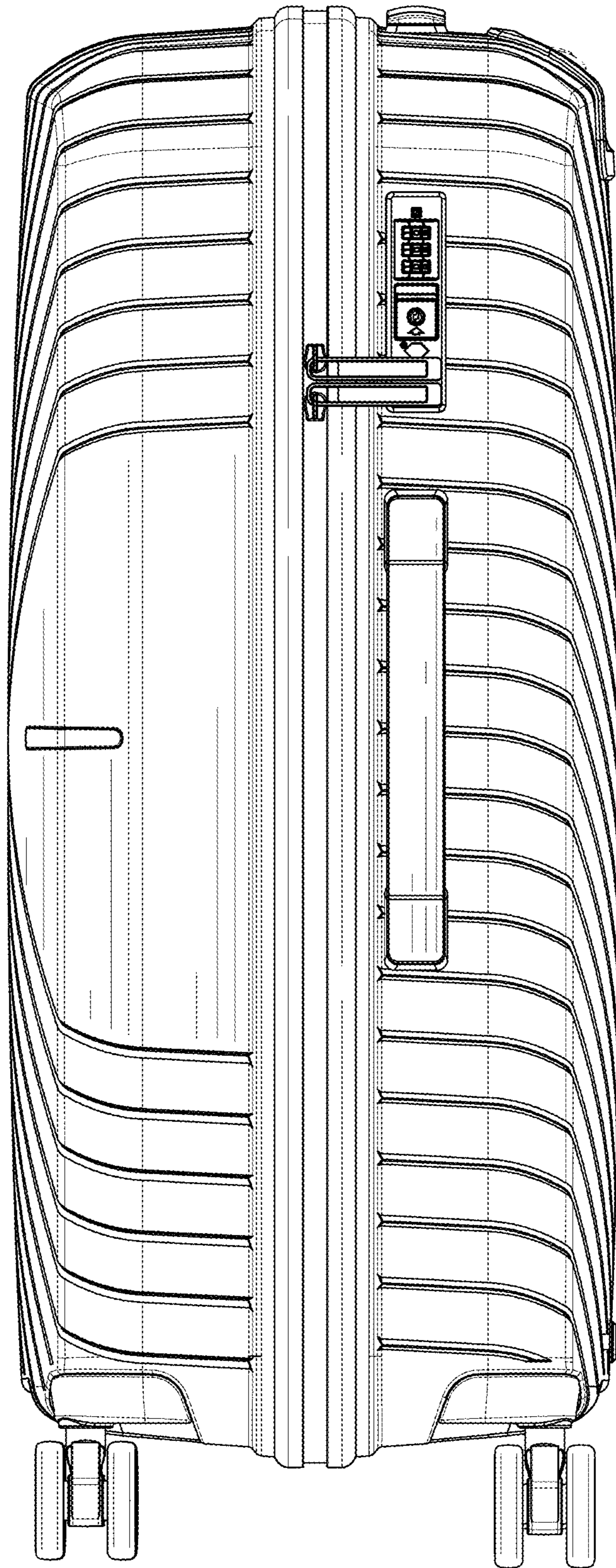


FIG. 5

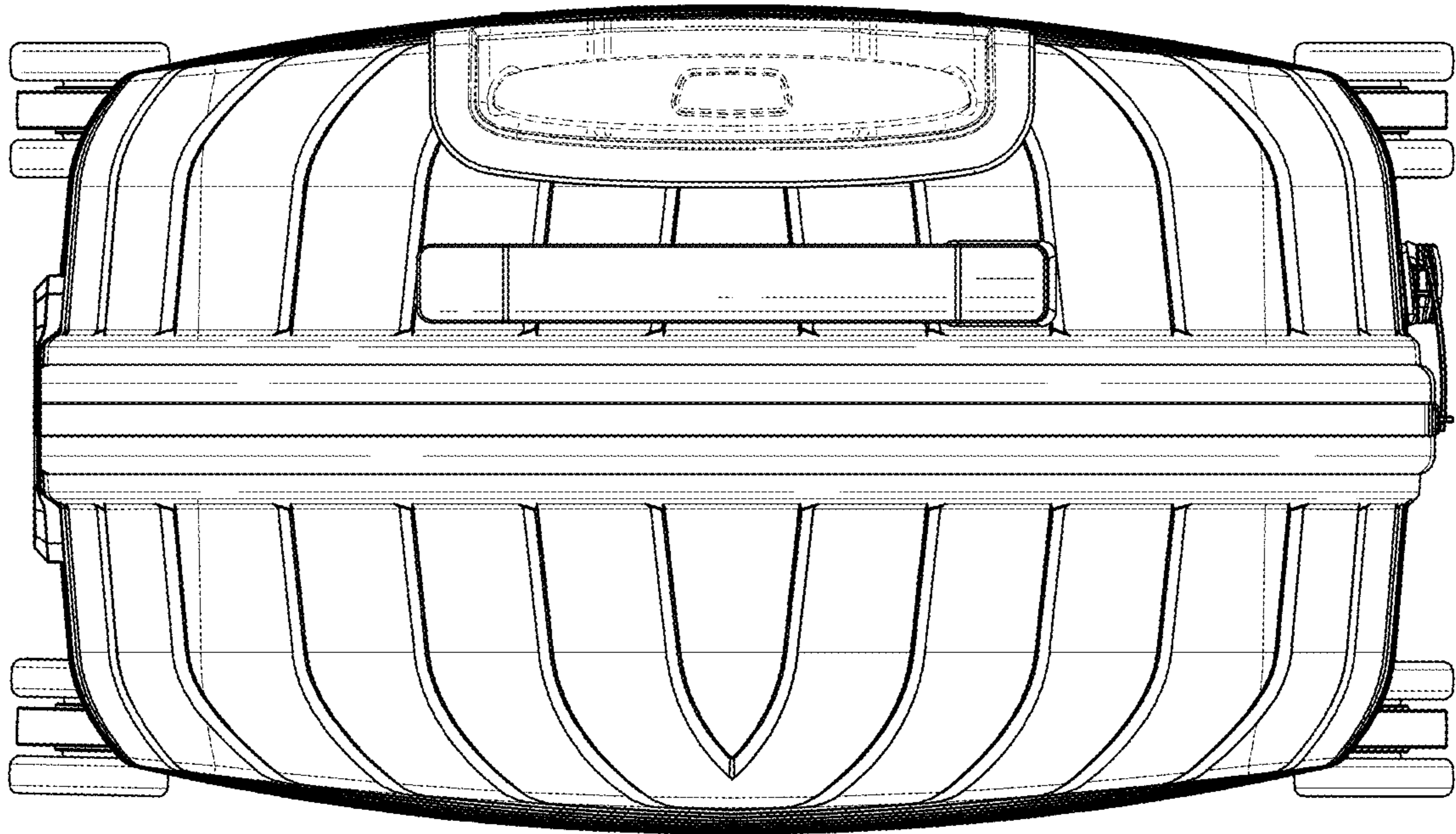


FIG. 6

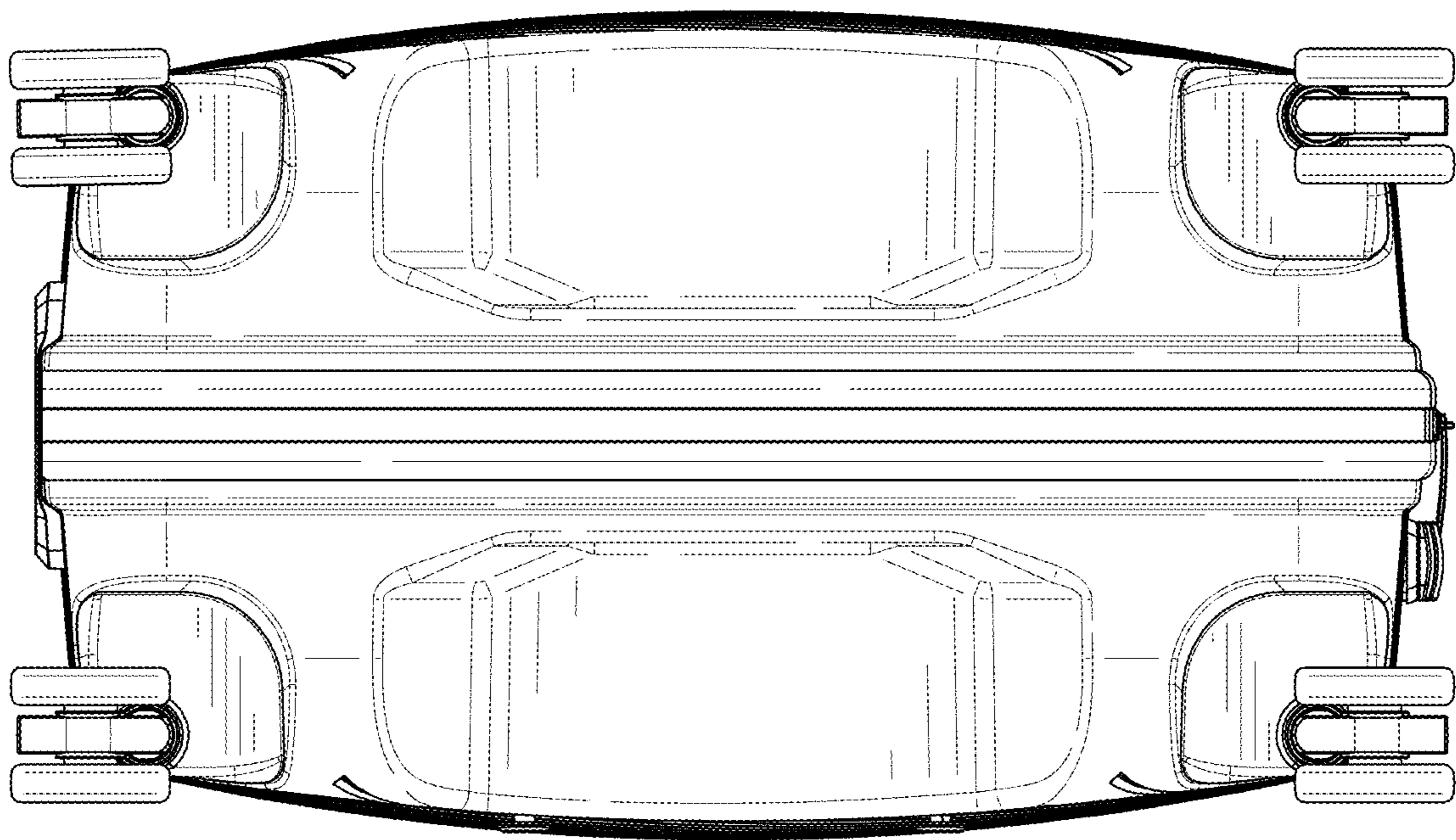


FIG. 7

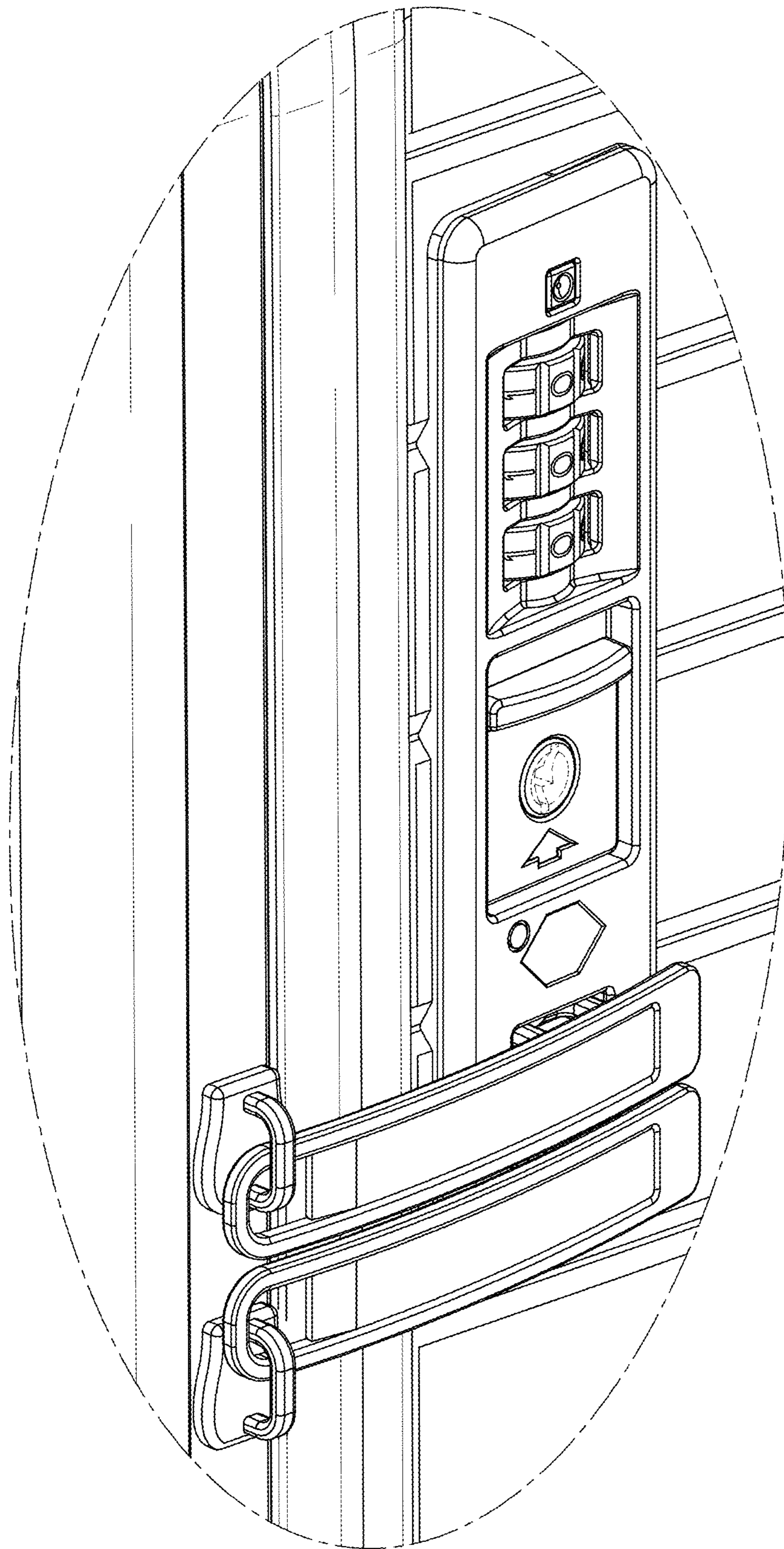


FIG. 8

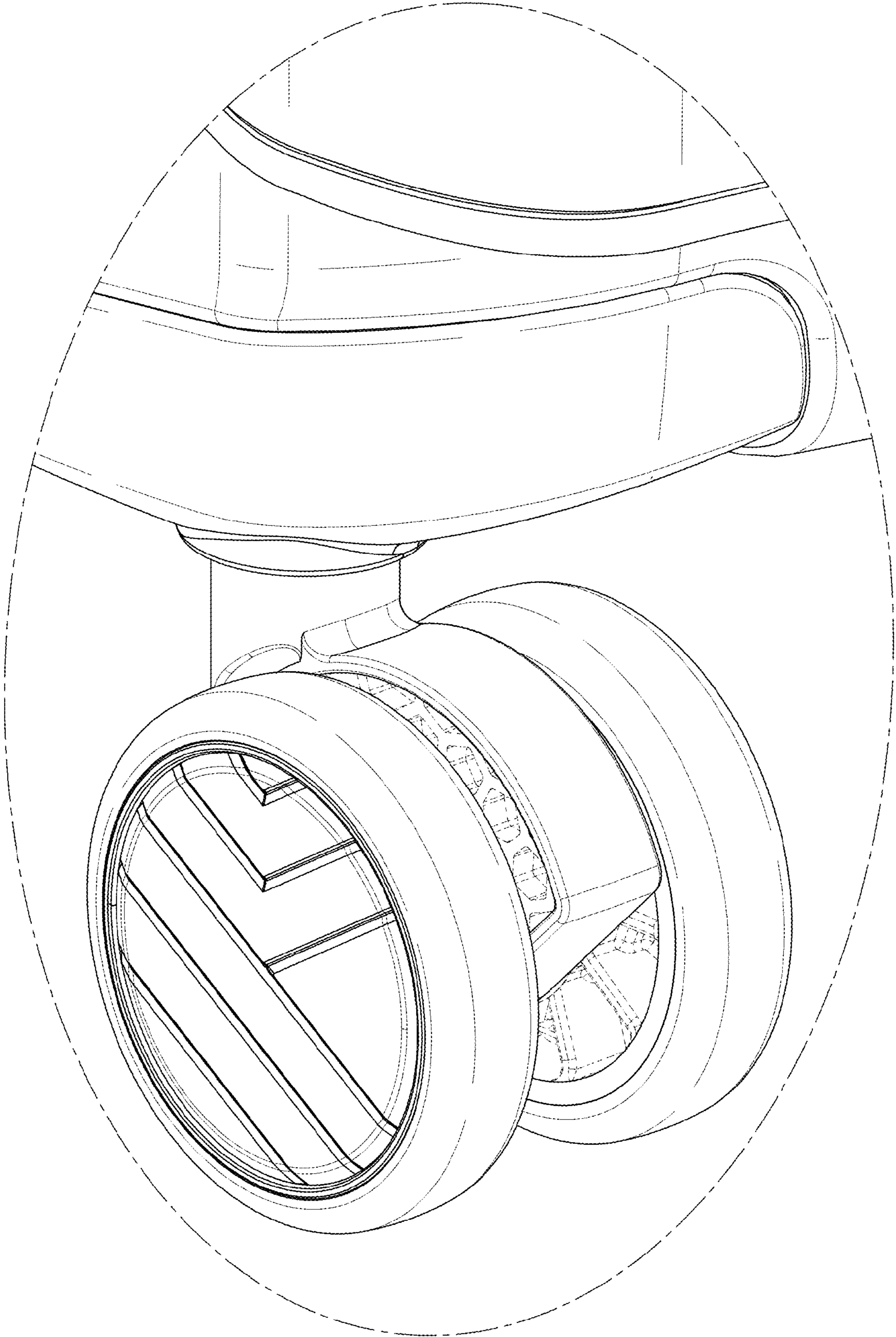


FIG. 9