



US00D944515S

(12) **United States Design Patent** (10) **Patent No.:** **US D944,515 S**
Ji (45) **Date of Patent:** **** Mar. 1, 2022**

(54) **BACKPACK**

(71) Applicant: **Dong Ji**, Shenzhen (CN)

(72) Inventor: **Dong Ji**, Shenzhen (CN)

(**) Term: **15 Years**

(21) Appl. No.: **29/767,798**

(22) Filed: **Jan. 26, 2021**

(51) **LOC (13) Cl.** **03-01**

(52) **U.S. Cl.**
USPC **D3/217**

(58) **Field of Classification Search**
USPC D3/216, 217
See application file for complete search history.

(56) **References Cited**

U.S. PATENT DOCUMENTS

D888,413 S *	6/2020	Dai	D3/217
D890,517 S *	7/2020	Smith	D3/217
D891,759 S *	8/2020	Smith	D3/217
D893,168 S *	8/2020	Smith	D3/217
D896,505 S *	9/2020	Yuan	D3/217
D903,307 S	12/2020	Rabe et al.		
D919,962 S *	5/2021	Shi	D3/217
D922,762 S *	6/2021	He	D3/217
2003/0024960 A1 *	2/2003	Greenstein	A45F 3/047 224/153
2013/0043292 A1 *	2/2013	White	A45F 3/047 224/607

2014/0069978 A1 *	3/2014	Callison	A63C 11/025 224/628
2014/0151424 A1 *	6/2014	Hexels	A45F 3/06 224/637
2018/0303213 A1 *	10/2018	Pusey	A45C 13/02

* cited by examiner

Primary Examiner — Jennifer L Watkins

(57) **CLAIM**

The ornamental design for a backpack, as shown and described.

DESCRIPTION

FIG. 1 is a front and top perspective view of a backpack, showing my new design;
FIG. 2 is a rear and bottom perspective view thereof;
FIG. 3 is a front elevation view thereof;
FIG. 4 is a rear elevation view thereof;
FIG. 5 is a left side elevation view thereof;
FIG. 6 is a right side elevation view thereof;
FIG. 7 is a top plan view thereof;
FIG. 8 is a bottom plan view thereof;
FIG. 9 is an enlarged view of a portion labeled, 'FIG. 9' in FIG. 1; and,
FIG. 10 is an enlarged view of a portion labeled, 'FIG. 10' in FIG. 2.

The dashed broken lines in the figures illustrate portions of the backpack that form no part of the claimed design. The dash dot dash lines in FIGS. 1, 2, 9 and 10 are for the purpose of depicting the cut line of the enlarged view and form no part of the claim.

1 Claim, 10 Drawing Sheets





FIG. 1

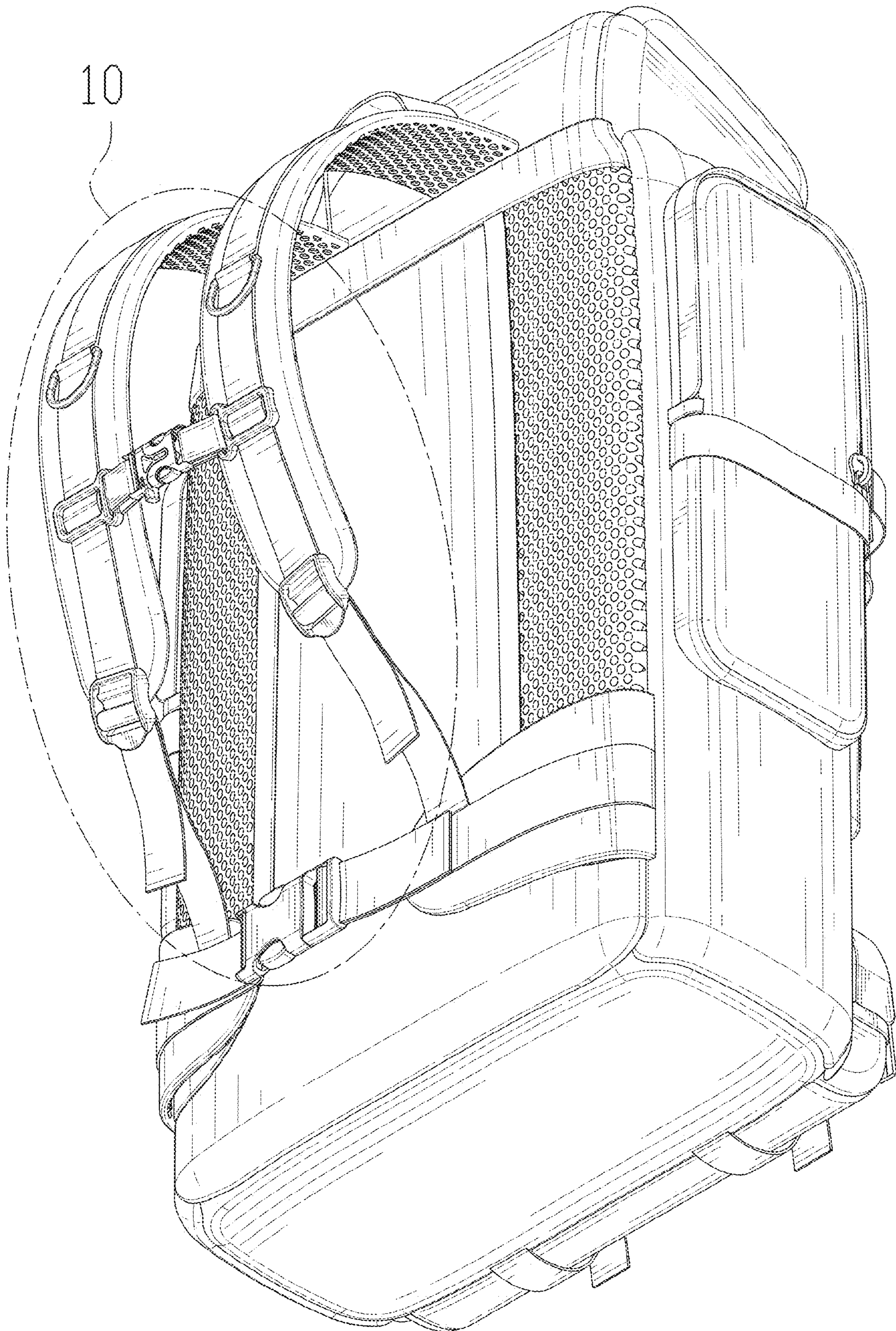


FIG. 2

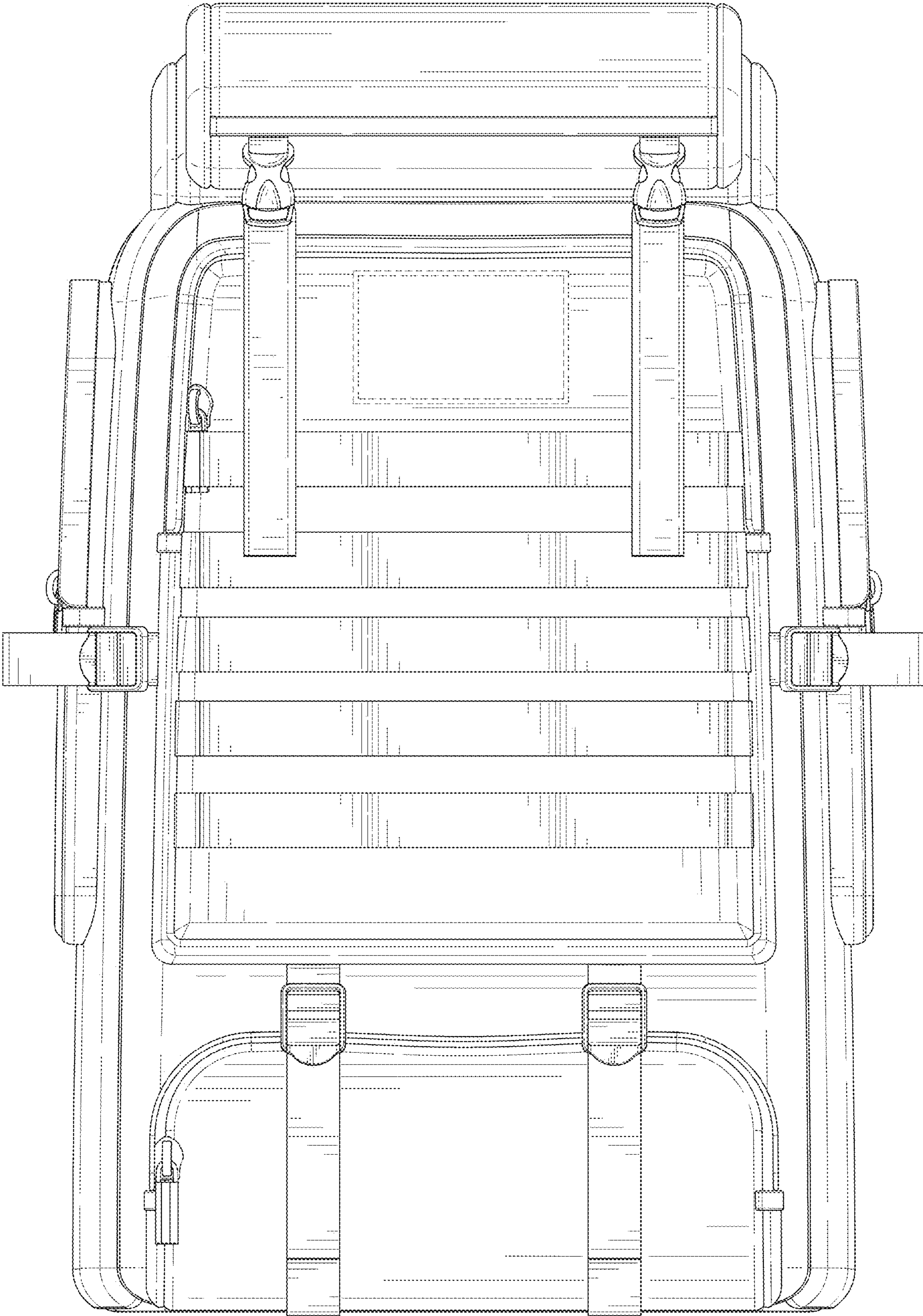


FIG. 3

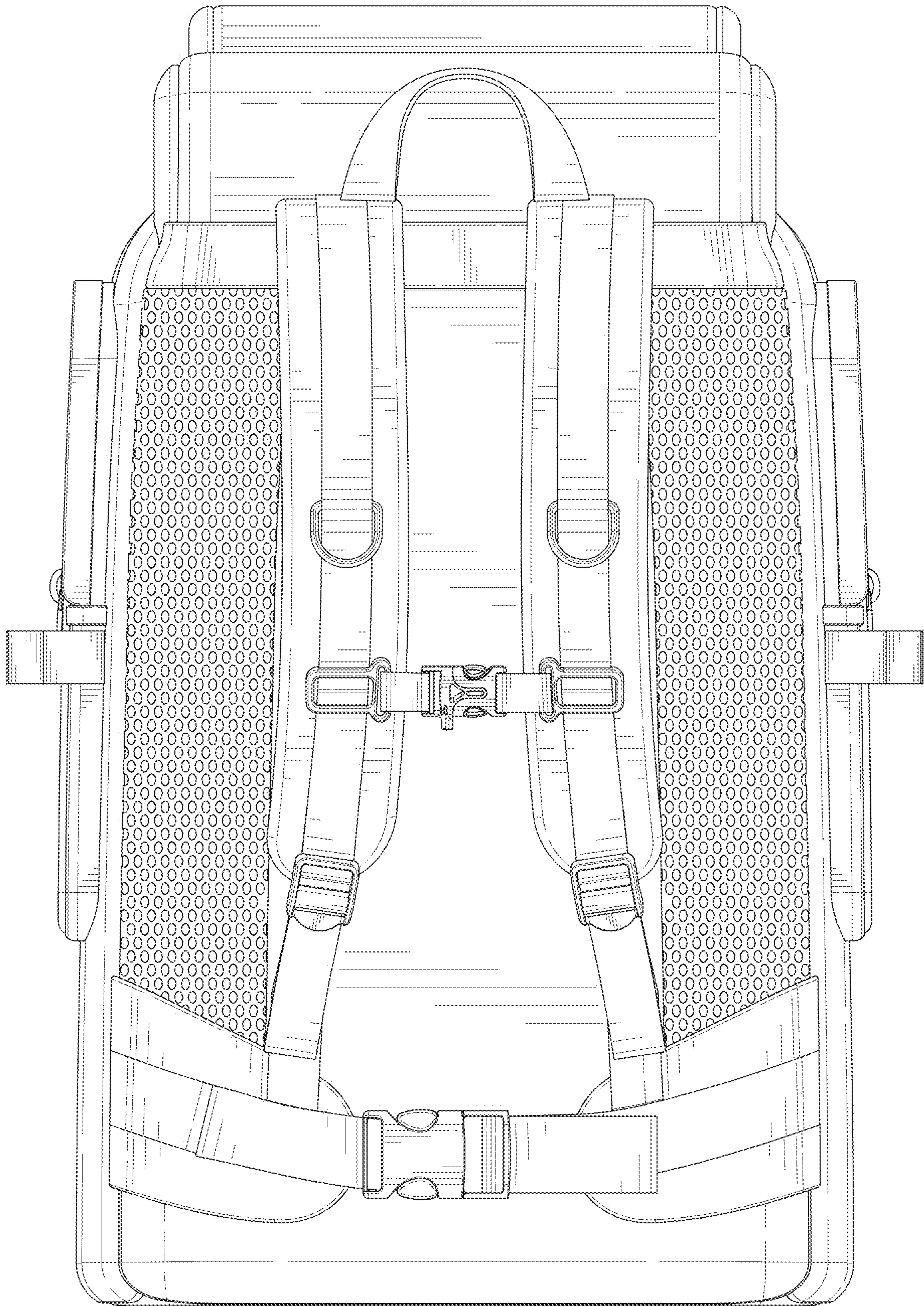


FIG. 4

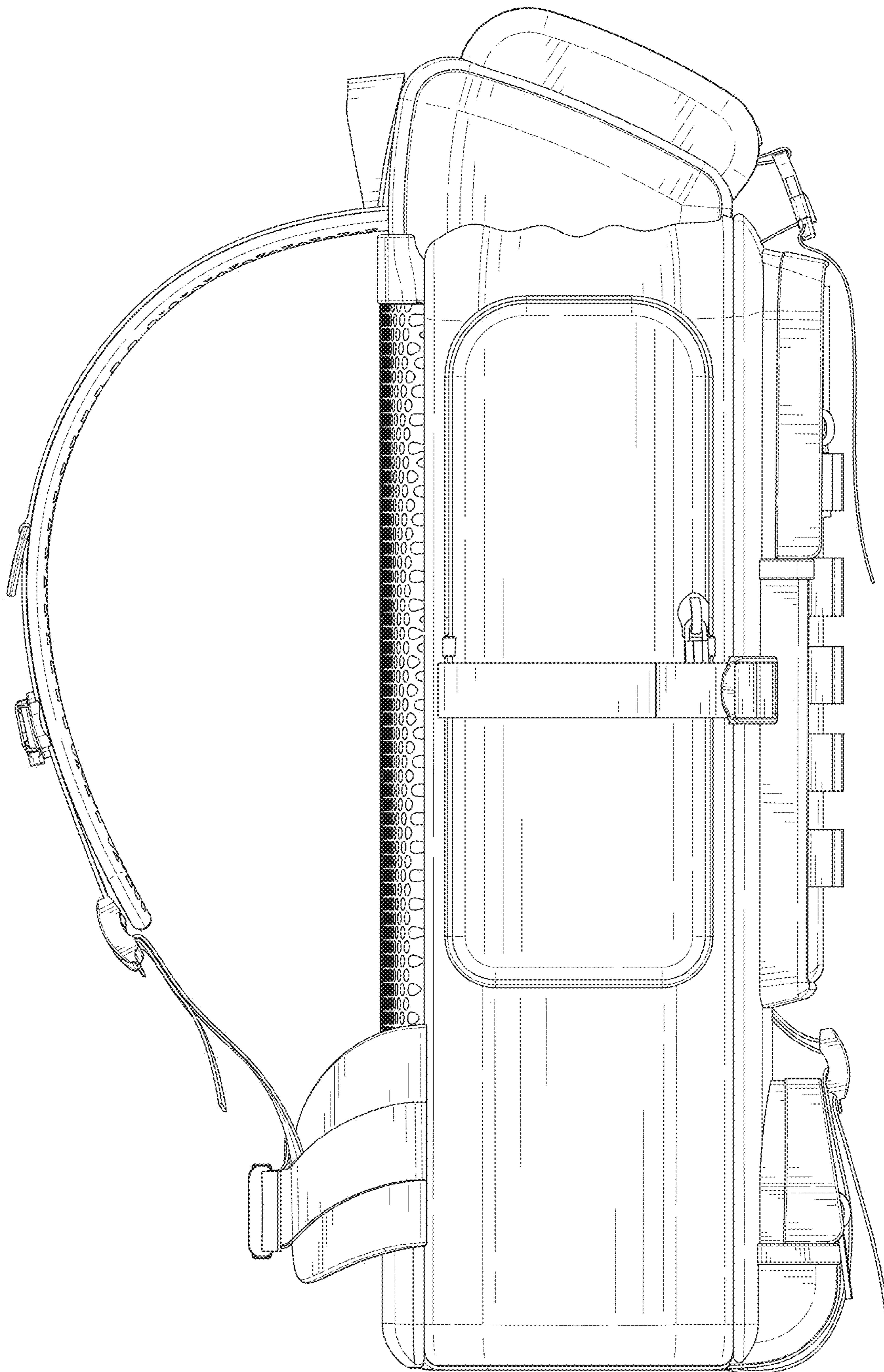


FIG. 5

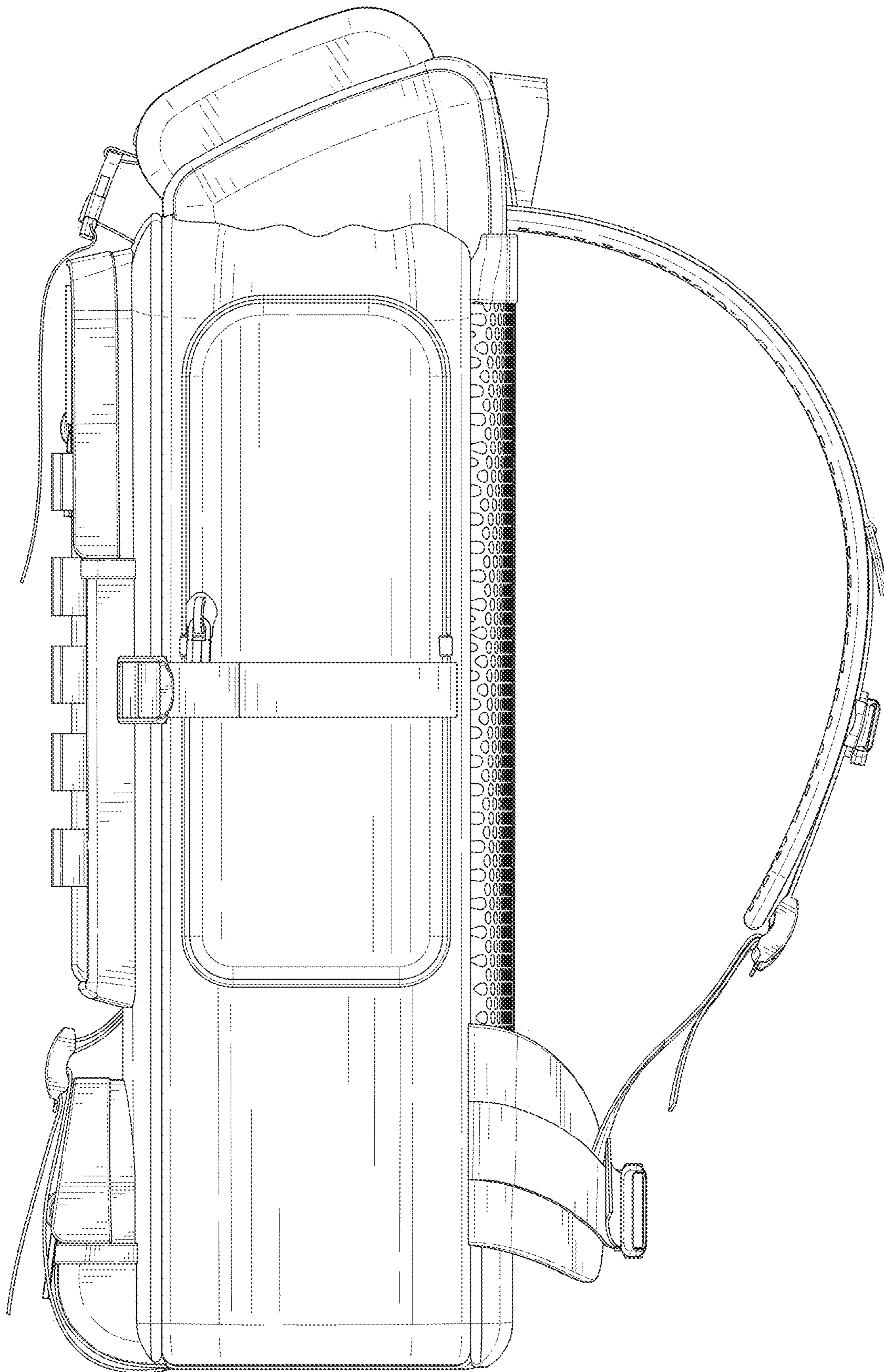


FIG. 6

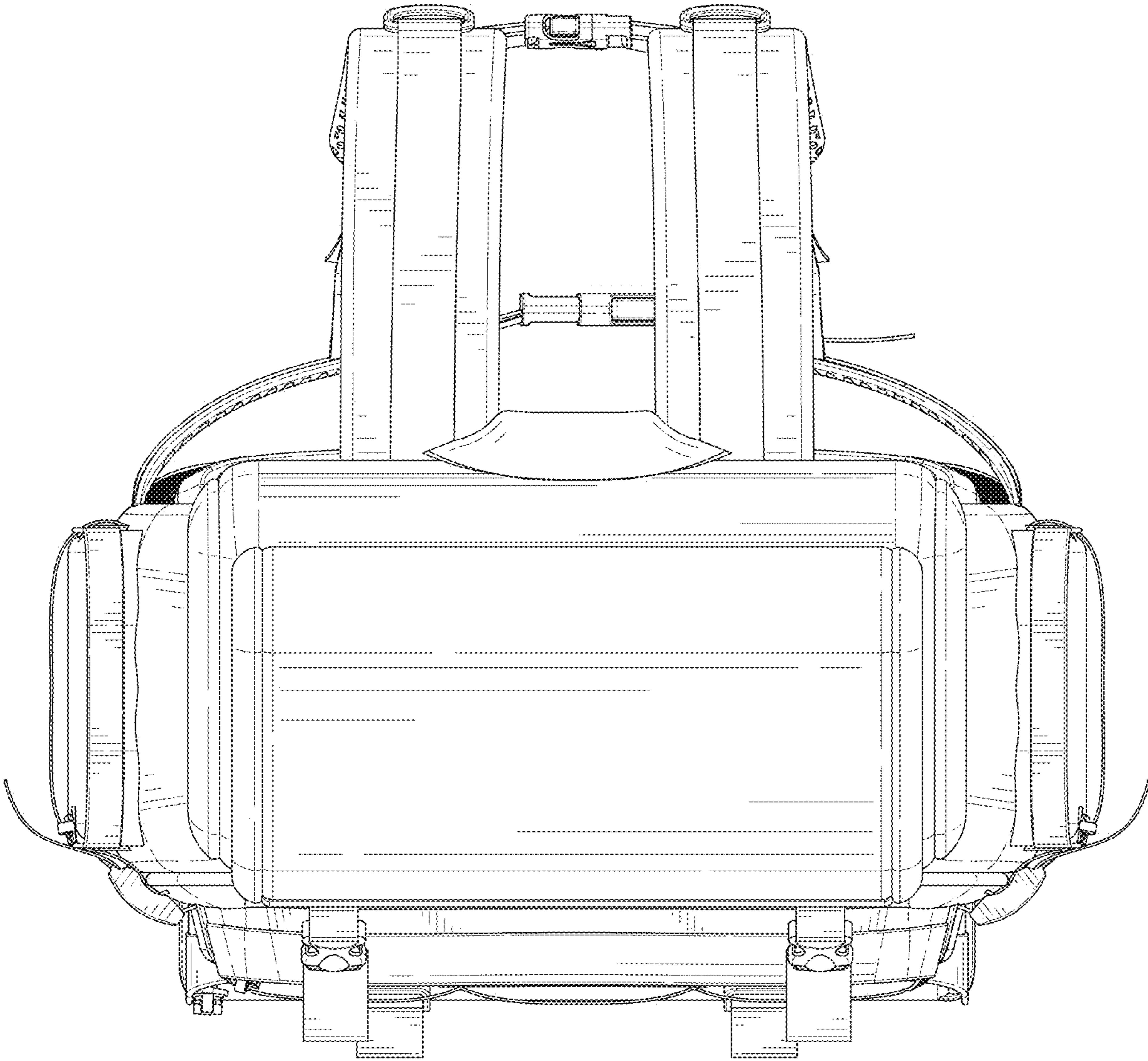


FIG. 7

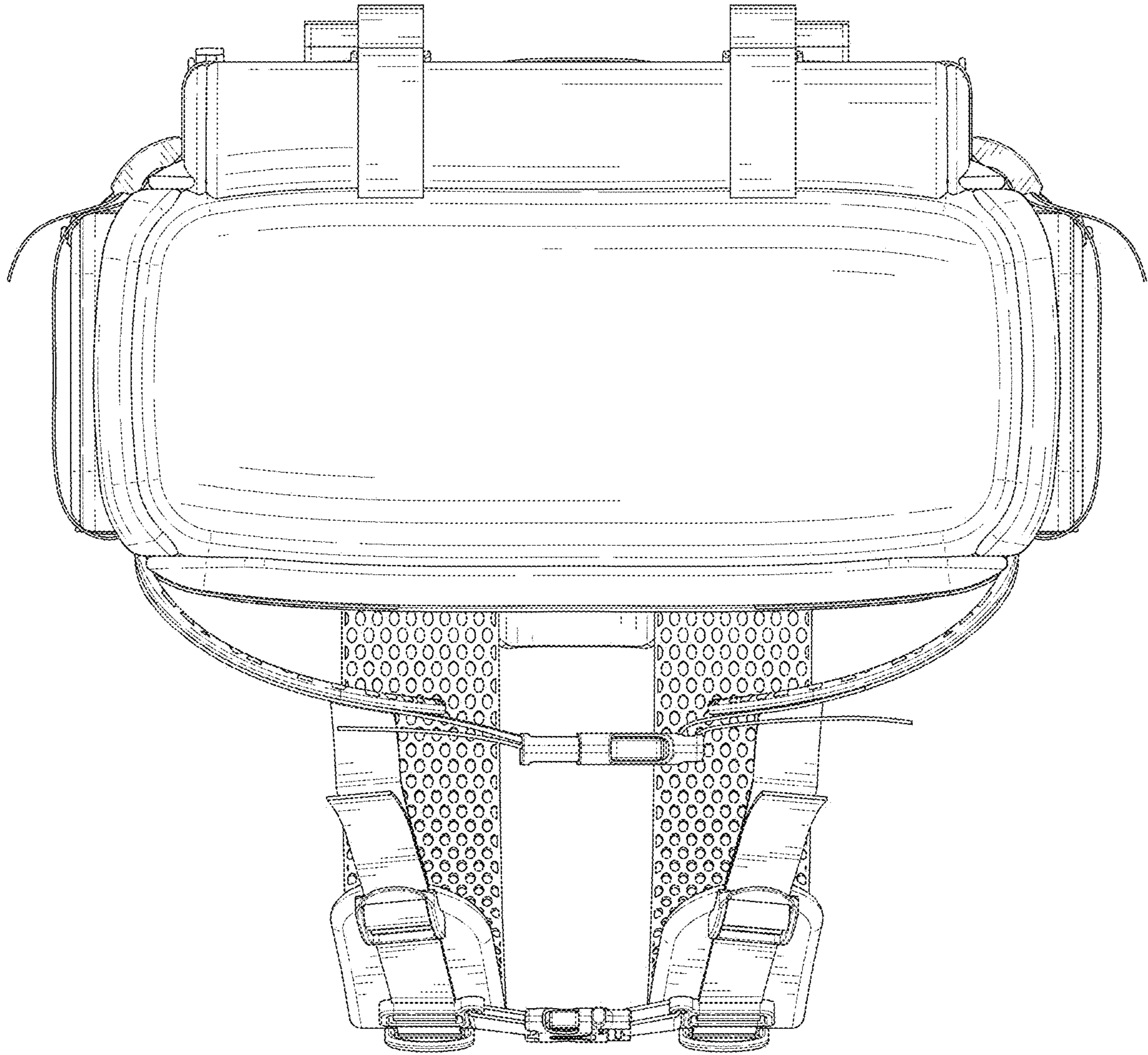


FIG. 8

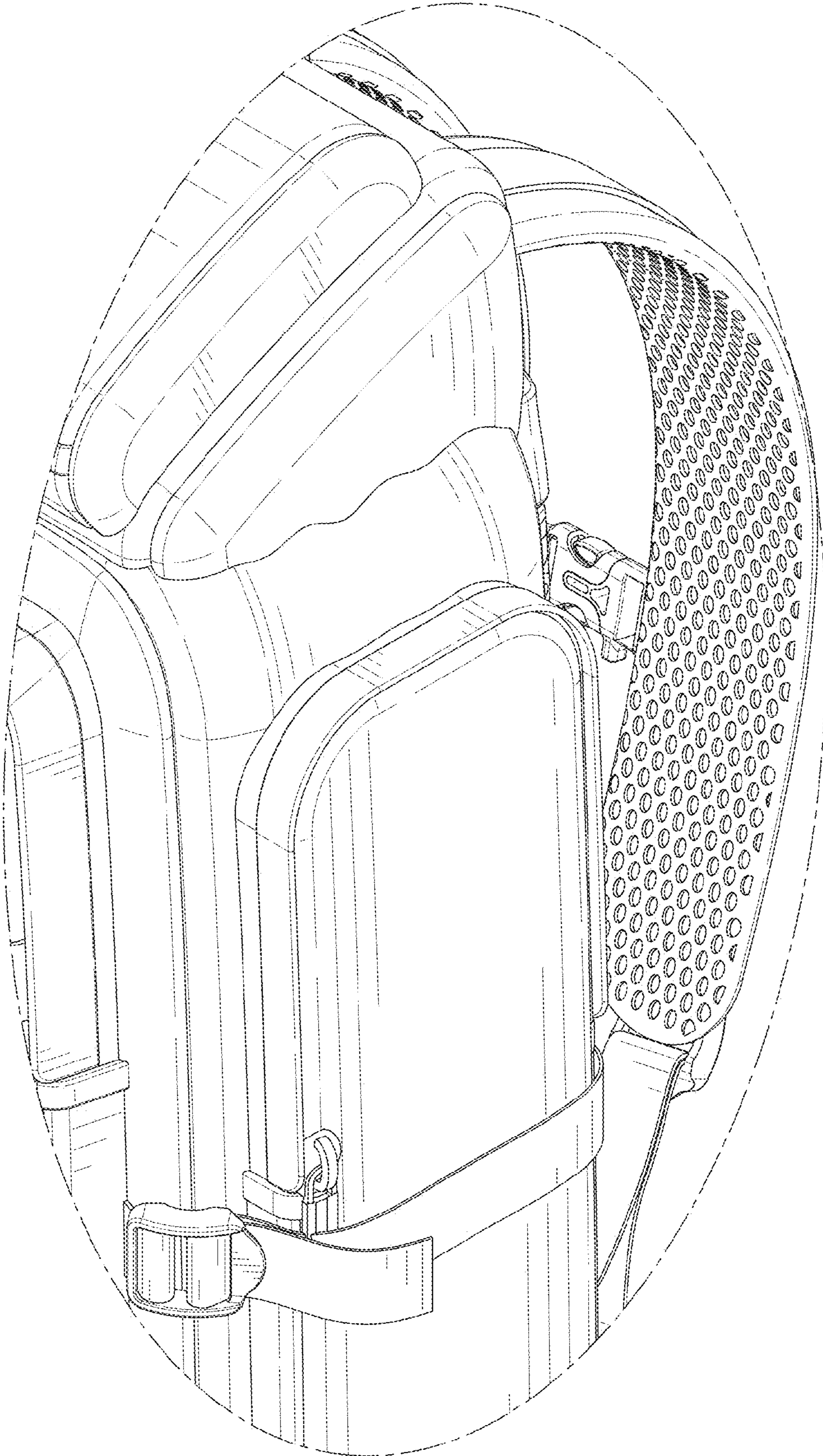


FIG. 9

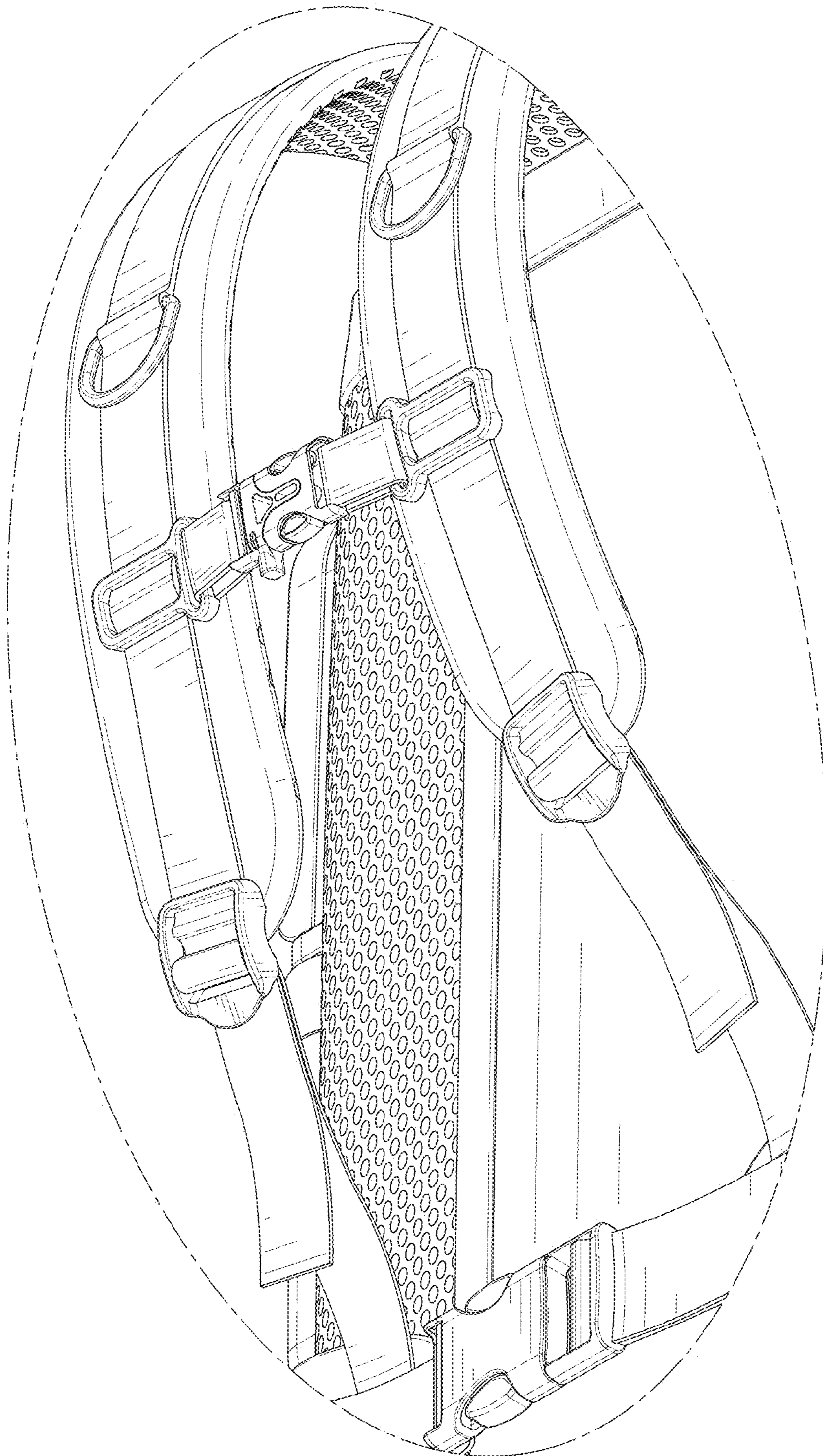


FIG. 10