

US00D944512S

(12) **United States Design Patent**
Alexander

(10) **Patent No.:** **US D944,512 S**
(45) **Date of Patent:** **** Mar. 1, 2022**

(54) **THREAD SPOOL WITH NEEDLE HOLDER AND DISPENSER**

(71) Applicant: **LeAna Dajune Alexander**, Sherman Oaks, CA (US)

(72) Inventor: **LeAna Dajune Alexander**, Sherman Oaks, CA (US)

(**) Term: **15 Years**

(21) Appl. No.: **29/703,144**

(22) Filed: **Aug. 23, 2019**

(51) **LOC (13) Cl.** **02-07**

(52) **U.S. Cl.**
USPC **D3/24**

(58) **Field of Classification Search**
USPC D3/18, 20, 28, 23, 24, 26; D15/66, 67, D15/68, 69, 70, 71, 72, 73, 74, 75, 76, D15/77, 78
CPC D05B 85/00; D05B 85/02; D03D 27/10; D03D 39/16
See application file for complete search history.

(56) **References Cited**

U.S. PATENT DOCUMENTS

- 489,593 A * 1/1893 Ramer A47B 41/00 312/280
- 623,292 A * 4/1899 Sell D05B 91/14 223/107
- 631,141 A * 8/1899 Weinberg B65H 35/0006 225/80
- 666,182 A * 1/1901 Cardwell 242/141
- 1,061,590 A * 5/1913 Bennet D05B 91/14 223/106
- D81,215 S * 5/1930 Vogl D3/24
- 1,793,980 A * 2/1931 Weinstein A01K 97/16 242/401
- 1,976,242 A * 10/1934 McGee A01K 97/16 242/396.6

- 2,964,252 A * 12/1960 Rosenberg B65H 54/2869 242/447.3
- 3,026,835 A * 3/1962 Hall D05B 69/28 112/221
- 4,203,561 A * 5/1980 Stillings B65H 54/60 242/486.9

(Continued)

OTHER PUBLICATIONS

“HAND U JOURNEY Wooden Spools Holder with 3 Thread Spool/Multifunctional Beech Thread Rack Organizer for Macrame Weaving Cord/String, Sewing Threads or Wool Yarn” [online]. HAND U JOURNEY. [Product first available on May 6, 2021]. Retrieved from the Internet: <<https://www.amazon.com/dp/B0948R9QB7/>>.*

Primary Examiner — Mojtaba Tehrani
(74) *Attorney, Agent, or Firm* — Quickpatents, LLC; Kevin Prince

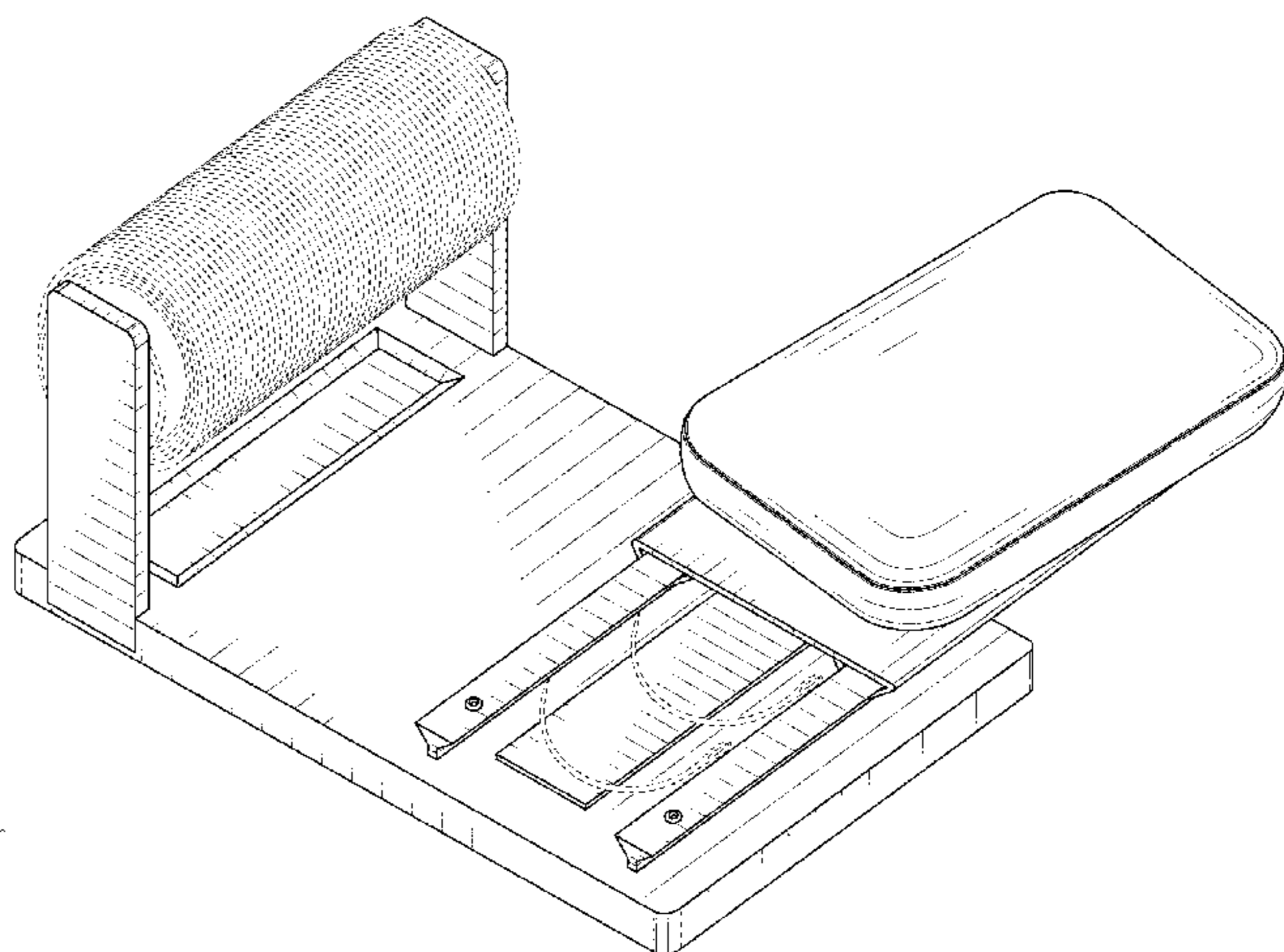
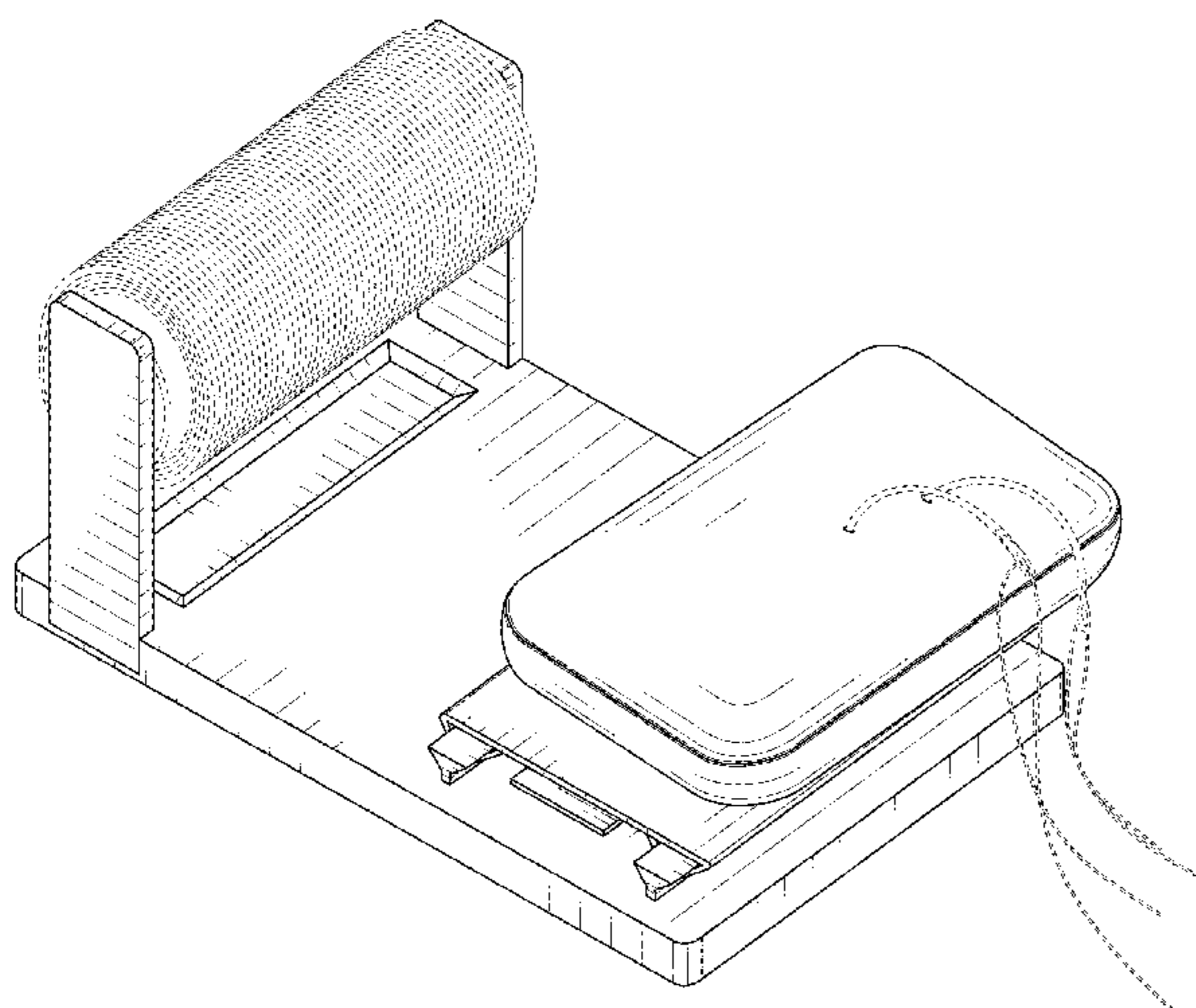
(57) **CLAIM**

The ornamental design for a thread spool with needle holder and dispenser, as shown and described.

DESCRIPTION

FIG. 1 is a top perspective view of a thread spool with needle holder and dispenser, showing my new design; FIG. 2 is an alternate top perspective view thereof, illustrated with a cushion slide moved away from a base to reveal a magnet needle holder; FIG. 3 is a front elevational view thereof; FIG. 4 is a rear elevational view thereof; FIG. 5 is a left-side elevational view thereof, the right-side elevational view being a mirror image thereof; FIG. 6 is a top plan view thereof; FIG. 7 is a bottom plan view thereof; and, FIG. 8 is a bottom perspective view thereof. The broken lines showing a spool of thread and needles in FIGS. 1 and 2 depict environmental matter and form no part of the claimed design.

1 Claim, 7 Drawing Sheets



(56)

References Cited

U.S. PATENT DOCUMENTS

5,193,474 A * 3/1993 Urai D05B 35/08
112/163
D345,857 S * 4/1994 Franke D3/24
9,693,545 B1 * 7/2017 McIntyre A01K 89/003
D902,058 S * 11/2020 Dobek D10/65

* cited by examiner

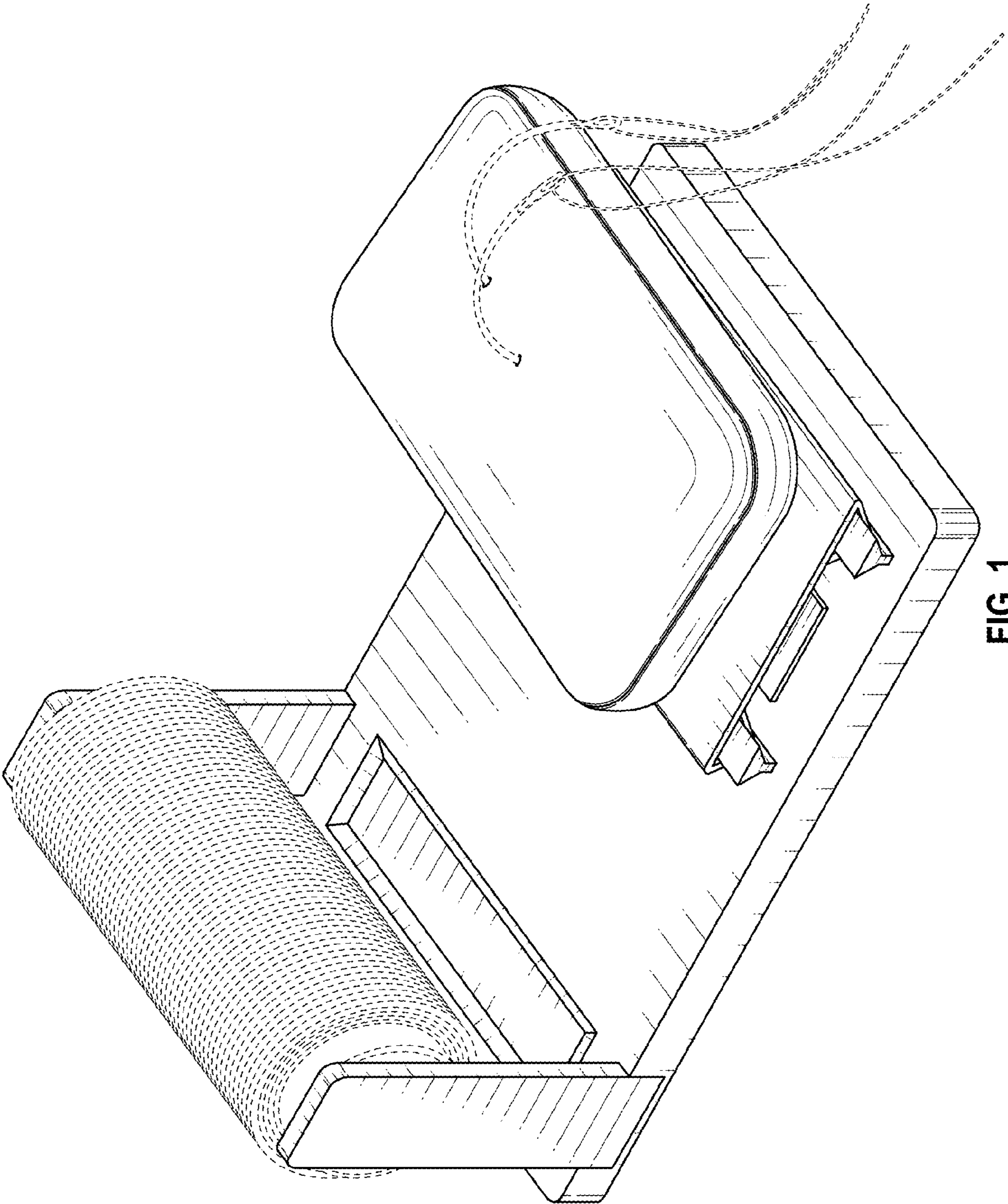


FIG. 1

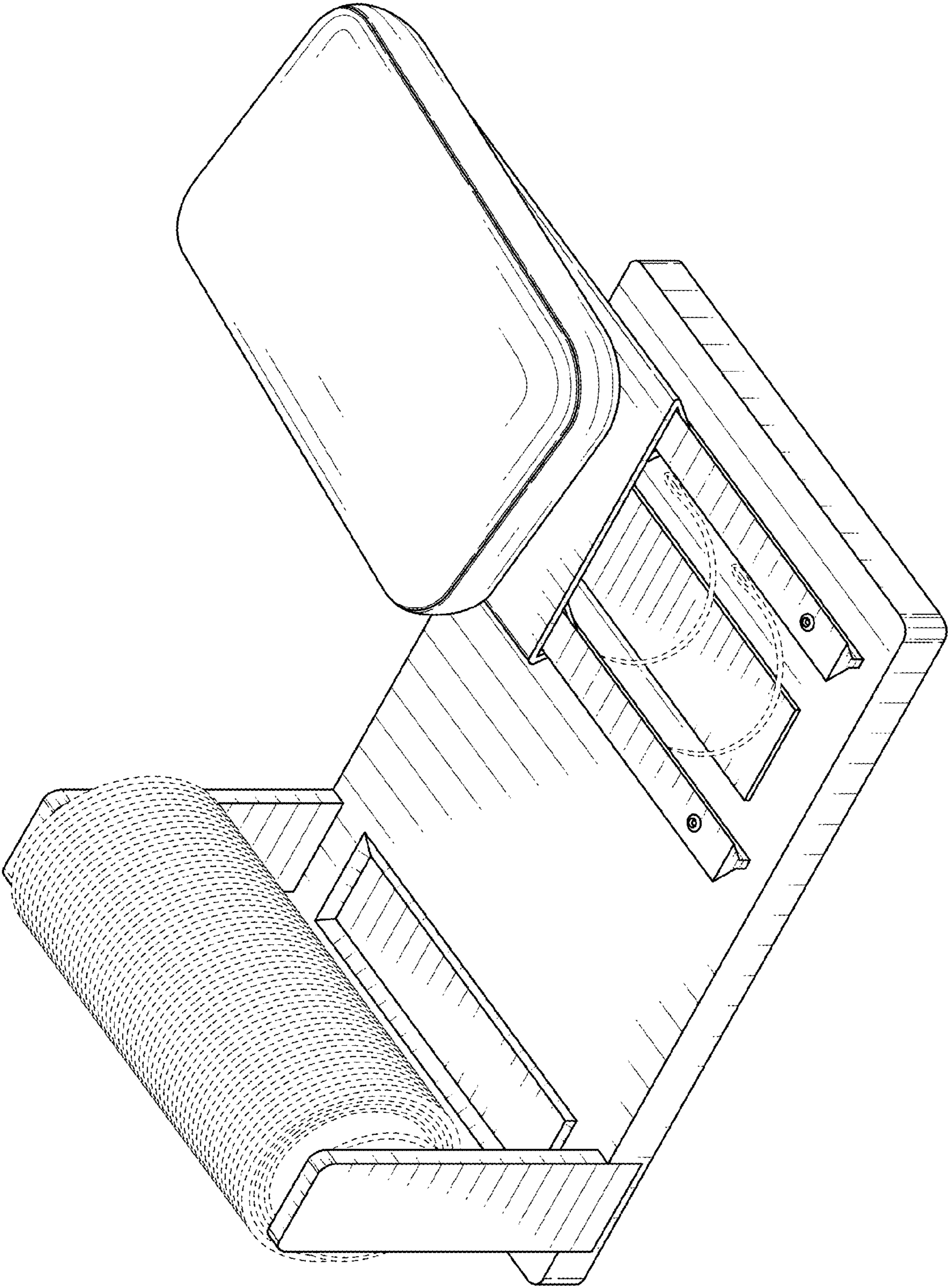


FIG. 2

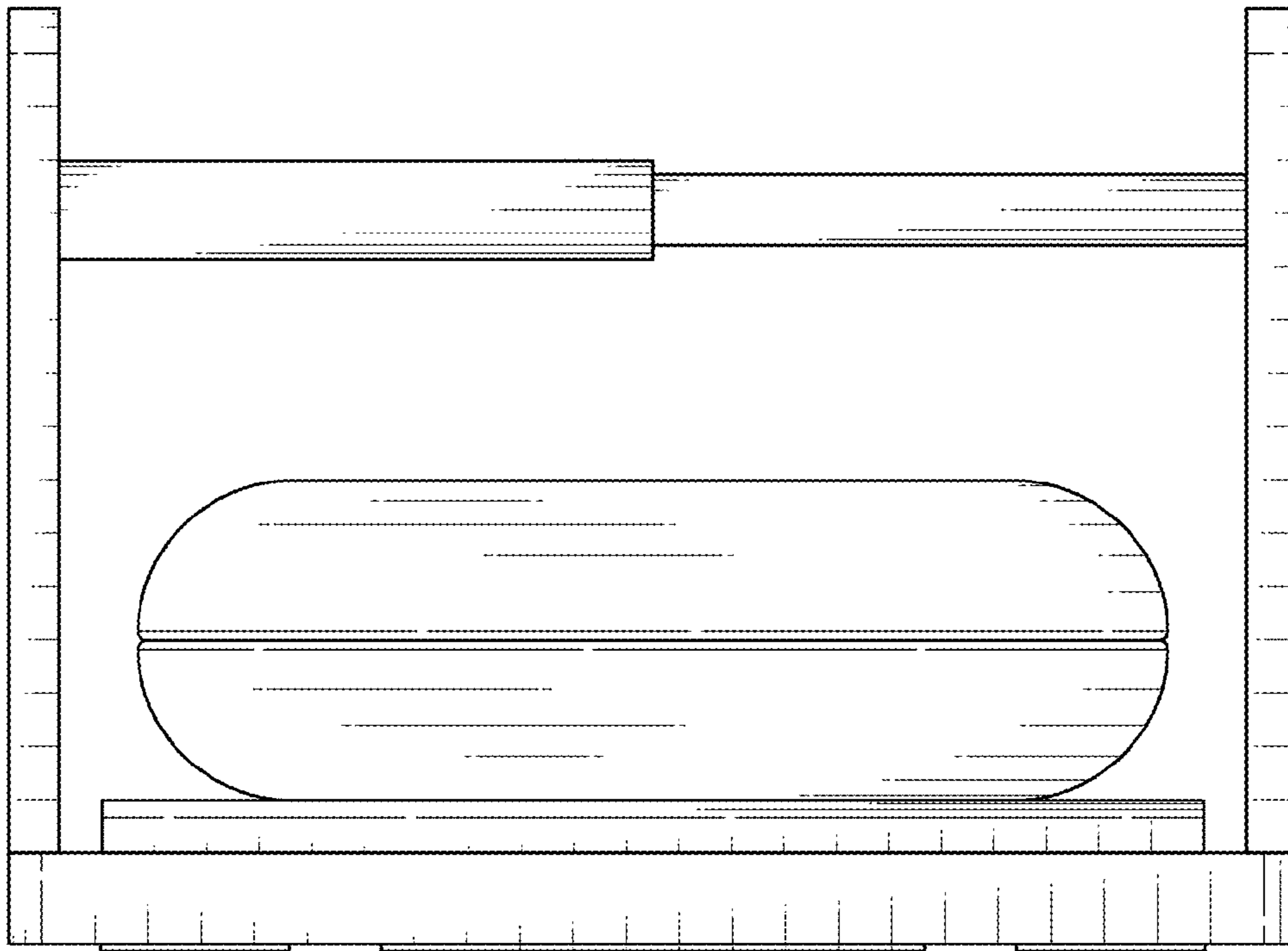


FIG. 3

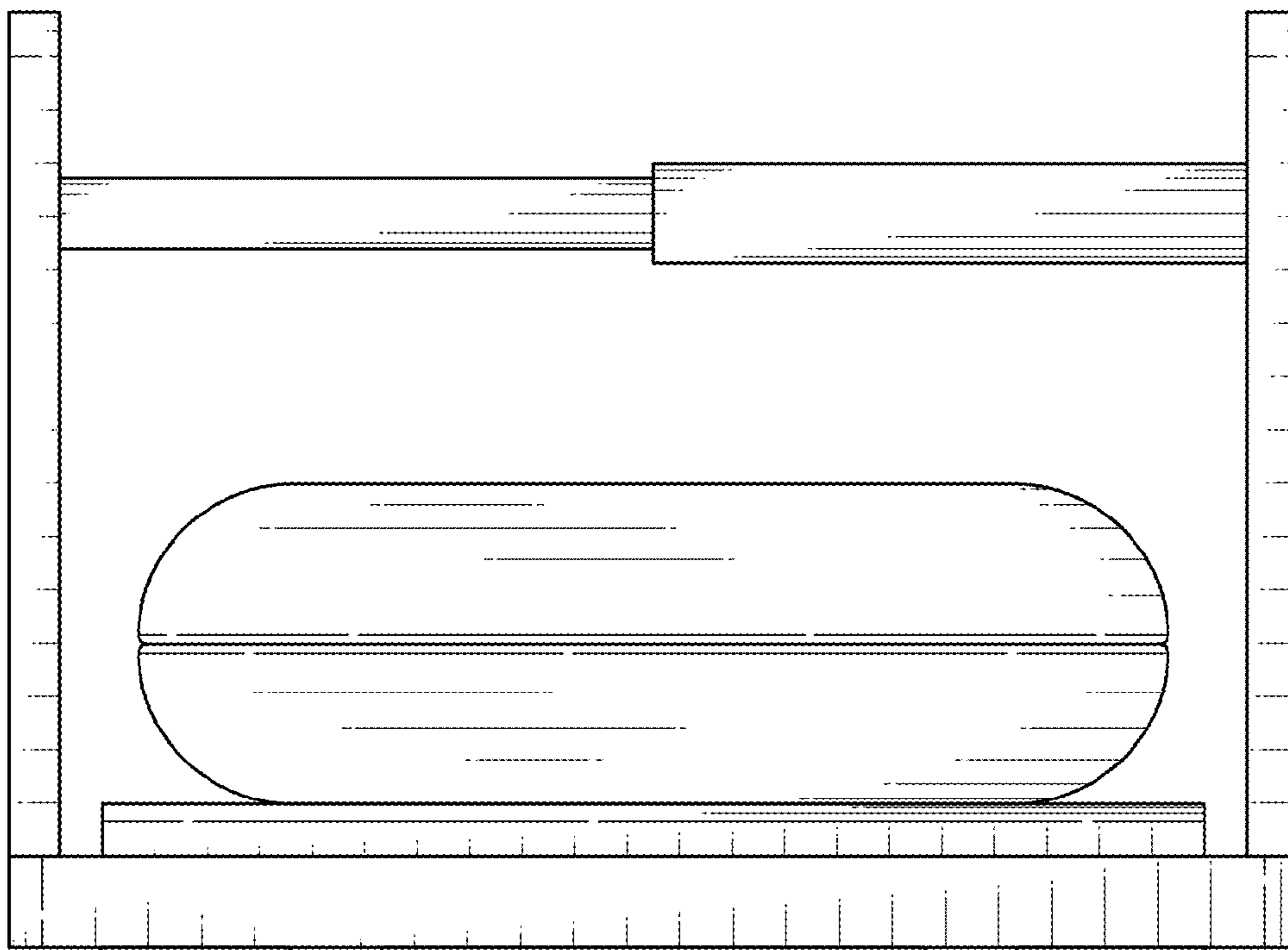


FIG. 4

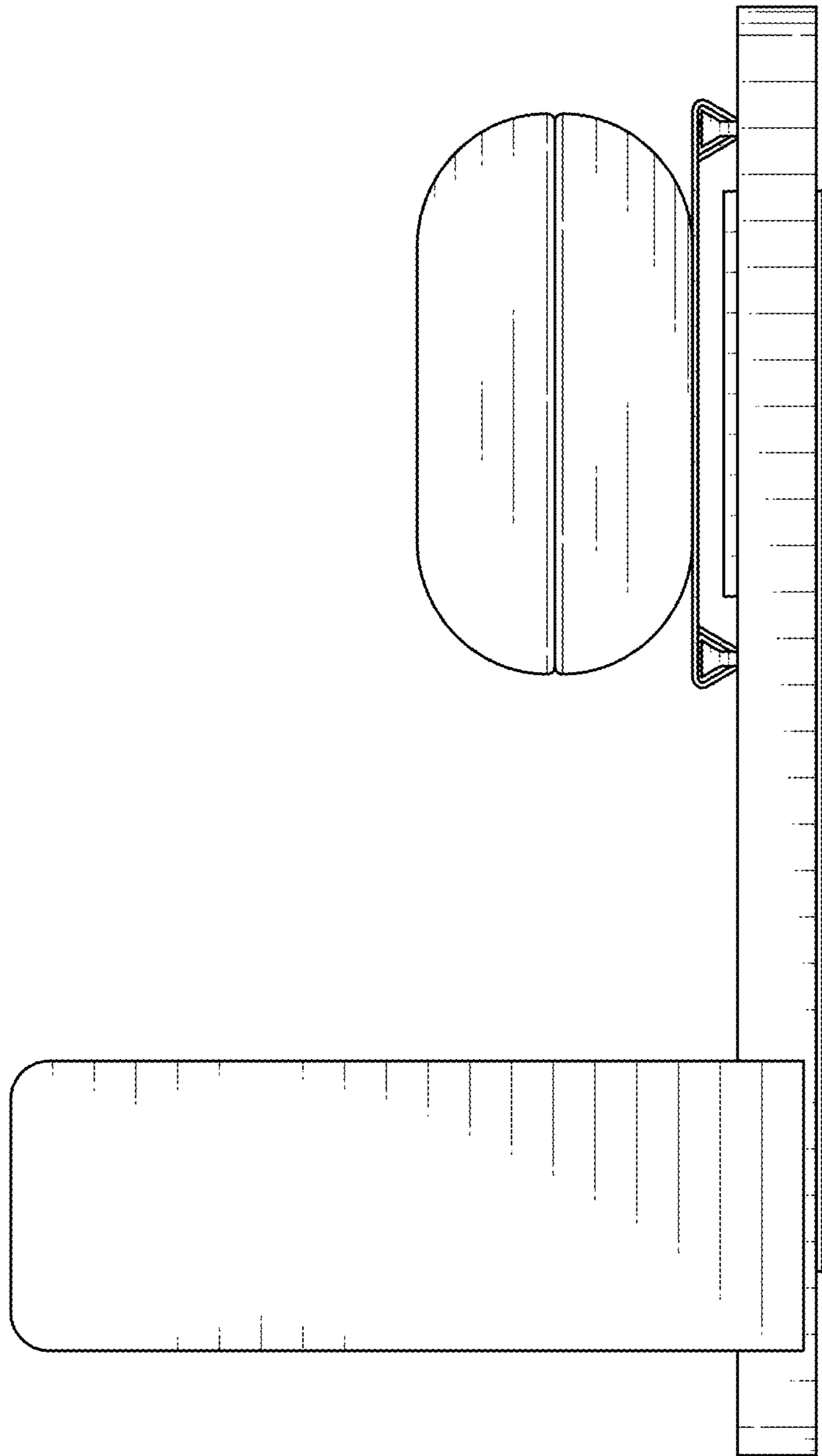


FIG. 5

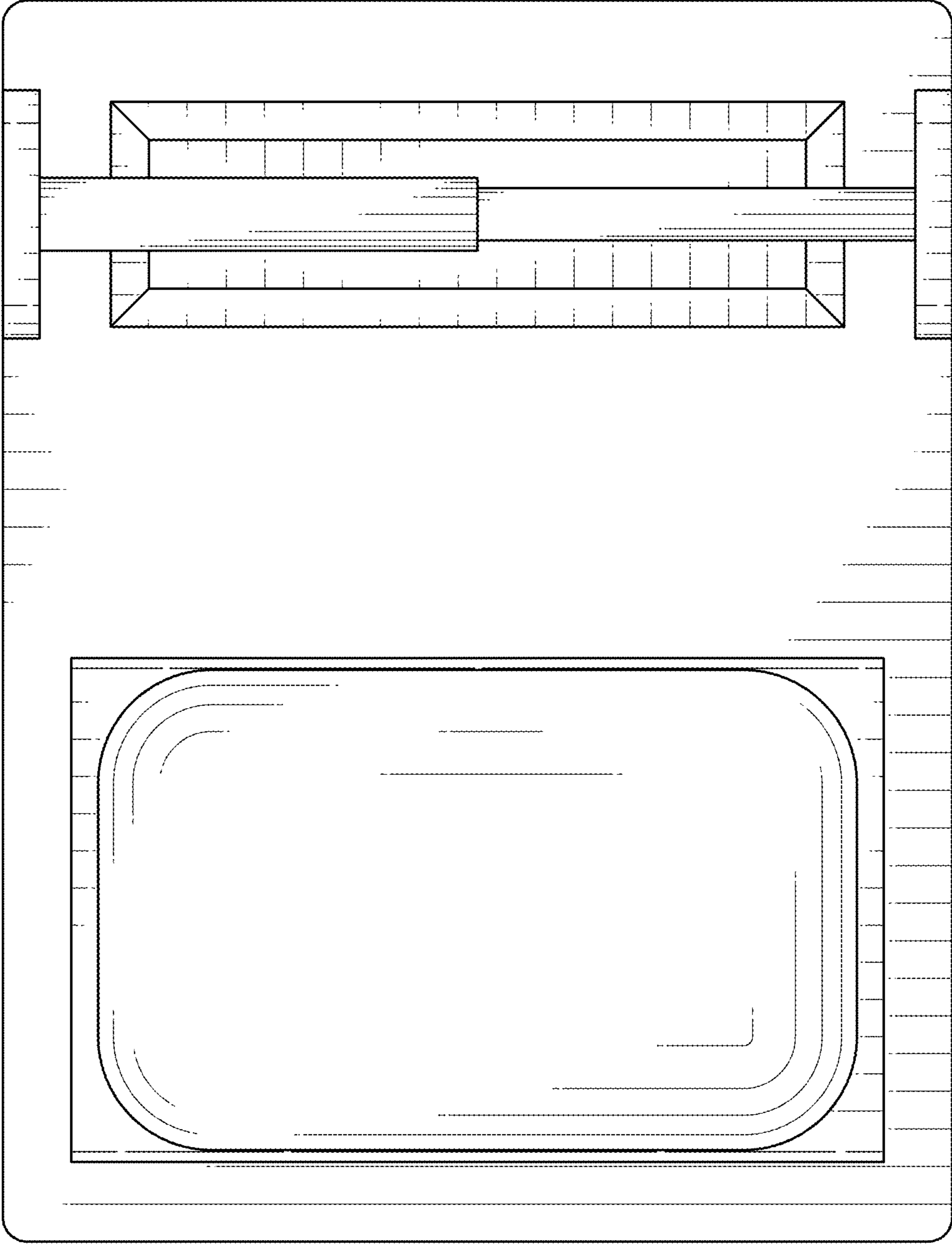


FIG. 6

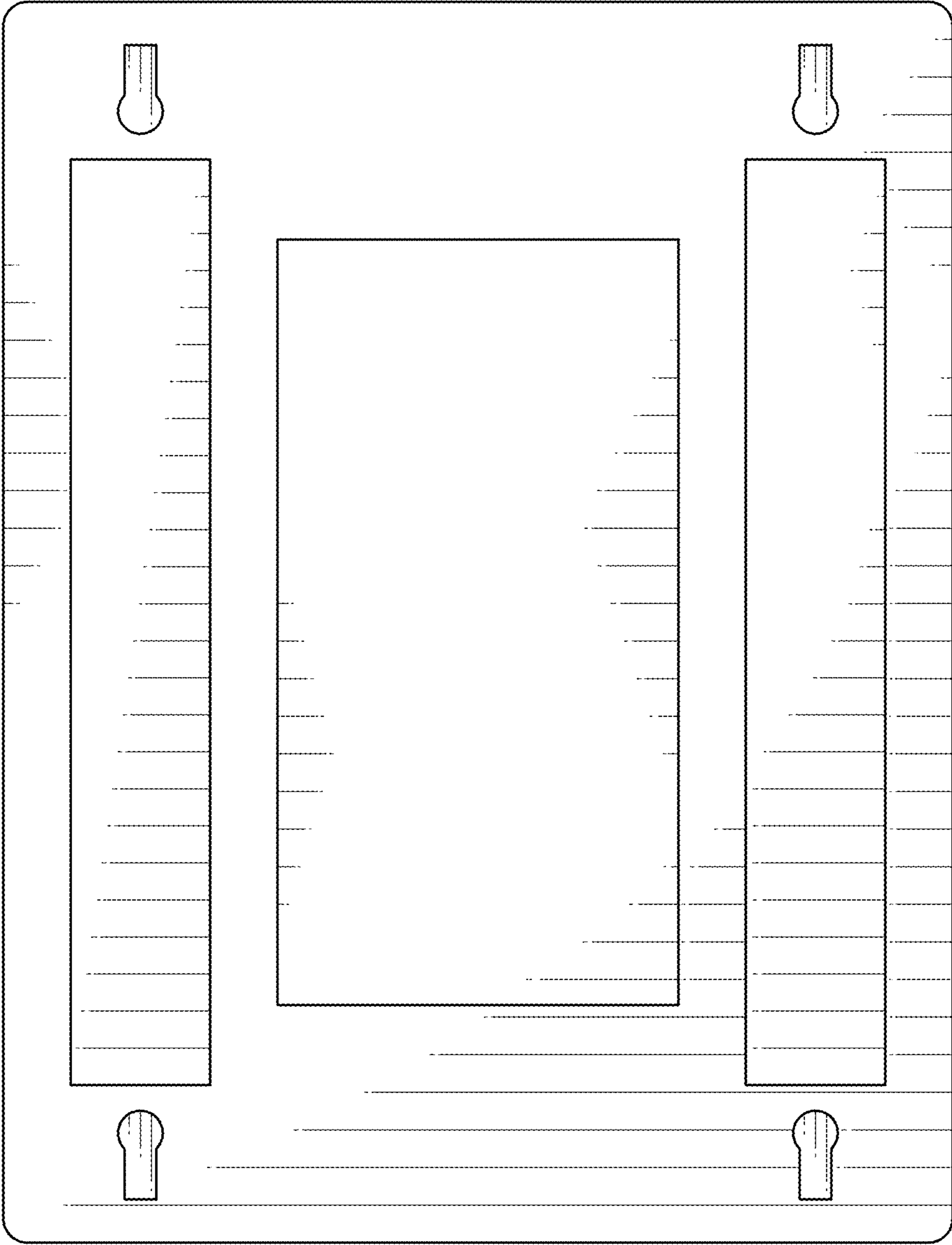


FIG. 7

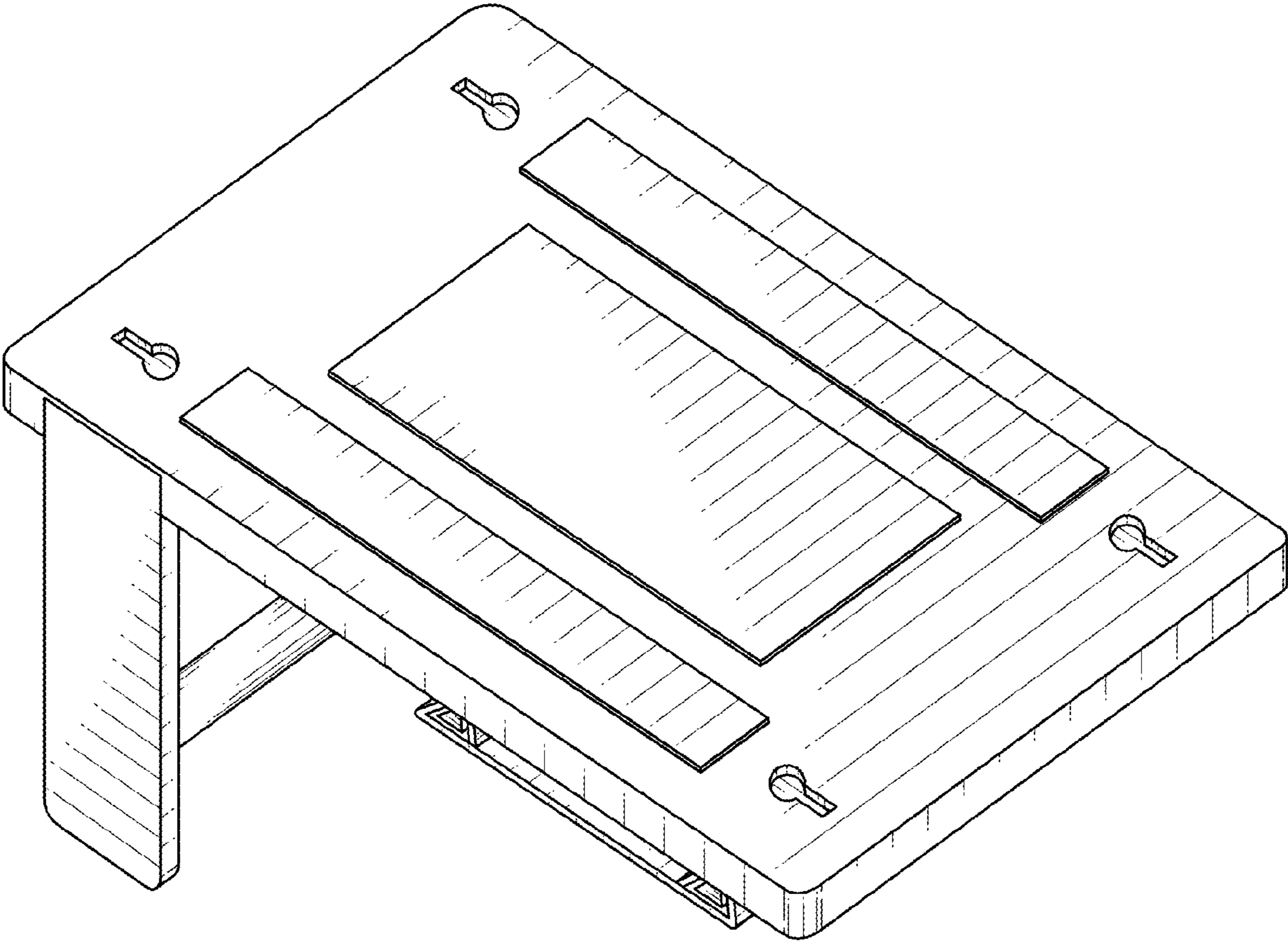


FIG. 8