

US00D944511S

(12) **United States Design Patent**
Gershwin

(10) **Patent No.:** **US D944,511 S**
(45) **Date of Patent:** **** Mar. 1, 2022**

(54) **CANE**
(71) Applicant: **Orthoglam Inc.**, Beverly Hills, CA
(US)
(72) Inventor: **Nancy Gershwin**, Beverly Hills, CA
(US)
(**) Term: **15 Years**
(21) Appl. No.: **29/724,591**
(22) Filed: **Feb. 18, 2020**
(51) **LOC (13) Cl.** **03-03**
(52) **U.S. Cl.**
USPC **D3/7**
(58) **Field of Classification Search**
USPC D3/5, 6, 7, 10
CPC A45B 9/00; A45B 9/02; A45B 9/04; A45B
7/00; A45B 2009/007; A45B 7/005
See application file for complete search history.

8,439,057 B2 * 5/2013 Parry A45B 9/02
135/66
8,479,755 B2 * 7/2013 Hung A61H 3/00
135/75
8,499,776 B2 * 8/2013 Ban A63C 11/221
135/75
D690,927 S * 10/2013 Jones D3/7
D693,565 S * 11/2013 Chan D3/7
D698,140 S * 1/2014 Parker D3/7
8,851,094 B2 * 10/2014 Kuma A45B 9/04
135/77
9,386,830 B2 * 7/2016 Crowhurst A45B 9/00
9,512,865 B2 * 12/2016 Wang A45B 3/06
9,681,714 B1 * 6/2017 Yeh A45B 9/02
D807,022 S * 1/2018 Conley D3/7
10,004,306 B1 * 6/2018 Randel, Jr. A45B 9/02
D831,950 S * 10/2018 Minster D3/7
10,092,067 B2 * 10/2018 Van Varick A45B 9/00
10,188,183 B1 * 1/2019 Swerdlow A45B 9/02
10,575,607 B2 * 3/2020 Bullard A45B 9/04
10,631,600 B2 * 4/2020 Moyo A45B 9/02

(Continued)

Primary Examiner — Steven J Czyn
(74) Attorney, Agent, or Firm — Narek Zohrabyan

(56) **References Cited**
U.S. PATENT DOCUMENTS

D290,784 S * 7/1987 Moshiri D3/7
D358,022 S * 5/1995 Williams D3/15
D427,763 S * 7/2000 Kikuchi D3/7
D441,950 S * 5/2001 Suen D3/7
D465,914 S * 11/2002 Hayden D3/7
6,516,821 B1 * 2/2003 Uemura A45B 9/00
135/139
6,595,226 B2 * 7/2003 Uemura A45B 9/00
135/69
D555,350 S * 11/2007 Graves D3/7
D620,696 S * 8/2010 Alacar, Jr D3/7
D622,497 S * 8/2010 Branton D3/7
D622,953 S * 9/2010 Lai D3/10
D624,303 S * 9/2010 Jones D3/7
7,841,353 B2 * 11/2010 Lee A45B 9/00
135/74

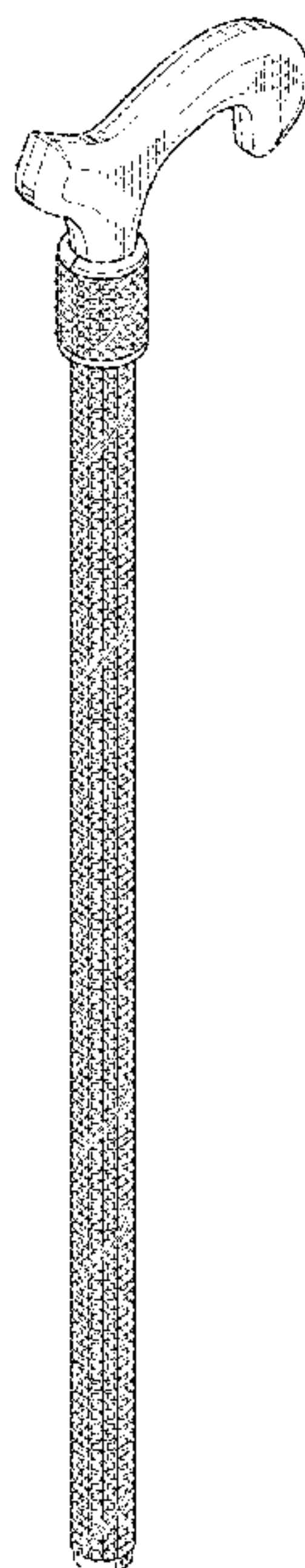
(57) **CLAIM**

The ornamental design for a cane, as shown and described.

DESCRIPTION

FIG. 1 is a top, front, right side perspective view of a cane;
FIG. 2 is an enlarged perspective view of the cane taken
from FIG. 1;
FIG. 3 is a front elevation view of the cane;
FIG. 4 is a left side elevation view of the cane;
FIG. 5 is a rear elevation view of the cane;
FIG. 6 is a right side elevation view of the cane;
FIG. 7 is a top plan view of the cane; and,
FIG. 8 is a bottom plan view of the cane.

1 Claim, 4 Drawing Sheets



(56)

References Cited

U.S. PATENT DOCUMENTS

D887,697 S * 6/2020 Smith A45B 9/00
D3/7
D888,407 S * 6/2020 Dash A45B 9/00
D3/7
D894,585 S * 9/2020 Ye D3/7
D898,340 S * 10/2020 Cindrich D3/7
10,863,803 B2 * 12/2020 Strum A45B 9/04
D909,742 S * 2/2021 Doherty D3/7
10,986,903 B2 * 4/2021 Liu F16B 7/105
2008/0289669 A1 * 11/2008 Chiu A45B 9/00
135/65
2012/0067385 A1 * 3/2012 Senatro A45B 9/00
135/75

* cited by examiner

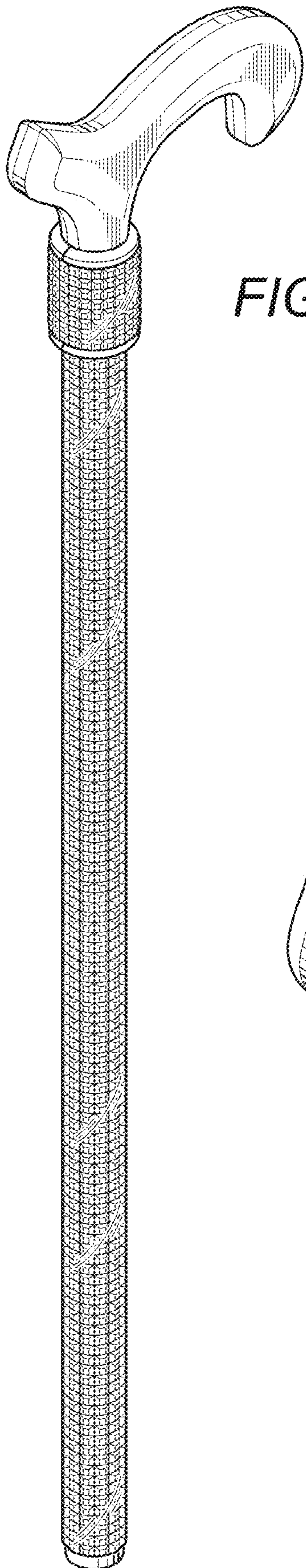


FIG. 1

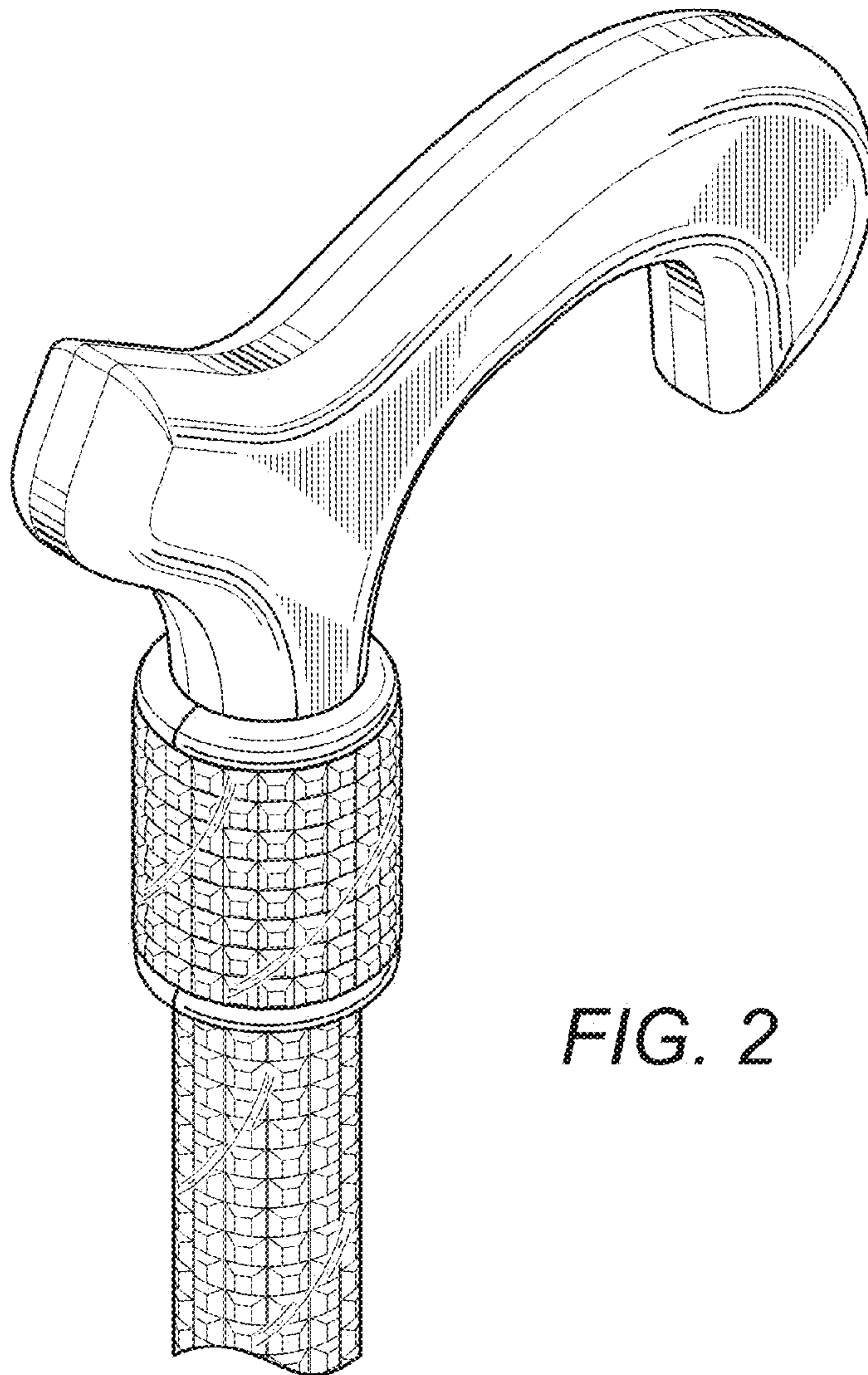


FIG. 2

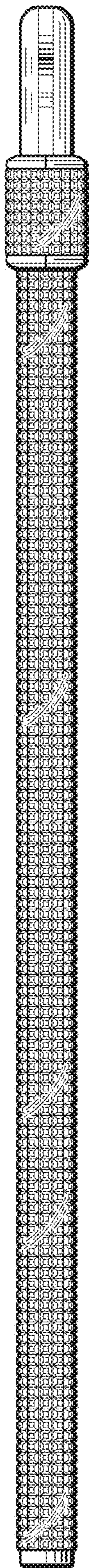


FIG. 3

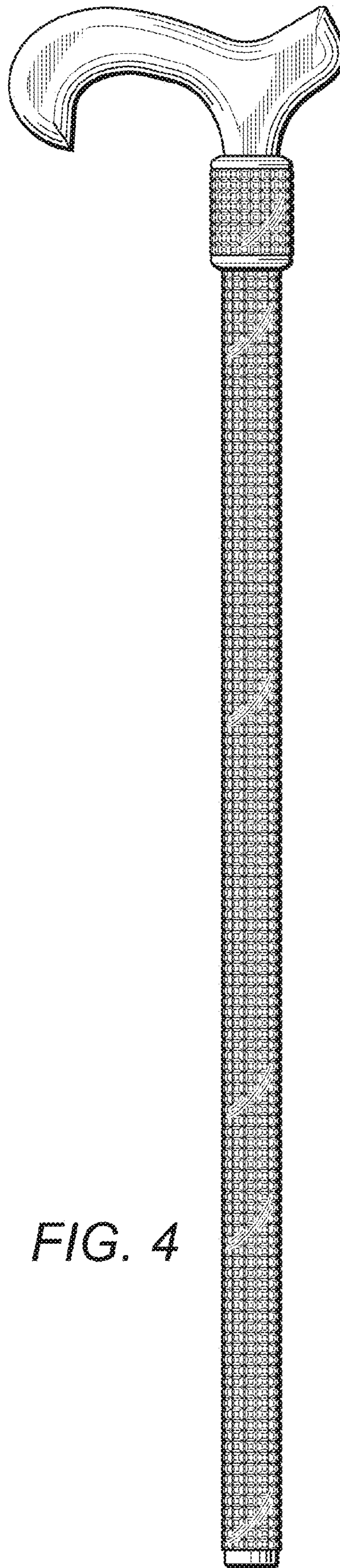


FIG. 4

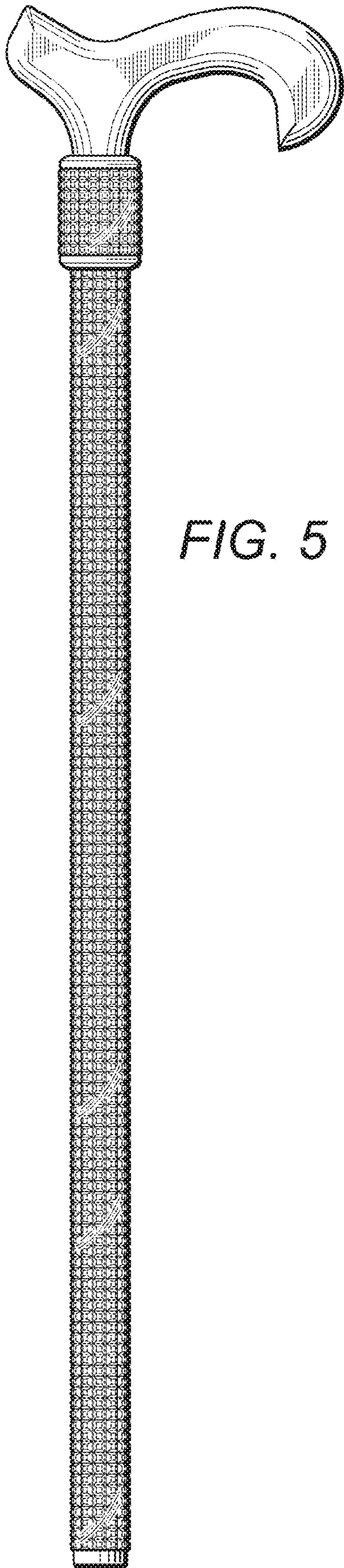


FIG. 5

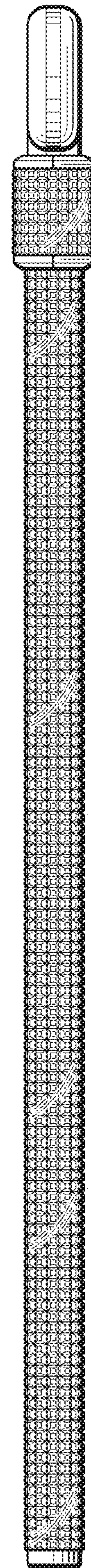


FIG. 6

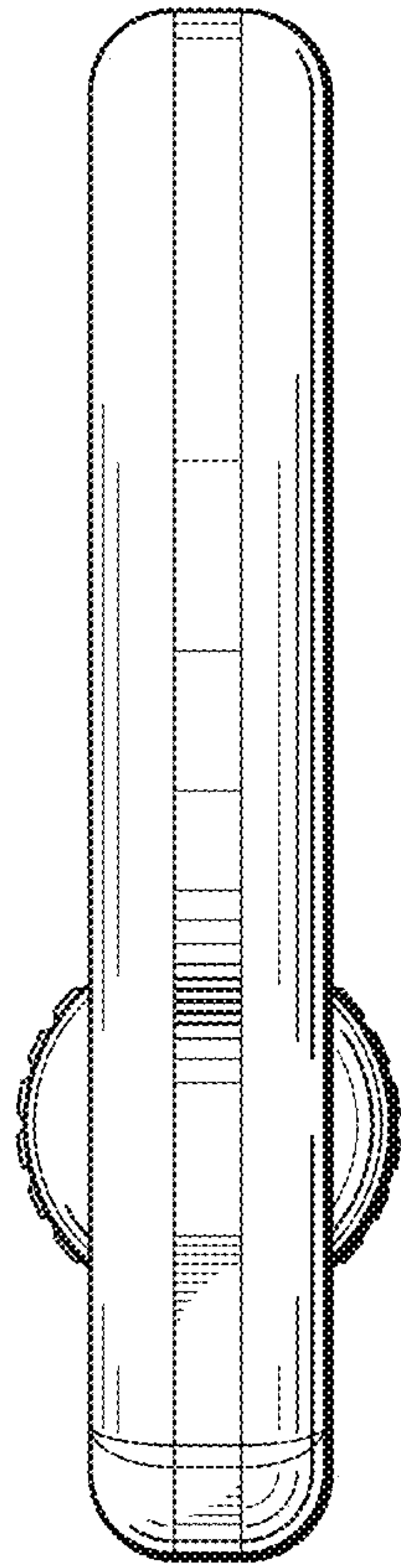


FIG. 7

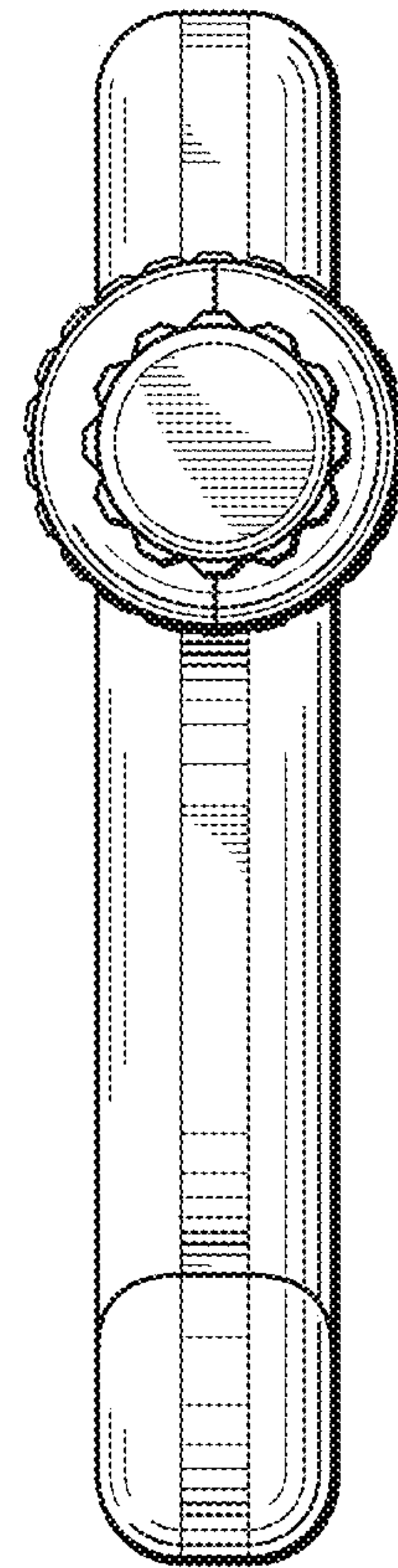


FIG. 8