



US00D944507S

(12) **United States Design Patent**
Lehner

(10) **Patent No.:** **US D944,507 S**
(45) **Date of Patent:** **** Mar. 1, 2022**

- (54) **OUTSOLE**
- (71) Applicant: **Rene Lehner**, Perth (AU)
- (72) Inventor: **Rene Lehner**, Perth (AU)
- (73) Assignee: **Footwear Industries Pty Ltd**, Malaga (AU)
- (**) Term: **15 Years**
- (21) Appl. No.: **29/726,504**
- (22) Filed: **Mar. 3, 2020**

D305,278 S *	1/1990	Kiyosawa	D2/954
D316,930 S *	5/1991	Bernasconi	D2/957
D392,449 S *	3/1998	Worthington	D2/957
D404,549 S *	1/1999	Greenberg	D2/956
D433,214 S *	11/2000	McDowell	D2/947
D433,790 S *	11/2000	Oliver	D2/947
D436,432 S *	1/2001	Gams	D2/947
D441,946 S *	5/2001	Agnew	D2/953
D464,477 S *	10/2002	Adams	D2/951
D473,042 S *	4/2003	Wilson	D2/953
D475,183 S *	6/2003	McClaskie	D2/951
D478,717 S *	8/2003	Adams	D2/951
D496,525 S *	9/2004	Dykstra	D2/957
D504,205 S *	4/2005	Andrews-Kramer	D2/953

(Continued)

(30) **Foreign Application Priority Data**

Sep. 3, 2019 (AU) 201915072

(51) **LOC (13) Cl.** **02-04**

(52) **U.S. Cl.**
USPC **D2/957; D2/947; D2/951; D2/956;**
D2/960

(58) **Field of Classification Search**

USPC D2/902, 906, 908, 916, 918, 925,
D2/946-962, 977; 36/3 B, 22 R, 24.5,
36/25 R, 28, 32 R, 34 R, 59 C, 67 A, 103
CPC A43B 13/00; A43B 13/02; A43B 13/023;
A43B 13/026; A43B 13/04; A43B 13/08;
A43B 13/10; A43B 13/12; A43B 13/14;
A43B 13/141; A43B 13/143; A43B
13/16; A43B 13/18; A43B 13/181; A43B
13/187; A43B 13/189; A43B 13/20; A43B
13/22; A43B 13/223; A43B 13/24; A43B
13/28; A43B 13/30; A43B 13/32; A43B
13/34; A43B 13/36

See application file for complete search history.

(56) **References Cited**

U.S. PATENT DOCUMENTS

D273,246 S *	4/1984	Tonkel	D2/956
D294,423 S *	3/1988	Zuidema	D2/954

OTHER PUBLICATIONS

U.S. Appl. No. 29/726,502, filed Mar. 3, 2020, Lehner.

Primary Examiner — T Chase Nelson

(74) *Attorney, Agent, or Firm* — Wolf, Greenfield & Sacks, P.C.

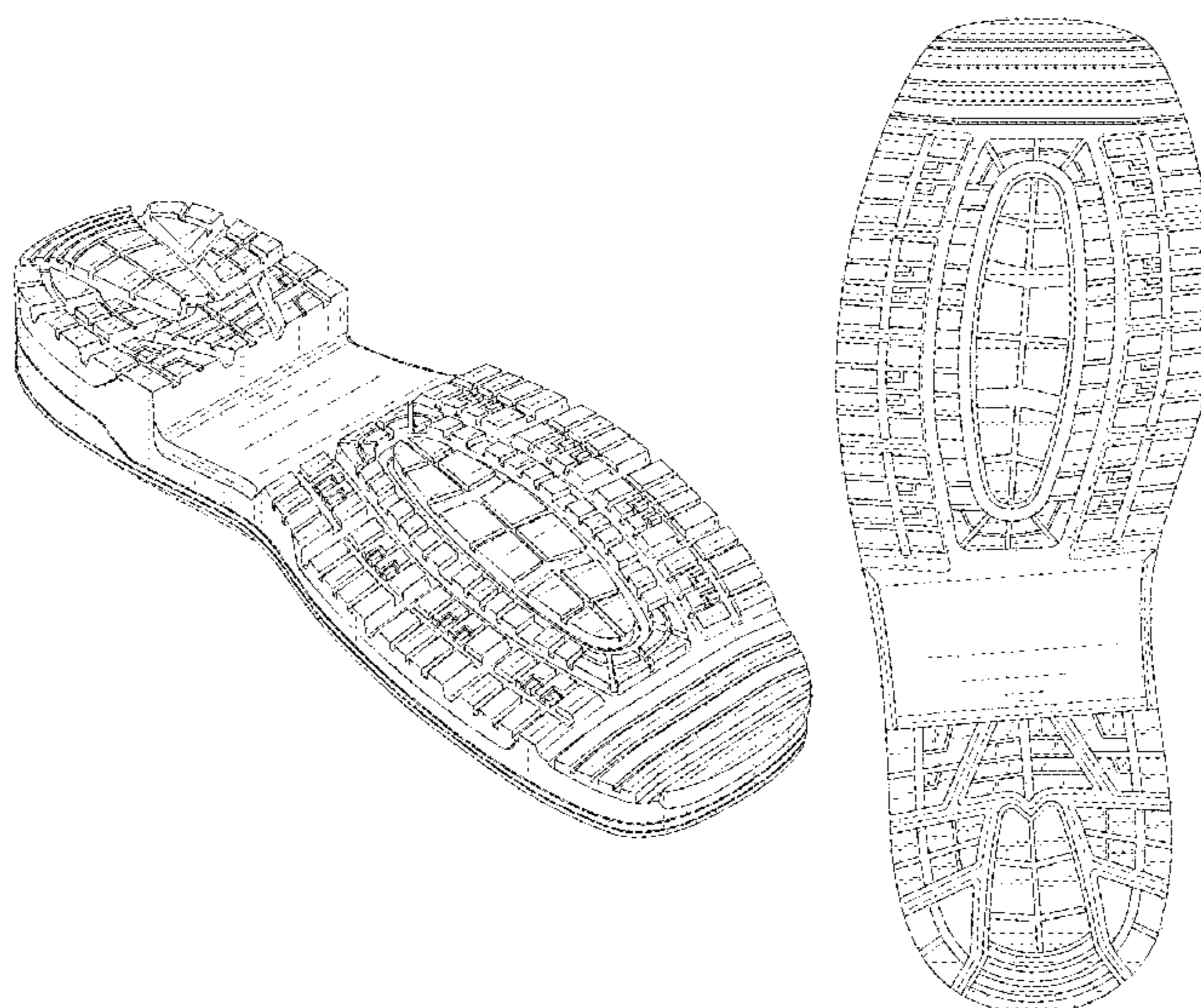
(57) **CLAIM**

The ornamental design for an outsole, as shown and described.

DESCRIPTION

FIG. 1 is a bottom, front, and right side perspective view of an outsole according to our new design;
FIG. 2 is a front elevation view thereof;
FIG. 3 is a rear elevation view thereof;
FIG. 4 is a left side elevation view thereof;
FIG. 5 is a right side elevation view thereof;
FIG. 6 is a top plan view thereof; and,
FIG. 7 is a bottom plan view thereof.
The broken lines shown in FIGS. 1-5 show portions of the outsole that form no part of the claimed design. The broken lines and unshaded inner surfaces in the FIG. 6 view show portions of the outsole that form no part of the claimed design.

1 Claim, 7 Drawing Sheets



(56)

References Cited

U.S. PATENT DOCUMENTS

D505,249	S	*	5/2005	Urie	D2/953
D520,721	S	*	5/2006	White	D2/957
D550,431	S	*	9/2007	Schoenborn	D2/952
D607,633	S	*	1/2010	Mongelli	D2/947
D608,534	S	*	1/2010	Bullard	D2/947
D638,210	S	*	5/2011	Del Biondi	D2/960
D655,902	S	*	3/2012	Debiase	D2/957
D656,304	S	*	3/2012	Debiase	D2/960
D680,720	S	*	4/2013	Smith	D2/947
D680,727	S	*	4/2013	Smith	D2/960
D706,524	S	*	6/2014	Smith	D2/960
D737,558	S	*	9/2015	Bizzo	D2/960
D801,658	S	*	11/2017	Huard	D2/960
D847,478	S	*	5/2019	Fracassi	D2/957
D848,124	S	*	5/2019	Sassi	D2/908
D852,485	S	*	7/2019	Gress	D2/960
D854,300	S	*	7/2019	Evans	D2/957
D879,423	S	*	3/2020	Engel	D2/947
D886,428	S	*	6/2020	Natowich McPhee	D2/960
D891,061	S	*	7/2020	Nelson	D2/957
D912,376	S	*	3/2021	Rao	D2/947
2008/0148598	A1	*	6/2008	Schoenborn	A43B 13/181 36/28
2014/0101816	A1		4/2014	Toronjo	

* cited by examiner

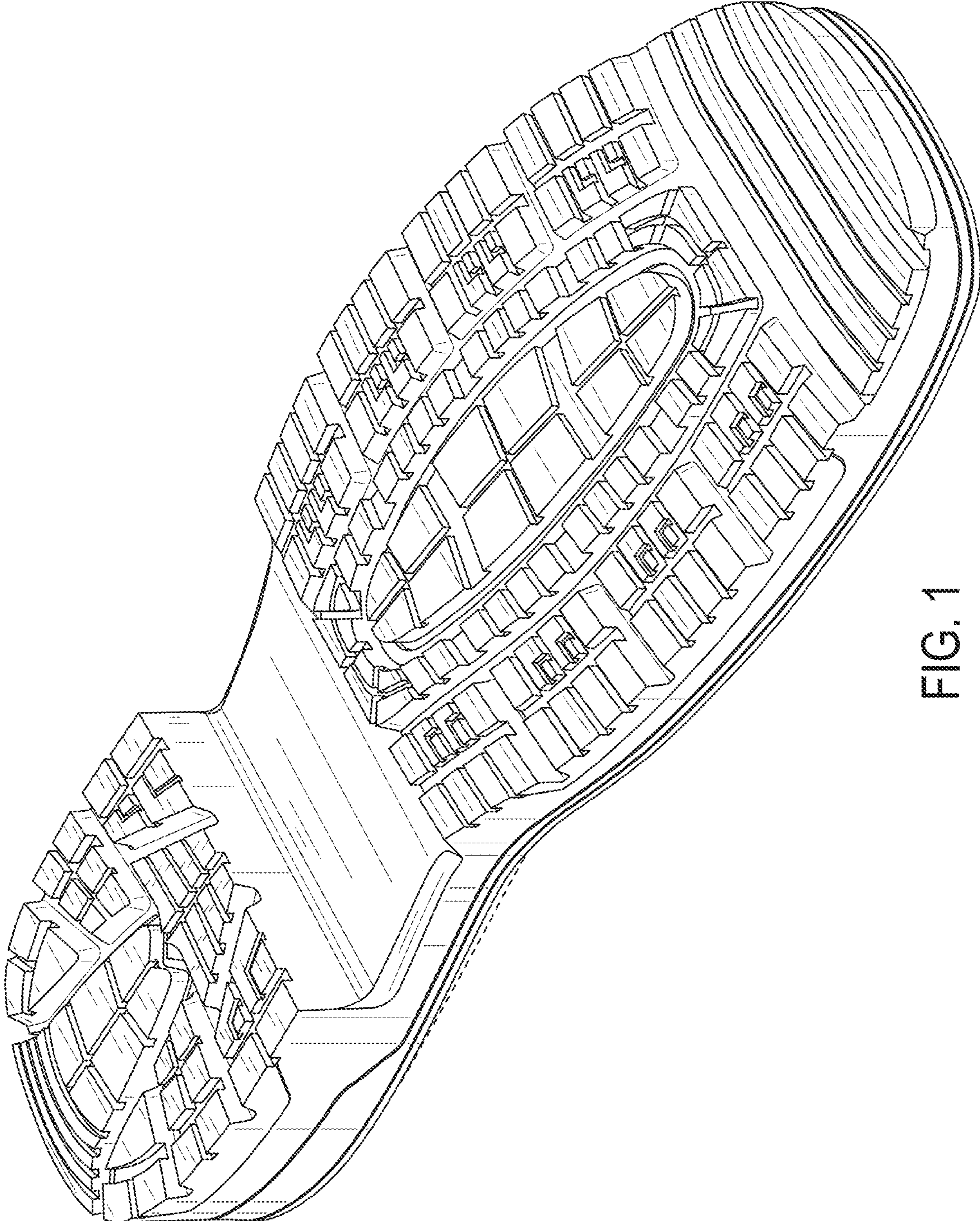


FIG. 1

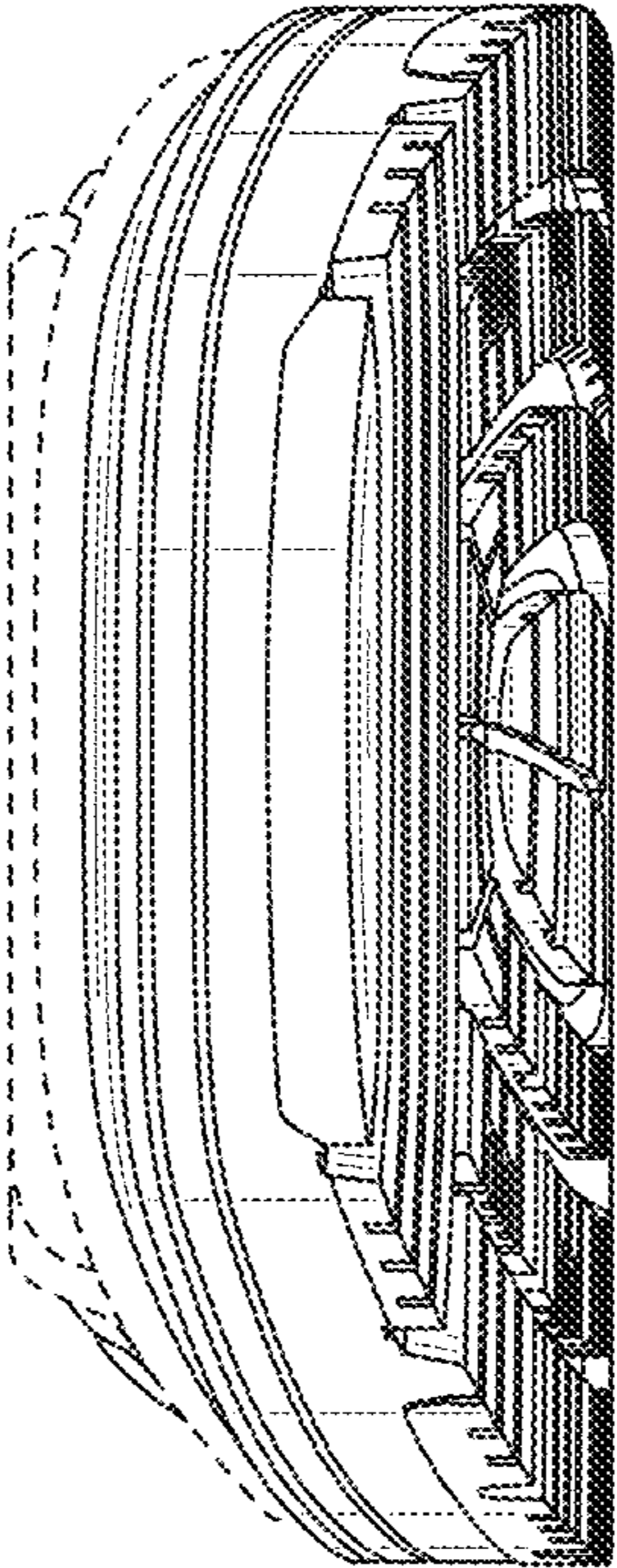


FIG. 2

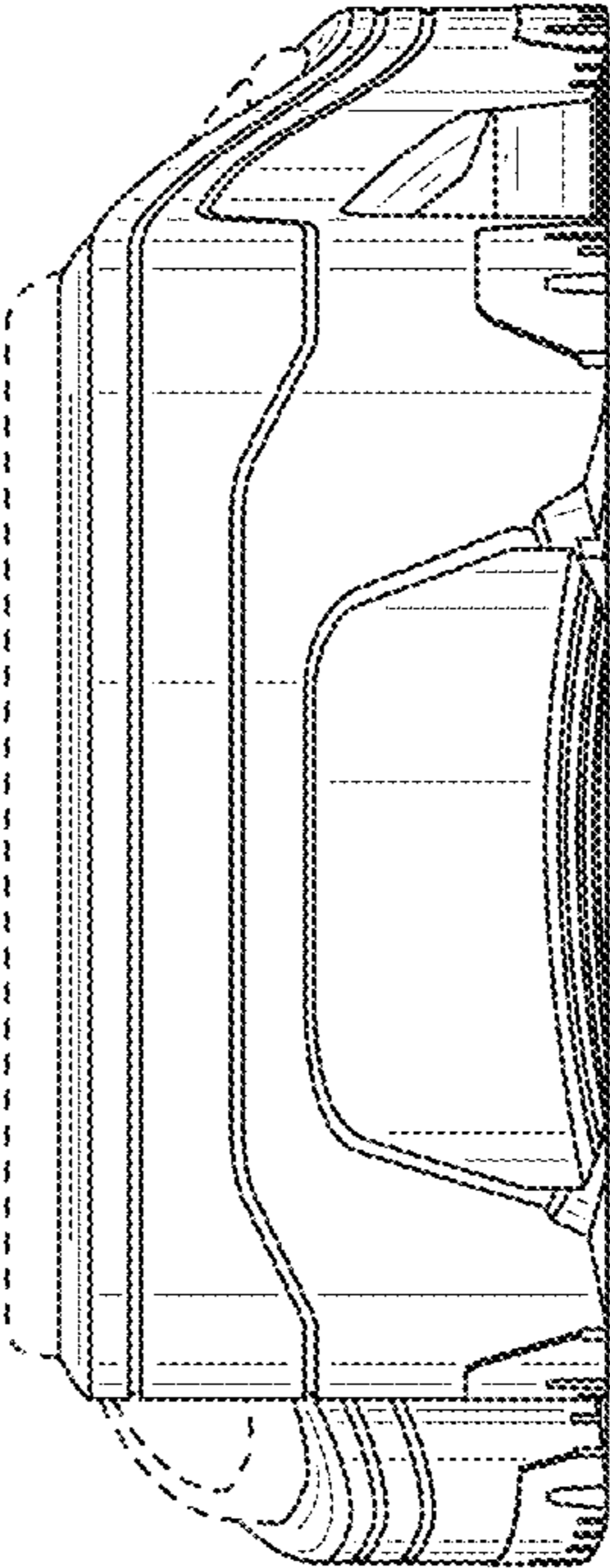


FIG. 3

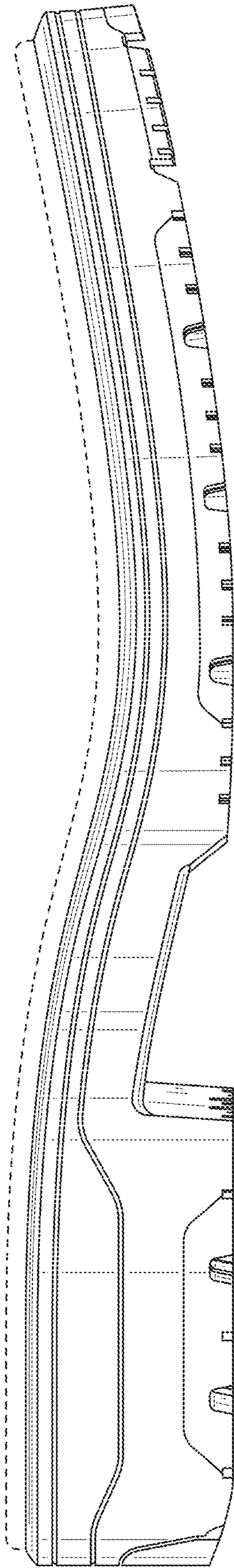


FIG. 4

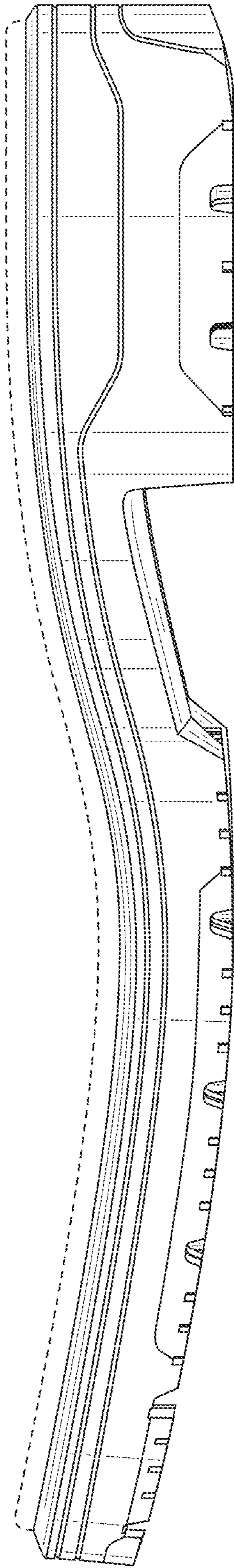


FIG. 5

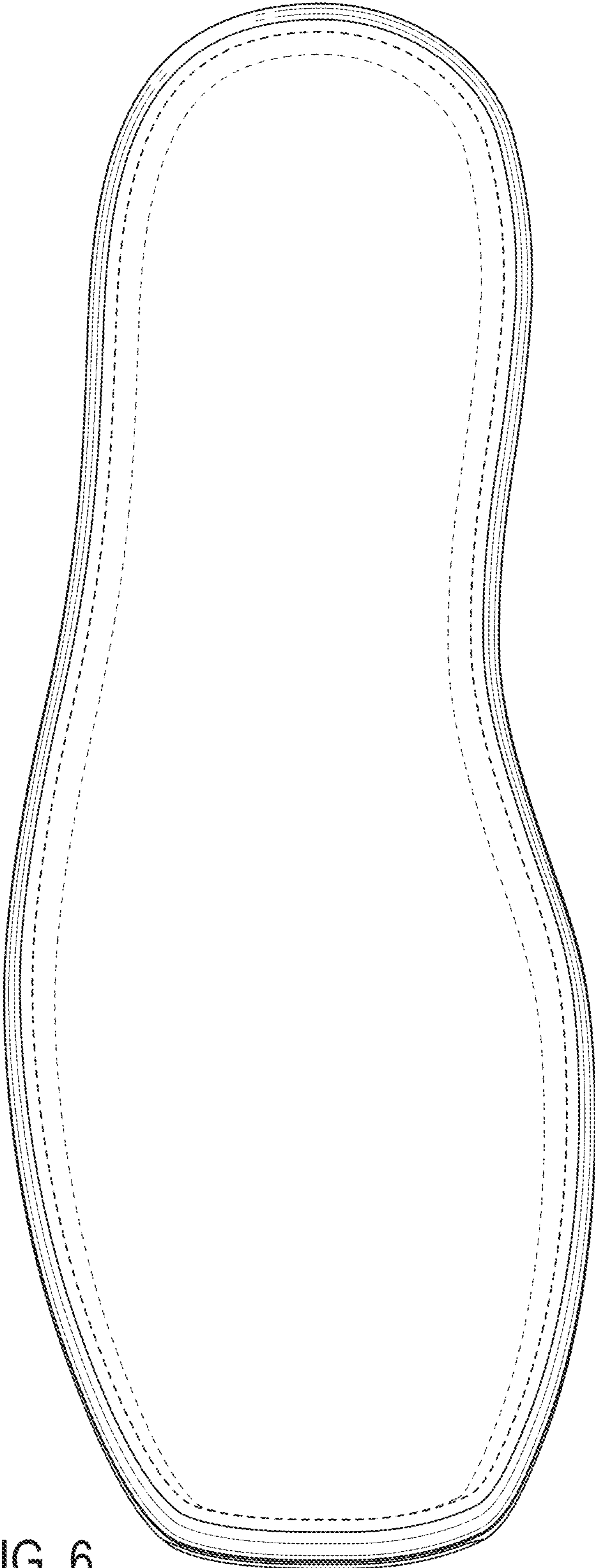


FIG. 6

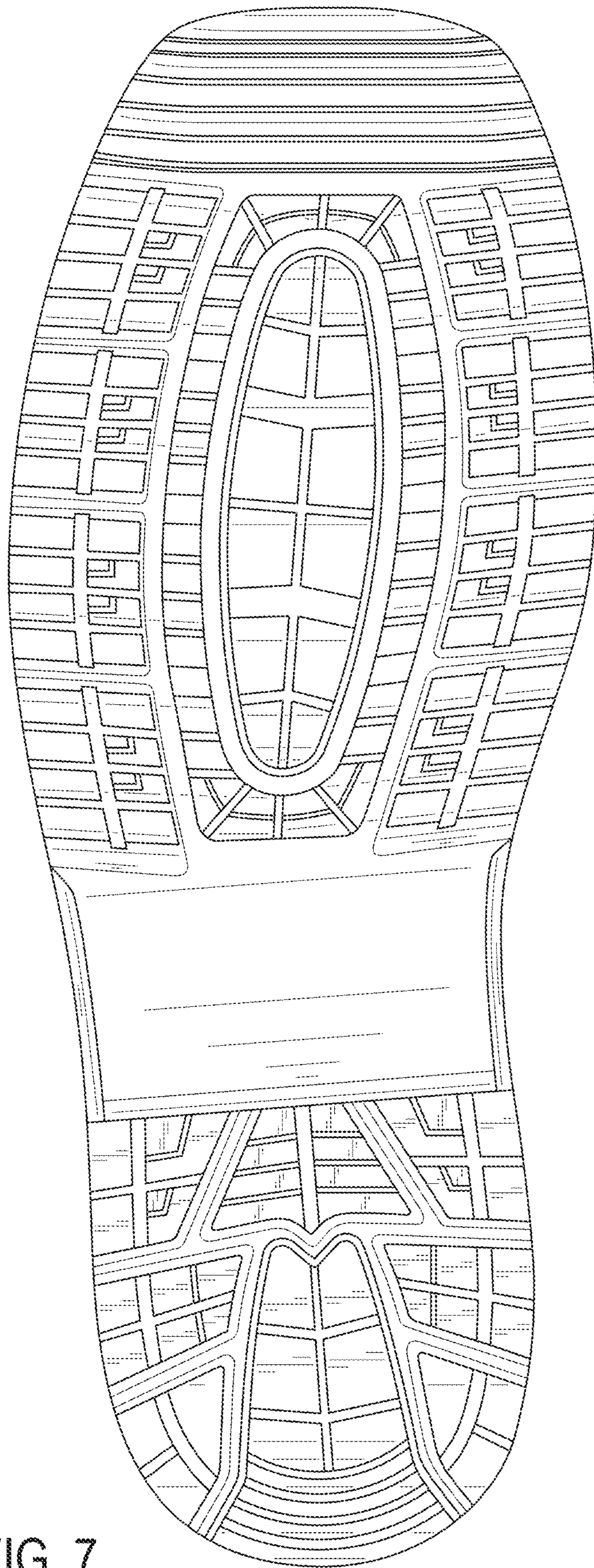


FIG. 7