



US00D944506S

(12) **United States Design Patent**  
**Lehner**

(10) **Patent No.:** **US D944,506 S**  
(45) **Date of Patent:** **\*\* Mar. 1, 2022**

(54) **OUTSOLE**

(71) Applicant: **Rene Lehner**, Perth (AU)

(72) Inventor: **Rene Lehner**, Perth (AU)

(73) Assignee: **Footwear Industries Pty Ltd**, Malaga (AU)

(\*\*) Term: **15 Years**

(21) Appl. No.: **29/726,502**

(22) Filed: **Mar. 3, 2020**

(30) **Foreign Application Priority Data**

Sep. 3, 2019 (AU) ..... 201915073

(51) **LOC (13) Cl.** ..... **02-04**

(52) **U.S. Cl.**  
USPC ..... **D2/957; D2/947; D2/951; D2/956;**  
**D2/960**

(58) **Field of Classification Search**

USPC ..... D2/902, 906, 908, 916, 918, 925,  
D2/946-962, 977; 36/3 B, 22 R, 24.5,  
36/25 R, 28, 32 R, 34 R, 59 C, 67 A, 103  
CPC ..... A43B 13/00; A43B 13/02; A43B 13/023;  
A43B 13/026; A43B 13/04; A43B 13/08;  
A43B 13/10; A43B 13/12; A43B 13/14;  
A43B 13/141; A43B 13/143; A43B  
13/16; A43B 13/18; A43B 13/181; A43B  
13/187; A43B 13/189; A43B 13/20; A43B  
13/22; A43B 13/223; A43B 13/24; A43B  
13/28; A43B 13/30; A43B 13/32; A43B  
13/34; A43B 13/36

See application file for complete search history.

(56) **References Cited**

**U.S. PATENT DOCUMENTS**

D273,246 S \* 4/1984 Tonkel ..... D2/956  
D294,423 S \* 3/1988 Zuidema ..... D2/954

D305,278 S \* 1/1990 Kiyosawa ..... D2/954  
D316,930 S \* 5/1991 Bernasconi ..... D2/957  
D392,449 S \* 3/1998 Worthington ..... D2/957  
D404,549 S \* 1/1999 Greenberg ..... D2/956  
D433,214 S \* 11/2000 McDowell ..... D2/947  
D433,790 S \* 11/2000 Oliver ..... D2/947  
D436,432 S \* 1/2001 Gams ..... D2/947  
D441,946 S \* 5/2001 Agnew ..... D2/953  
D464,477 S \* 10/2002 Adams ..... D2/951  
D473,042 S \* 4/2003 Wilson ..... D2/953  
D475,183 S \* 6/2003 McClaskie ..... D2/951  
D478,717 S \* 8/2003 Adams ..... D2/951  
D496,525 S \* 9/2004 Dykstra ..... D2/957  
D504,205 S \* 4/2005 Andrews-Kramer ..... D2/953  
D505,249 S \* 5/2005 Urie ..... D2/953  
D520,721 S \* 5/2006 White ..... D2/957  
D550,431 S \* 9/2007 Schoenborn ..... D2/952

(Continued)

*Primary Examiner* — T Chase Nelson

(74) *Attorney, Agent, or Firm* — Wolf, Greenfield & Sacks, P.C.

(57) **CLAIM**

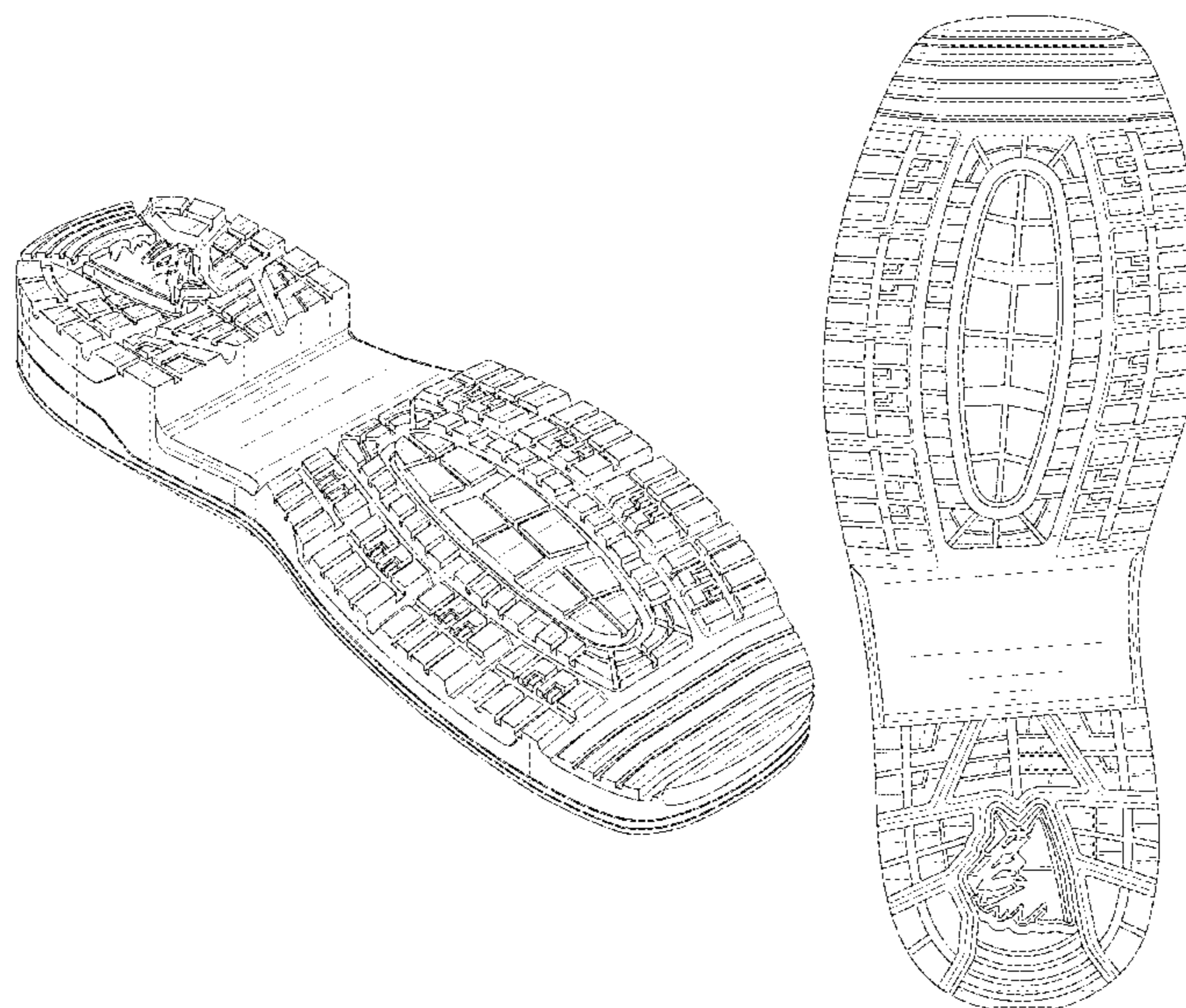
The ornamental design for an outsole, as shown and described.

**DESCRIPTION**

FIG. 1 is a bottom, front, and right side perspective view of an outsole according to our new design; FIG. 2 is a front elevation view thereof; FIG. 3 is a rear elevation view thereof; FIG. 4 is a left side elevation view thereof; FIG. 5 is a right side elevation view thereof; FIG. 6 is a top plan view thereof; and, FIG. 7 is a bottom plan view thereof.

The broken lines shown in FIGS. 1-5 show portions of the outsole that form no part of the claimed design. The broken lines and unshaded inner surfaces in the FIG. 6 view show portions of the outsole that form no part of the claimed design.

**1 Claim, 7 Drawing Sheets**



(56)

**References Cited**

U.S. PATENT DOCUMENTS

D607,633	S *	1/2010	Mongelli .....	D2/947
D608,534	S *	1/2010	Bullard .....	D2/947
D638,210	S *	5/2011	Del Biondi .....	D2/960
D655,902	S *	3/2012	Debiase .....	D2/957
D656,304	S *	3/2012	Debiase .....	D2/960
D680,720	S *	4/2013	Smith .....	D2/947
D680,727	S *	4/2013	Smith .....	D2/960
D706,524	S *	6/2014	Smith .....	D2/960
D737,558	S *	9/2015	Bizzo .....	D2/960
D801,658	S *	11/2017	Huard .....	D2/960
D847,478	S *	5/2019	Fracassi .....	D2/957
D848,124	S *	5/2019	Sassi .....	D2/908
D852,485	S *	7/2019	Gress .....	D2/960
D854,300	S *	7/2019	Evans .....	D2/957
D879,423	S *	3/2020	Engel .....	D2/947
D886,428	S *	6/2020	Natowich McPhee .....	D2/960
D891,061	S *	7/2020	Nelson .....	D2/957
D912,376	S *	3/2021	Rao .....	D2/947
2008/0148598	A1 *	6/2008	Schoenborn .....	A43B 13/181 36/28
2014/0101816	A1	4/2014	Toronjo	

\* cited by examiner



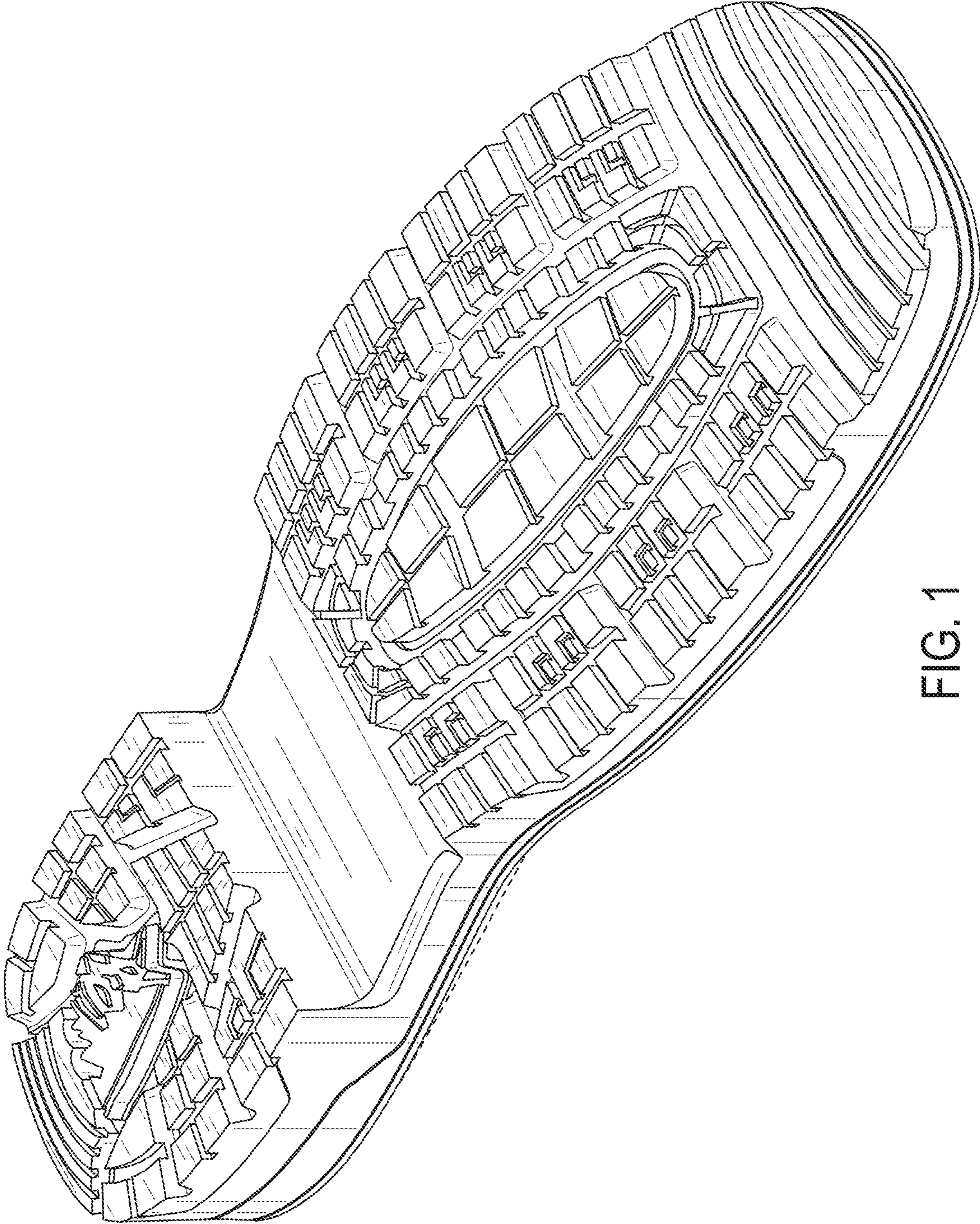


FIG. 1

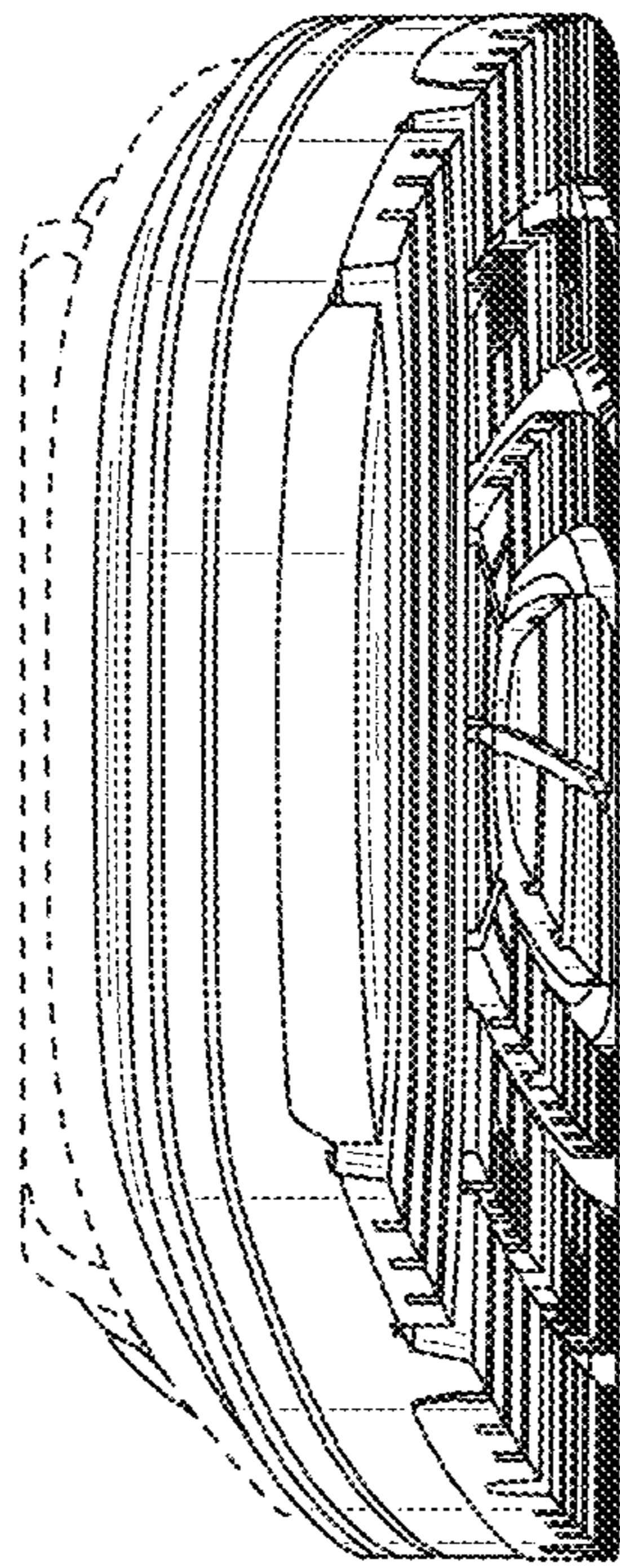


FIG. 2

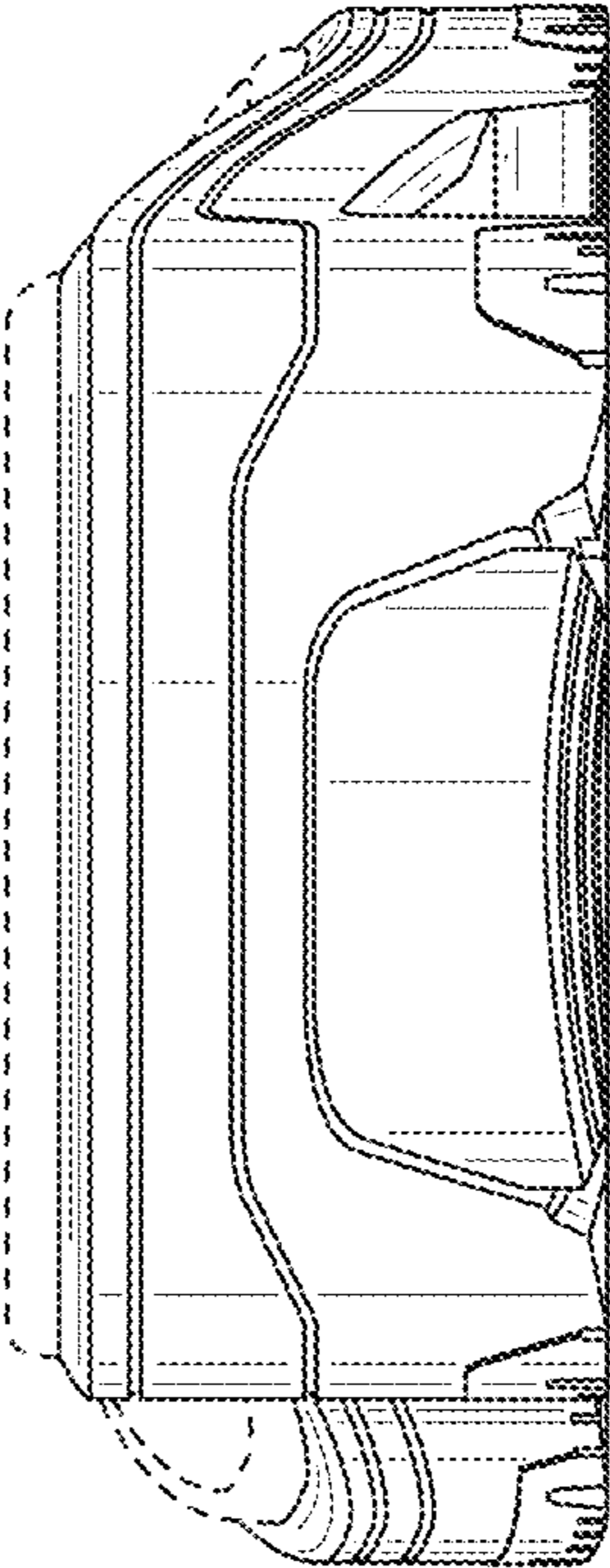


FIG. 3



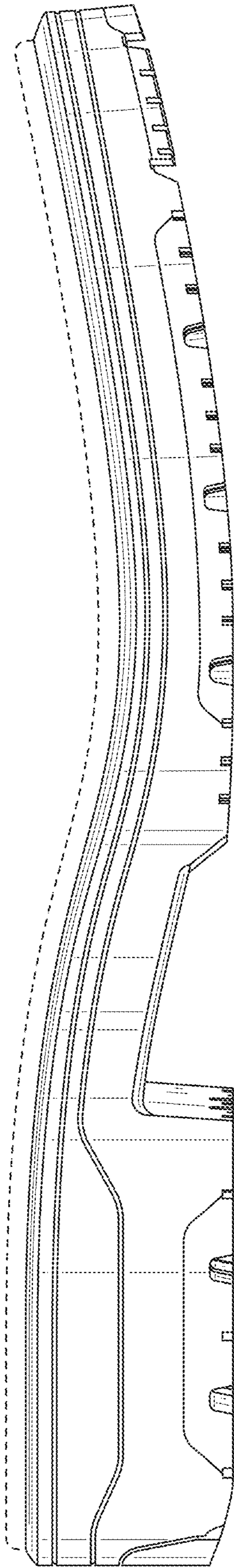


FIG. 4

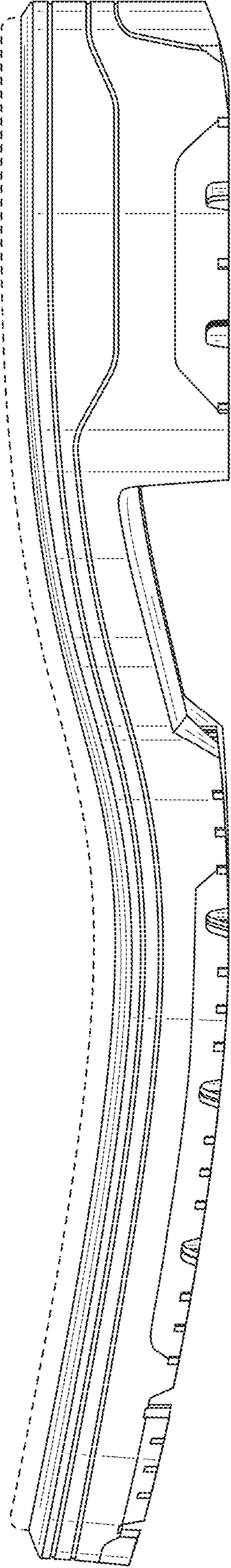


FIG. 5

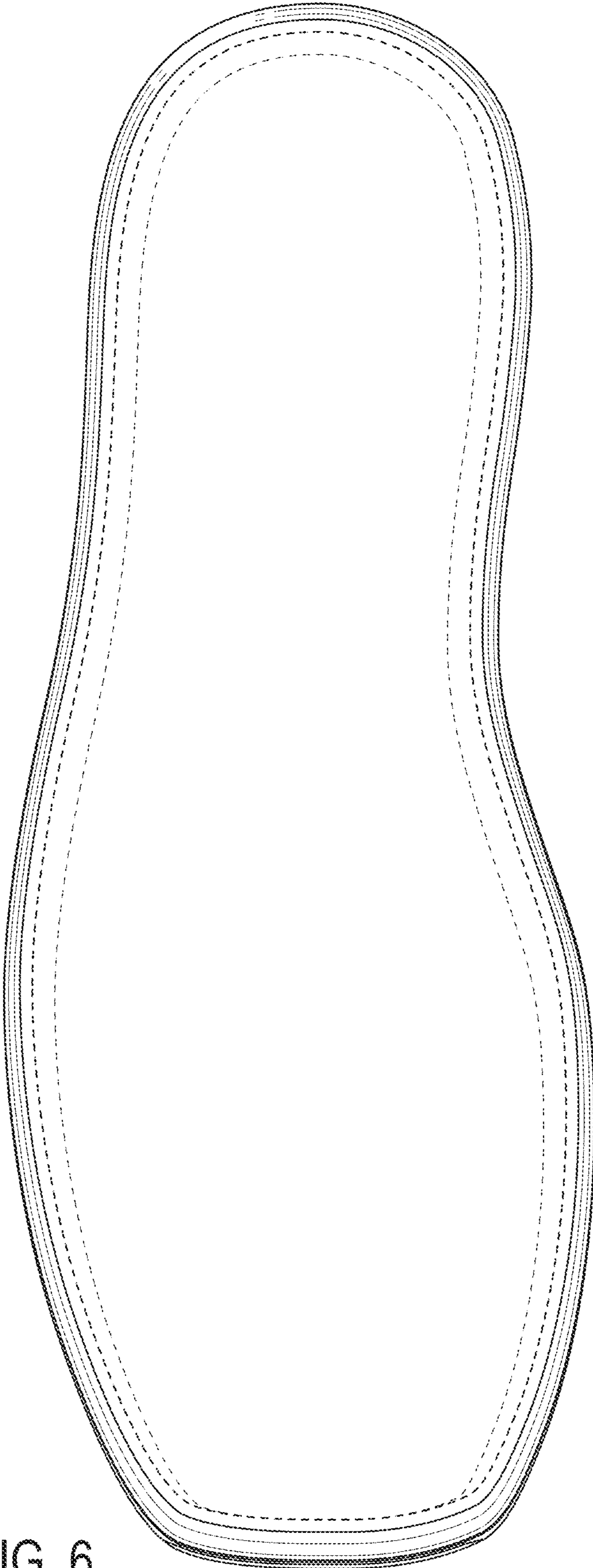


FIG. 6



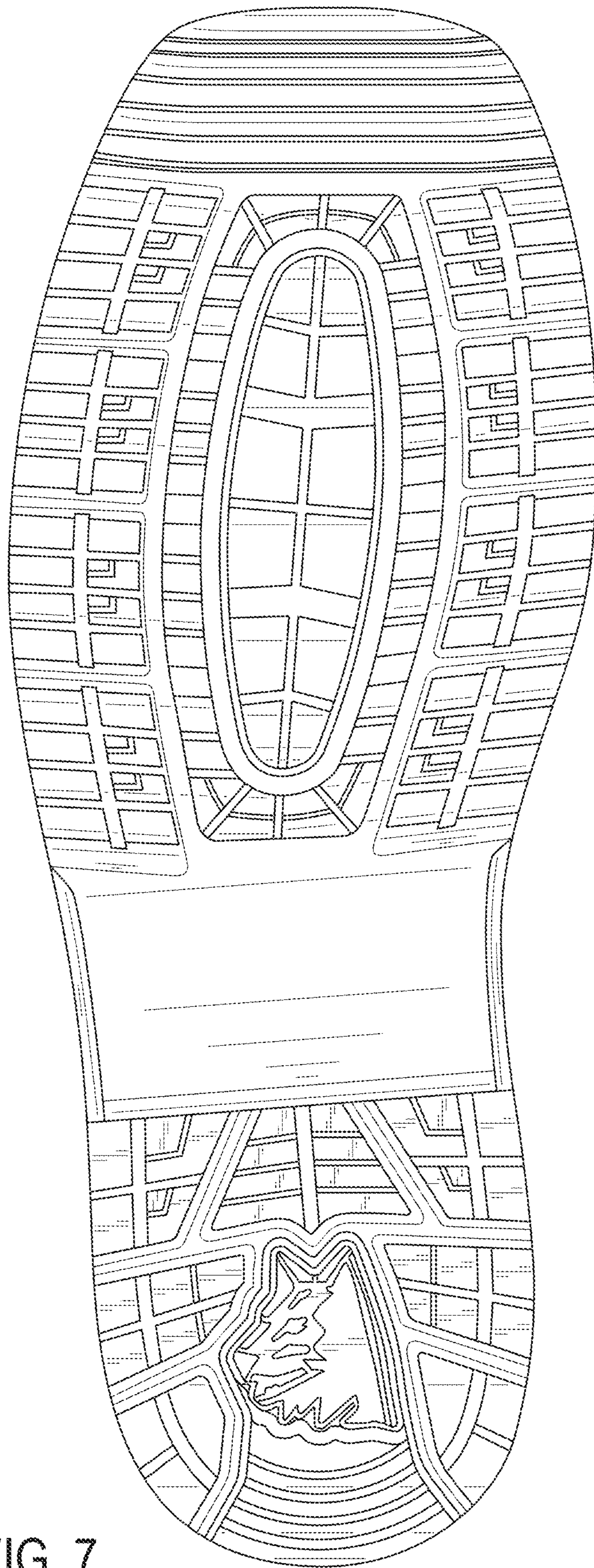


FIG. 7