



US00D944489S

(12) **United States Design Patent**  
**Wexelbaum**

(10) **Patent No.:** **US D944,489 S**  
(45) **Date of Patent:** **\*\* Mar. 1, 2022**

(54) **ADJUSTABLE BELT LOOP FASTENING  
DEVICE**

(71) Applicant: **Lucida, LLC**, Naples, FL (US)

(72) Inventor: **Joshua Wexelbaum**, Naples, FL (US)

(73) Assignee: **LUCIDA, LLC**, Naples, FL (US)

(\*\*) Term: **15 Years**

(21) Appl. No.: **29/724,025**

(22) Filed: **Feb. 12, 2020**

(51) **LOC (13) Cl.** ..... **02-07**

(52) **U.S. Cl.**  
USPC ..... **D2/627**

(58) **Field of Classification Search**  
USPC ..... D11/3, 200, 201, 212, 213, 226;  
D2/624-629, 635-640; D24/190;  
D8/349, 394; D10/32  
CPC ..... A41F 9/002; A41F 9/007; A41F 19/005;  
A41F 9/025; A41F 9/02; A41F 17/04;  
A41F 15/02; A44B 18/00; A44B 18/0003;  
A44B 18/0007; A44B 18/0011; A44B  
18/0015; A44B 18/0023; A44B 18/0026;  
A44B 18/0034; A44B 18/0038; A44B  
18/0069; A44B 18/0073; A44B 18/0084;  
A44B 18/008; A61H 2011/005; A45F  
5/021; A45F 2005/023; A45F 2005/008;  
A45F 3/14; A45F 3/047; A63B 2209/10;  
A45C 13/30; A45C 2013/1015; A43C  
11/1493

See application file for complete search history.

(56) **References Cited**

**U.S. PATENT DOCUMENTS**

2,619,651 A \* 12/1952 Leonard ..... D2/627  
3,994,048 A \* 11/1976 Rosenthal ..... A63C 11/025  
24/306  
D263,869 S \* 4/1982 Sumiyasu ..... D2/637  
D272,754 S \* 2/1984 Brewer ..... D21/791

D305,097 S \* 12/1989 Converse ..... D8/394  
5,548,871 A \* 8/1996 Trethewey ..... A44B 18/00  
24/16 R  
D386,829 S \* 11/1997 Lovin ..... D29/122

(Continued)

**OTHER PUBLICATIONS**

BeltBro Photo Facebook, Jan. 20, 2020, [online], [site visited Jul. 12, 2021]. Retrieved from url:https://www.facebook.com/BeltBro/photos/a.111605557048753/111605060382136/?type=3&theater (Year: 2020).\*

(Continued)

*Primary Examiner* — Wendy L Arminio

*Assistant Examiner* — Tracey J Bell

(74) *Attorney, Agent, or Firm* — Shumaker, Loop & Kendrick, LLP

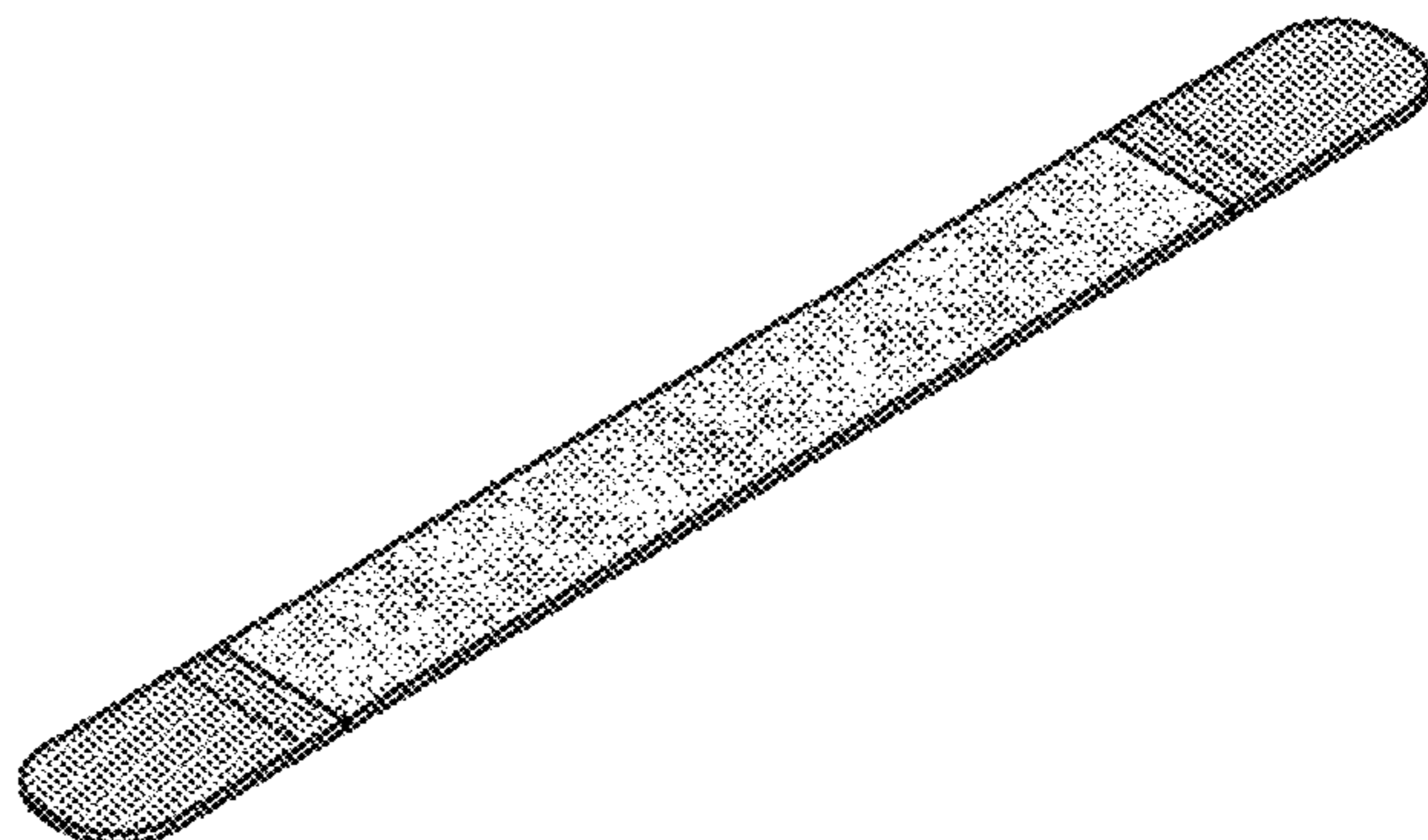
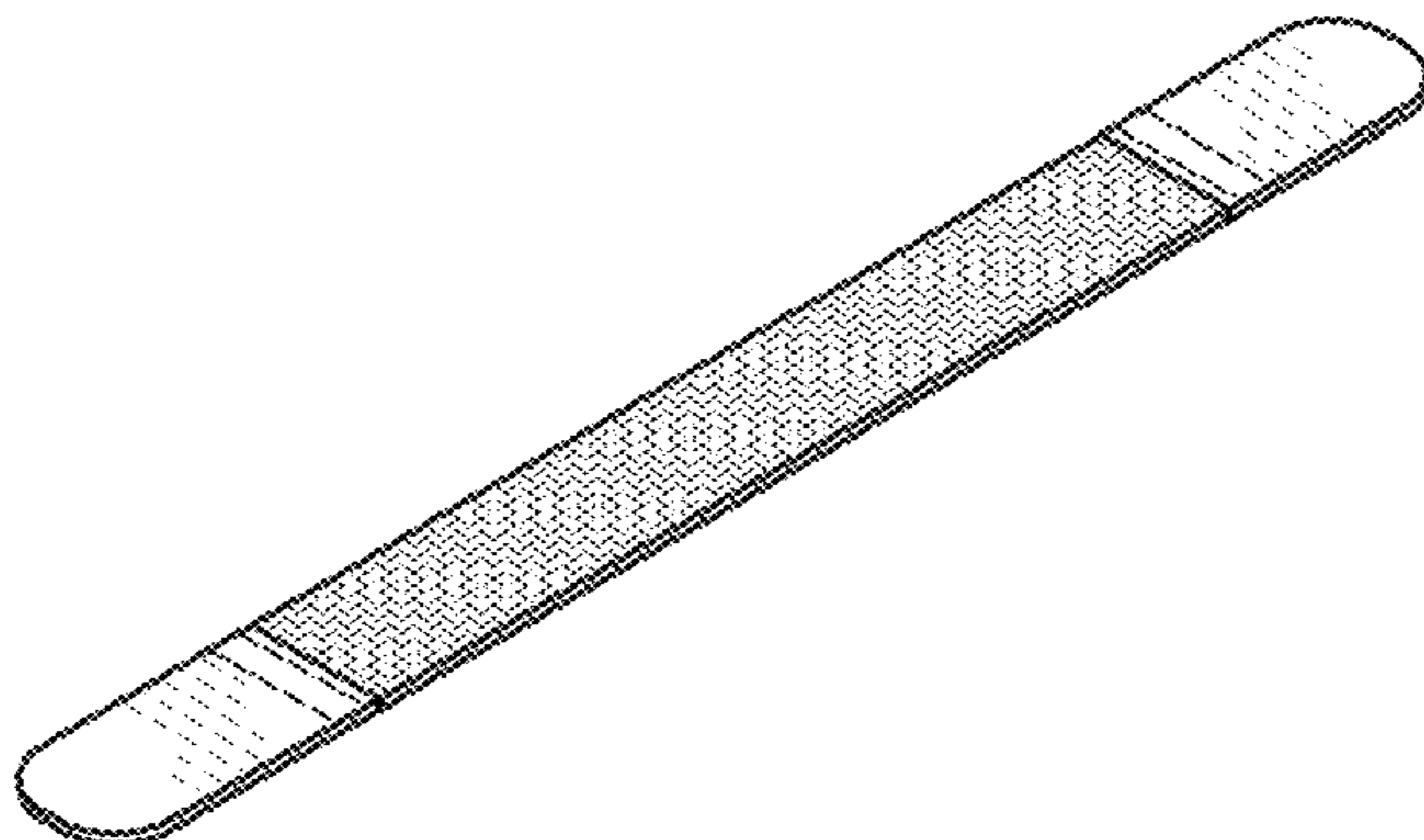
(57) **CLAIM**

The ornamental design for an adjustable belt loop fastening device, as shown and described.

**DESCRIPTION**

FIG. 1 is a top perspective view of the new design for an adjustable belt loop fastening device;  
FIG. 2 is a bottom perspective view thereof;  
FIG. 3 is a top view thereof;  
FIG. 4 is a bottom view thereof;  
FIG. 5 is a right side view thereof, with the left side being a mirror image of the right side;  
FIG. 6 is front view thereof, with the back view being the same as the front view; and,  
FIG. 7 is a perspective view thereof, shown in a closed configuration in a position of use on two belt loops.  
The broken line showing of a garment with belt loops in FIG. 7 depicts environmental subject matter that forms no part of the claimed design. The broken lines on the surface of the adjustable belt loop fastening device in FIGS. 1-4 and 7 depict portions of the article that form no part of the claimed design.

**1 Claim, 4 Drawing Sheets**







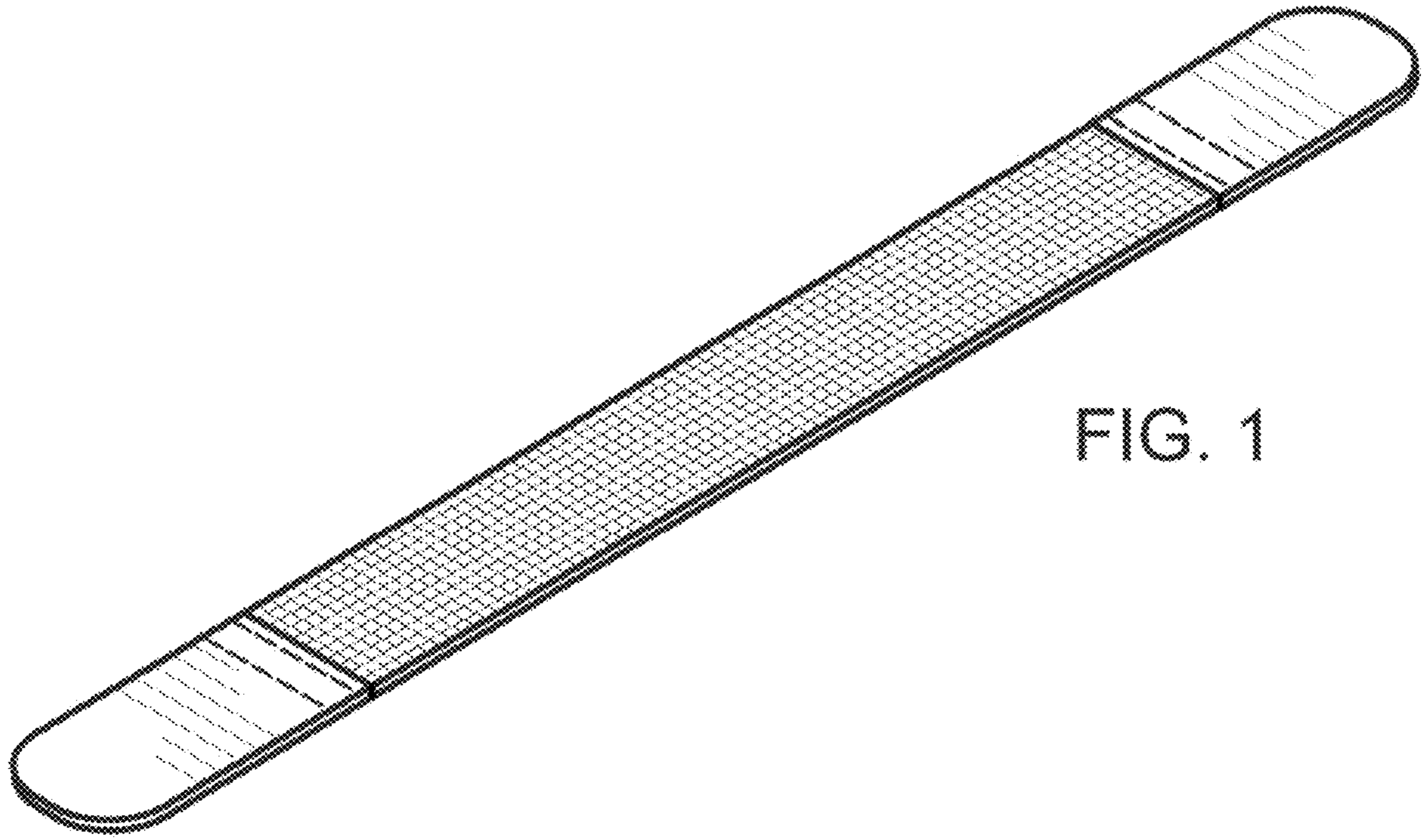


FIG. 1

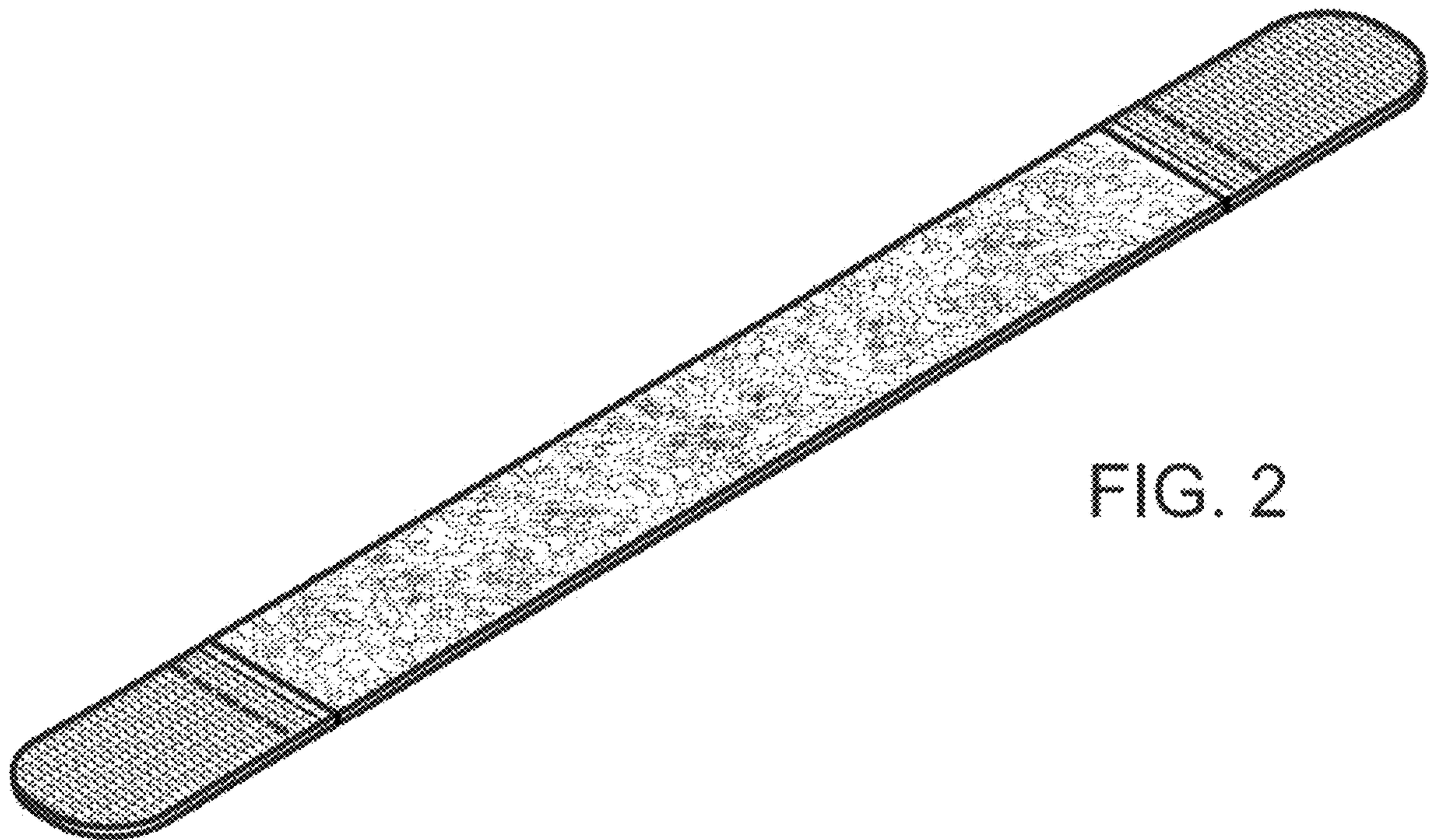


FIG. 2

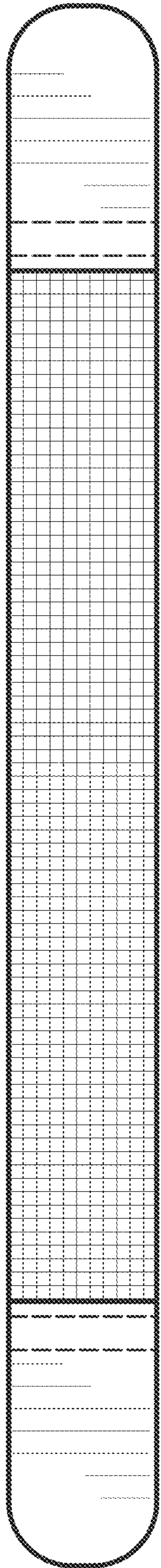


FIG. 3

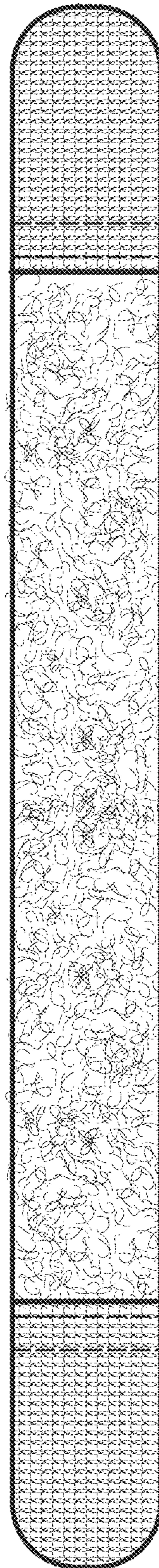


FIG. 4





FIG. 5

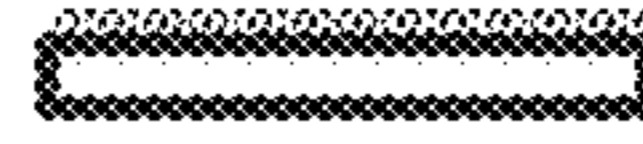


FIG. 6

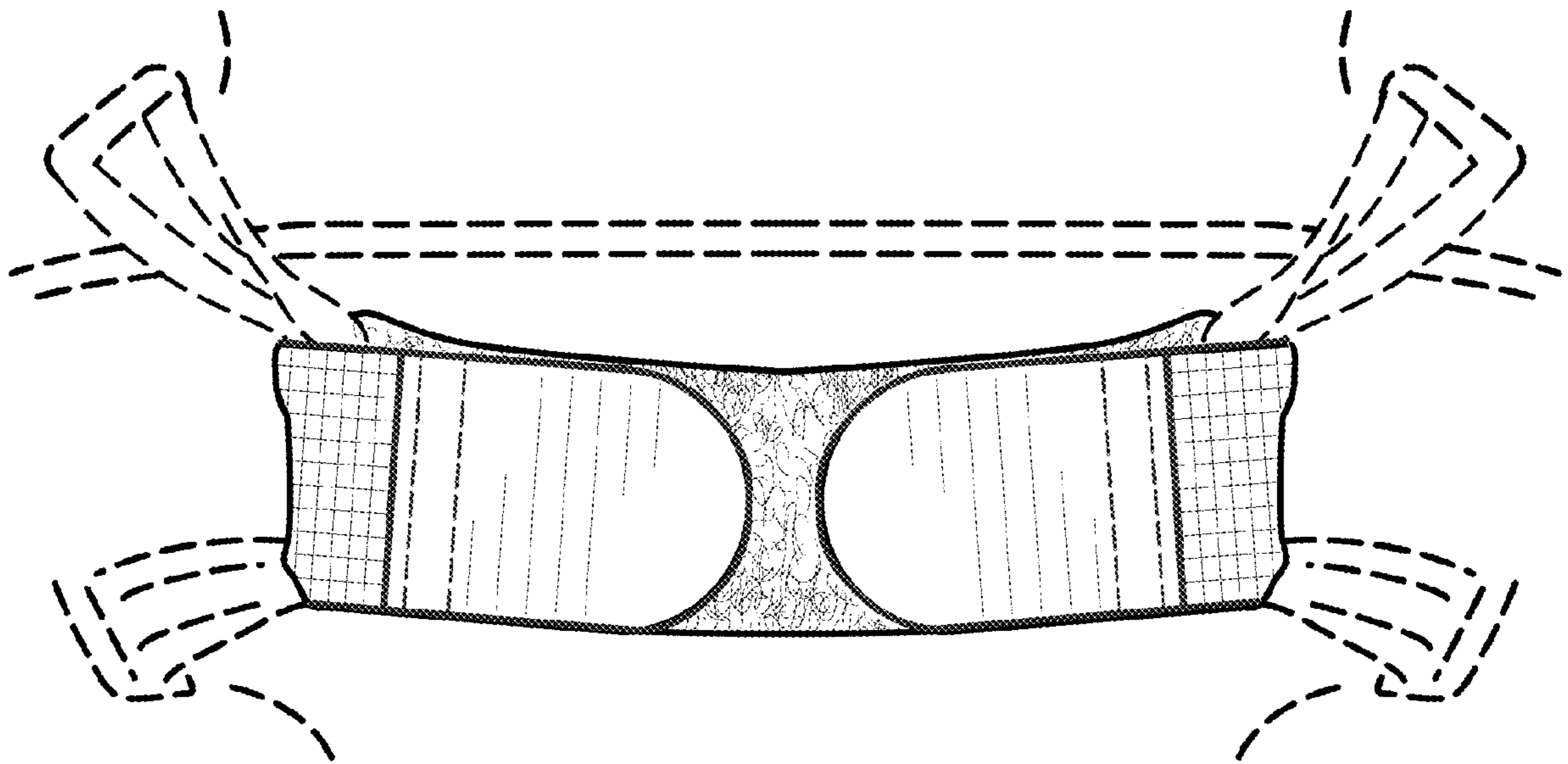


FIG. 7