



US00D944485S

(12) **United States Design Patent**  
**Walton et al.**

(10) **Patent No.:** **US D944,485 S**

(45) **Date of Patent:** **\*\* Feb. 22, 2022**

(54) **CONTAINER WITH A SLIM HANDLE**

(71) Applicant: **POLYKEG S.R.L.**, Calcinatè (IT)

(72) Inventors: **Philip Andrew Walton**, Bishop Auckland (GB); **Sergio Sonzogni**, Calcinatè (IT); **Andrew Smith**, Bishop Auckland (GB)

(73) Assignee: **POLYKEG SRL**

(\*\*) Term: **15 Years**

(21) Appl. No.: **29/737,101**

(22) Filed: **Jun. 5, 2020**

(30) **Foreign Application Priority Data**

Dec. 12, 2019 (GB) ..... 6078861

(51) **LOC (13) Cl.** ..... **09-02**

(52) **U.S. Cl.**  
USPC ..... **D34/39**

(58) **Field of Classification Search**  
USPC ..... D34/39; D7/507, 509, 510, 511, 523,  
D7/527, 529, 531, 532, 533, 536, 608;  
D9/503, 531, 907

CPC .. B67D 1/0406; B67D 1/0462; B67D 1/0801;  
B67D 1/0888; B67D 1/1252; B67D 1/07;  
B67D 1/0004; B67D 1/0835; B65D  
21/0202

See application file for complete search history.

(56) **References Cited**

**U.S. PATENT DOCUMENTS**

D574,574 S \* 8/2008 Bax ..... D34/39  
D725,864 S \* 3/2015 Sonzogni ..... D34/39

D842,579 S \* 3/2019 Sonzogni ..... D34/39  
D894,521 S \* 8/2020 Falvey ..... D34/39  
D911,665 S \* 2/2021 Shin ..... D34/39  
2010/0072212 A1 \* 3/2010 Howard ..... B65D 21/022  
220/600  
2012/0125938 A1 \* 5/2012 Bates ..... B65D 7/045  
220/495.03  
2018/0237282 A1 \* 8/2018 Luo ..... B67D 1/0801  
2020/0039688 A1 \* 2/2020 Sonzogni ..... B65D 21/0204  
2021/0094817 A1 \* 4/2021 Qiao ..... B67D 1/0801

**FOREIGN PATENT DOCUMENTS**

GB 001713504-0001 3/2010

\* cited by examiner

*Primary Examiner* — Cynthia Ramirez

(74) *Attorney, Agent, or Firm* — Ira S. Dorman

(57) **CLAIM**

The ornamental design for a container with a slim handle, as shown and described.

**DESCRIPTION**

FIG. 1 is a perspective view of a container with a slim handle showing my new design;

FIG. 2 is a front view thereof;

FIG. 3 is a bottom view thereof;

FIG. 4 is a top view thereof;

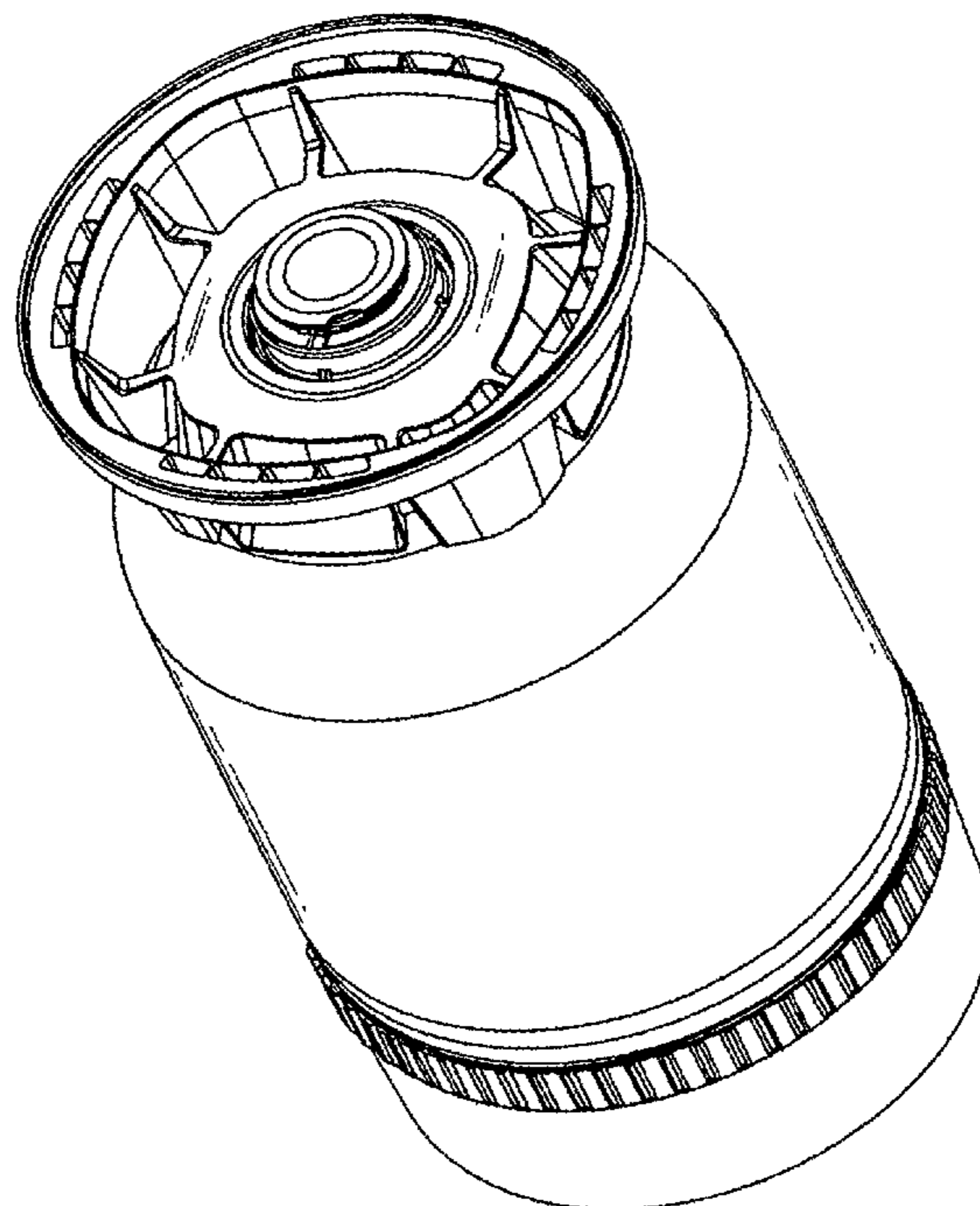
FIG. 5 is a rear view thereof;

FIG. 6 is a left side view thereof; and,

FIG. 7 is a right side view thereof.

The broken lines in the figures show portions of the container with a slim handle, which form no part of the claimed design.

**1 Claim, 6 Drawing Sheets**



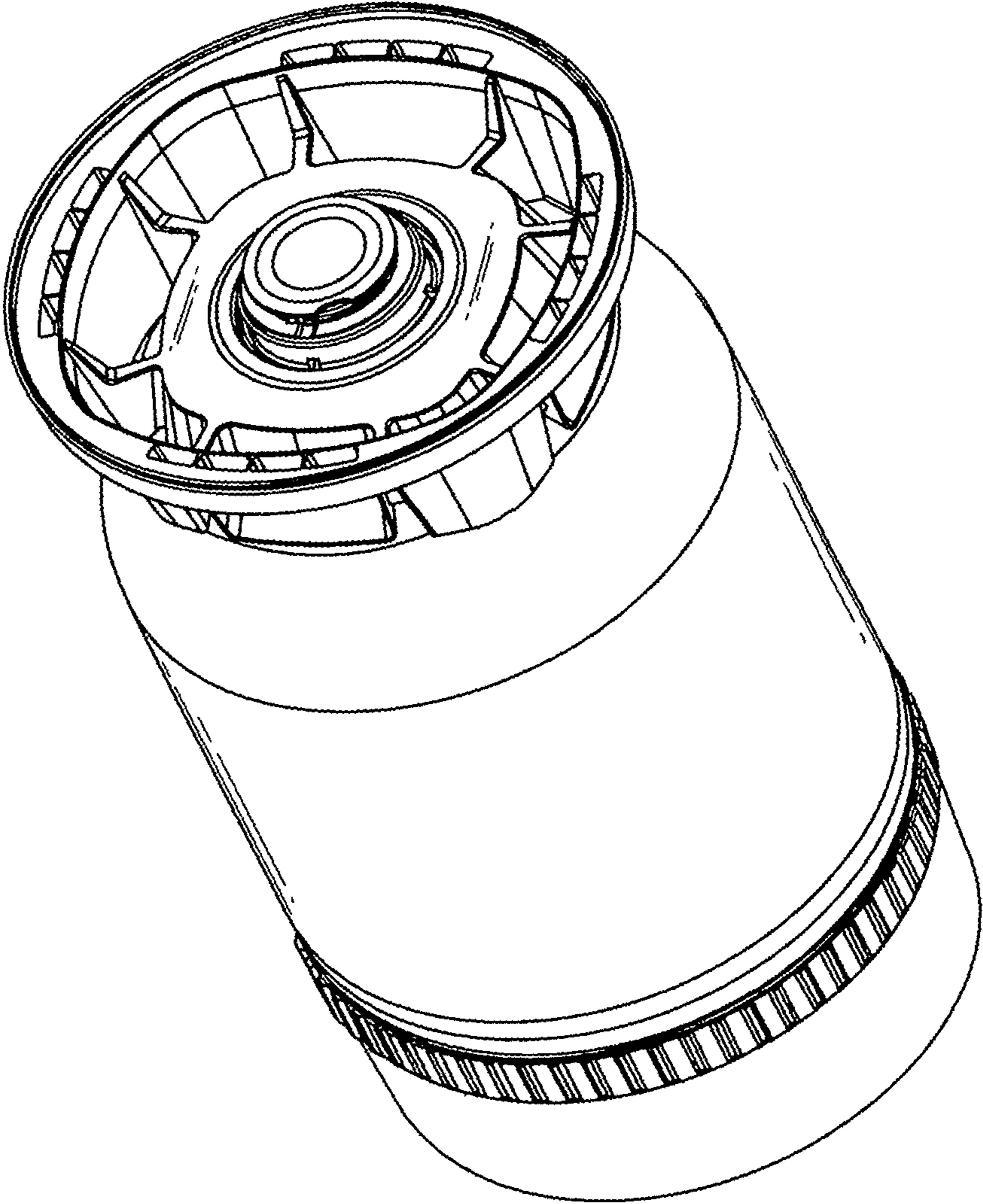


FIG. 1

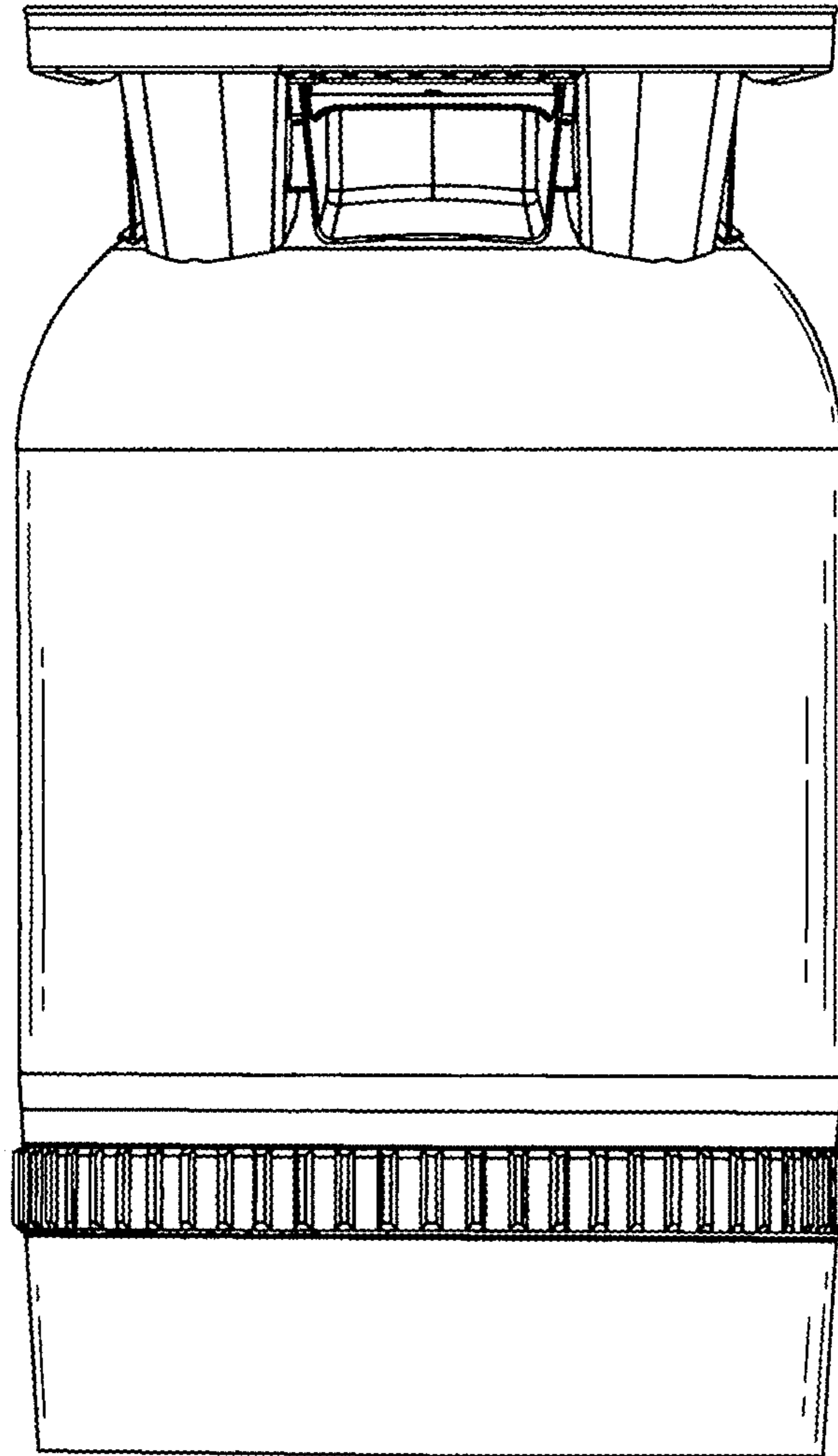


FIG. 2



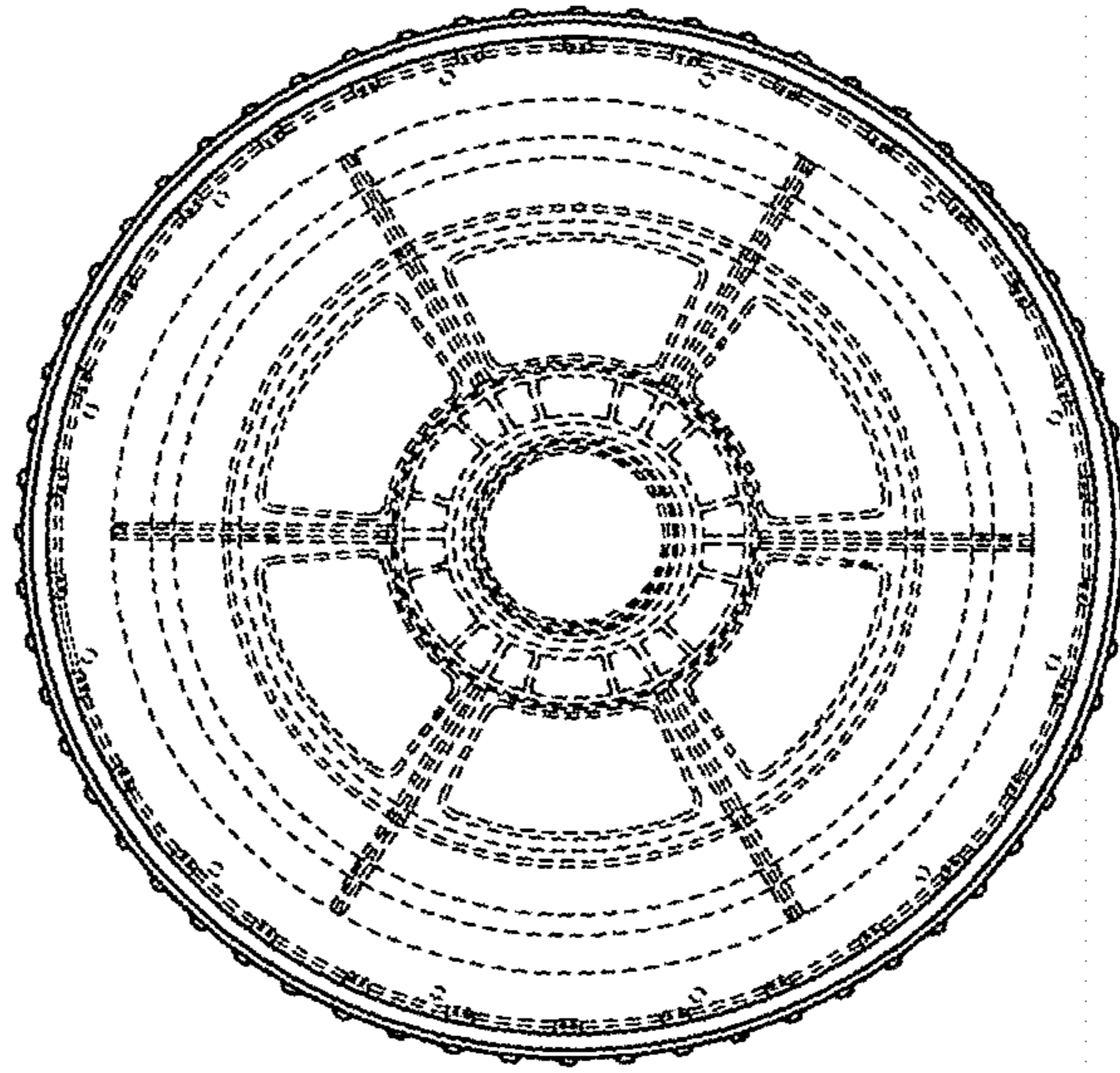


FIG. 3

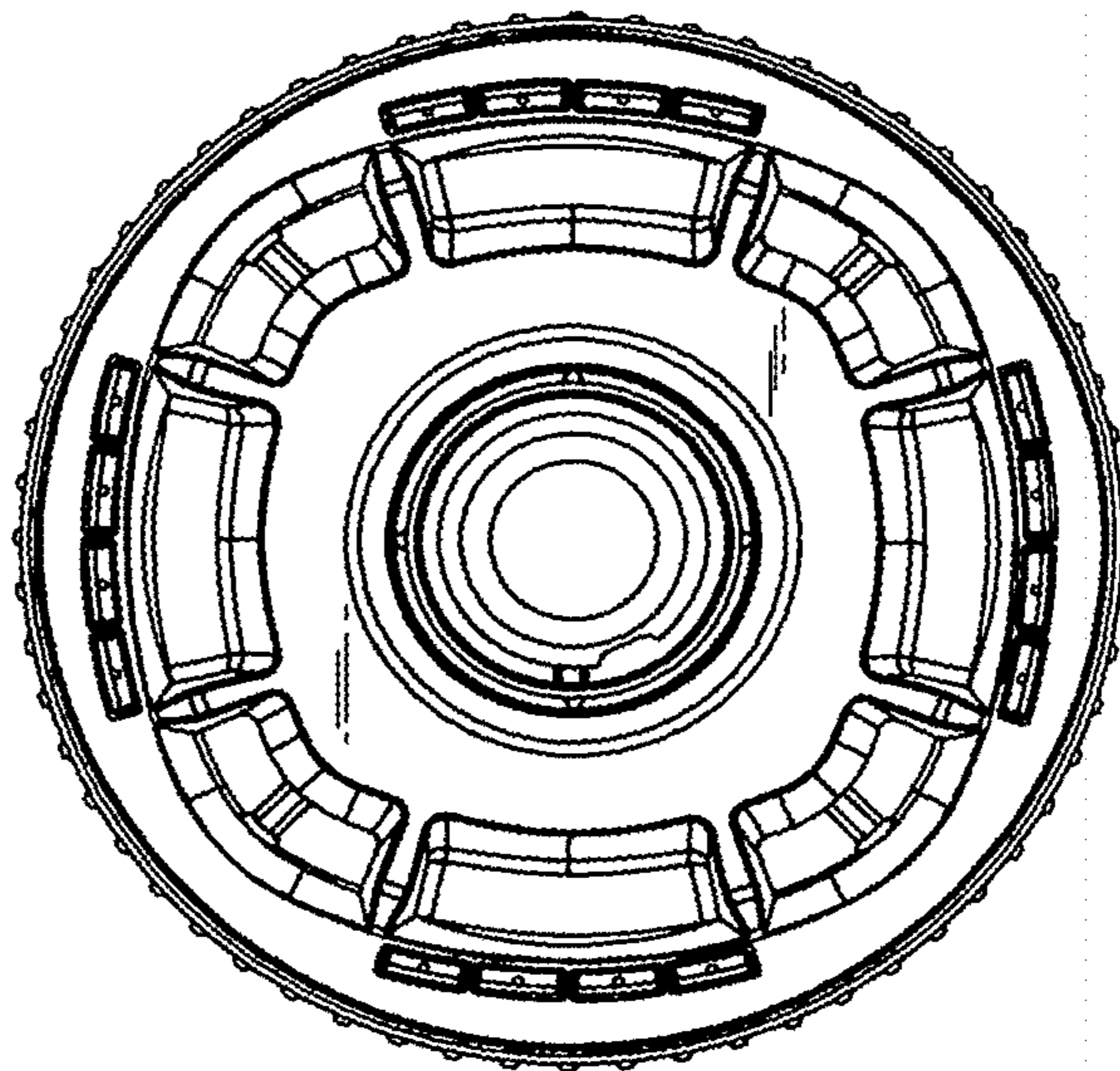


FIG. 4

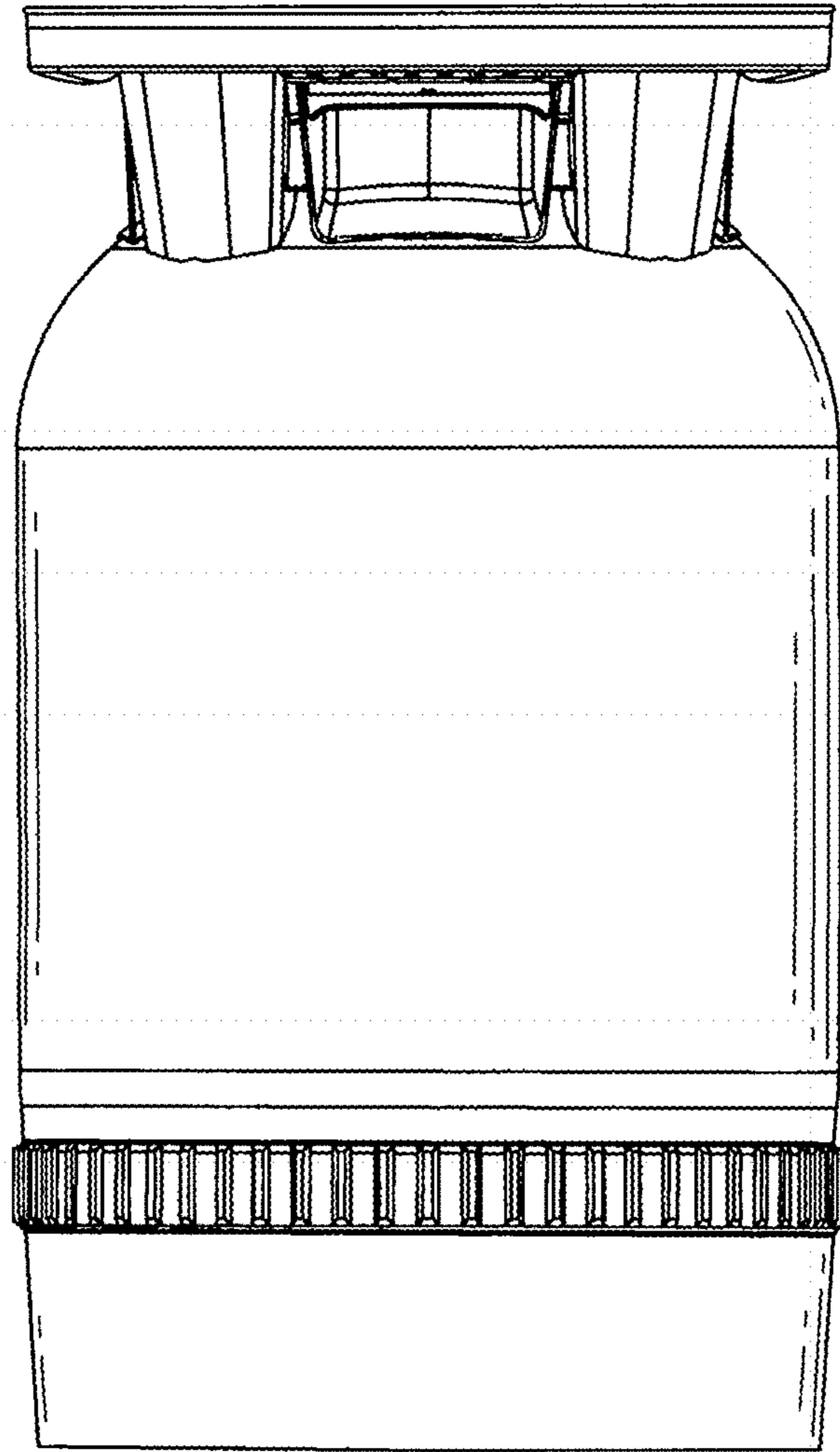


FIG. 5

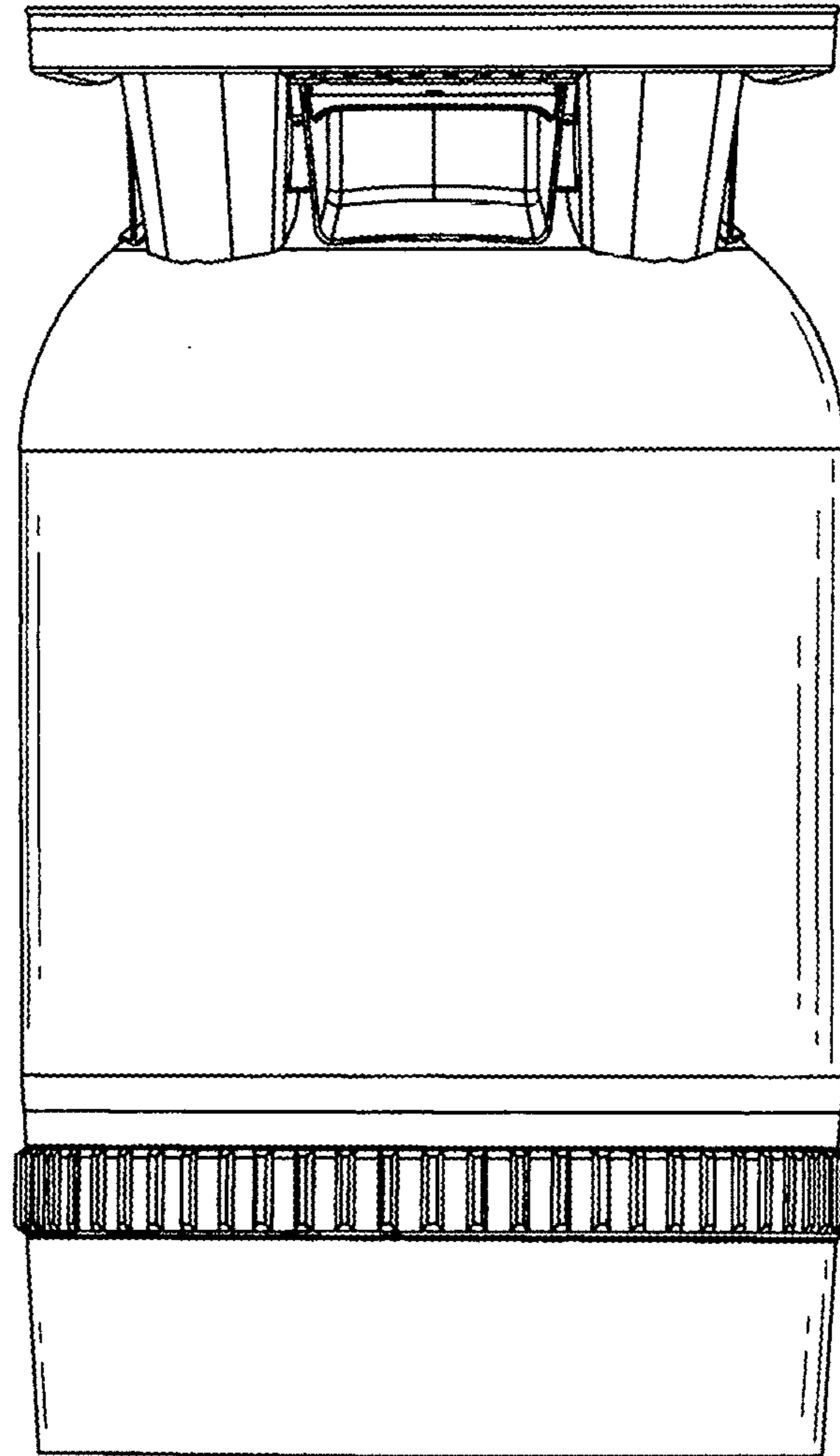


FIG. 6

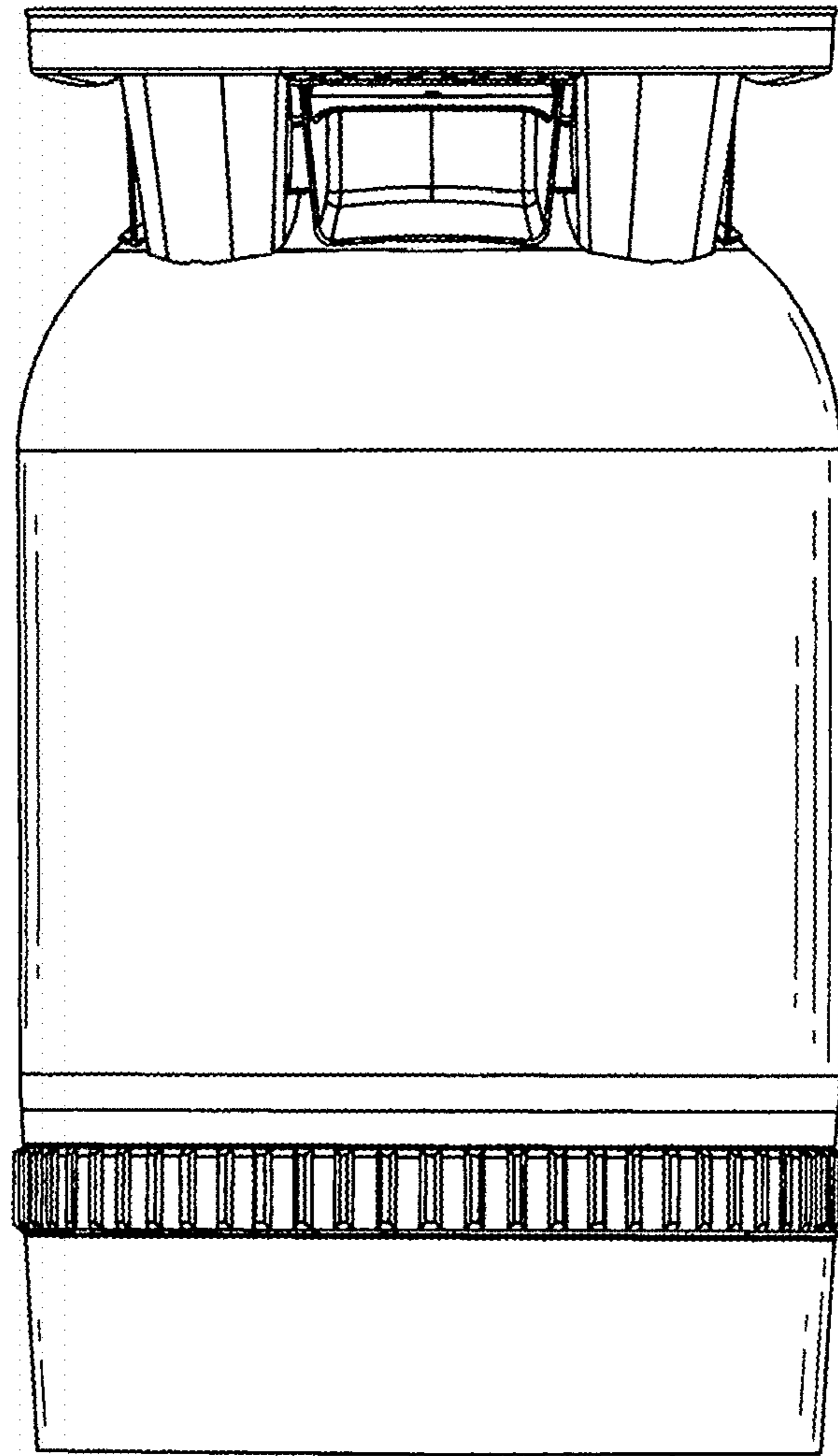


FIG. 7