



US00D944484S

(12) **United States Design Patent** (10) **Patent No.:** **US D944,484 S**
Hornbaker et al. (45) **Date of Patent:** **** Feb. 22, 2022**

(54) **CAN COVER**

(71) Applicant: **Behrens Manufacturing, LLC**,
Winona, MN (US)

(72) Inventors: **Ronald G. Hornbaker**, Orono, MN
(US); **Nicholas James Holt**, Eagan,
MN (US); **William John Bellingham**,
Rochester, MN (US)

(73) Assignee: **Behrens Manufacturing, LLC**,
Winona, MN (US)

(**) Term: **15 Years**

(21) Appl. No.: **29/732,667**

(22) Filed: **Apr. 27, 2020**

(51) **LOC (13) Cl.** **09-09**

(52) **U.S. Cl.**
USPC **D34/10; D9/454**

(58) **Field of Classification Search**
USPC D34/10, 11; D9/443, 434, 435, 454, 529
CPC B65F 1/16; B65F 1/1643; Y10S 220/908;
A47J 47/02; A47J 47/10; B65D 43/0212;
B65D 43/0218; B65D 43/0208; B65D
7/40; B65D 79/005; B44D 3/127
See application file for complete search history.

(56) **References Cited**

U.S. PATENT DOCUMENTS

D218,636 S * 9/1970 Mangold D34/7
4,407,427 A * 10/1983 Reuter B65F 1/16
220/350

(Continued)

OTHER PUBLICATIONS

“A galvanized trash can with the lid-off on a white background stock photo,” 123RF (stock photos of many trash cans and trash can lids, accessed at www.123RF.com on Aug. 3, 2020), publicly available prior to Apr. 2019(12 pages).

(Continued)

Primary Examiner — Cynthia Ramirez

(74) *Attorney, Agent, or Firm* — James L. Young;
Westman, Champlin & Koehler P.A.

(57) **CLAIM**

The ornamental design for a can cover, as shown and described.

DESCRIPTION

FIG. 1 is a perspective view of a first embodiment of a can cover;

FIG. 2 is a side view thereof;

FIG. 3 is a top view thereof;

FIG. 4 is a bottom view thereof;

FIG. 5 is a sectional view as taken along lines 5-5 in FIG. 3;

FIG. 6 is a perspective view of a second embodiment of a can cover;

FIG. 7 is a side view thereof;

FIG. 8 is a top view thereof;

FIG. 9 is a bottom view thereof;

FIG. 10 is a sectional view as taken along lines 10-10 in FIG. 8;

FIG. 11 is a perspective view of a third embodiment of a can cover;

FIG. 12 is a side view thereof;

FIG. 13 is a top view thereof;

FIG. 14 is a bottom view thereof;

FIG. 15 is a sectional view as taken along lines 15-15 in FIG. 13;

FIG. 16 is a perspective view of a fourth embodiment of a can cover;

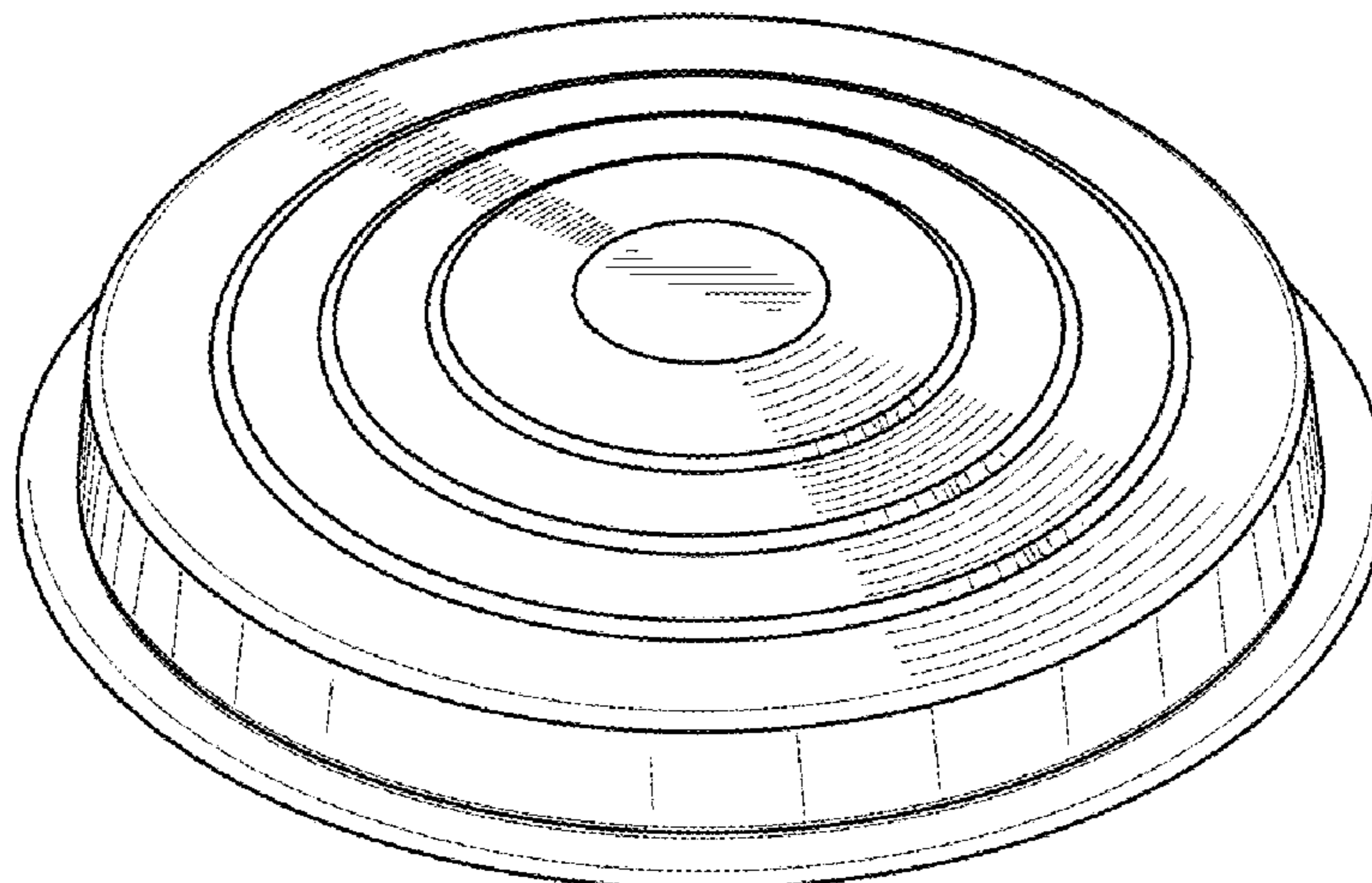
FIG. 17 is a side view thereof;

FIG. 18 is a top view thereof;

FIG. 19 is a bottom view thereof; and,

FIG. 20 is a sectional view as taken along lines 20-20 in FIG. 18.

1 Claim, 9 Drawing Sheets



(56)

References Cited

U.S. PATENT DOCUMENTS

4,558,799 A * 12/1985 Hammond B65F 1/1646
16/262
4,630,752 A * 12/1986 DeMars B65F 1/06
220/495.08
D340,181 S * 10/1993 Adams B65D 79/005
D8/354
D421,202 S * 2/2000 Demers B65F 1/1468
D7/538
6,808,081 B1 * 10/2004 Citro B65D 25/2805
116/63 P
D762,475 S * 8/2016 Turner D9/454
D767,387 S * 9/2016 Wyatt D9/443
D820,677 S * 6/2018 D'Anglade B65F 1/16
D9/435
D906,106 S * 12/2020 Marantis B65D 79/005
D9/443
2007/0228058 A1 * 10/2007 Brown B65D 79/005
220/796
2009/0026208 A1 * 1/2009 McKenzie B65F 1/1468
220/495.06
2009/0166369 A1 * 7/2009 Savicki B65D 43/0218
220/781

2011/0198364 A1 * 8/2011 Chen B65D 43/0206
220/780
2013/0082067 A1 * 4/2013 Drogo B65D 43/0202
220/713
2014/0374428 A1 * 12/2014 Watson B65D 43/02
220/780

OTHER PUBLICATIONS

“24 Gallon Heavy Duty Galvanized Trash Can Lid WHD24L,”
Trashcans Unlimited, Trash Cans Unlimited, LLC (accessed at
www.trashcansunlimited.com on Aug. 3, 2020), publicly available
prior to Apr. 27, 2019 (4 pages).
“Round Silver Trash Can,” ZORO, Zoro Tools, Inc. (accessed at
www.zoro.com on Aug. 3, 2020), publicly available prior to Apr. 27,
2019 (4 pages).
“Trash/Utility Cans,” Behrens Metalware, Behrens Manufacturing
Company (accessed at www.behrensmfg.com/product-category/cans/
cans-trash-utility-cans/ on Aug. 3, 2020), publicly available prior to
Apr. 27, 2019 (1 page).
“Witt Industries WCD20L Galvanized Garbage Can Lid, 20 Gallon
Commercial Duty,” EBAY (accessed at (www.ebay.com on Aug. 3,
2020), publicly available prior to Apr. 27, 2018 (3 pages).

* cited by examiner

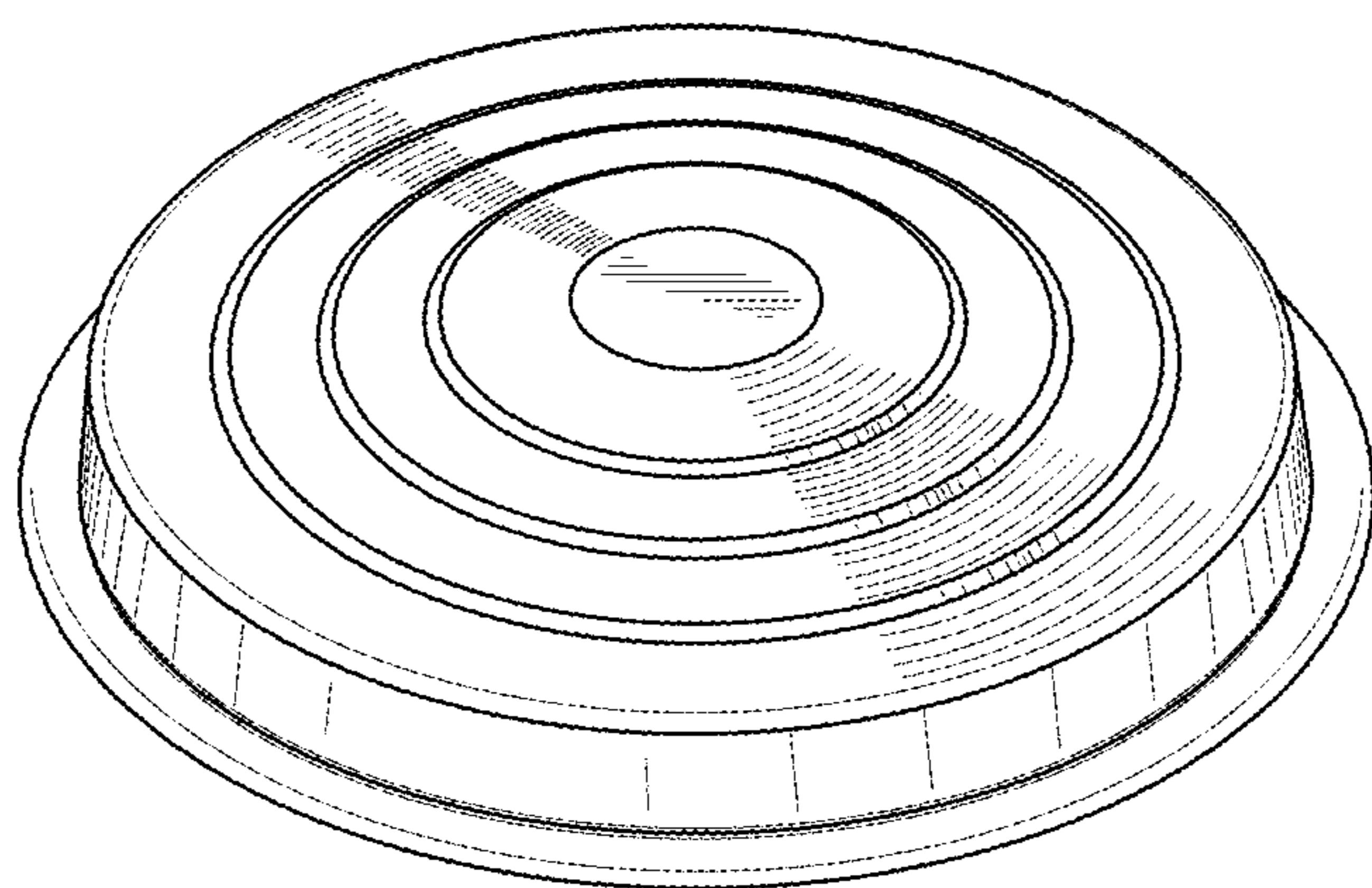


FIG. 1

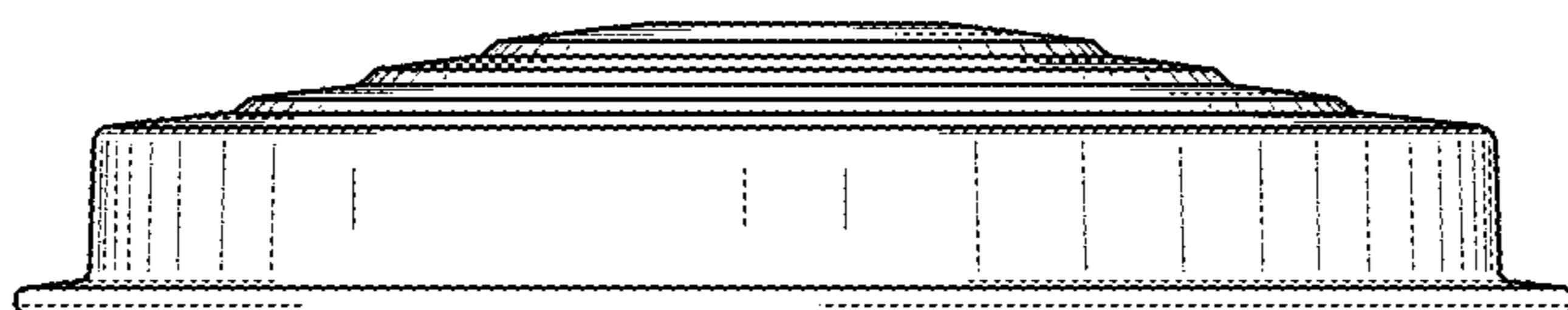


FIG. 2

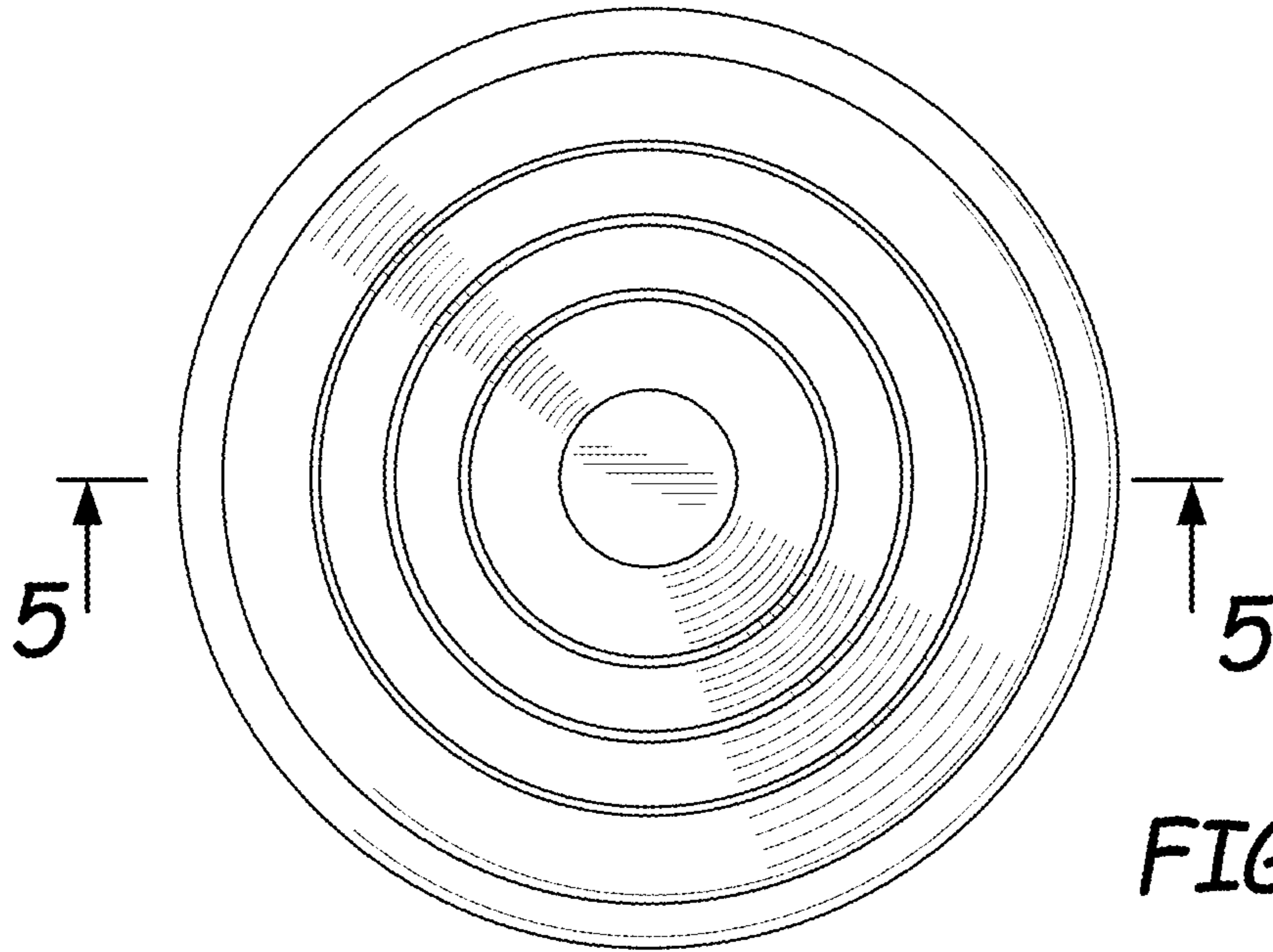


FIG. 3

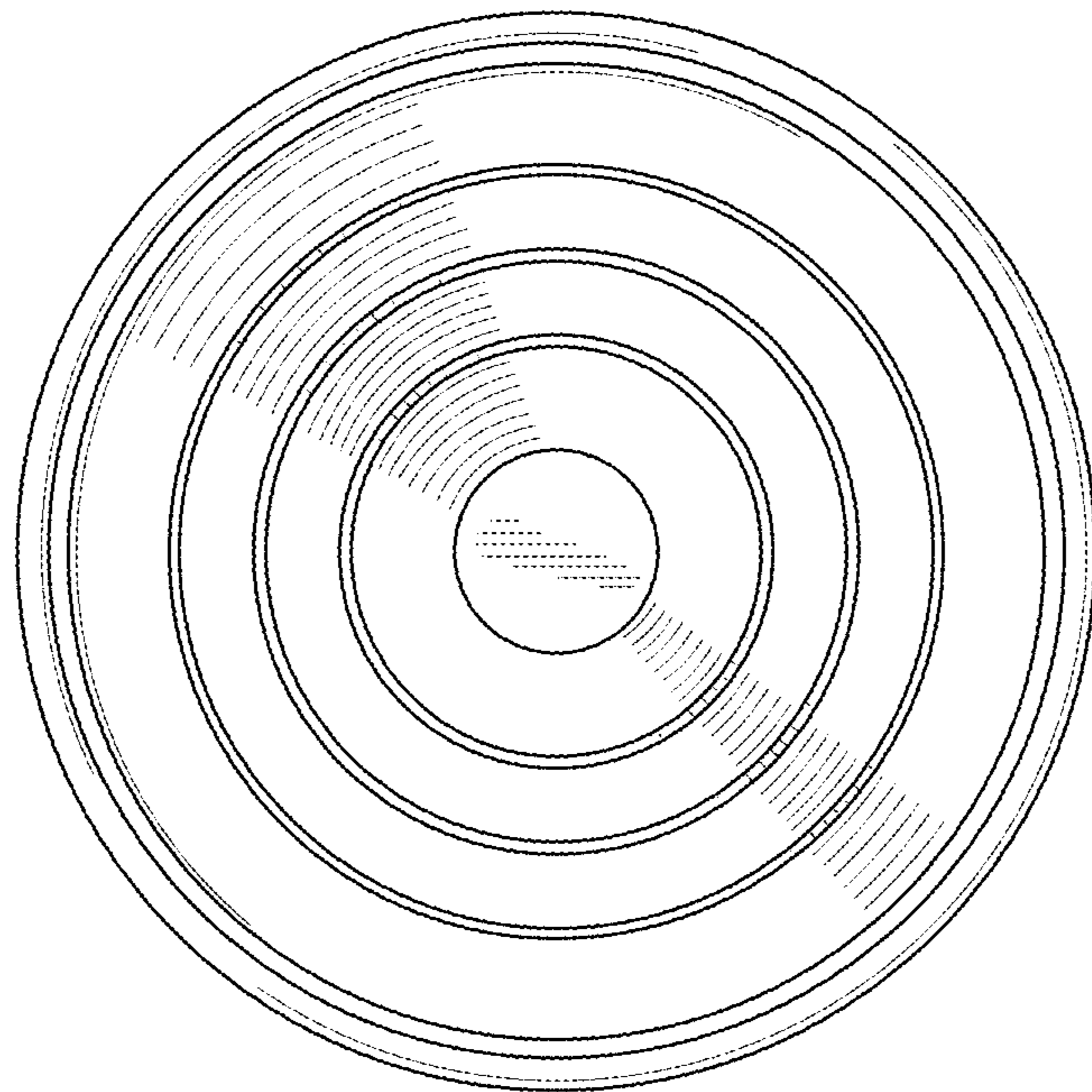


FIG. 4

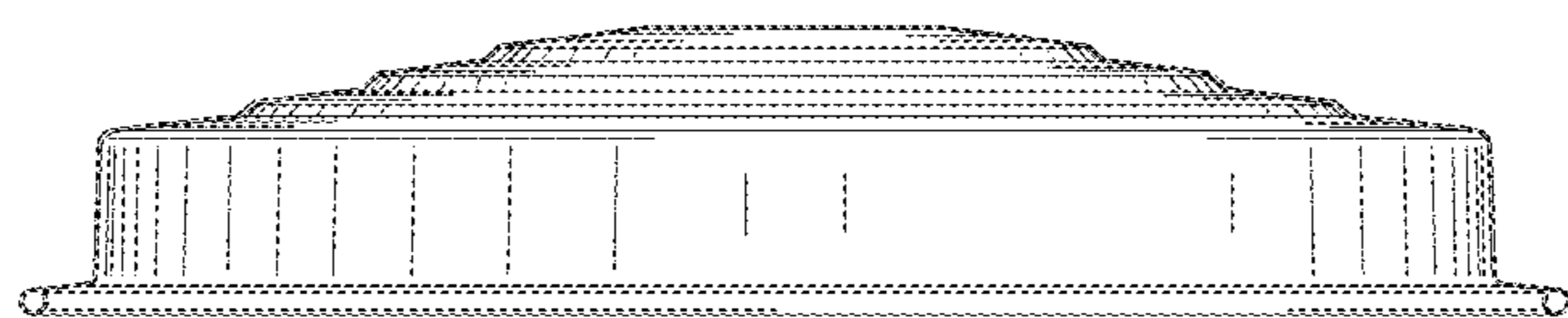


FIG. 5

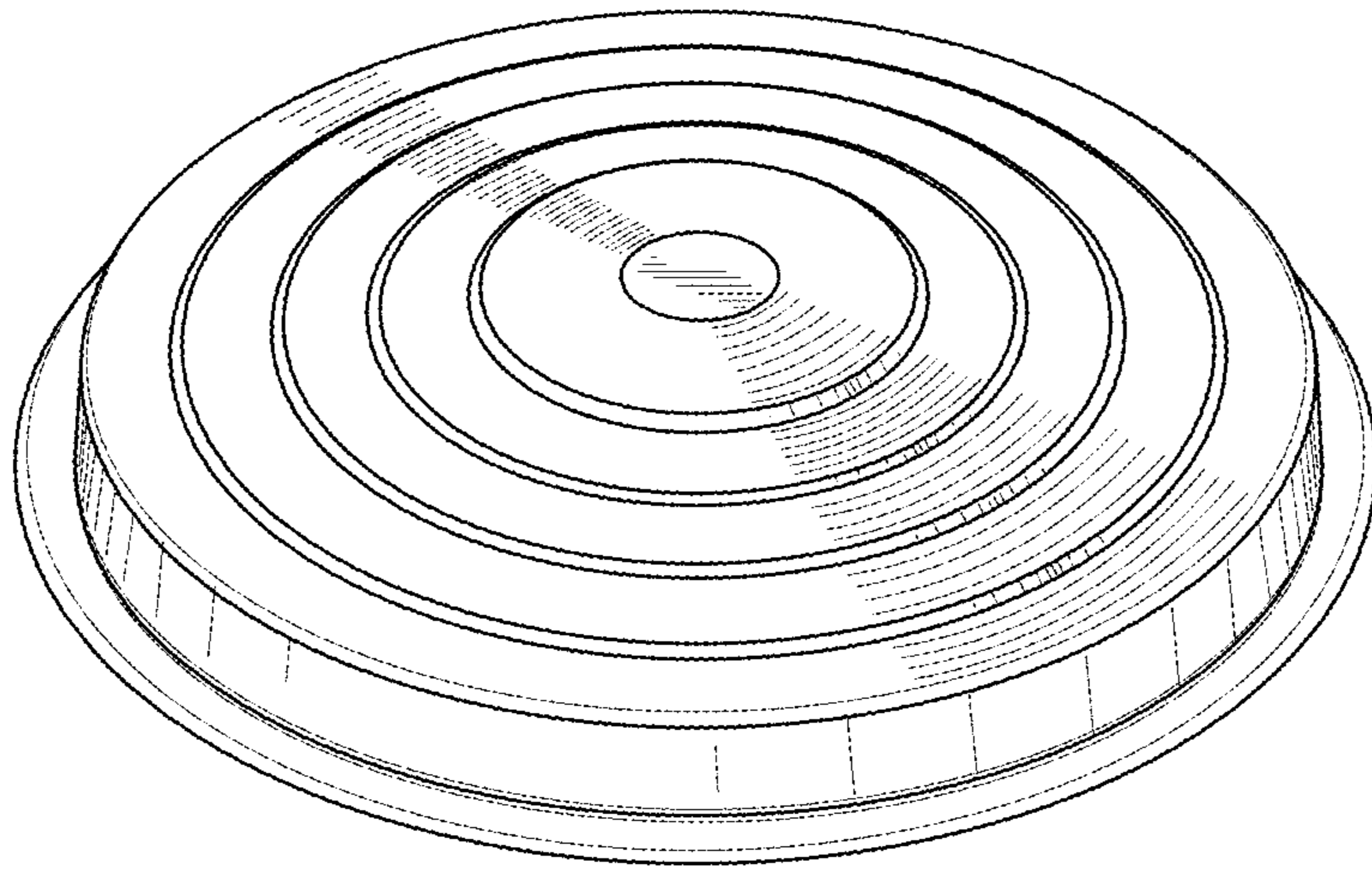


FIG. 6

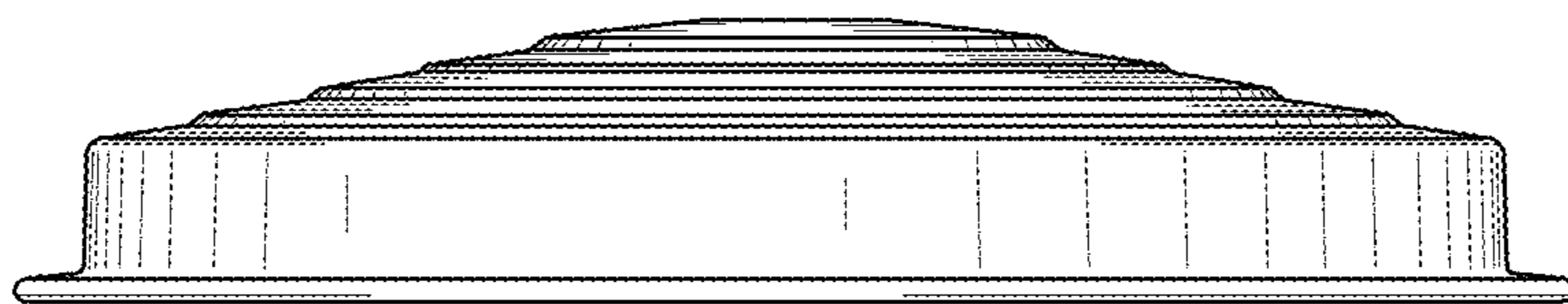


FIG. 7

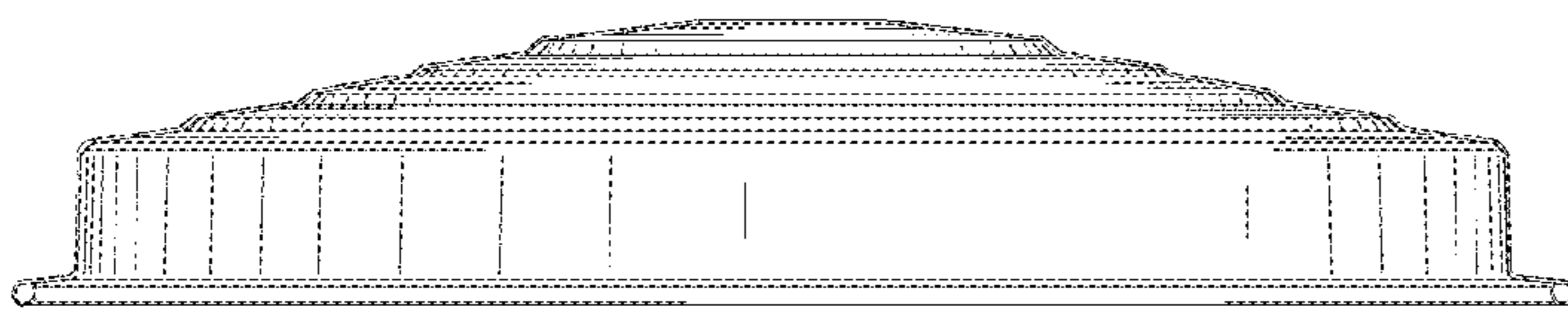
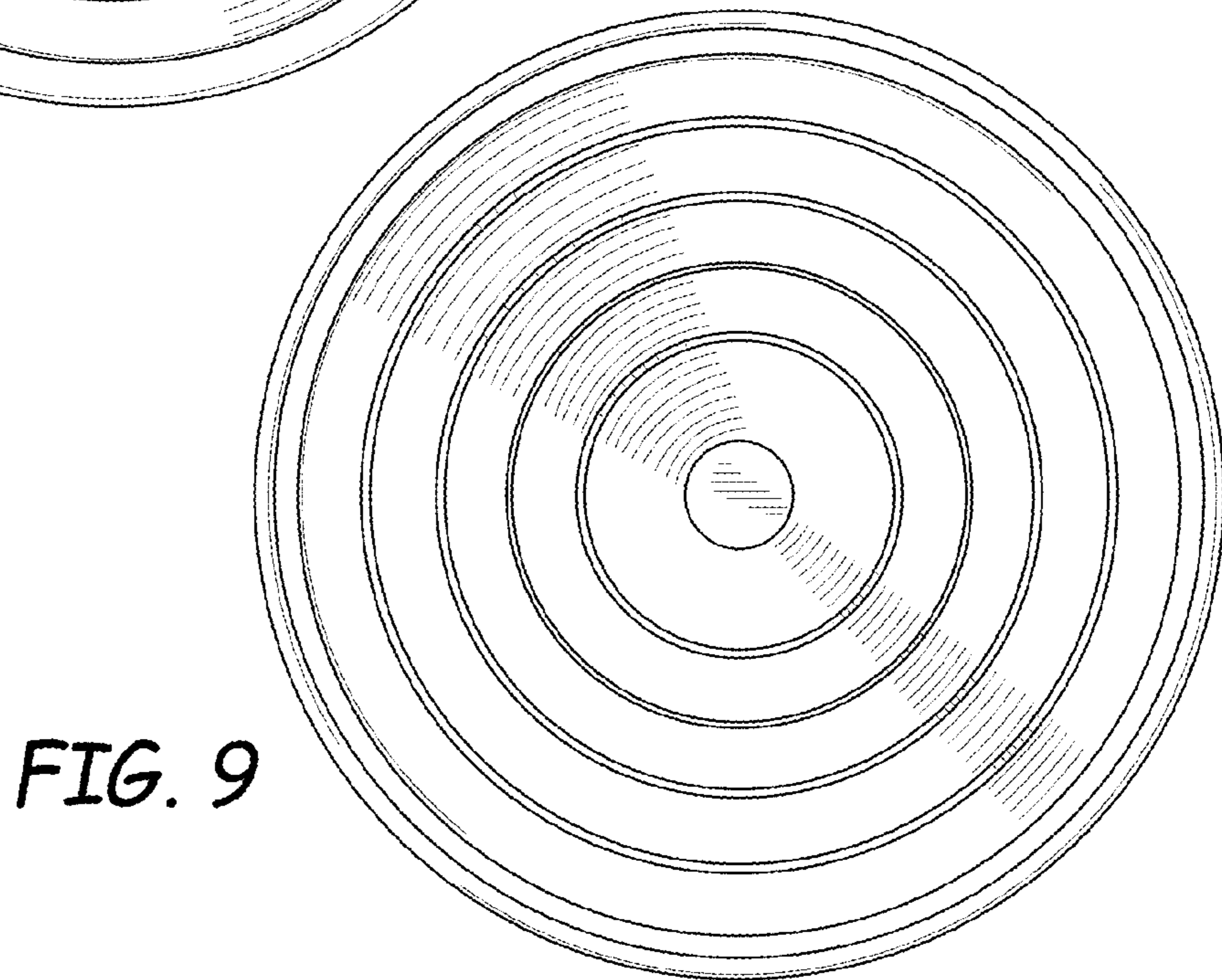
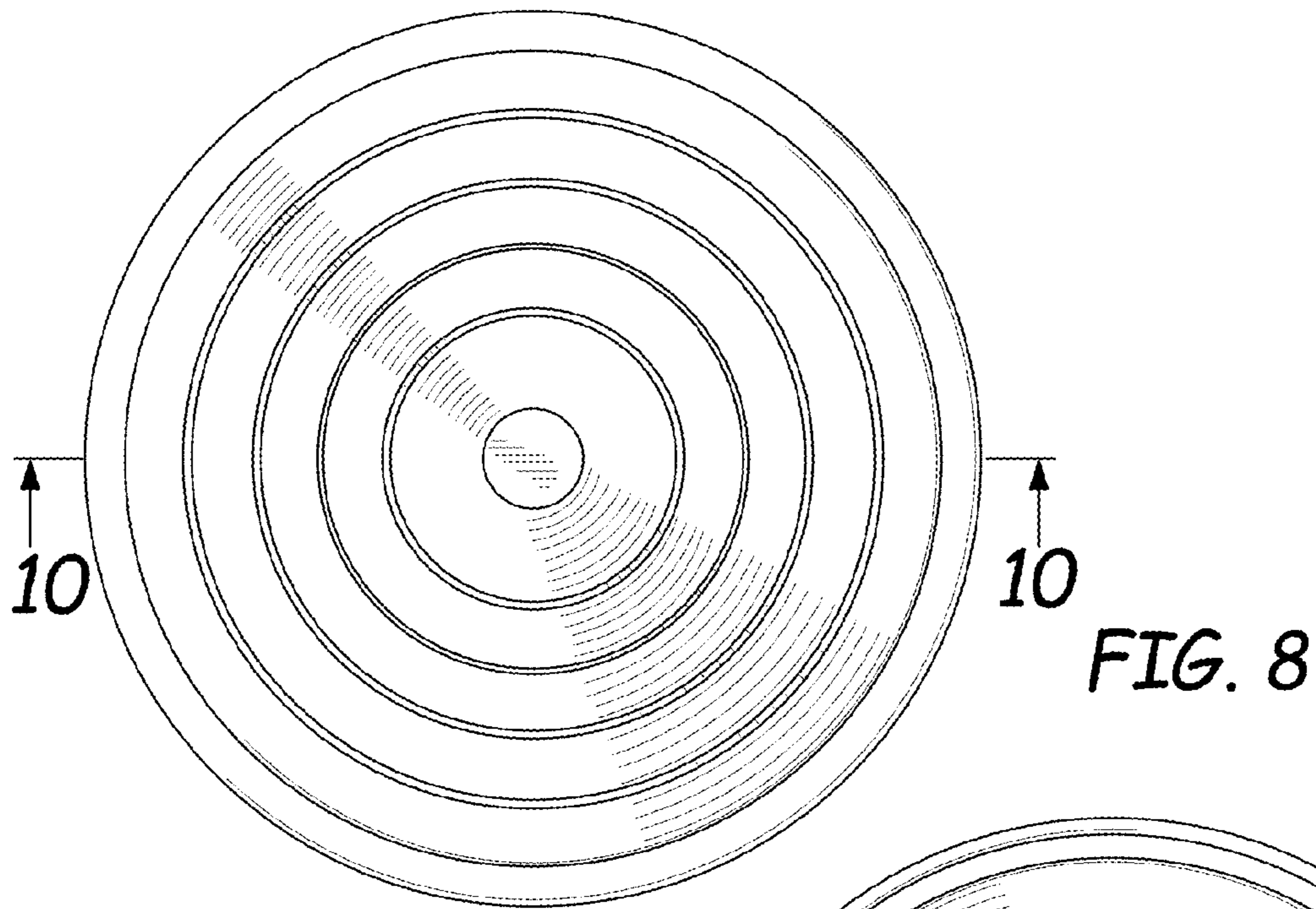


FIG. 10

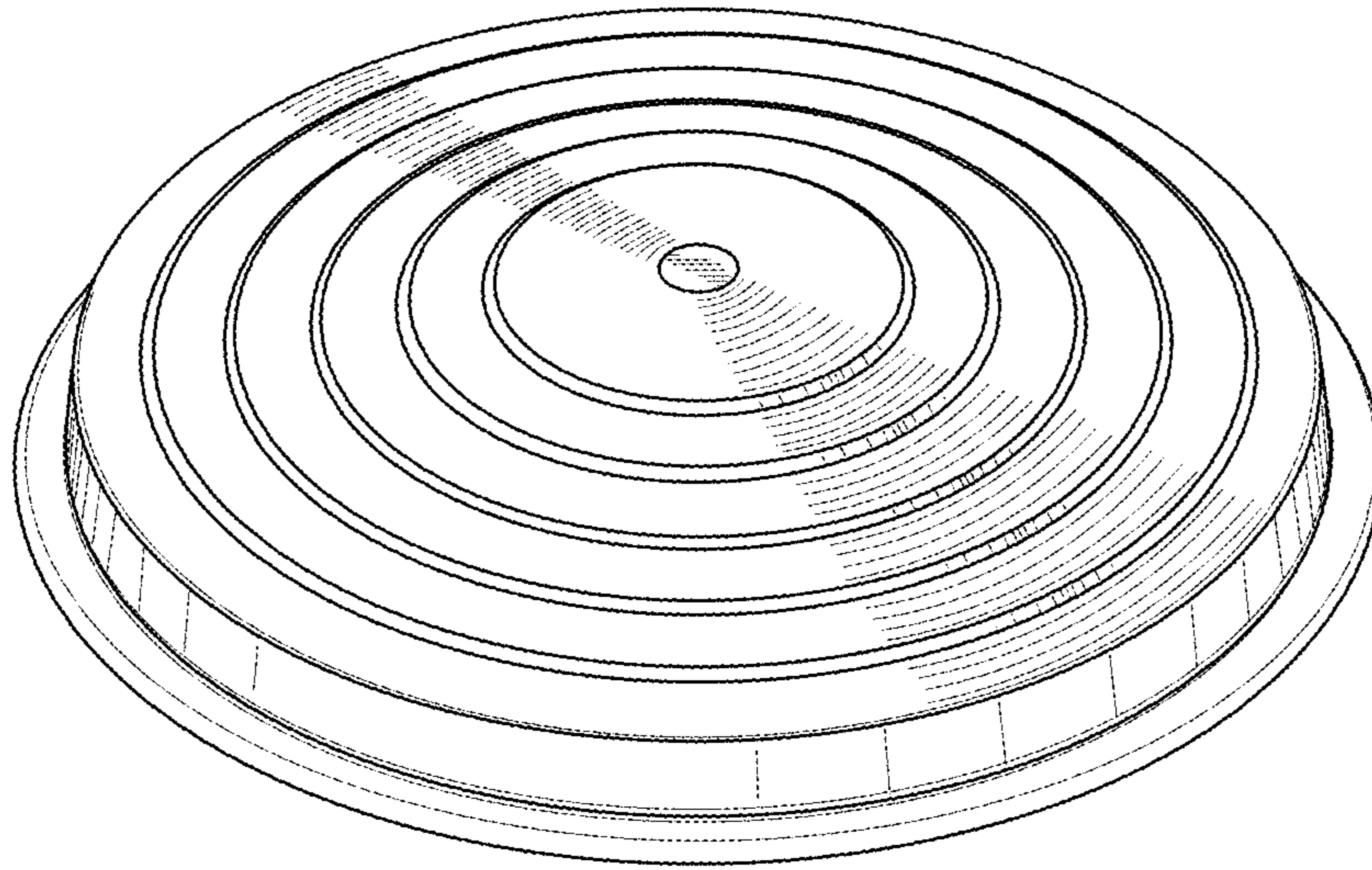


FIG. 11



FIG. 12

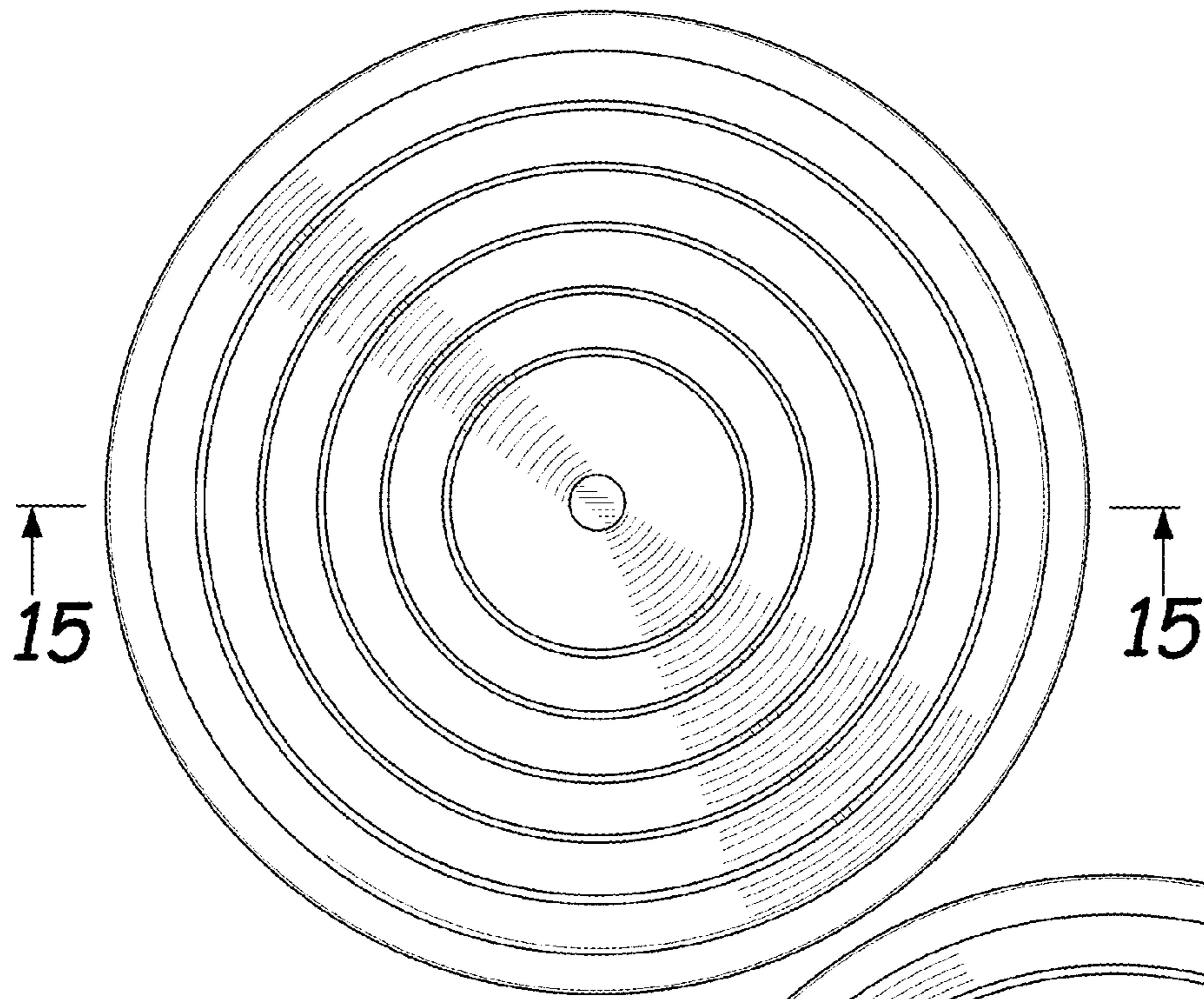


FIG. 13

FIG. 14

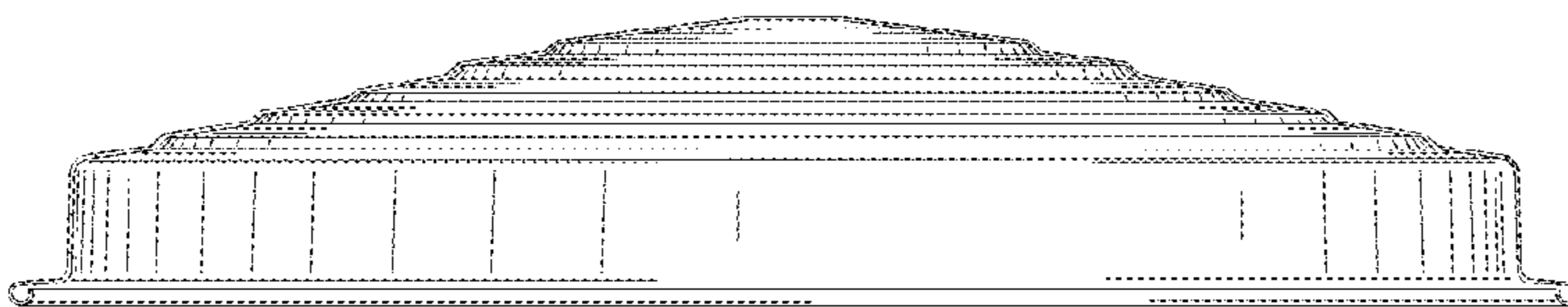
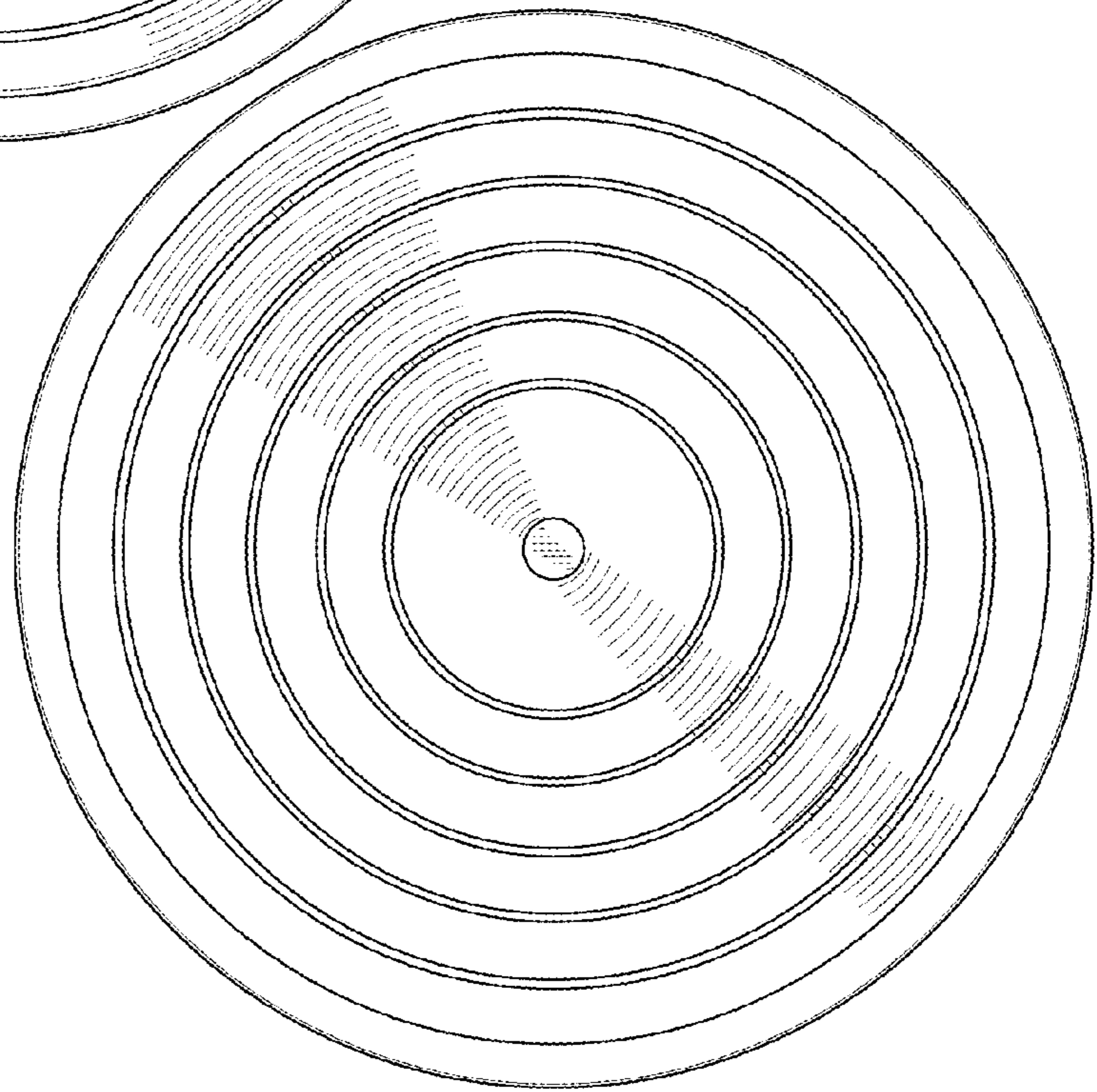


FIG. 15

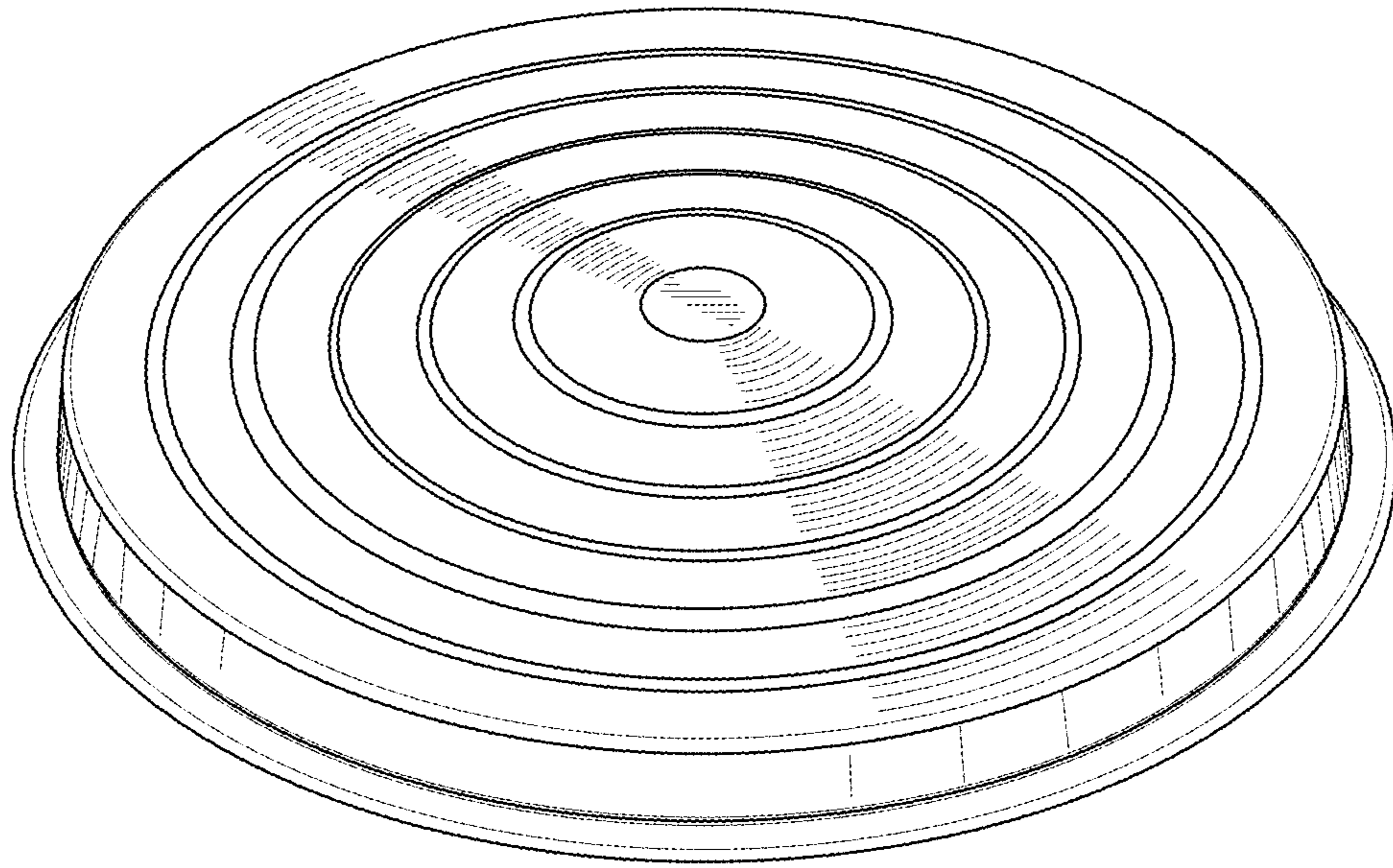


FIG. 16

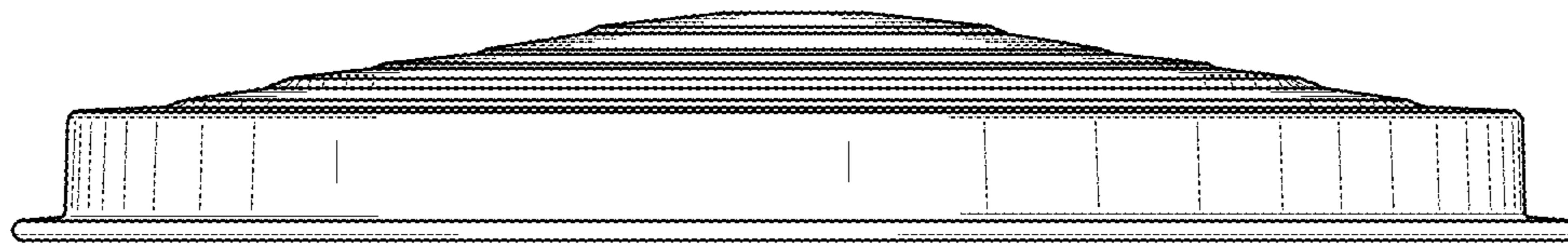


FIG. 17

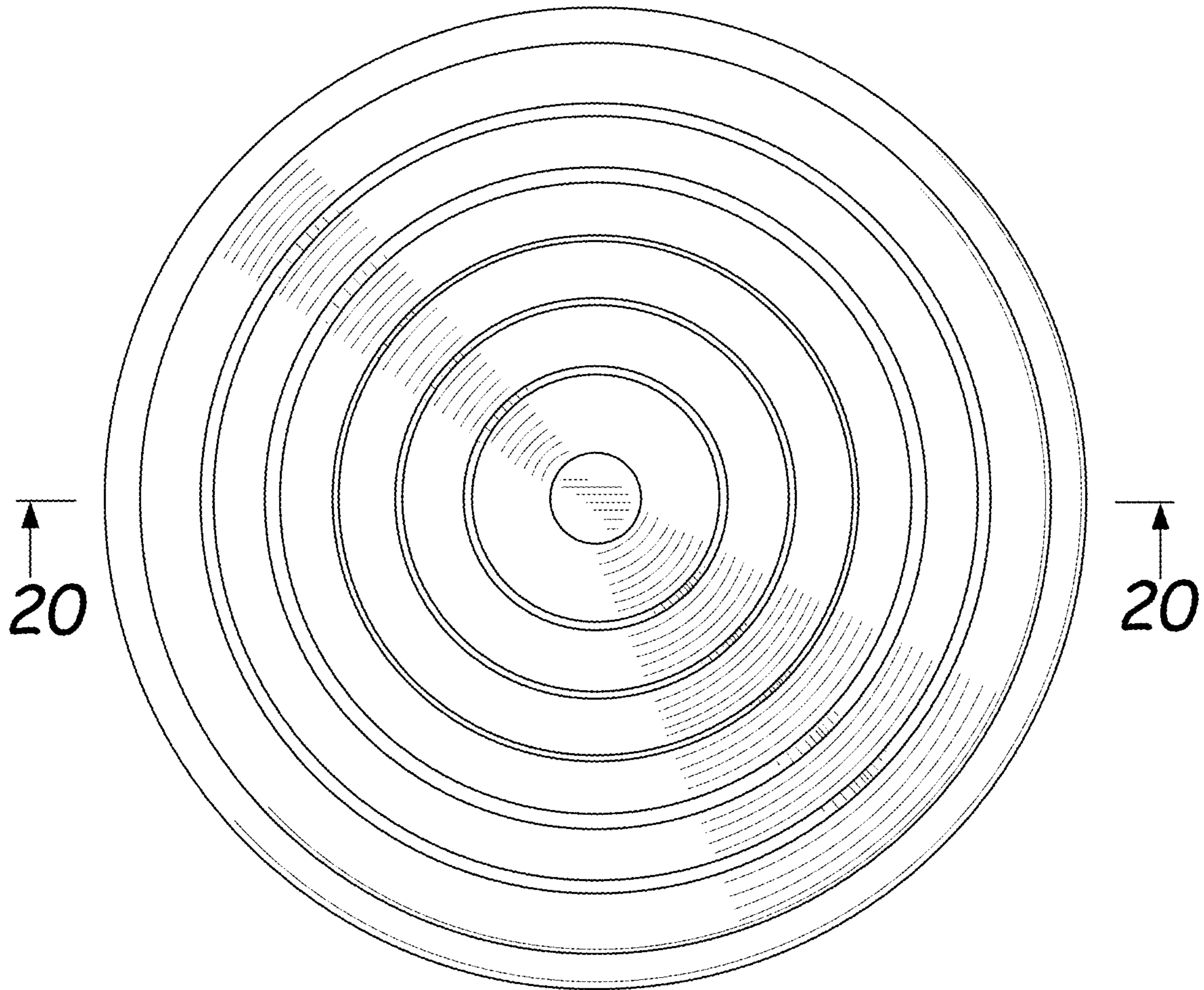


FIG. 18

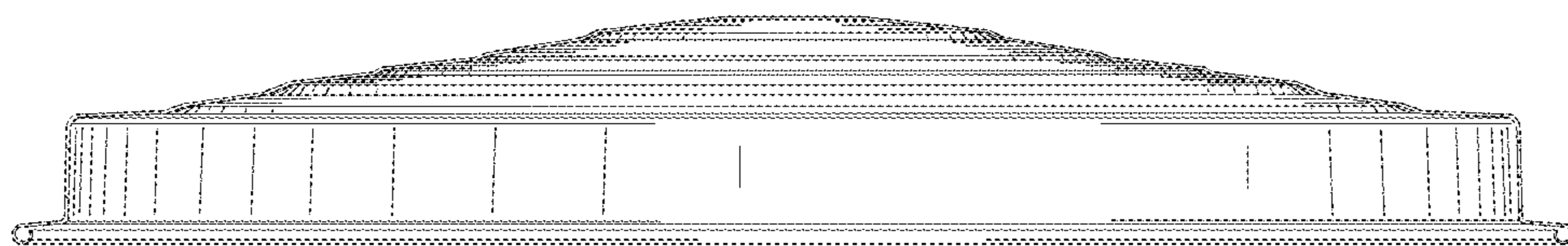


FIG. 20

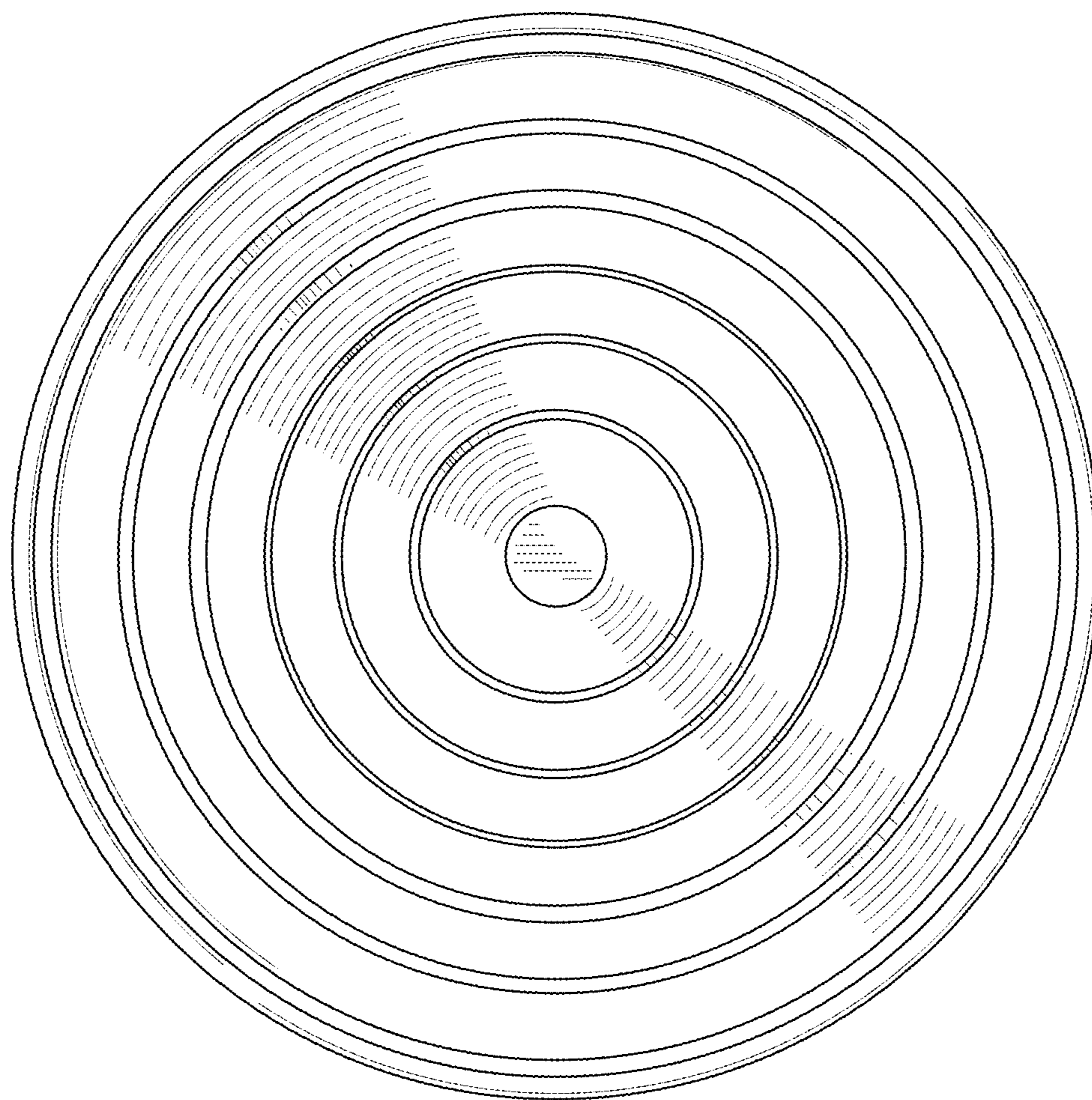


FIG. 19