



US00D944483S

(12) **United States Design Patent**
Felsenthal et al.

(10) **Patent No.:** **US D944,483 S**

(45) **Date of Patent:** **** Feb. 22, 2022**

(54) **GLOVE AND MITTEN DRYER**
(71) Applicant: **Whitmor, Inc.**, Southaven, MS (US)
(72) Inventors: **Sandy Felsenthal**, Memphis, TN (US);
Gil Gaska, Germantown, TN (US)

3,133,682 A * 5/1964 Sawyer D06F 59/04
223/78
3,409,142 A * 11/1968 Mechaneck F26B 9/00
211/85.3
3,608,738 A * 9/1971 Andersen A47L 23/20
211/38

(Continued)

(73) Assignee: **Whitmor, Inc.**, Southaven, MS (US)

(**) Term: **15 Years**

(21) Appl. No.: **29/746,248**

(22) Filed: **Aug. 12, 2020**

(51) **LOC (13) Cl.** **07-05**

(52) **U.S. Cl.**
USPC **D32/58**

(58) **Field of Classification Search**
USPC D6/514, 600.1, 680.3, 682.6; D7/600.2,
D7/704; D32/8, 55, 56, 58
CPC A63H 3/04; A47L 23/205; A47L 23/20;
A47G 25/76; A47G 19/08; A43D 95/12;
B65D 85/70; A47F 5/01; F26B 21/001;
F26B 21/008; F26B 9/00; F26B 20/00;
D06F 59/04; H01J 17/491; A47J 29/06
See application file for complete search history.

(56) **References Cited**

U.S. PATENT DOCUMENTS

390,571 A * 10/1888 Currie, Jr. A47G 25/76
223/82
1,221,165 A * 4/1917 Gillam D06F 59/04
223/80
1,467,187 A * 9/1923 Metzger H01J 17/491
313/631
1,517,432 A * 12/1924 Kayte A47J 29/06
99/440
1,755,902 A * 4/1930 Tascarella D06F 59/04
211/182
1,904,725 A * 4/1933 Gerhold A47G 19/08
211/41.2

OTHER PUBLICATIONS

Freestanding Dryer <https://www.dcgstores.com/freestanding-boot-glove-dryer-coated-wire-rckm.html> (Year: 2021).*

(Continued)

Primary Examiner — George A Bugg
Assistant Examiner — Richard E Yenchesky
(74) *Attorney, Agent, or Firm* — Stites & Harbison
PLLC; Richard S. Myers, Jr.

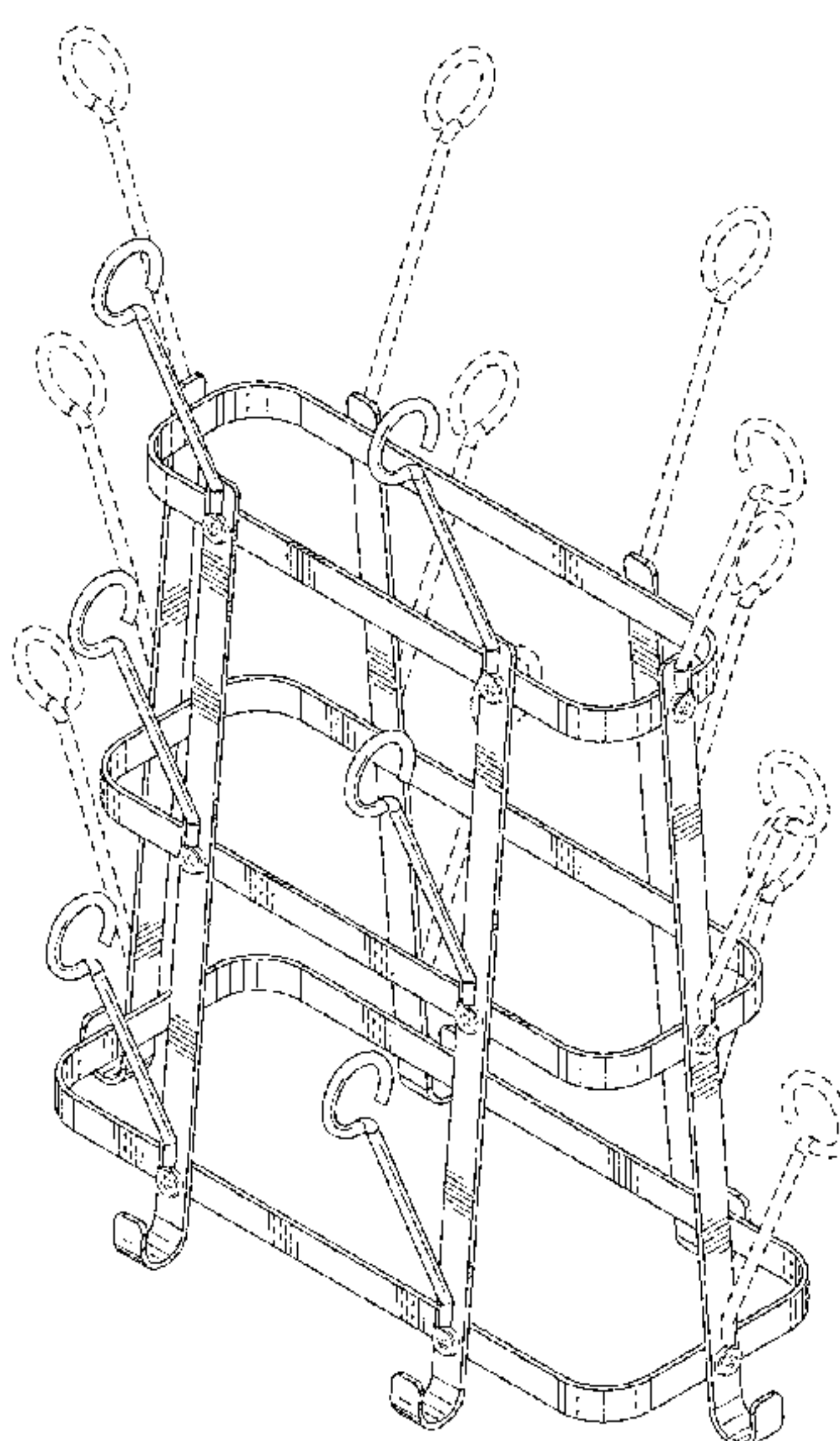
(57) **CLAIM**

The ornamental design for a glove and mitten dryer, as shown and described.

DESCRIPTION

FIG. 1 is a front perspective view of the design of glove and mitten dryer of the present invention;
FIG. 2 is a front elevation view of the glove and mitten dryer shown in FIG. 1;
FIG. 3 is a right elevation view of the glove and mitten dryer shown in FIG. 1;
FIG. 4 is a left elevation view of the glove and mitten dryer shown in FIG. 1;
FIG. 5 is a back elevation view of the design of the glove and mitten dryer shown in FIG. 1;
FIG. 6 is a bottom plan view of the glove and mitten dryer shown in FIG. 1; and,
FIG. 7 is a top plan view of the glove and mitten dryer shown in FIG. 1.
The broken lines of FIGS. 1-7 illustrate portions of the article that form no part of the claimed design.

1 Claim, 4 Drawing Sheets



(56)

References Cited

U.S. PATENT DOCUMENTS

4,209,913 A * 7/1980 Wallin D06F 59/04
223/51
D260,463 S * 9/1981 Imus D6/514
4,727,656 A * 3/1988 Jannach A47L 23/20
34/104
D310,742 S * 9/1990 Johnson D32/58
4,991,756 A * 2/1991 Benjamin D06F 59/04
223/72
D322,344 S * 12/1991 Winkler D32/58
D353,923 S * 12/1994 Drake D32/55
D361,914 S * 9/1995 Nagy D32/58
D385,758 S * 11/1997 Hollinger D7/704
5,692,316 A * 12/1997 Antal A47L 23/205
34/106
D393,783 S * 4/1998 Goodman D7/704
5,778,556 A * 7/1998 Ohsugi A47L 23/20
34/106
D412,231 S * 7/1999 Williams D32/58
5,983,518 A * 11/1999 Ellenburg D06F 59/04
34/104
D439,716 S * 3/2001 Wright D32/55
D526,863 S * 8/2006 Goodman D7/704
D529,348 S * 10/2006 Goodman D7/704
D539,104 S * 3/2007 Goodman D6/682.6
D585,169 S * 1/2009 Barzegar D32/58
D628,865 S * 12/2010 Guindi D7/704
D652,697 S * 1/2012 Guindi D7/704
D676,294 S * 2/2013 Tu D7/704
D687,203 S * 7/2013 Long D32/58
D687,610 S * 8/2013 Jonsson D32/55
D710,635 S * 8/2014 Pryor D6/680.3
8,984,766 B2 * 3/2015 Williams A47L 23/205
34/381

D727,115 S * 4/2015 Goodman D7/704
D738,696 S * 9/2015 Goodman D7/704
D766,052 S * 9/2016 Guindi D7/704
D768,442 S * 10/2016 Lee D7/600.2
9,512,556 B1 * 12/2016 Kazravan A47F 5/01
D814,252 S * 4/2018 Lee D7/704
D818,776 S * 5/2018 Morgan D7/600.1
10,138,051 B2 * 11/2018 Buggs B65D 85/70
10,292,457 B2 * 5/2019 Adkison A43D 95/12
D850,736 S * 6/2019 Williams D32/8
D877,998 S * 3/2020 Wang D32/58
D896,458 S * 9/2020 Han D32/55
2003/0009902 A1 * 1/2003 Kirk A47L 23/20
34/104
2004/0181963 A1 * 9/2004 Morris D06F 59/04
34/103
2013/0185951 A1 * 7/2013 Williams F26B 20/00
34/60
2013/0212900 A1 * 8/2013 Stewart A61L 2/16
34/275
2013/0233816 A1 * 9/2013 Greenfield A47B 49/00
211/85.3
2016/0090684 A1 * 3/2016 Smoots F26B 21/008
34/104
2016/0184730 A1 * 6/2016 Seder A63H 3/04
446/236
2018/0105972 A1 * 4/2018 Smoots F26B 21/001

OTHER PUBLICATIONS

Snowman mitten dryer <https://www.timelesswroughtiron.com/Snowman-Mitten-Dryer-p/twi-md-s-8-175.htm> (Year: 2021).*

* cited by examiner

FIG. 1

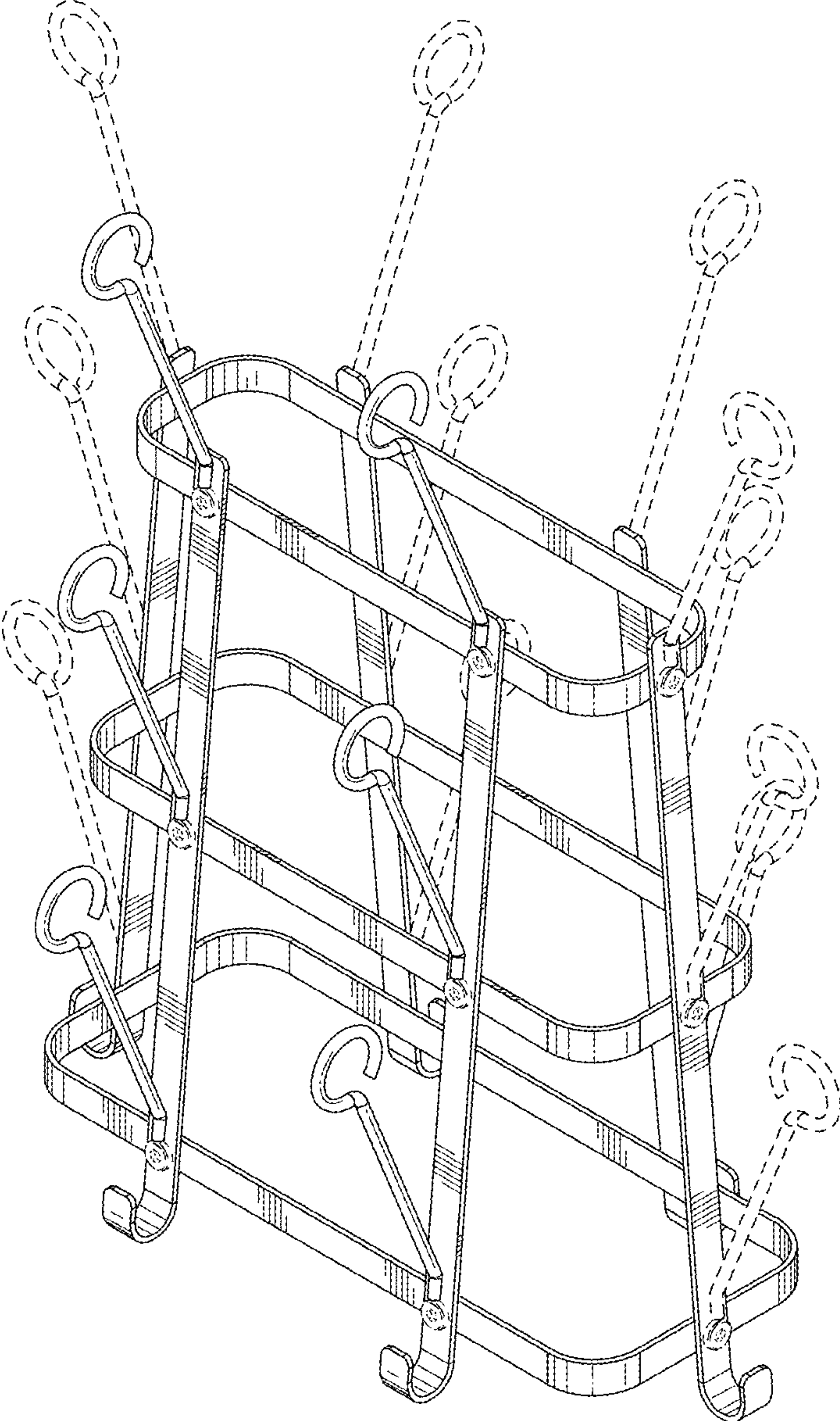


FIG. 2

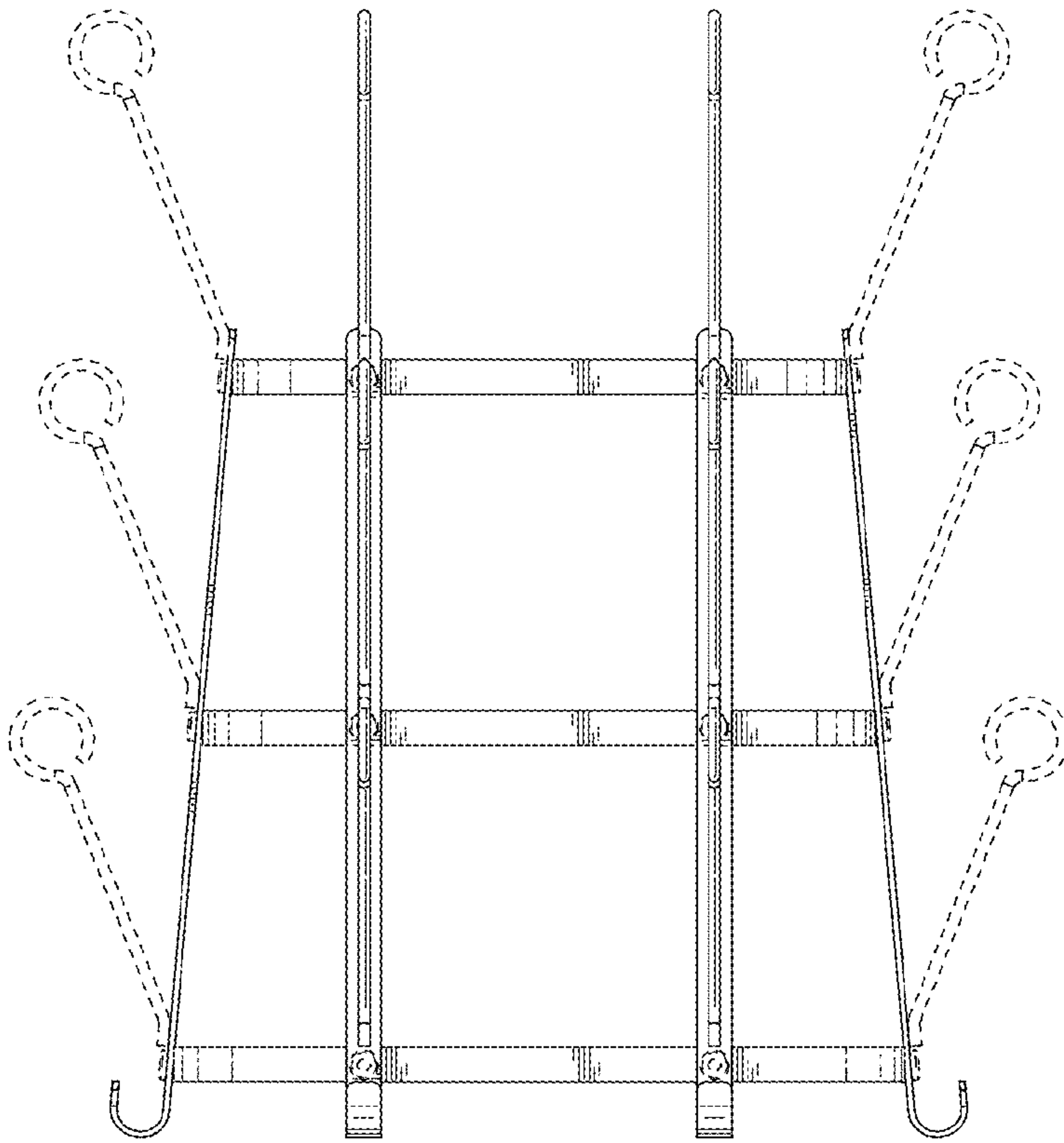


FIG. 3

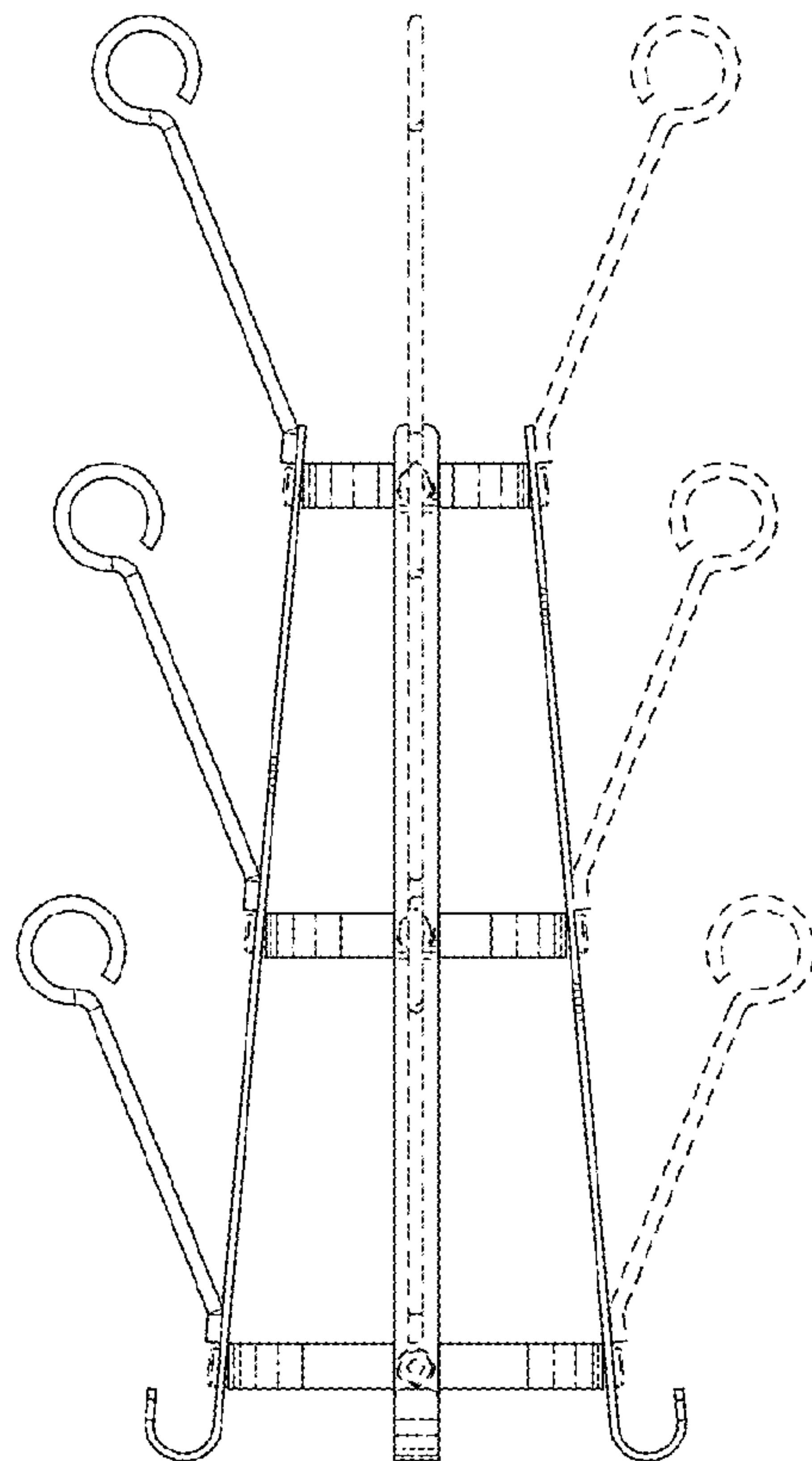


FIG. 4

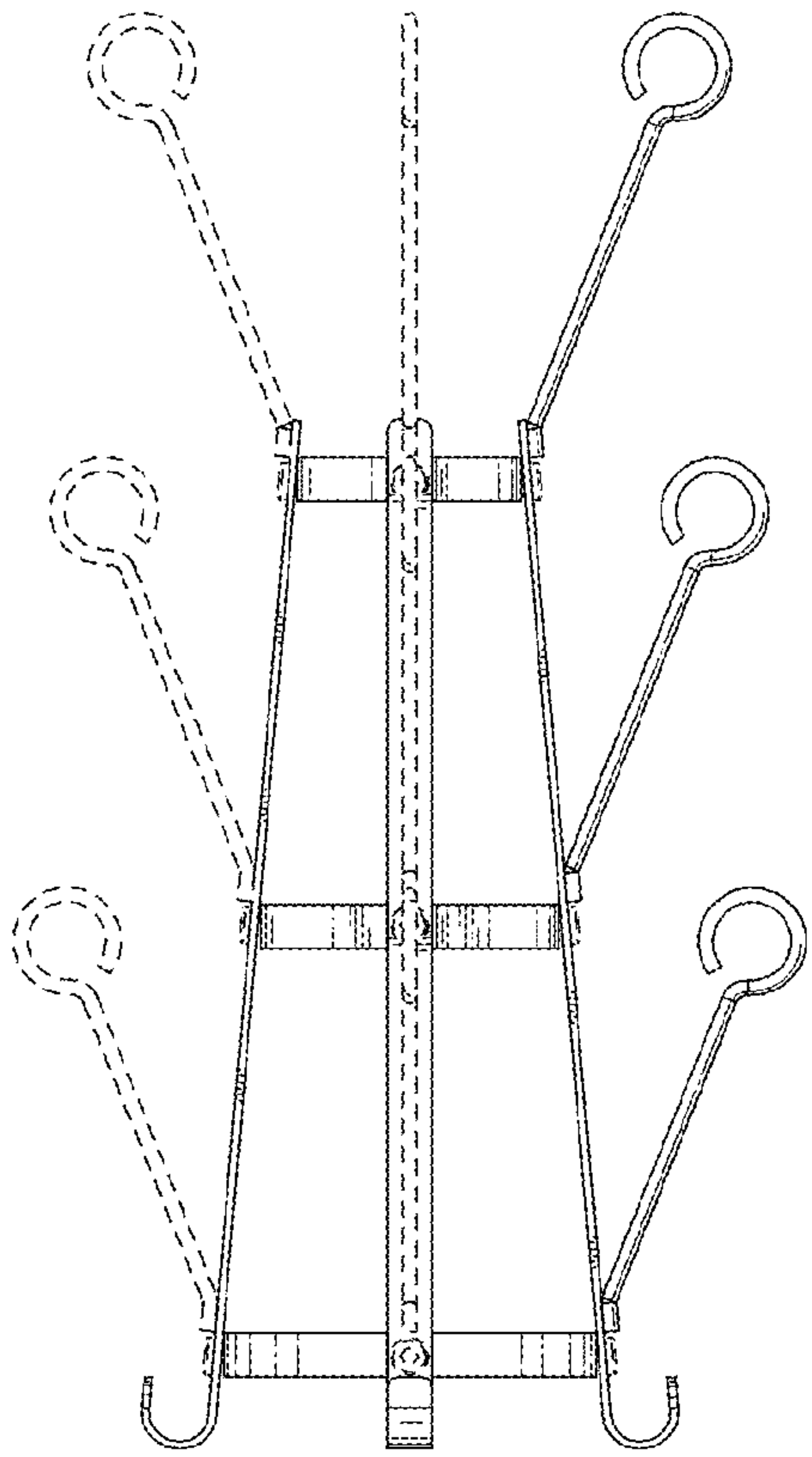


FIG. 5

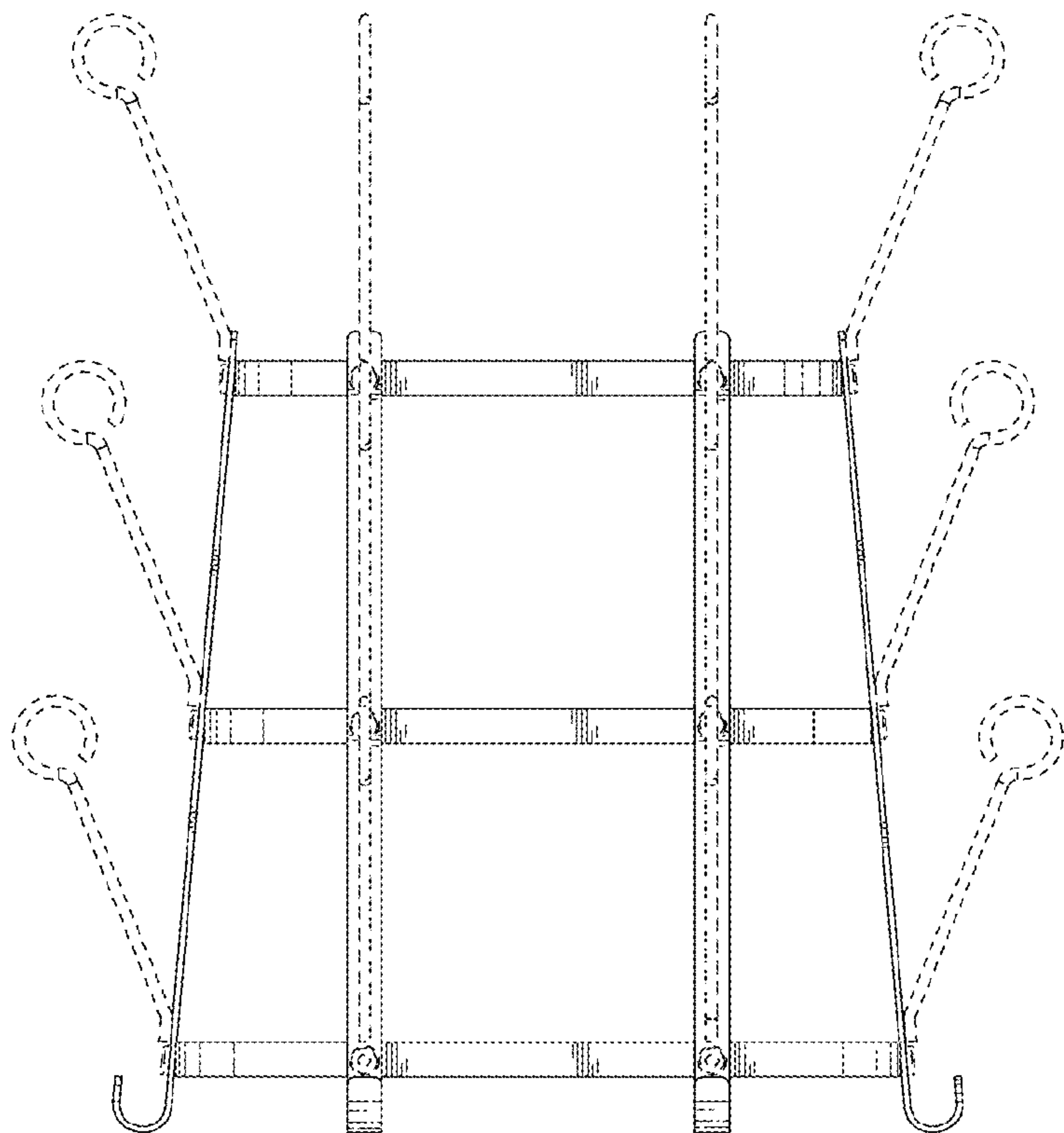


FIG. 6

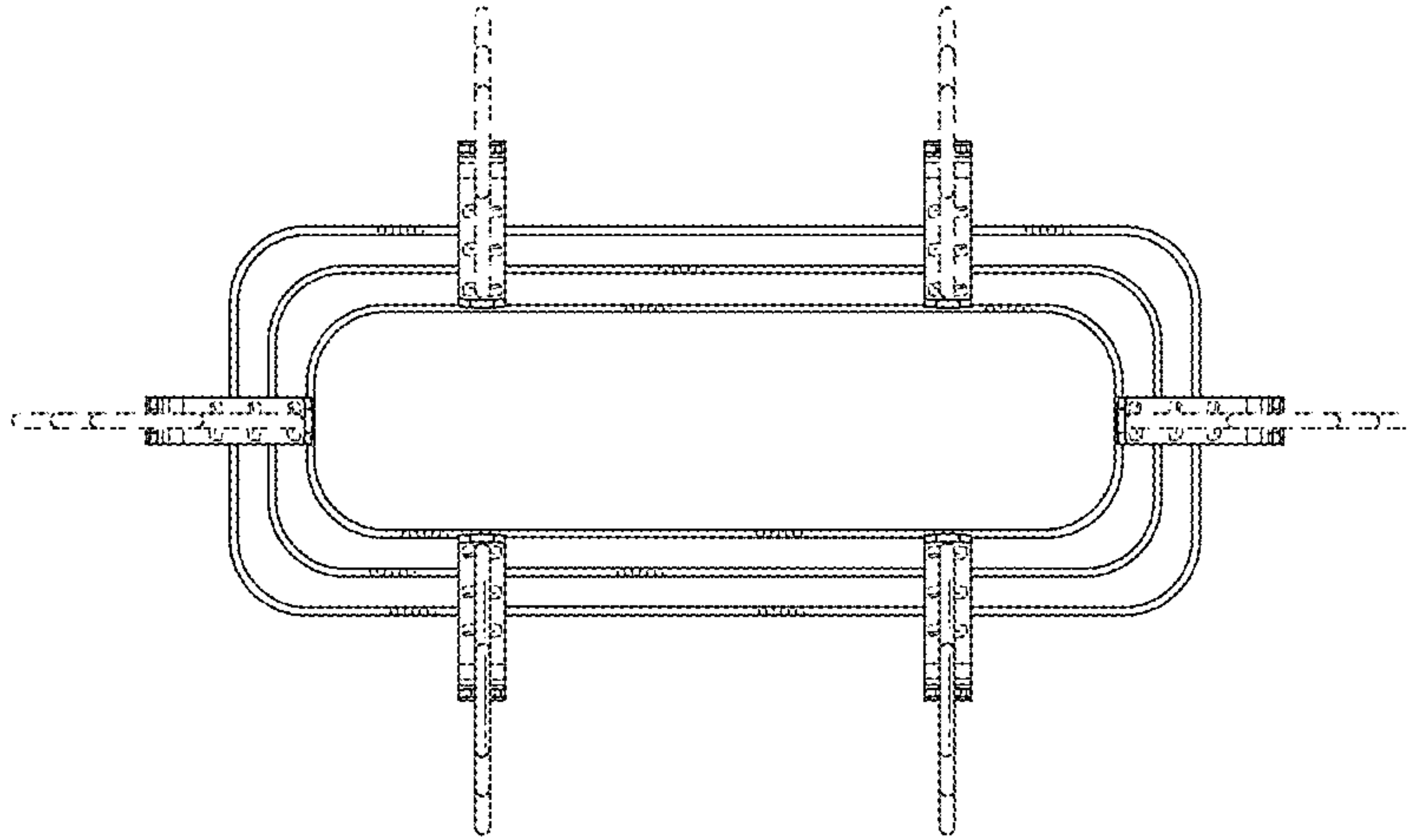


FIG. 7

