

US00D944482S

(12) **United States Design Patent**  
**Foster**

(10) **Patent No.:** **US D944,482 S**

(45) **Date of Patent:** **\*\* Feb. 22, 2022**

(54) **BUCKET HANDLE ASSEMBLY**

(71) Applicant: **Norman Foster**, Kirkwood, MO (US)

(72) Inventor: **Norman Foster**, Kirkwood, MO (US)

(\*\*) Term: **15 Years**

(21) Appl. No.: **29/708,168**

(22) Filed: **Oct. 3, 2019**

**Related U.S. Application Data**

(63) Continuation of application No. 15/364,850, filed on Nov. 30, 2016, now Pat. No. 10,472,130.

(51) **LOC (13) Cl.** ..... **07-05**

(52) **U.S. Cl.**

USPC ..... **D32/53**

(58) **Field of Classification Search**

USPC ..... D9/434, 454; D24/128; D32/53, 54

CPC ..... B65D 21/0222; B65D 25/2867; B65D

25/48; B65D 25/2835; B65D 25/2808;

B65D 25/2897; B65D 1/16; B65D 25/32;

B65B 67/12; B29C 45/0017; B29C 45/44;

A01K 97/05; B25H 3/00; B65F 1/06;

A45F 5/102; B44D 3/125; B44D 3/123;

B44D 3/128; B44D 3/126; A47J 45/075;

A47J 45/07; A47J 43/281; A47J 47/18;

A47G 23/0266; A45C 5/02; H01M

50/256; A61M 3/0208; B60R 11/00

See application file for complete search history.

(56) **References Cited**

**U.S. PATENT DOCUMENTS**

1,472,997 A \* 11/1923 Stevenson ..... H01M 50/256

294/170

2,026,536 A \* 1/1936 Hothersall ..... A47J 47/18

220/755

2,156,274 A \* 5/1939 Brown ..... A47J 47/18

217/125

2,452,025 A \* 10/1948 Dunn ..... B44D 3/128

248/110

RE23,911 E \* 12/1954 Tatter ..... B44D 3/128

220/701

2,806,732 A \* 9/1957 Montanaro ..... A47G 23/0266

294/33

2,815,146 A \* 12/1957 Silver ..... B44D 3/128

220/698

2,837,256 A \* 6/1958 Daner ..... B65D 25/48

222/568

2,852,144 A \* 9/1958 Reno ..... B44D 3/123

211/65

(Continued)

**OTHER PUBLICATIONS**

SS Handle [https://farmandranchdepot.com/SS\\_Handle\\_f\\_MP120X\\_-and-\\_MP140X\\_Approved\\_Poly\\_Bucket.html](https://farmandranchdepot.com/SS_Handle_f_MP120X_-and-_MP140X_Approved_Poly_Bucket.html) (Year: 2021).\*

*Primary Examiner* — Michelle E. Wilson

*Assistant Examiner* — Richard E Yenchesky

(74) *Attorney, Agent, or Firm* — Sandberg Phoenix & von Gontard, P.C.

(57)

**CLAIM**

What is claimed is the ornamental design for a bucket handle assembly, as shown and described.

**DESCRIPTION**

FIG. 1 is a perspective view of a first representative embodiment of a bucket handle assembly, shown in conjunction with the upper portion of a representative bucket body;

FIG. 2 is a front elevational view of FIG. 1;

FIG. 3 is a top plan view of FIG. 1;

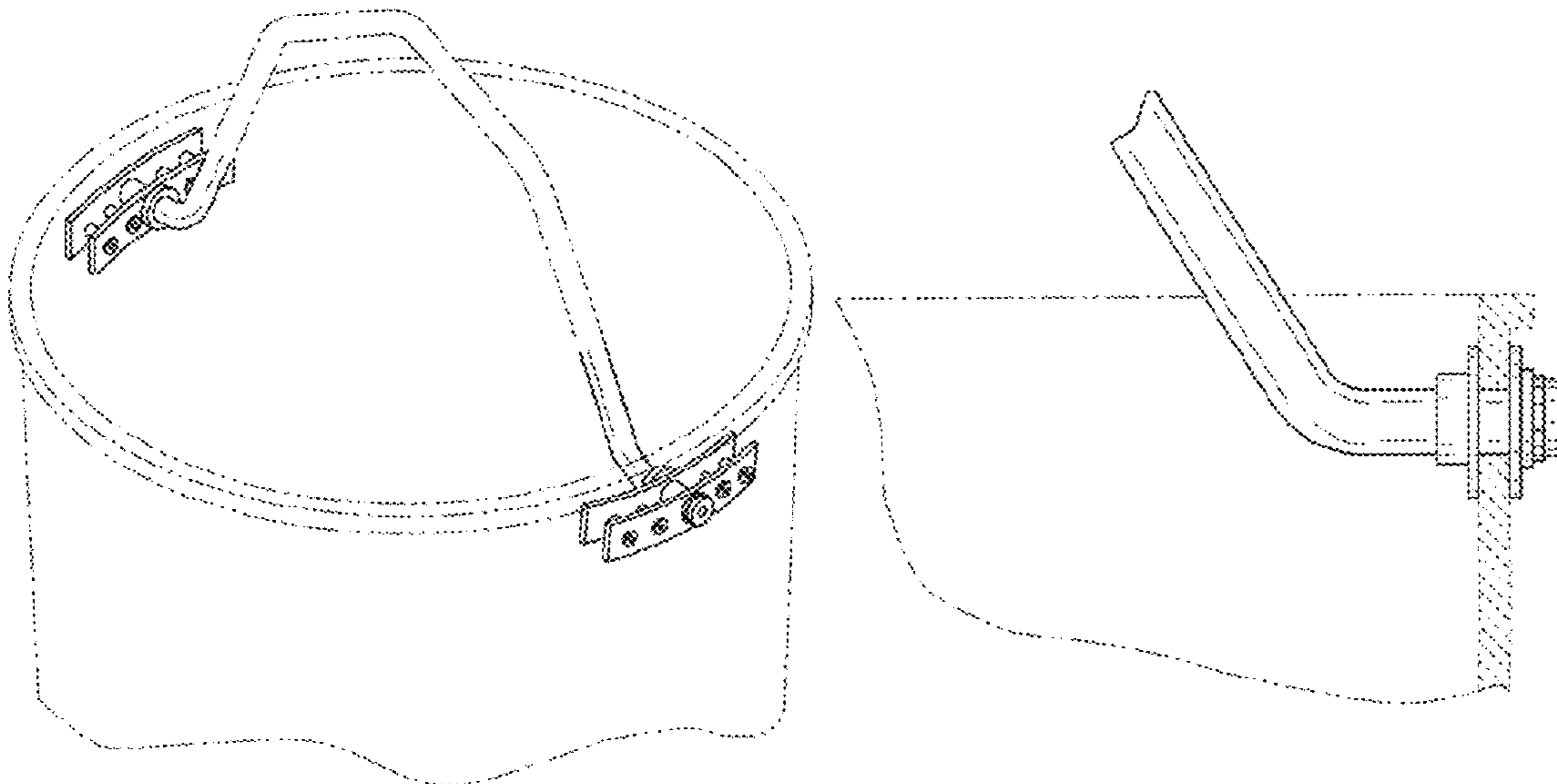
FIG. 4 bottom plan view of FIG. 1;

FIG. 5 is a side elevational view of FIG. 1; and,

FIG. 6 is a partial front elevational view of FIG. 2.

The broken lines in the drawings illustrate portions of a bucket handle assembly and/or other bucket components that form no part of the claimed design.

**1 Claim, 3 Drawing Sheets**



(56)

References Cited

U.S. PATENT DOCUMENTS

2,960,257 A *	11/1960	Sasse	B44D 3/128	6,352,169 B2 *	3/2002	Foster	A47J 45/07
			220/701				220/755
3,061,140 A *	10/1962	Barnes	B44D 3/128	6,494,341 B2 *	12/2002	Perkins	B65D 25/32
			220/699				220/755
3,220,048 A *	11/1965	Tohchung	A47J 45/075	6,536,078 B2 *	3/2003	Tsai	A45C 5/02
			220/759				16/114.1
3,291,337 A *	12/1966	Jenkins	B44D 3/123	6,820,848 B1 *	11/2004	Adam	B44D 3/128
			220/697				220/697
3,329,307 A *	7/1967	Jacobson	B44D 3/128	D530,052 S *	10/2006	Berti	D32/53
			220/695	D558,419 S *	12/2007	Zychlinski	D32/53
3,586,200 A *	6/1971	Kramer	B65D 25/32	7,425,028 B1 *	9/2008	Angel	B60R 11/00
			220/755				16/422
3,701,558 A *	10/1972	Baker	B65D 25/2867	7,520,547 B2 *	4/2009	Cornelissen	B44D 3/123
			294/33				15/257.05
4,210,258 A *	7/1980	von Holdt	B65D 21/0222	D608,066 S *	1/2010	Pearl	D32/53
			206/508	D631,630 S *	1/2011	Berti	D32/53
4,313,292 A *	2/1982	McWilliams	B65B 67/12	D640,758 S *	6/2011	Kino	D21/532
			248/99	D652,596 S *	1/2012	Manuel	D32/53
4,632,357 A *	12/1986	Von Holdt	B29C 45/0017	D655,471 S *	3/2012	Schnatter	D32/53
			249/122	D673,749 S *	1/2013	Heiser, Jr.	D32/53
4,648,834 A *	3/1987	Von Holdt	B29C 45/44	D712,107 S *	8/2014	Schnatter	A47J 43/281
			264/334				D32/53
4,677,785 A *	7/1987	Lambourn	A01K 97/05	D720,216 S *	12/2014	Luburic	B65D 25/32
			261/121.2				D9/434
4,757,636 A *	7/1988	Lambourn	A01K 97/05	D759,927 S *	6/2016	Del Rosario Roy	D32/53
			43/57	D782,664 S *	3/2017	Siegel	D24/128
4,941,586 A *	7/1990	Tarna	A47J 47/18	D789,639 S *	6/2017	Schneider	D32/53
			220/17.1	10,858,139 B2 *	12/2020	Eason	B65D 1/16
D322,342 S *	12/1991	Rokita	D32/54	2001/0035422 A1 *	11/2001	Foster	A47J 47/18
D329,597 S *	9/1992	Gallagher	D9/454				220/755
5,350,065 A *	9/1994	Darrey	B25H 3/00	2002/0088729 A1 *	7/2002	Urbanski	B44D 3/125
			206/373				206/373
5,375,703 A *	12/1994	Deuber	B65F 1/06	2009/0266738 A1 *	10/2009	Dunford	B65D 25/2835
			141/98				206/515
D354,596 S *	1/1995	Dancyger	D32/53	2014/0327258 A1 *	11/2014	Ring	B65D 25/2808
6,199,718 B1 *	3/2001	Ellis	B44D 3/126				294/31.2
			220/570	2015/0232233 A1 *	8/2015	Kent	B44D 3/128
6,257,440 B1 *	7/2001	Perkins	B65D 25/32				222/570
			220/755	2015/0360818 A1 *	12/2015	Condiff	B65D 25/2897
D446,618 S *	8/2001	Clark	D32/54				220/608
6,336,255 B1 *	1/2002	Gallup	A45F 5/102	2017/0158376 A1 *	6/2017	Foster	B65D 25/32
			16/110.1	2020/0155753 A1 *	5/2020	Zhang	A61M 3/0208
				2020/0223592 A1 *	7/2020	Williams	B65D 25/32

\* cited by examiner

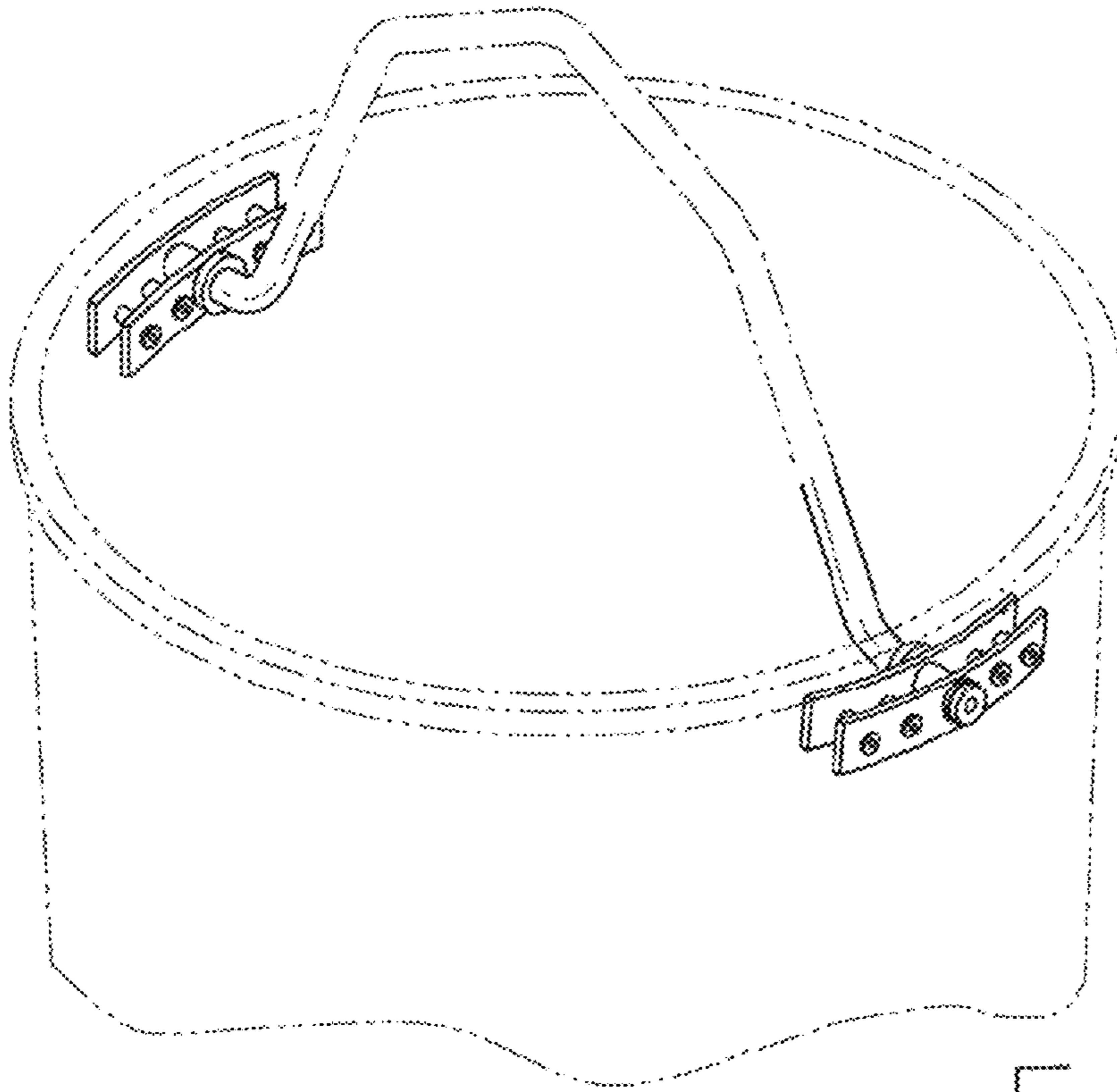


FIG. 1

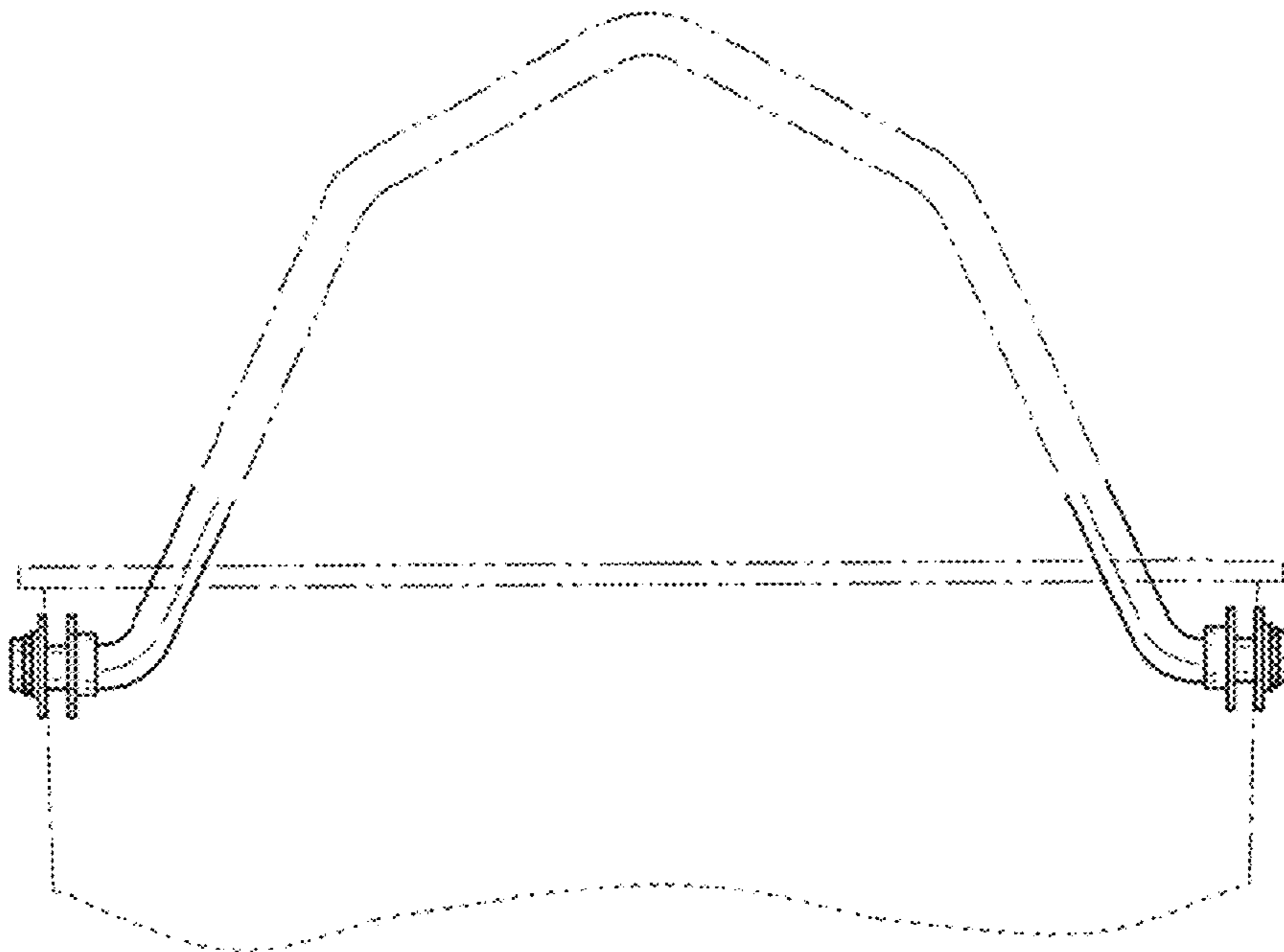


FIG. 2

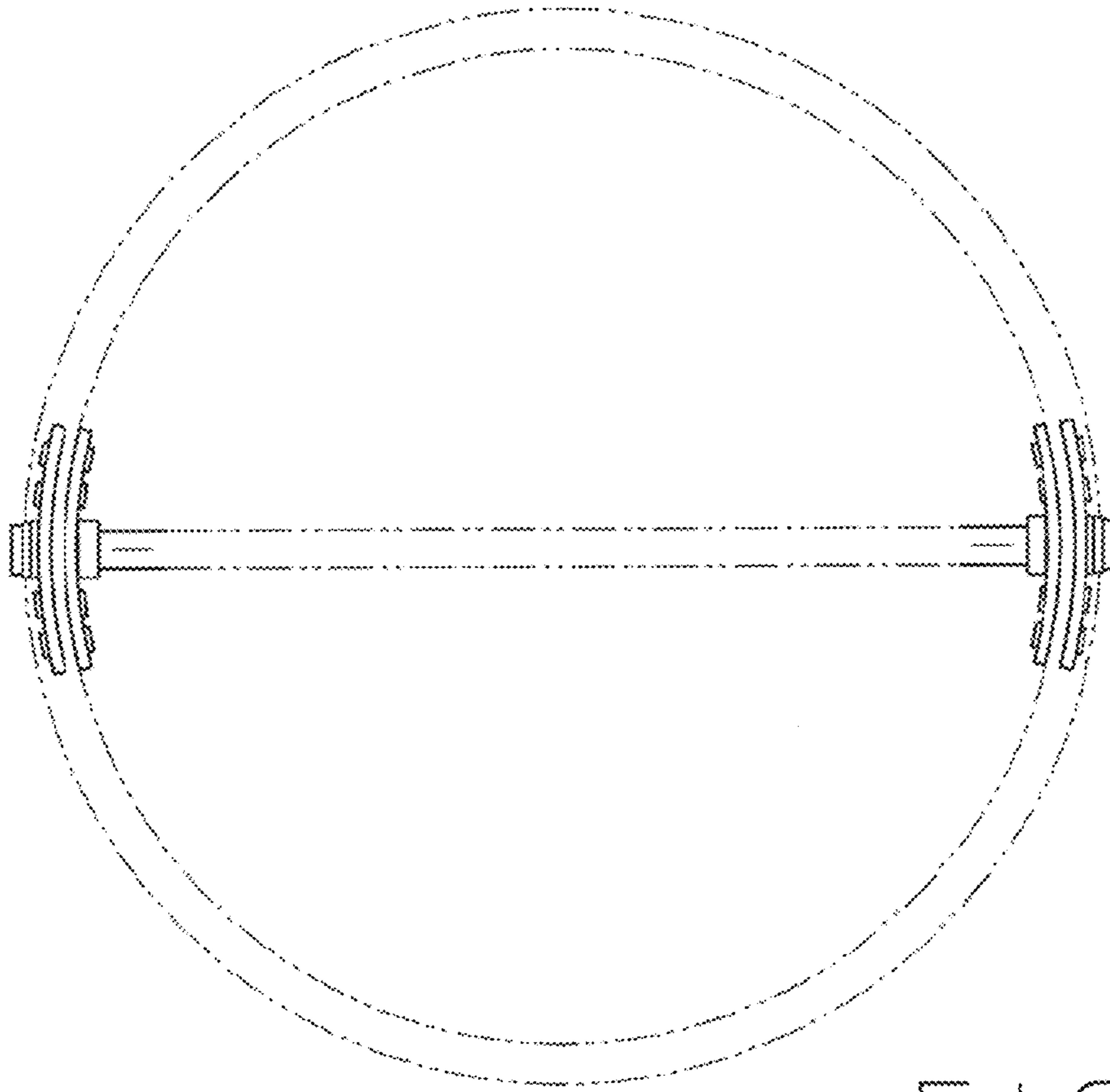


FIG. 3

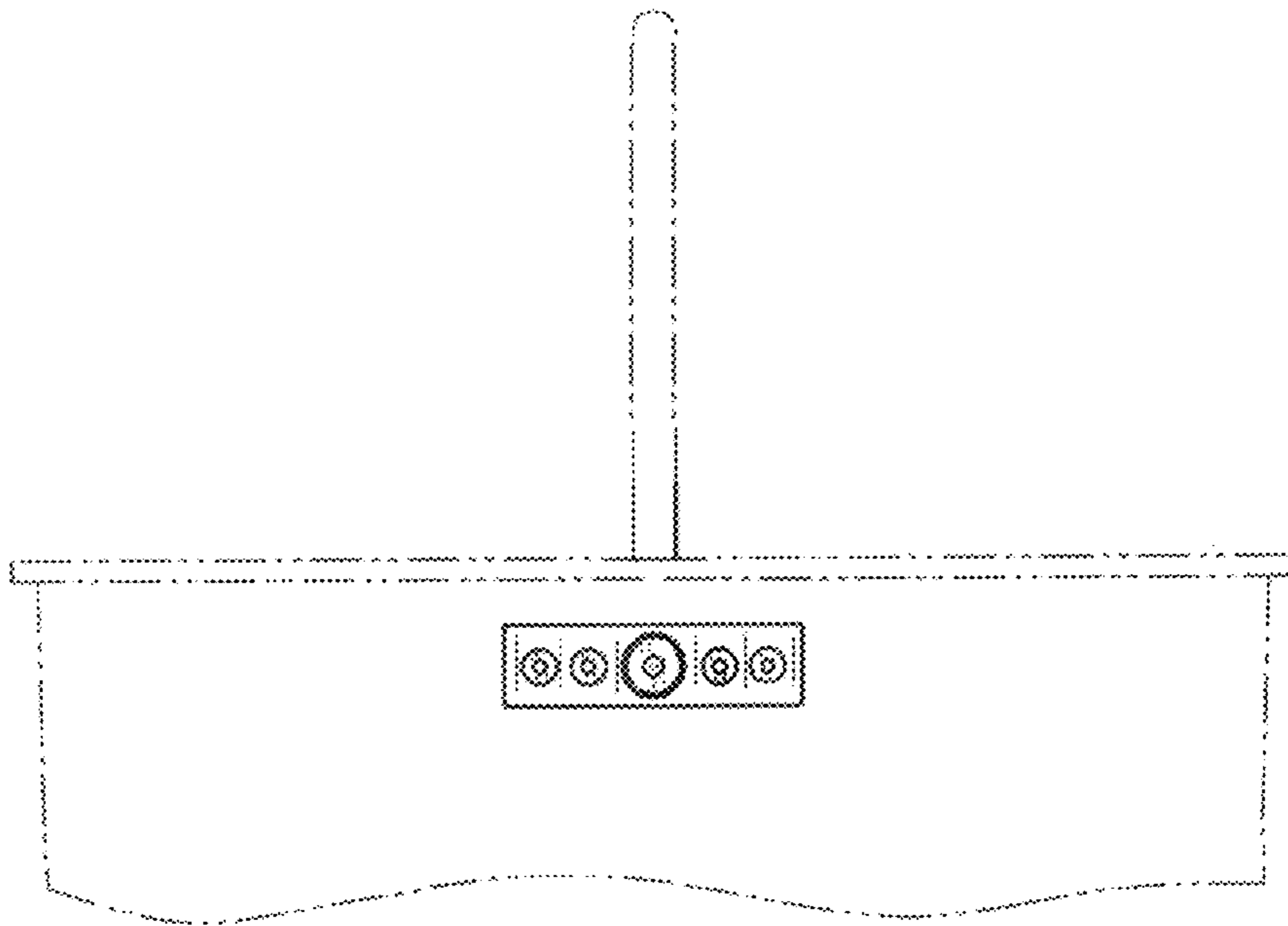


FIG. 5

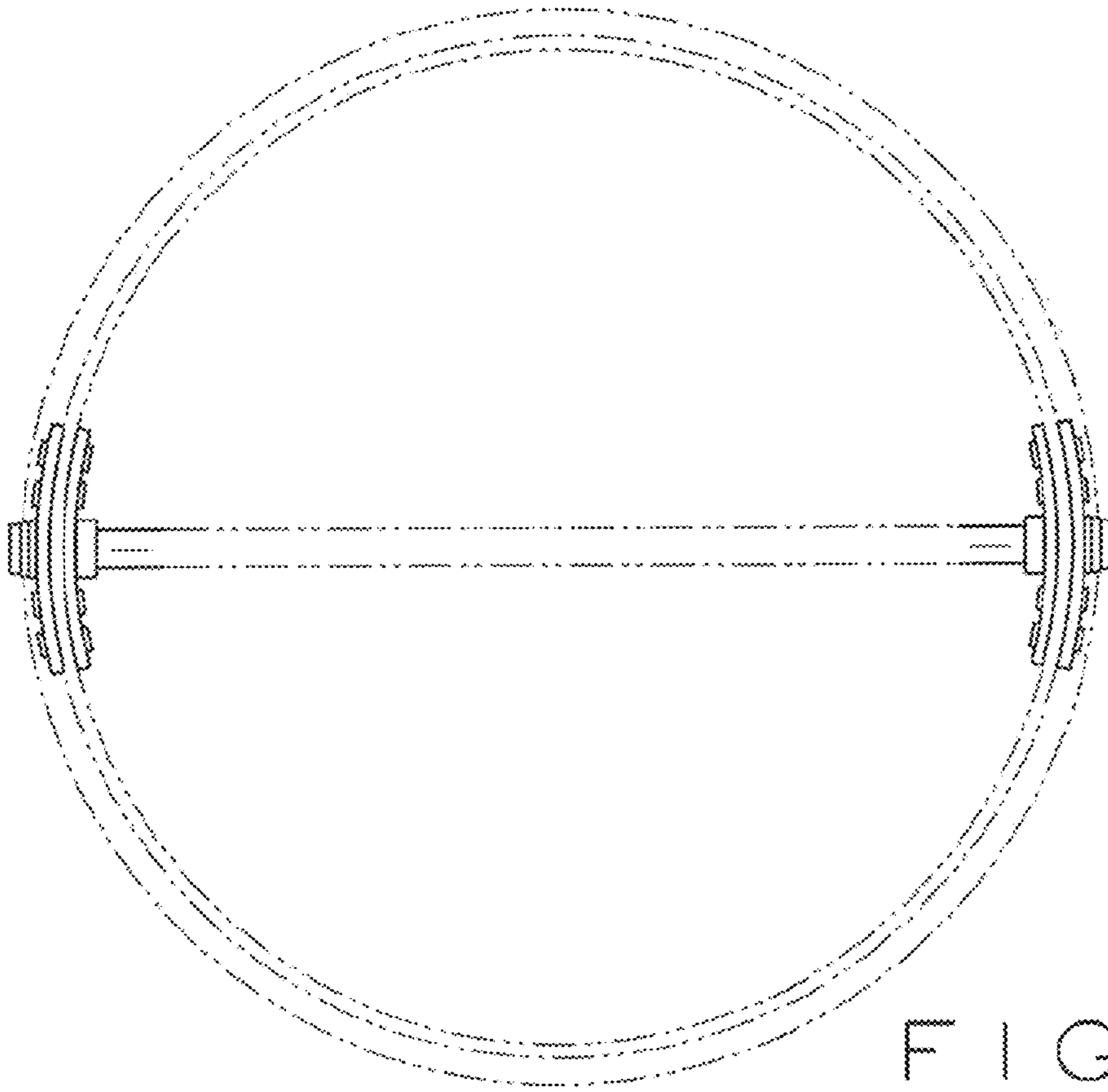


FIG. 4

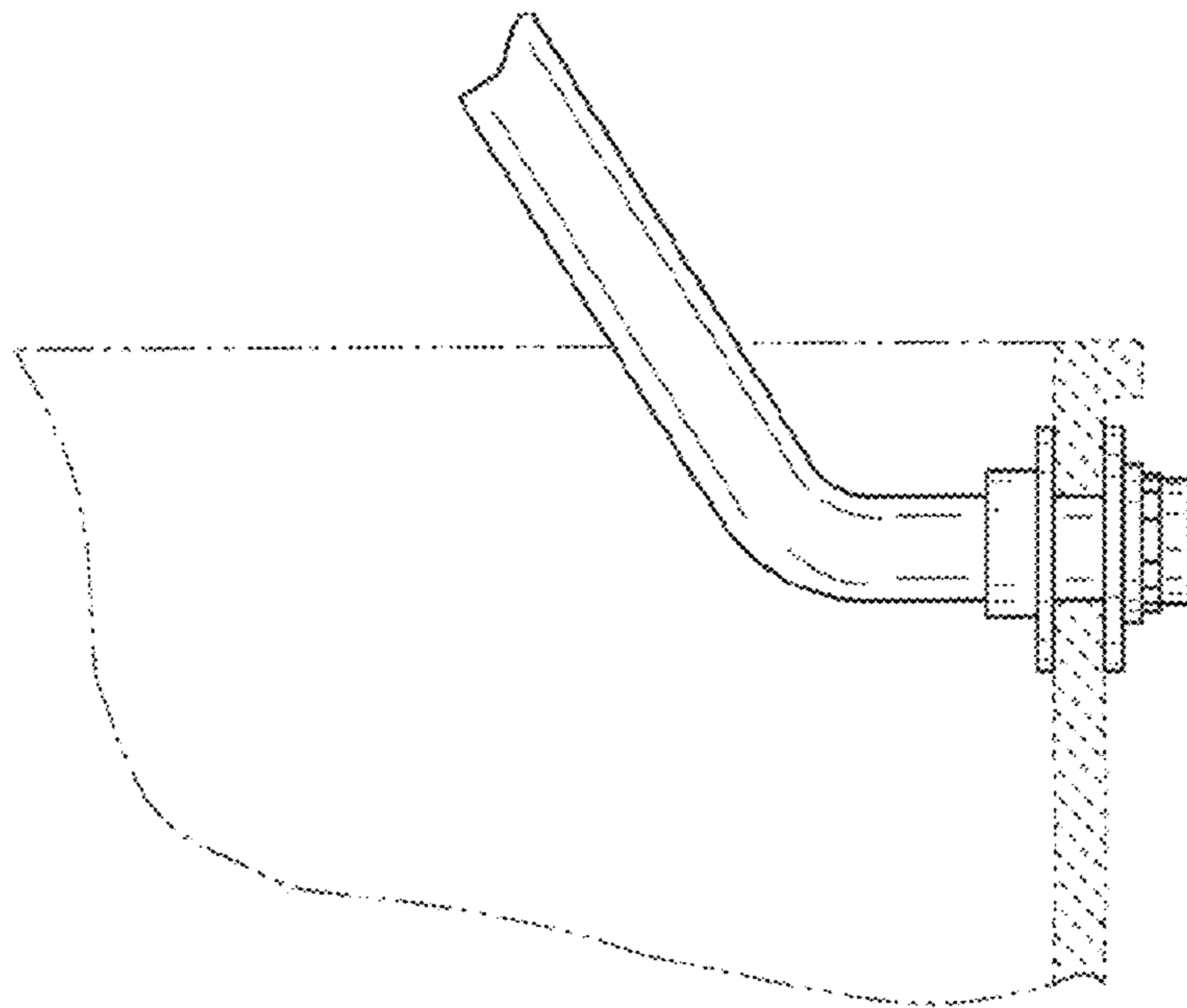


FIG. 6