



US00D944481S

(12) **United States Design Patent** (10) **Patent No.:** **US D944,481 S**  
**Mathias et al.** (45) **Date of Patent:** **\*\* Feb. 22, 2022**

(54) **TRAY FOR MOP REPLACEMENT HEAD**

D315,975 S 4/1991 Huang  
5,090,975 A \* 2/1992 Requejo ..... A47L 9/14  
134/21

(71) Applicant: **SharkNinja Operating LLC**,  
Needham, MA (US)

D352,432 S 11/1994 Monroe  
5,365,881 A 11/1994 Spom  
D358,238 S 5/1995 Barnett

(72) Inventors: **Richard Mathias**, Needham, MA (US);  
**Brandon J. Suleski**, Cambridge, MA  
(US); **Michael James Douglas**, London  
(GB)

(Continued)

FOREIGN PATENT DOCUMENTS

(73) Assignee: **SharkNinja Operating LLC**,  
Needham, MA (US)

JP D1489801 S 2/2014

OTHER PUBLICATIONS

(\*\*) Term: **15 Years**

Bissell Mop Tray <https://www.amazon.com/Bissell-Mop-Pad-Tray-1602390/dp/B00IPDCUNE> (Year: 2021).\*

(21) Appl. No.: **29/724,369**

(Continued)

(22) Filed: **Feb. 14, 2020**

(51) **LOC (13) Cl.** ..... **07-05**

(52) **U.S. Cl.**

USPC ..... **D32/38**

(58) **Field of Classification Search**

USPC ..... D7/409; D8/10; D12/106; D32/32, 33,  
D32/35, 38, 39, 40, 45, 50

CPC . A47L 13/256; A47L 9/02; A47L 9/14; B01D  
50/002; B25G 3/38; C11D 3/30

See application file for complete search history.

*Primary Examiner* — Michelle E. Wilson

*Assistant Examiner* — Richard E Yenchesky

(74) *Attorney, Agent, or Firm* — Mintz Levin Cohn Ferris  
Glovsky and Popeo, PC; Lisa Adams

(57) **CLAIM**

We claim the ornamental design for the tray for mop  
replacement head, as shown and described.

**DESCRIPTION**

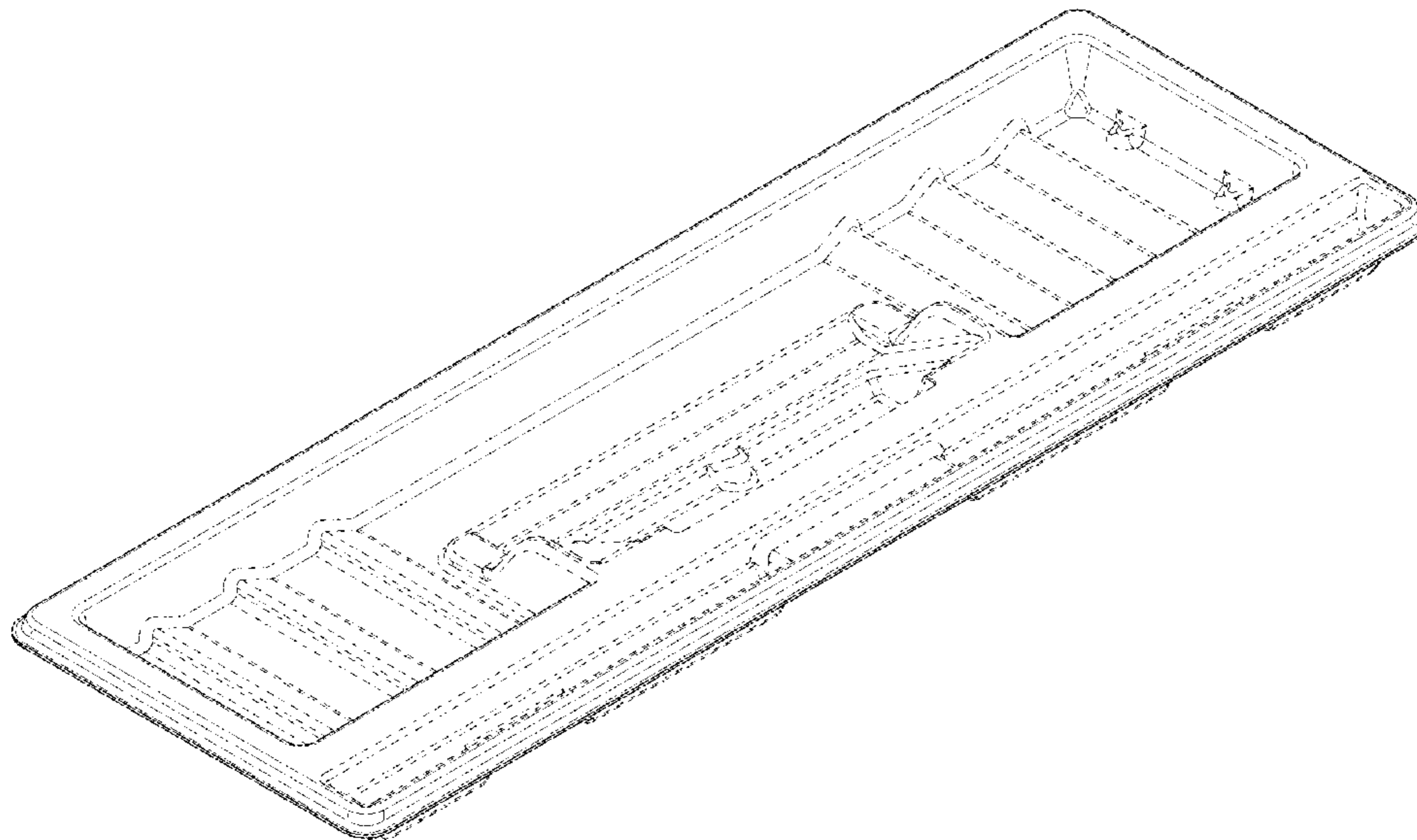
FIG. 1 is an isometric view of the tray;  
FIG. 2 is a front view of the tray;  
FIG. 3 is a rear view of the tray;  
FIG. 4 is a top view of the tray;  
FIG. 5 is a bottom view of the tray;  
FIG. 6 is a side view of the tray;  
FIG. 7 is another side view of the tray  
FIG. 8 is a rear isometric view of the tray; and,  
FIG. 9 is a bottom isometric view of the tray.  
Broken lines shown in the Figures indicate unclaimed sub-  
ject matter.

(56) **References Cited**

U.S. PATENT DOCUMENTS

490,472 A 1/1893 Clements  
D117,388 S 10/1939 Woinarovicz  
D214,977 S 8/1969 Roth  
3,676,888 A 7/1972 Akers  
D247,949 S 5/1978 Tillinghast et al.  
D249,821 S 10/1978 Cooke et al.  
D250,245 S 11/1978 Bebb  
D274,663 S \* 7/1984 Patzold ..... D32/38  
D278,099 S 3/1985 Evans  
D286,576 S 11/1986 Schneider et al.  
D287,539 S 12/1986 Wilson et al.  
D293,142 S \* 12/1987 Kubota ..... D32/38

**1 Claim, 7 Drawing Sheets**



(56)

References Cited

U.S. PATENT DOCUMENTS

D360,507 S 7/1995 Salvato  
 D388,569 S 12/1997 Israel  
 D391,715 S 3/1998 Irwin et al.  
 D402,776 S 12/1998 Carlson  
 D409,459 S \* 5/1999 Churchman ..... D8/10  
 5,915,437 A 6/1999 Petner  
 D423,157 S 4/2000 Hodges  
 D427,401 S 6/2000 Kunkier  
 D444,952 S 7/2001 Mason, Jr.  
 D467,686 S 12/2002 Kohler  
 D506,050 S 6/2005 Lalanne et al.  
 D510,467 S \* 10/2005 Kizaki ..... D32/38  
 6,979,371 B1 \* 12/2005 Policicchio ..... C11D 3/30  
 134/39  
 D518,935 S 4/2006 Leitch et al.  
 D544,664 S \* 6/2007 Santiago ..... D32/32  
 D545,019 S \* 6/2007 Harper ..... D32/50  
 D547,017 S \* 7/2007 Van LANDINGHAM, Jr. .... D32/51  
 D547,510 S \* 7/2007 Nelson ..... D32/39  
 D548,413 S \* 8/2007 Harper ..... D32/40  
 D548,907 S 8/2007 Killen  
 D548,910 S \* 8/2007 Murray ..... D32/45  
 D552,315 S \* 10/2007 Harper ..... D32/40  
 D554,815 S 11/2007 Harper et al.  
 D555,857 S \* 11/2007 Harper ..... D32/50  
 D563,068 S 2/2008 Jiang et al.  
 D575,680 S \* 8/2008 Brown ..... D12/106  
 D587,538 S 3/2009 Vendl et al.  
 D597,717 S 8/2009 Rosenzweig et al.  
 D613,473 S 4/2010 Pierce  
 D615,260 S 5/2010 Koenig  
 D617,066 S 6/2010 Koenig et al.  
 D625,480 S \* 10/2010 Raven ..... D32/50  
 D629,982 S \* 12/2010 Rossano ..... D32/33  
 D644,386 S 8/2011 Tawara et al.  
 D647,676 S \* 10/2011 Liu ..... D32/35  
 D648,910 S \* 11/2011 Raven ..... D32/39  
 D653,826 S 2/2012 Lee  
 D657,515 S \* 4/2012 McGee ..... D32/45  
 D657,928 S \* 4/2012 Byrne ..... D32/50  
 D658,836 S \* 5/2012 Ediger ..... D32/50  
 D659,924 S \* 5/2012 McGee ..... D32/45  
 D661,034 S 5/2012 Ediger et al.  
 D672,107 S 12/2012 LANDINGHAM, Jr. et al.  
 D677,031 S 2/2013 Best et al.  
 D685,557 S \* 7/2013 Rosenzweig ..... D32/45  
 D685,558 S \* 7/2013 deBlois ..... D32/45  
 D691,342 S \* 10/2013 Schuller ..... D32/50  
 D697,682 S \* 1/2014 Schuller ..... D32/50  
 D700,761 S \* 3/2014 Libman ..... D32/50

D701,013 S 3/2014 Libman et al.  
 D703,407 S 4/2014 Xiong  
 D720,906 S 1/2015 Baldwin  
 D731,137 S 6/2015 Colangelo  
 D756,581 S 5/2016 Libman et al.  
 D759,329 S 6/2016 Colangelo  
 D761,510 S 7/2016 Vicari et al.  
 D764,127 S 8/2016 Vicari et al.  
 D766,527 S \* 9/2016 Niedzwecki ..... D32/45  
 D766,528 S 9/2016 Choi et al.  
 D766,584 S 9/2016 Blouin et al.  
 D792,043 S 7/2017 Buckley et al.  
 D793,639 S 8/2017 Schuller et al.  
 D804,123 S 11/2017 Orsino  
 D817,574 S 5/2018 Libman et al.  
 D818,233 S \* 5/2018 Palladino ..... D32/50  
 10,004,372 B2 6/2018 Escobar et al.  
 D837,464 S 1/2019 Park  
 D850,047 S 5/2019 James et al.  
 D885,002 S \* 5/2020 James ..... D32/50  
 D923,402 S \* 6/2021 Gulati ..... D7/409  
 2002/0170140 A1 \* 11/2002 Diaz ..... A47L 9/02  
 15/415.1  
 2005/0193516 A1 9/2005 Hughes  
 2006/0018706 A1 1/2006 Bensussan et al.  
 2006/0048327 A1 3/2006 Lacotta et al.  
 2006/0070196 A1 4/2006 Lacotta et al.  
 2009/0265872 A1 \* 10/2009 Eldessouky ..... B25G 3/38  
 15/144.1  
 2016/0167128 A1 \* 6/2016 Stalder ..... B01D 50/002  
 164/76.1  
 2017/0049292 A1 2/2017 Harrington et al.  
 2021/0015324 A1 \* 1/2021 James ..... A47L 13/256

OTHER PUBLICATIONS

Shark Steam Mop [https://www.amazon.com/Shark-S3801CO-  
Replacement-Rectangle-All-Purpose/dp/B00605YR7G/ref=pd\\_sbs\\_  
1/146-4306209-5340031](https://www.amazon.com/Shark-S3801CO-Replacement-Rectangle-All-Purpose/dp/B00605YR7G/ref=pd_sbs_1/146-4306209-5340031) (Year: 2015).  
 Design U.S. Appl. No. 29/680,842, filed Feb. 20, 2019, Richard R. Mathias et al., 4 pages.  
 amazon.com “Shark Genius Steam Pocket Mop Hard Floor Cleaner”, oldest reviews 2016, [https://www.amazon.com/Cleaner-Blaster-  
Technology-Intelligent-S50030/dp/B01KU4BSGK/ref=cm\\_cr\\_arp\\_  
d\\_product\\_top?ie=UTF8](https://www.amazon.com/Cleaner-Blaster-Technology-Intelligent-S50030/dp/B01KU4BSGK/ref=cm_cr_arp_d_product_top?ie=UTF8), site visited Oct. 11, 2018, 11 pages.  
 (2019) Shark Rocket DuoClean Ultra-Light Corded Stick Vacuum, Walmart.com reviews, [https://www.walmart.com/ip/SharkNinja-  
Rocket-DuoClean-Corded-Ultra-Light-Bagless-M . . .](https://www.walmart.com/ip/SharkNinja-Rocket-DuoClean-Corded-Ultra-Light-Bagless-M...) site visited Sep. 5, 2019, 19 pages.

\* cited by examiner

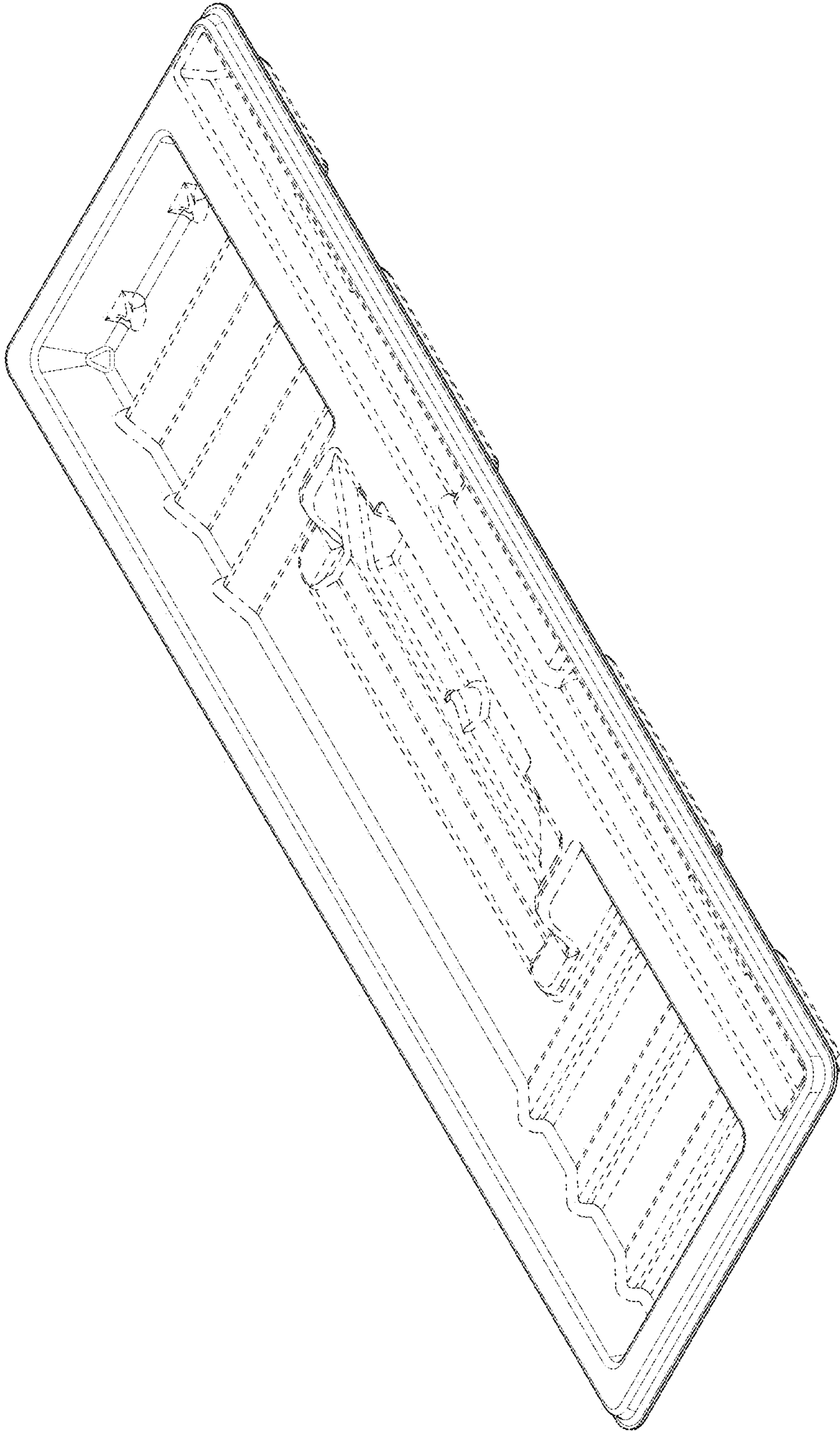


FIG. 1

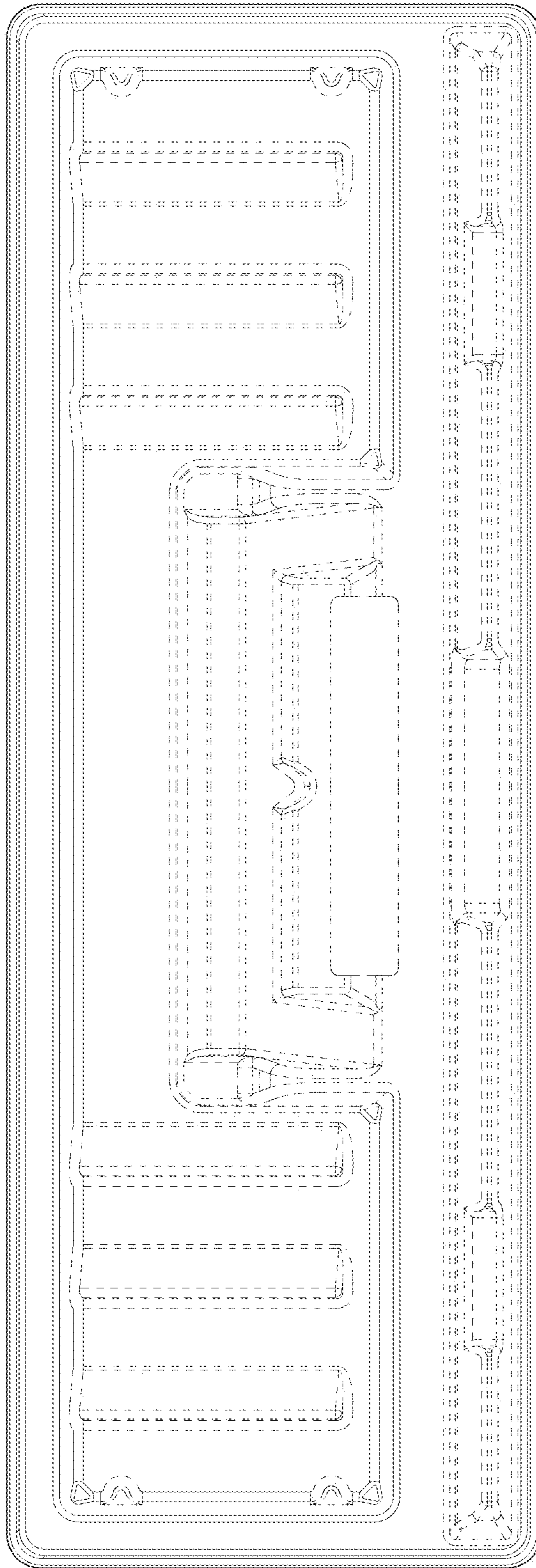


FIG. 2

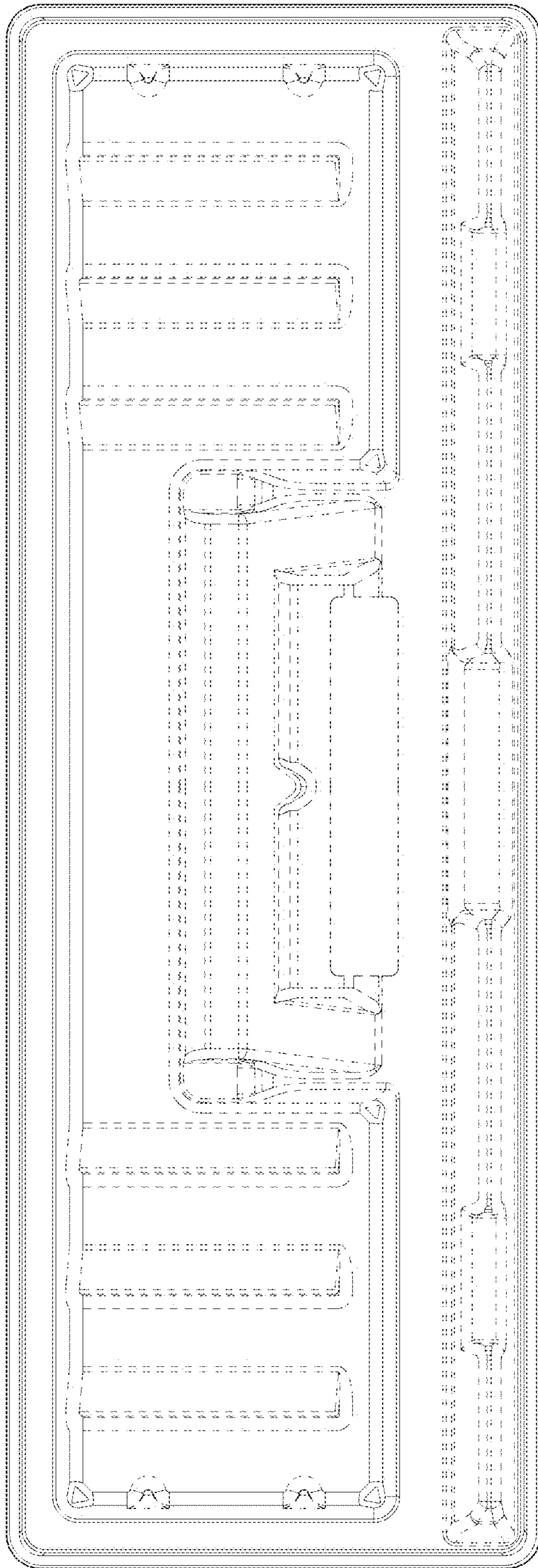


FIG. 3

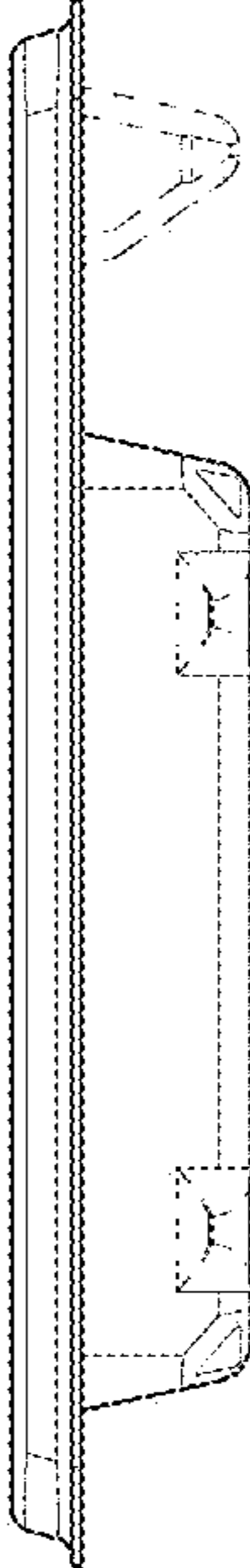


FIG. 4

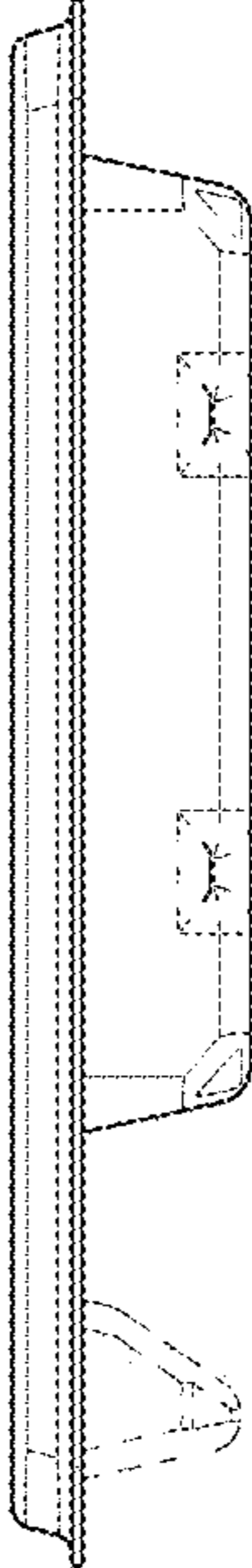


FIG. 5

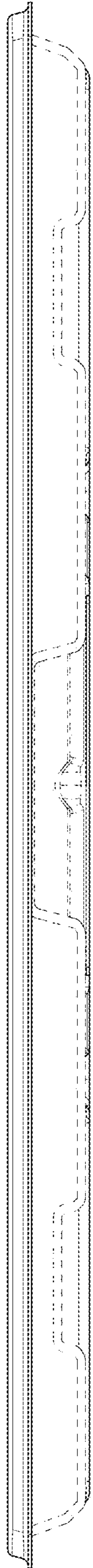


FIG. 6

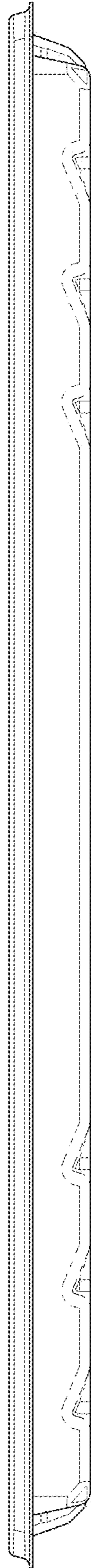


FIG. 7

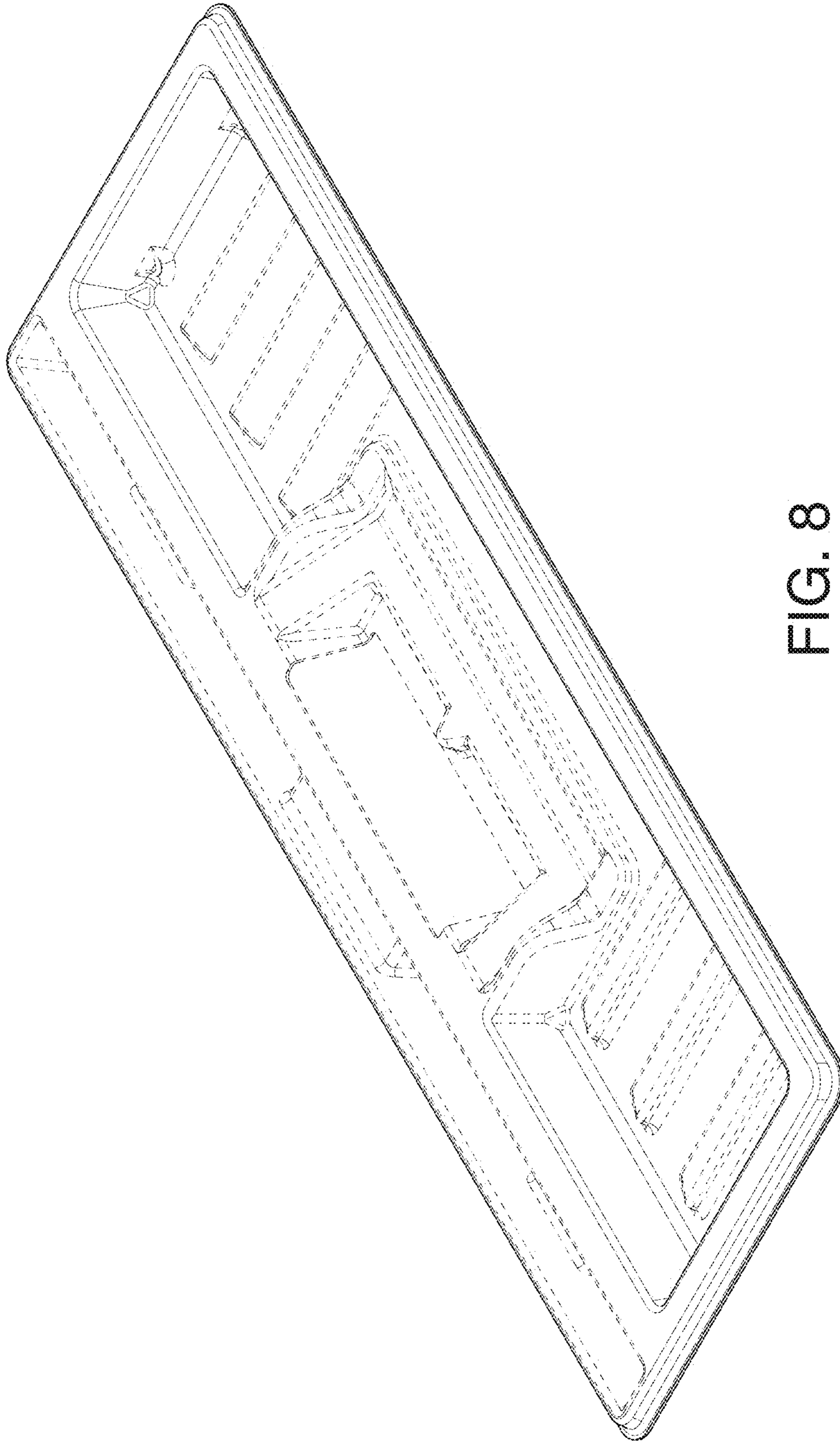


FIG. 8



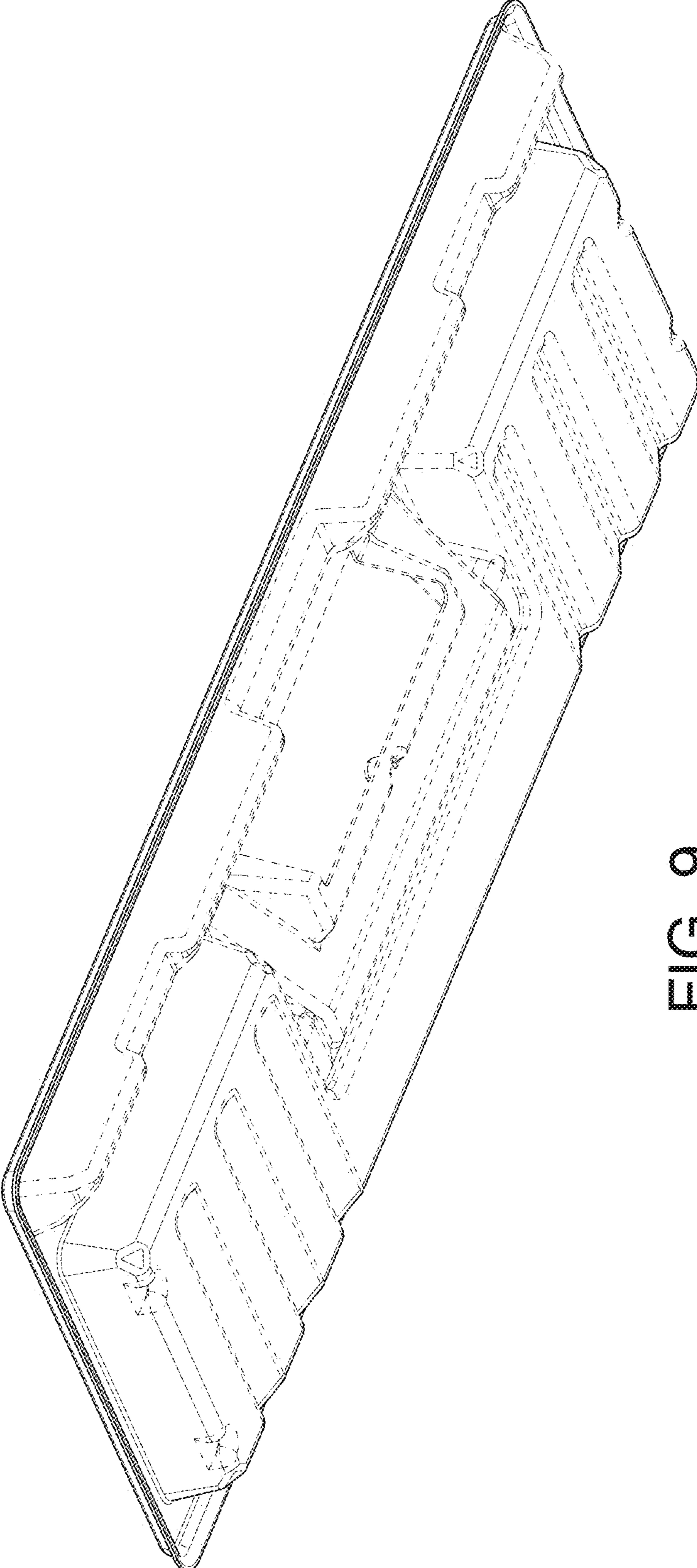


FIG. 9