

US00D944479S

(12) **United States Design Patent**
Mi et al.

(10) **Patent No.:** **US D944,479 S**

(45) **Date of Patent:** **** Feb. 22, 2022**

(54) **BRUSH**

(71) Applicant: **Beijing Roborock Technology Co., Ltd.**, Beijing (CN)

(72) Inventors: **Chang Mi**, Beijing (CN); **Chuanlin Duan**, Beijing (CN)

(73) Assignee: **Beijing Roborock Technology Co., Ltd.**, Beijing (CN)

(**) Term: **15 Years**

(21) Appl. No.: **29/700,954**

(22) Filed: **Aug. 7, 2019**

(30) **Foreign Application Priority Data**

Mar. 12, 2019 (CN) 201930100359.X

(51) **LOC (13) Cl.** **15-05**

(52) **U.S. Cl.**
USPC **D32/31; D4/102**

(58) **Field of Classification Search**
USPC D4/100, 102, 116, 117, 118, 121, 122, D4/123, 127, 128, 131, 132, 133, 135, D4/136, 138, 199, 109, 111; D24/200, D24/214, 215; D32/21, 31, 32, 33
CPC A46B 7/02; A46B 2200/30; A46B 1/00; A46B 5/06; A47L 11/4036; A47L 11/24
See application file for complete search history.

(56) **References Cited**

U.S. PATENT DOCUMENTS

5,951,113 A * 9/1999 Lewis, Jr. A46D 3/045 300/21
7,441,298 B2 * 10/2008 Svendsen B60L 15/2036 15/49.1
D690,478 S * 9/2013 Li D32/21
D718,008 S * 11/2014 Hwan-woong D32/31
9,480,379 B2 * 11/2016 Yoon A47L 11/4072
9,480,380 B2 * 11/2016 Yoo G05D 1/0272

D836,915 S * 1/2019 Ebrahimi Afrouzi D4/102
D836,916 S * 1/2019 Ebrahimi Afrouzi D4/102
D842,564 S * 3/2019 Dou D32/31
D856,682 S * 8/2019 Ebrahimi Afrouzi D4/102
D860,559 S * 9/2019 Thackray D32/21
D862,895 S * 10/2019 Ebrahimi Afrouzi D4/120
D862,896 S * 10/2019 Ebrahimi Afrouzi D4/120
D862,897 S * 10/2019 Ebrahimi Afrouzi D4/120
D862,898 S * 10/2019 Ebrahimi Afrouzi D4/120
D863,780 S * 10/2019 Ebrahimi Afrouzi D4/120
D873,028 S * 1/2020 Ebrahimi Afrouzi D4/120
D918,587 S * 5/2021 Ebrahimi Afrouzi D4/102
D919,211 S * 5/2021 Chang D32/21
D921,309 S * 6/2021 Liu D32/21

(Continued)

OTHER PUBLICATIONS

Review Roborock S6 Pure vacuum robot now available at Amazon.co.uk [online] posted by Tim. Posted Apr. 22, 2020. [Retrieved from the Internet Dec. 2, 2021.] <URL: <https://china-gadgets.com/roborock-s6-pure-vacuum-robot/>>.*

Primary Examiner — Rebekah A Caruso
(74) *Attorney, Agent, or Firm* — Greenberg Traurig, LLP

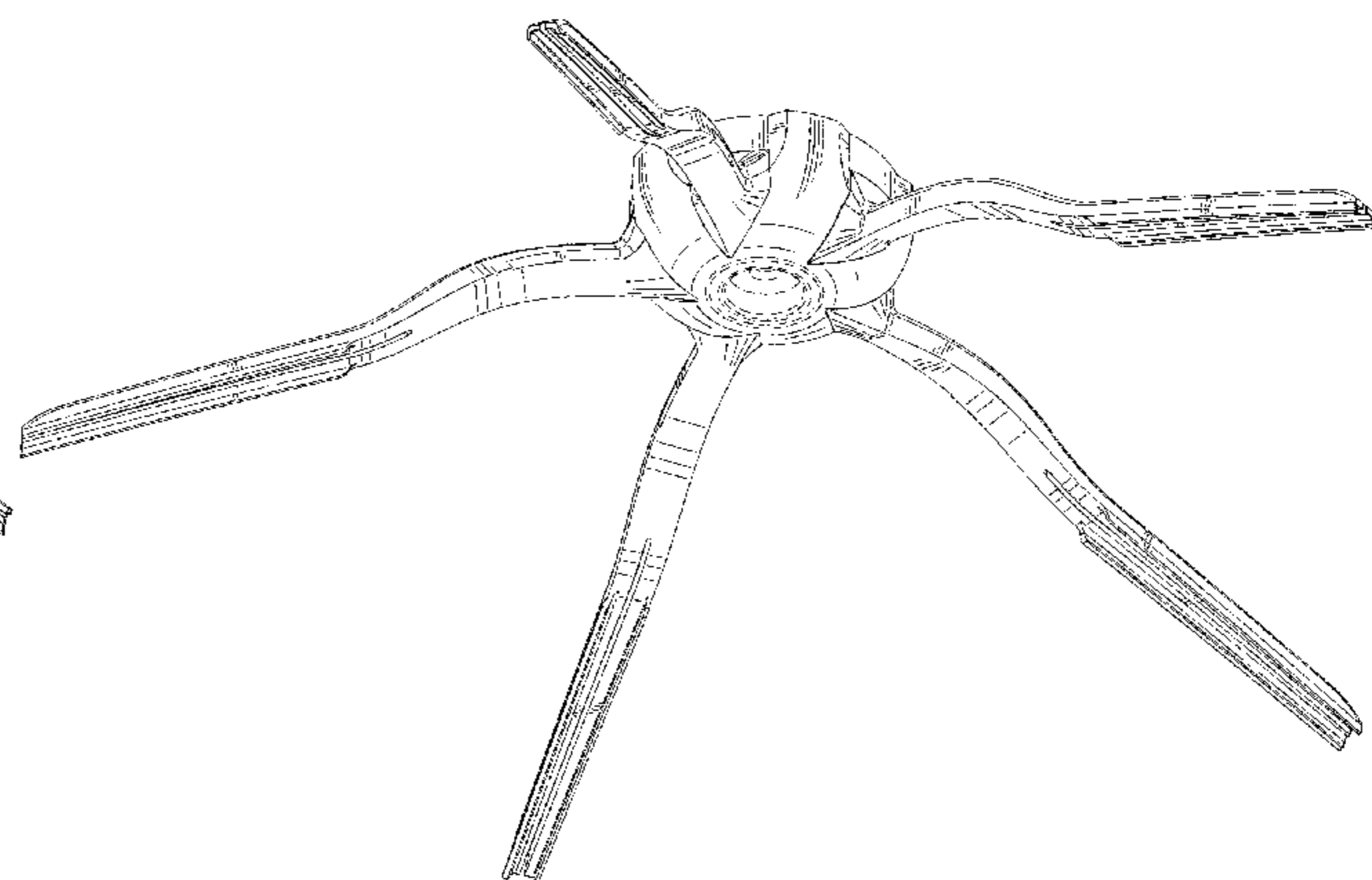
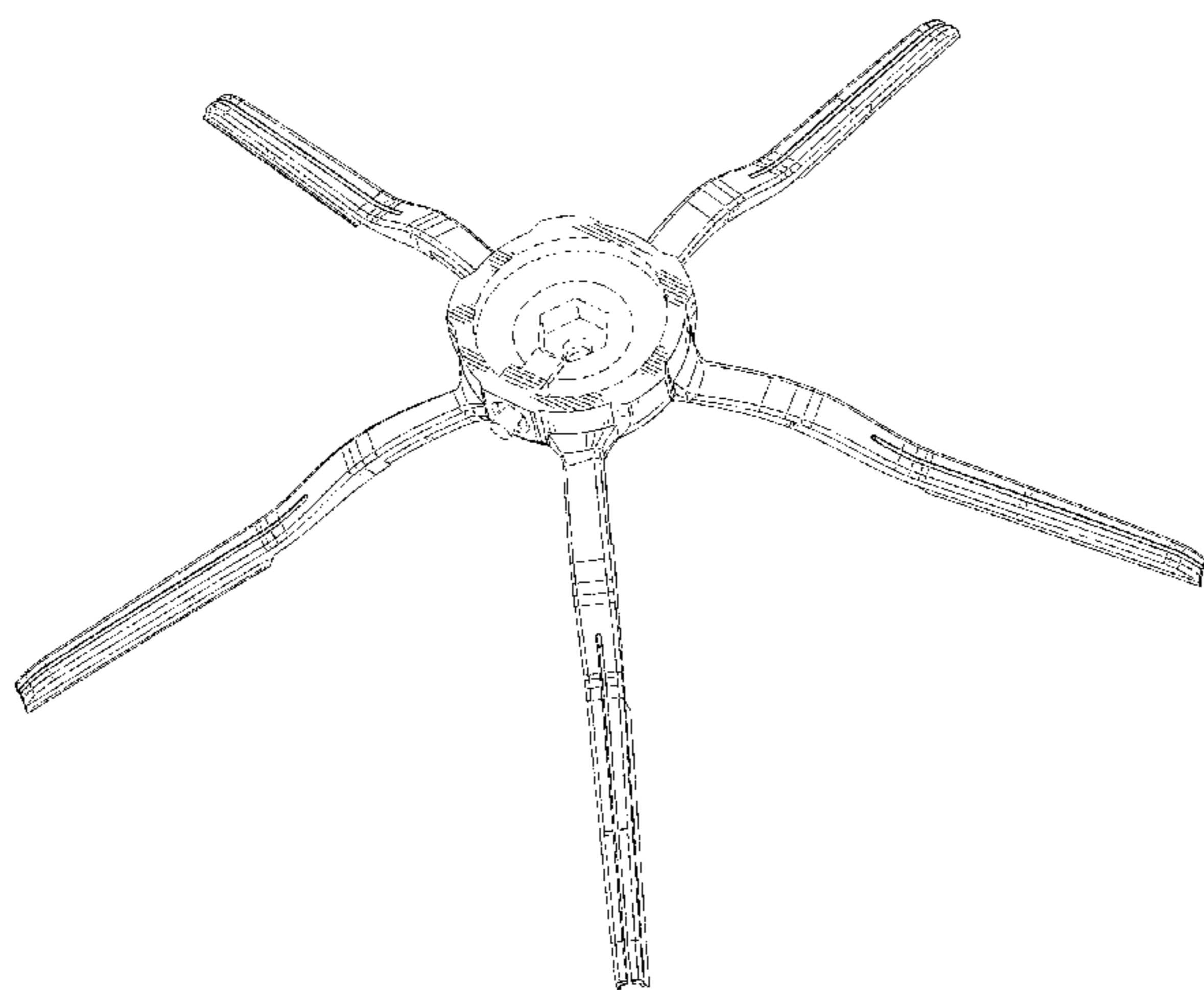
(57) **CLAIM**

We claim the ornamental design for a brush, as shown and described.

DESCRIPTION

FIG. 1 is a front view of my design;
FIG. 2 is a rear view of my design;
FIG. 3 is a left view of my design;
FIG. 4 is a right view of my design; and
FIG. 5 is a top view of my design;
FIG. 6 is a bottom view of my design;
FIG. 7 is a top perspective view of my design; and
FIG. 8 is a bottom perspective view of my design.
The features shown in dashed lines in the drawings form no part of the claimed design.

1 Claim, 8 Drawing Sheets



(56)

References Cited

U.S. PATENT DOCUMENTS

2010/0037418 A1* 2/2010 Hussey B60L 15/2036
15/319
2014/0067116 A1* 3/2014 Moon A47L 9/2873
700/245
2017/0325648 A1* 11/2017 Huang A47L 9/0433
2021/0228048 A1* 7/2021 Mi A46B 5/06

* cited by examiner

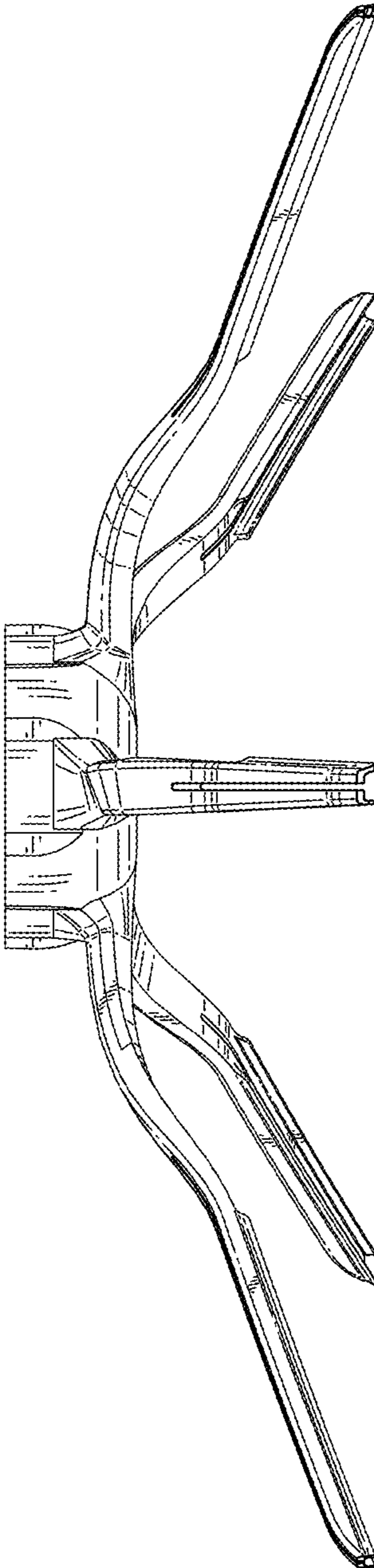


FIG. 1

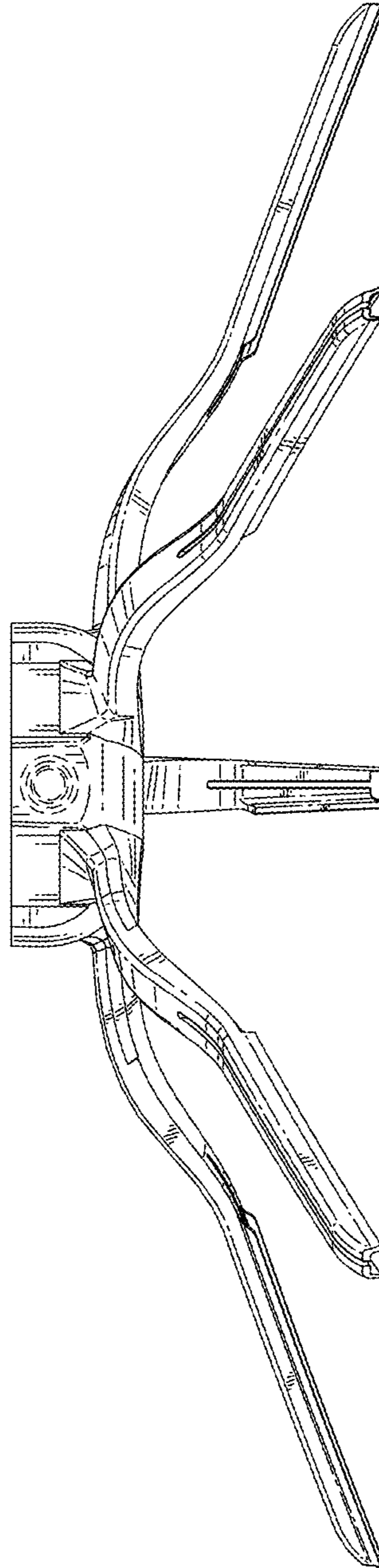


FIG. 2

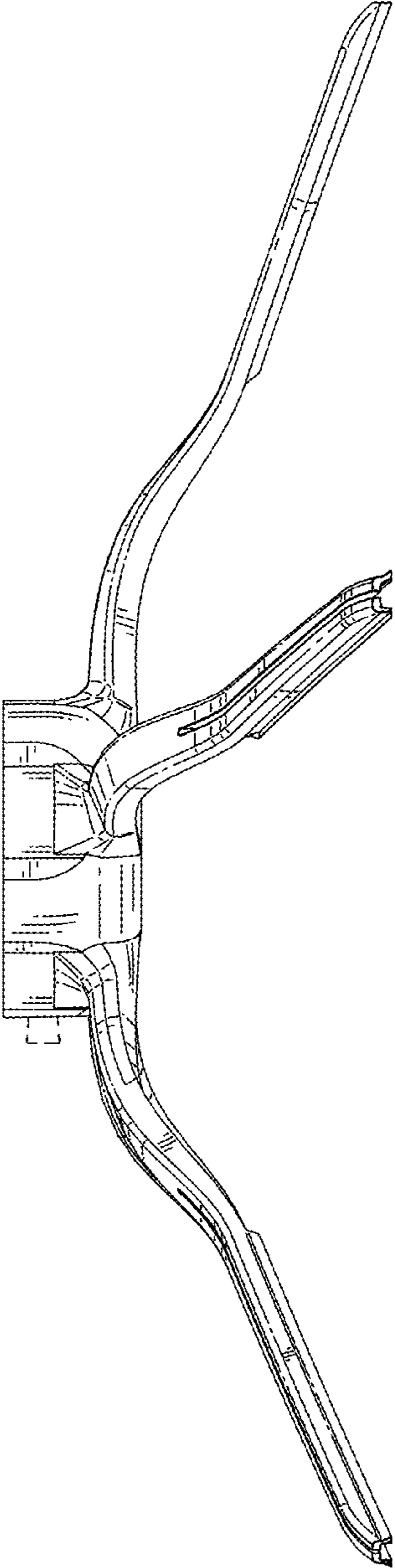


FIG. 3

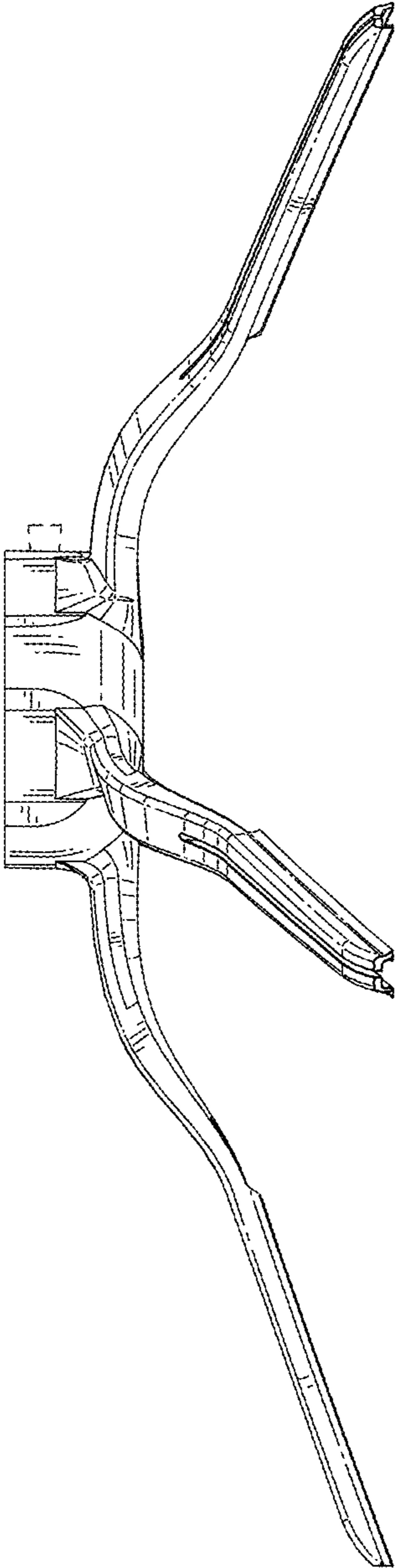


FIG. 4

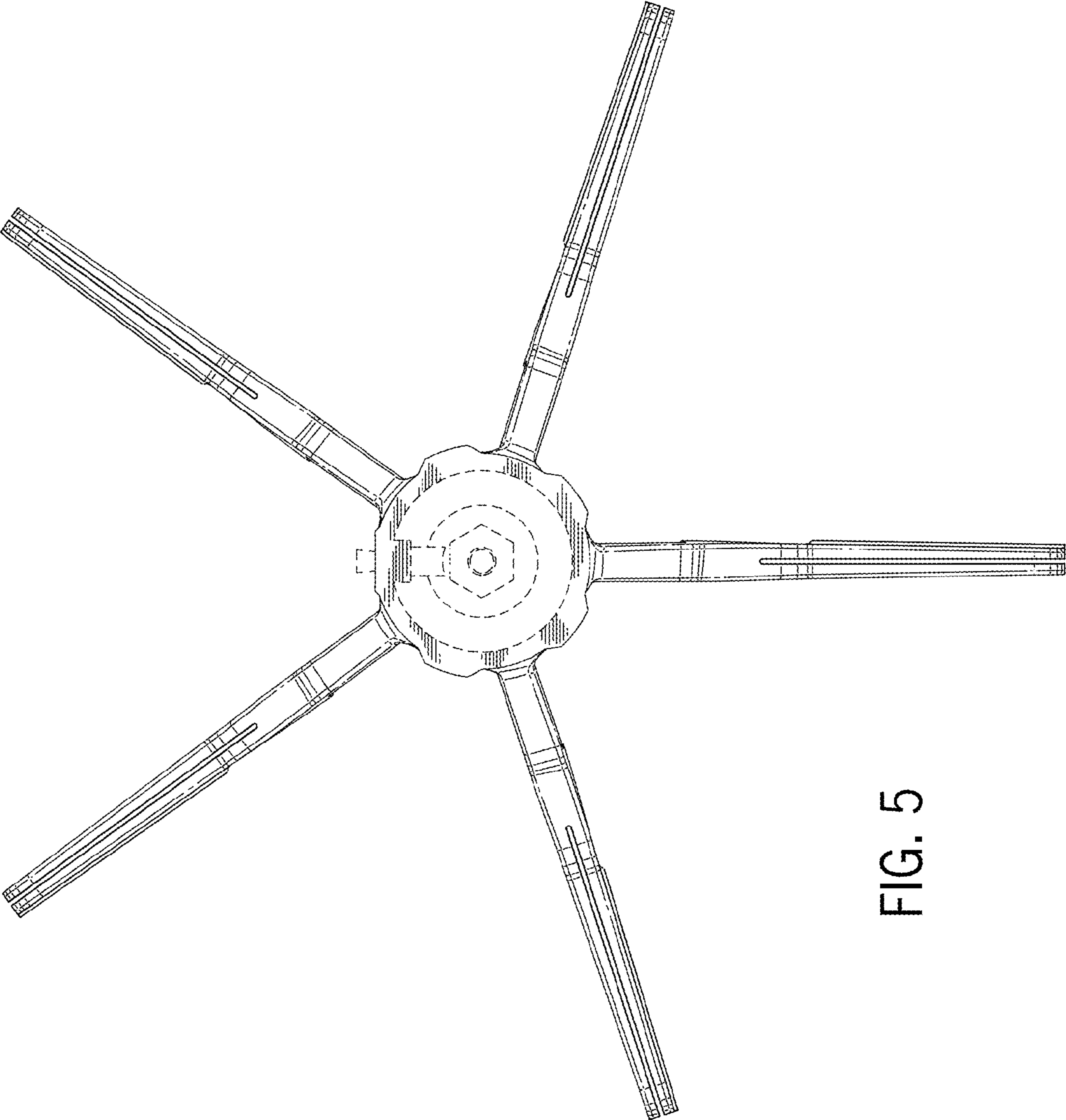


FIG. 5

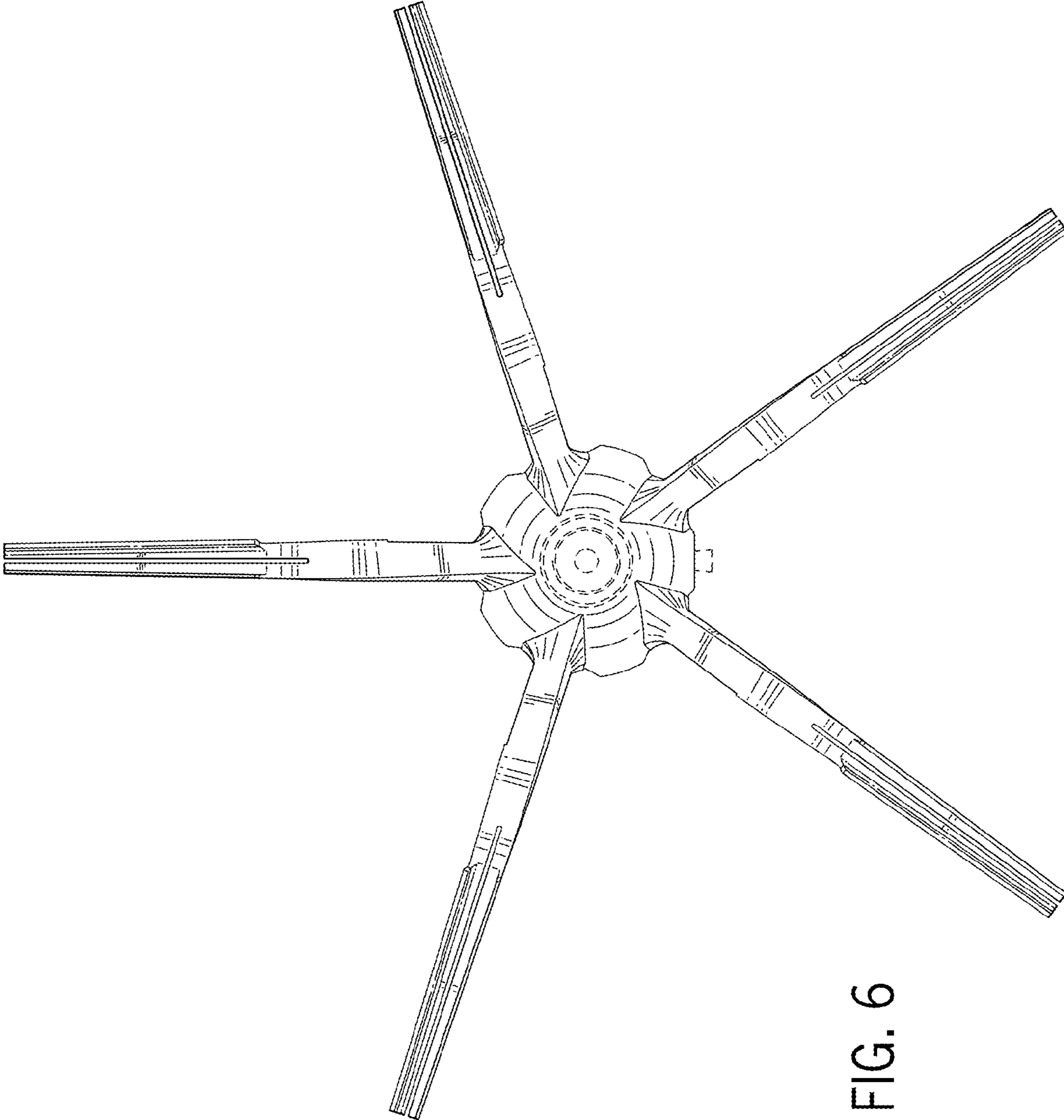


FIG. 6

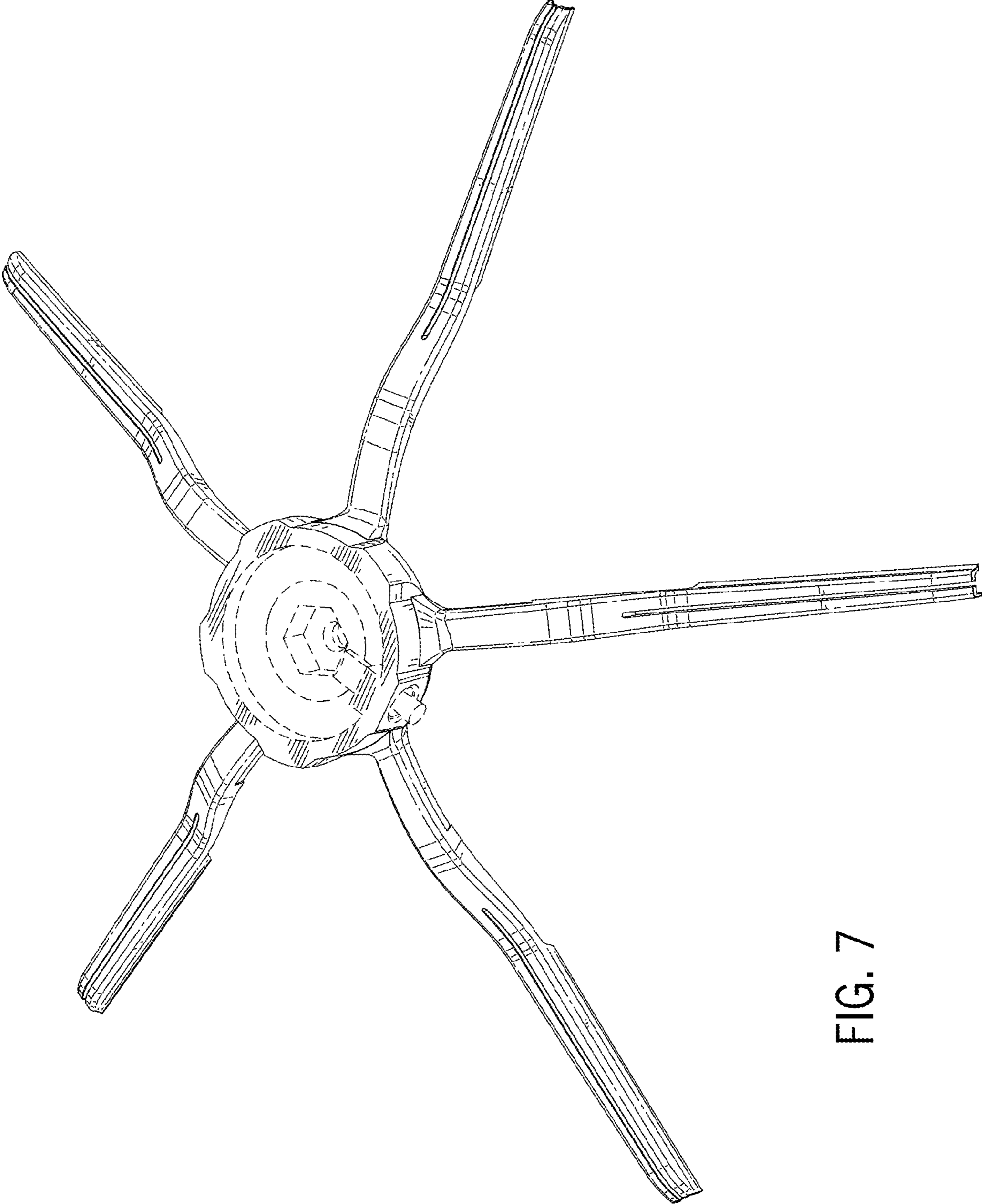


FIG. 7

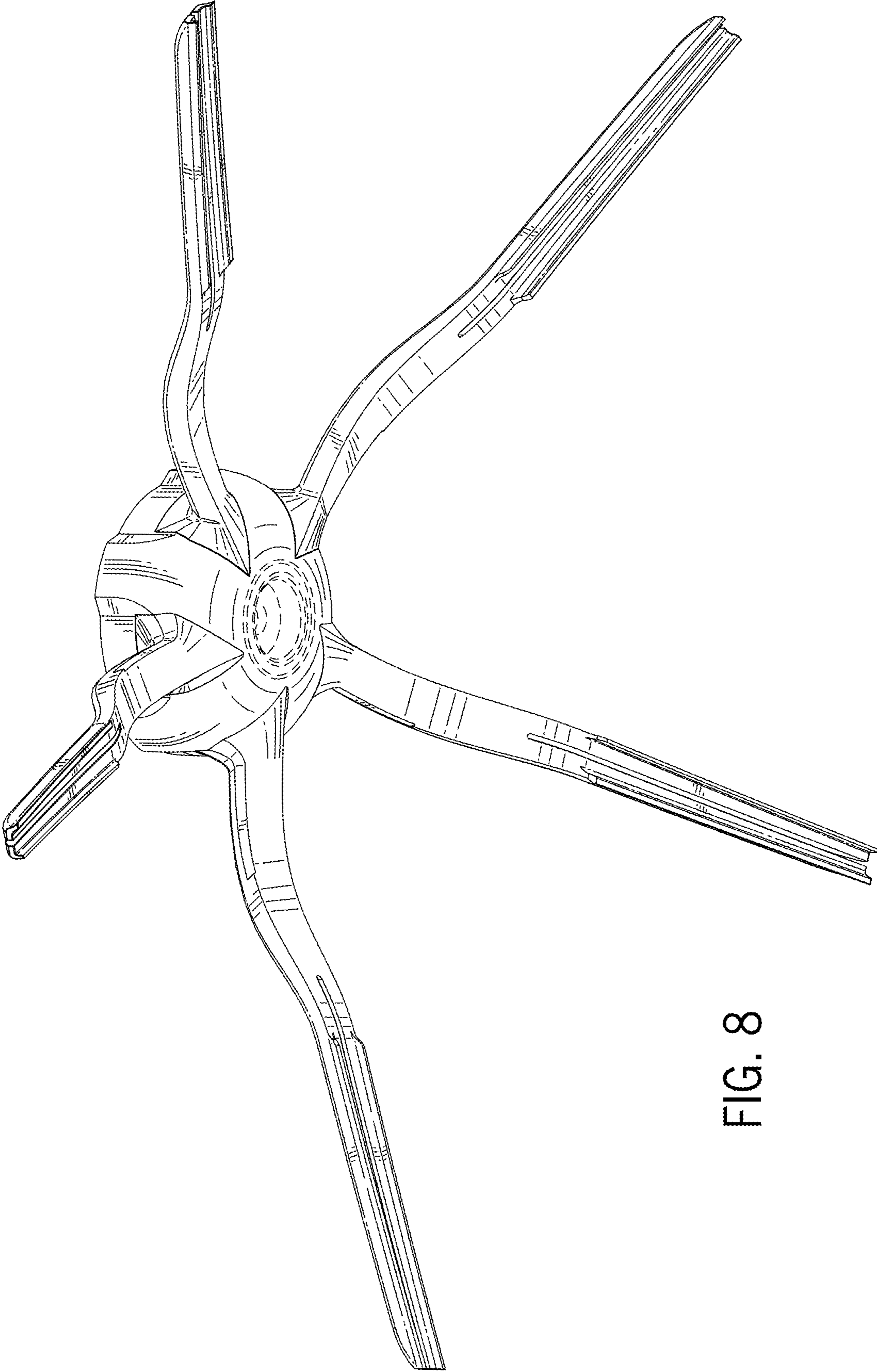


FIG. 8