



US00D944478S

(12) **United States Design Patent** (10) **Patent No.:** **US D944,478 S**  
**Knapp et al.** (45) **Date of Patent:** **\*\* \*Feb. 22, 2022**

(54) **VACUUM CLEANER**

FOREIGN PATENT DOCUMENTS

(71) Applicant: **BISSELL Inc.**, Grand Rapids, MI (US)

CN 302726068 \* 1/2014  
CN 302974171 \* 10/2014

(72) Inventors: **Mackenzie L. Knapp**, Saranac, MI (US); **Derek E. Smith**, Grand Rapids, MI (US)

(Continued)

(73) Assignee: **BISSELL Inc.**, Grand Rapids, MI (US)

OTHER PUBLICATIONS

(\*) Notice: This patent is subject to a terminal disclaimer.

BISSELL PowerLifter W/ Swivel Bagless Upright Vacuum, available in Walmart.com, customer review oldest date Aug. 19, 2018[online],[site visited Feb. 12, 2021],Available from URL: <https://www.walmart.com/ip/BISSELL-PowerLifter-Pet-with-Swivel-Bagless-Upright-Vacuum-2260/561614871?w113=5129&selectedSellerId=0> (Year: 2018).\*

(\*\*) Term: **15 Years**

(Continued)

(21) Appl. No.: **29/687,174**

(22) Filed: **Apr. 11, 2019**

*Primary Examiner* — Dana K Weiland

(51) **LOC (13) Cl.** ..... **15-05**

*Assistant Examiner* — Jennylou M Binas

(52) **U.S. Cl.**  
USPC ..... **D32/22**

(74) *Attorney, Agent, or Firm* — Warner Norcross + Judd LLP

(58) **Field of Classification Search**  
USPC ..... D32/17, 18, 21, 22, 23, 24, 31; D21/526  
CPC ..... A46B 9/06; A47L 5/24; A47L 5/28; A47L 5/30; A47L 5/34; A47L 7/0004; A47L 9/04; A47L 9/325; A47L 9/1683; A47L 11/302; A47L 11/34; A47L 11/4005; A47L 11/4008; A47L 11/4016; A47L 11/4041; A47L 11/4044; A47L 11/4088; A47L 13/225; B04C 5/185; B08B 3/04; B23Q 11/0046; B23Q 11/0071; E04H 4/1636

See application file for complete search history.

(57) **CLAIM**

The ornamental design for a vacuum cleaner, as shown and described.

**DESCRIPTION**

FIG. 1 is a front perspective view of a vacuum cleaner showing our new design;  
FIG. 2 is a front view thereof;  
FIG. 3 is a left side view thereof;  
FIG. 4 is a right side view thereof;  
FIG. 5 is an enlarged top view of the vacuum cleaner;  
FIG. 6 is an enlarged view of the vacuum cleaner shown within the area designated as 6 in FIG. 1; and,  
FIG. 7 is an enlarged view of the vacuum cleaner shown within the area designated as 7 in FIG. 2.

The details of the vacuum cleaner shown in broken lines form no part of the claimed design. The dot-dashed broken line in FIGS. 1-2 and 6-7 show the boundary of the enlarged view and forms no part of the claimed design.

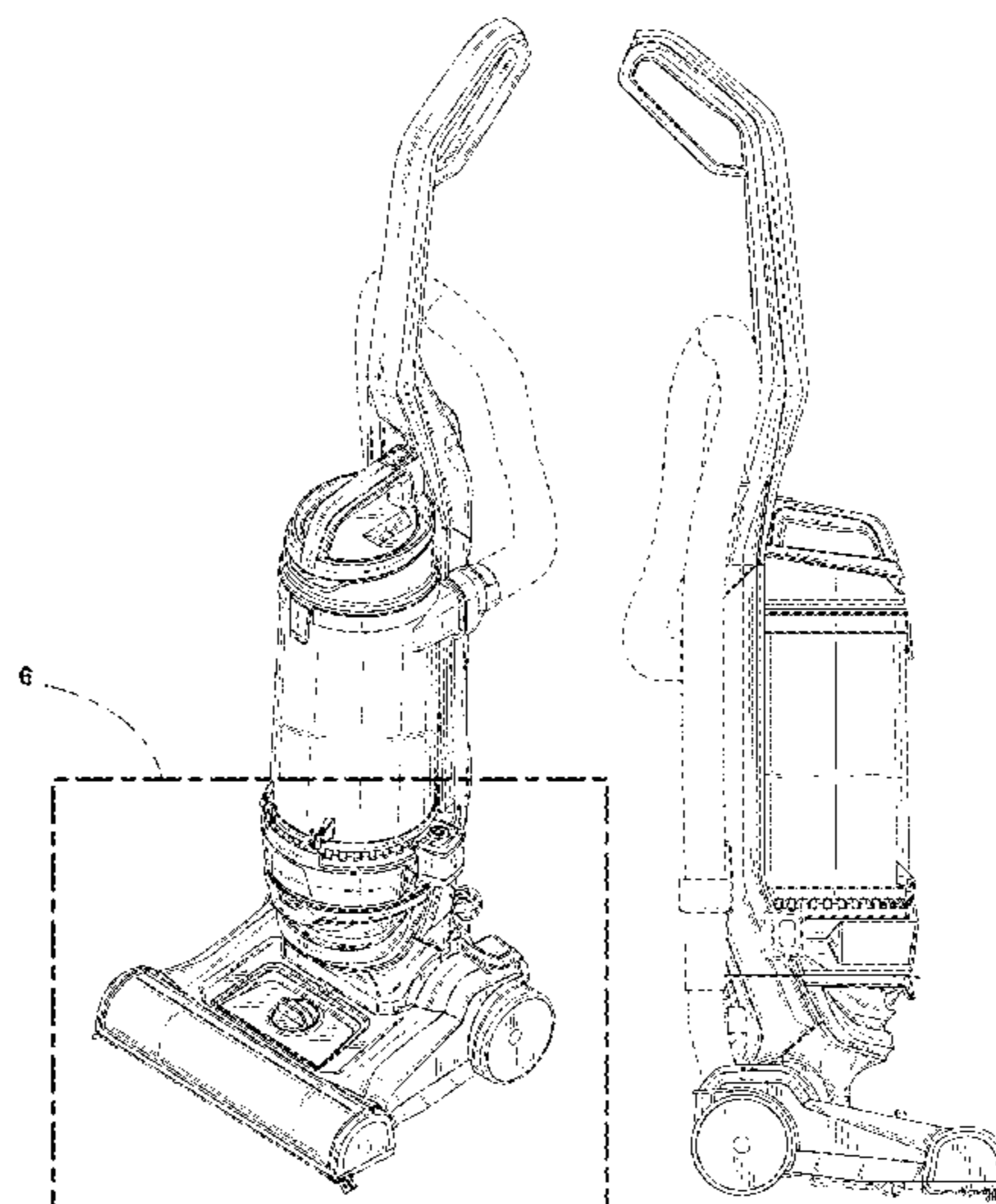
(56) **References Cited**

U.S. PATENT DOCUMENTS

D730,001 S \* 5/2015 Yun ..... D32/22  
D759,919 S \* 6/2016 Smith ..... D32/31  
D789,626 S \* 6/2017 Bloemendaal ..... D32/22  
D821,047 S \* 6/2018 Wrobleski ..... D32/31  
D824,615 S \* 7/2018 Bloemendaal ..... D32/22  
D874,762 S \* 2/2020 Tang ..... D32/22

(Continued)

**1 Claim, 7 Drawing Sheets**



(56)

References Cited

U.S. PATENT DOCUMENTS

10,791,900 B2 \* 10/2020 Tran ..... A47L 9/0494  
 10,827,888 B2 \* 11/2020 Morrow ..... A47L 9/04  
 D910,945 S \* 2/2021 Miller ..... D32/31  
 D917,810 S \* 4/2021 Knapp ..... D32/22  
 10,966,586 B2 \* 4/2021 Luyckx ..... A47L 11/4025  
 10,986,968 B2 \* 4/2021 Kasper ..... A47L 9/1683  
 11,019,966 B2 \* 6/2021 Ashbaugh ..... A47L 11/201  
 D924,504 S \* 7/2021 Knapp ..... D32/21  
 D924,505 S \* 7/2021 Knapp ..... D32/21  
 D926,401 S \* 7/2021 Knapp ..... D32/22  
 D926,405 S \* 7/2021 Haverkamp ..... D32/31  
 D928,432 S \* 8/2021 Knapp ..... D32/22  
 D928,433 S \* 8/2021 Knapp ..... D32/22  
 D928,435 S \* 8/2021 Knapp ..... D32/22  
 2013/0117961 A1 \* 5/2013 Doerfler ..... A47L 5/28  
 15/323  
 2014/0013537 A1 \* 1/2014 Kasper ..... A47L 9/24  
 15/353  
 2015/0059123 A1 \* 3/2015 Kasper ..... A47L 9/0633  
 15/383  
 2015/0074939 A1 \* 3/2015 Cipolla ..... A47L 5/30  
 15/354  
 2015/0143659 A1 \* 5/2015 Pilch ..... A47L 9/325  
 15/347  
 2016/0037987 A1 \* 2/2016 Caro ..... A47L 9/04  
 15/334  
 2016/0270610 A1 \* 9/2016 Kasper ..... A47L 9/0411  
 2016/0367093 A1 \* 12/2016 VanTongeren ..... A47L 5/30  
 2017/0119225 A1 \* 5/2017 Xia ..... A47L 5/28  
 2017/0135540 A1 \* 5/2017 Newsom ..... A47L 9/04  
 2018/0177368 A1 \* 6/2018 Acker ..... A47L 9/165  
 2019/0059673 A1 \* 2/2019 Tran ..... A47L 9/0494  
 2020/0046189 A1 \* 2/2020 Casella ..... A47L 9/1616  
 2021/0045606 A1 \* 2/2021 Xia ..... A47L 11/18  
 2021/0052118 A1 \* 2/2021 Morrow ..... A47L 9/04  
 2021/0093143 A1 \* 4/2021 Nguyen ..... A47L 11/292  
 2021/0137332 A1 \* 5/2021 Kasper ..... A47L 9/0633  
 2021/0153708 A1 \* 5/2021 Xia ..... A46B 1/00

FOREIGN PATENT DOCUMENTS

CN 303479948 \* 12/2015  
 CN 303579405 \* 2/2016  
 CN 303806074 \* 8/2016

OTHER PUBLICATIONS

Eureka NEU182B, available in Amazon.com, customer review oldest date Feb. 4, 2020 [online], [site visited Jan. 12, 2021], Available from the internet URL: [https://www.amazon.com/Eureka-PowerSpeed-Bagless-Upright-Cleaner/dp/B083C2DTKX/ref=cm\\_cr\\_ar\\_p\\_d\\_product\\_top?ie=UTF8&th=1](https://www.amazon.com/Eureka-PowerSpeed-Bagless-Upright-Cleaner/dp/B083C2DTKX/ref=cm_cr_ar_p_d_product_top?ie=UTF8&th=1) (Year: 2020).\*

Hoover WindTunnel Upright Vacuum, available in Amazon.com, customer review oldest date May 5, 2019 [online], [site visited Jan. 12, 2021], URL: [https://www.amazon.com/Hoover-WindTunnel-Performance-Powerful-UH72625/dp/B07MFM81RX/ref=cm\\_cr\\_ar\\_p\\_d\\_product\\_top?ie=UTF8](https://www.amazon.com/Hoover-WindTunnel-Performance-Powerful-UH72625/dp/B07MFM81RX/ref=cm_cr_ar_p_d_product_top?ie=UTF8) (Year: 2019).\*

BISSELL Cleanview Bagless Vacuum Cleaner, available in Amazon.com, customer review oldest date Jan. 19, 2019 [online], [site visited Jan. 12, 2021], Available from the internet URL: [https://www.amazon.com/BISSELL-Cleanview-Bagless-Cleaner-2486/dp/B07L69RL4B/ref=cm\\_cr\\_ar\\_p\\_d\\_product\\_top?ie=UTF8&th=1](https://www.amazon.com/BISSELL-Cleanview-Bagless-Cleaner-2486/dp/B07L69RL4B/ref=cm_cr_ar_p_d_product_top?ie=UTF8&th=1) (Year: 2019).\*

BISSELL Cleanview Swivel Pet Vacuum Cleaner, available in Amazon.com, customer review oldest date Sep. 24, 2018 [online], [site visited Jan. 12, 2021], Available from the internet URL: [https://www.amazon.com/BISSELL-Cleanview-Upright-Bagless-2252/dp/B07F6N3RT6/ref=cm\\_cr\\_ar\\_p\\_d\\_product\\_top?ie=UTF8](https://www.amazon.com/BISSELL-Cleanview-Upright-Bagless-2252/dp/B07F6N3RT6/ref=cm_cr_ar_p_d_product_top?ie=UTF8) (Year: 2018).\*

BISSELL Cleanview Swivel Rewind Pet Vacuum Cleaner, available in Amazon.com, customer review oldest date Oct. 5, 2018 [online], [site visited Jan. 12, 2021], Available from the internet URL: [https://www.amazon.com/BISSELL-Cleanview-Upright-Bagless-Cleaner/dp/B07FJ4N2S7/ref=psdc\\_510110\\_t3\\_B07F6N3RT6?th=1](https://www.amazon.com/BISSELL-Cleanview-Upright-Bagless-Cleaner/dp/B07FJ4N2S7/ref=psdc_510110_t3_B07F6N3RT6?th=1) (Year: 2018).\*

BISSELL Cleanview Rewind Pet Deluxe Upright Vacuum Cleaner, available in Amazon.com, customer review oldest date Feb. 27, 2019 [online], [site visited Feb. 5, 2021], Available from the internet URL: [https://www.amazon.com/dp/B07LGS8CX2/ref=emc\\_b\\_5\\_t?th=1](https://www.amazon.com/dp/B07LGS8CX2/ref=emc_b_5_t?th=1) (Year: 2019).\*

\* cited by examiner

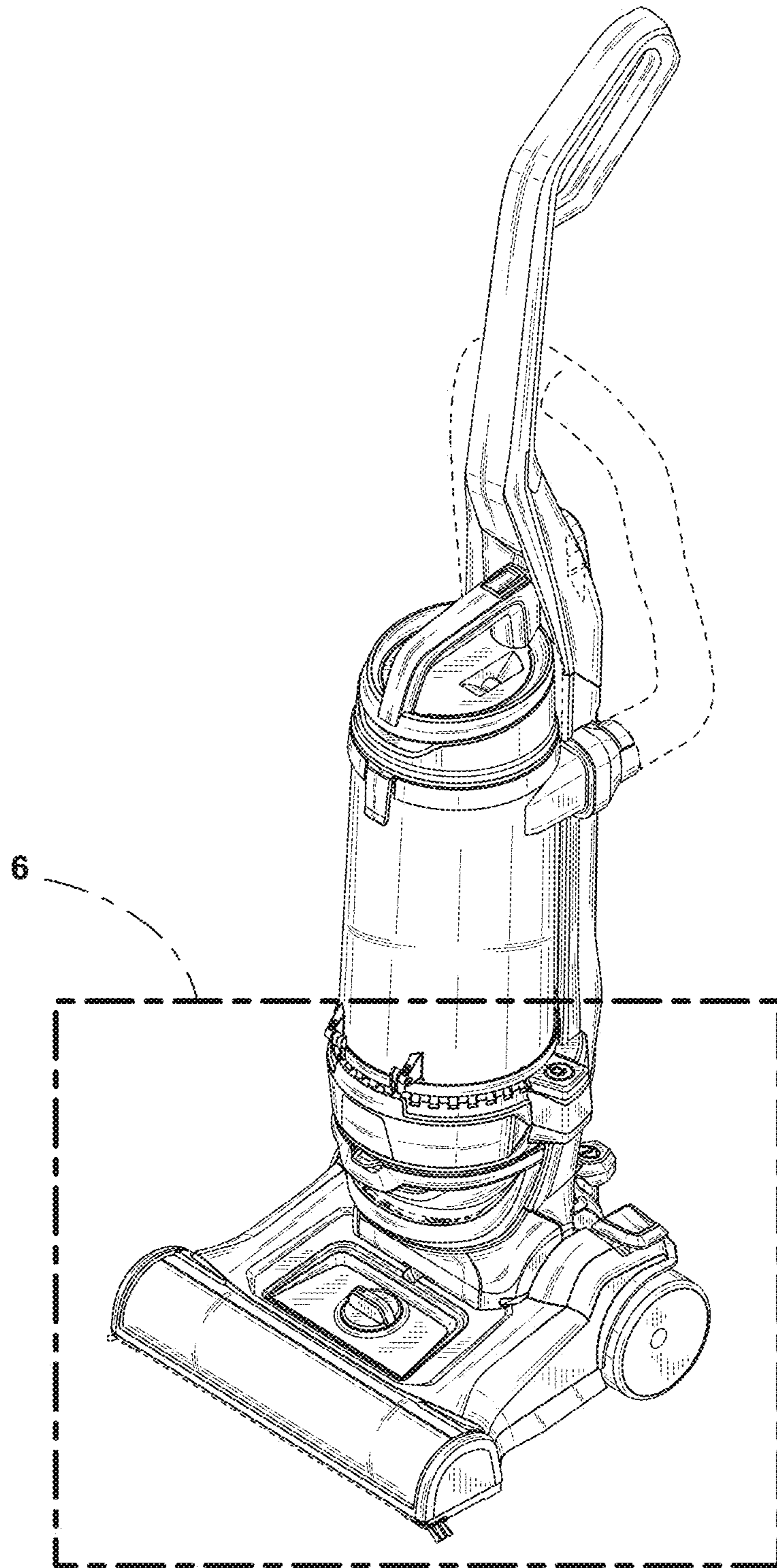


FIG. 1

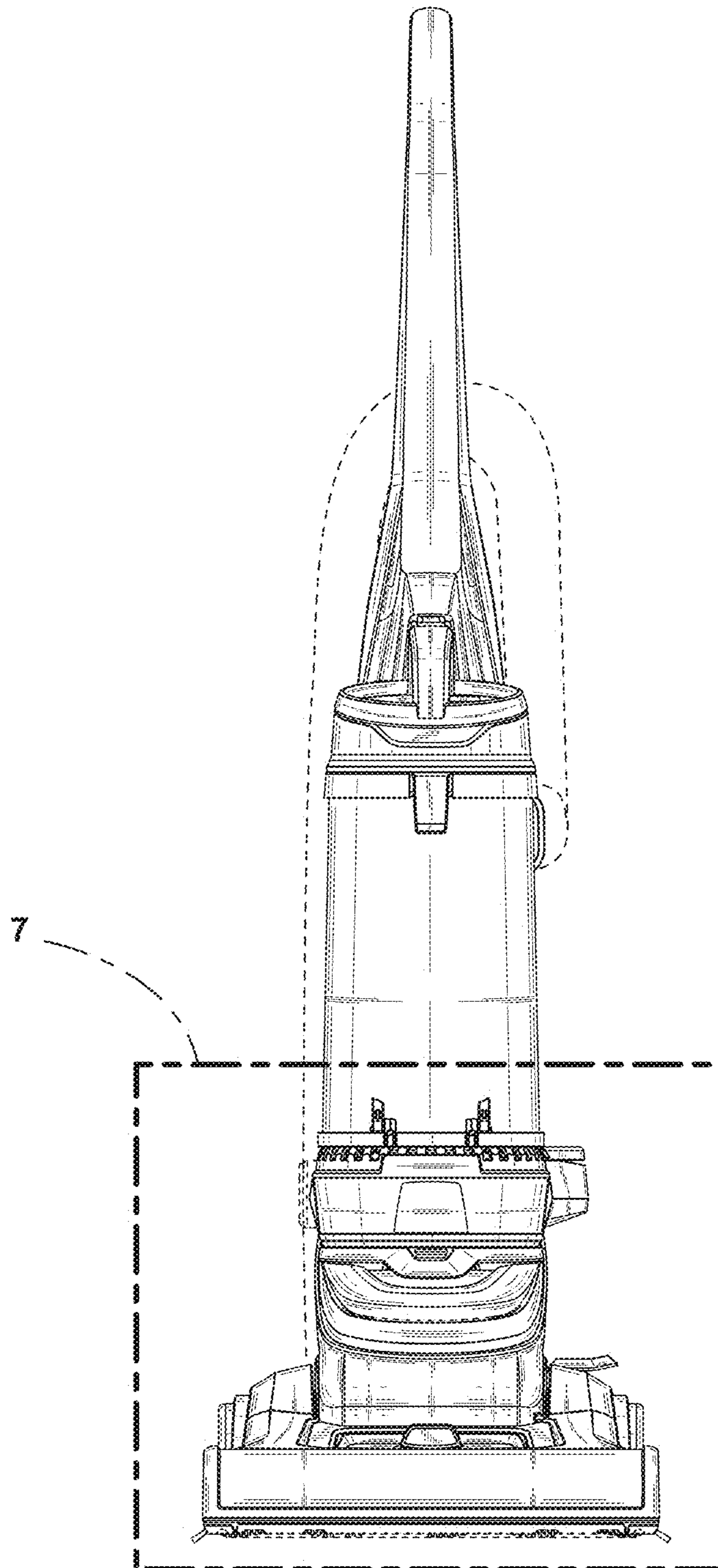
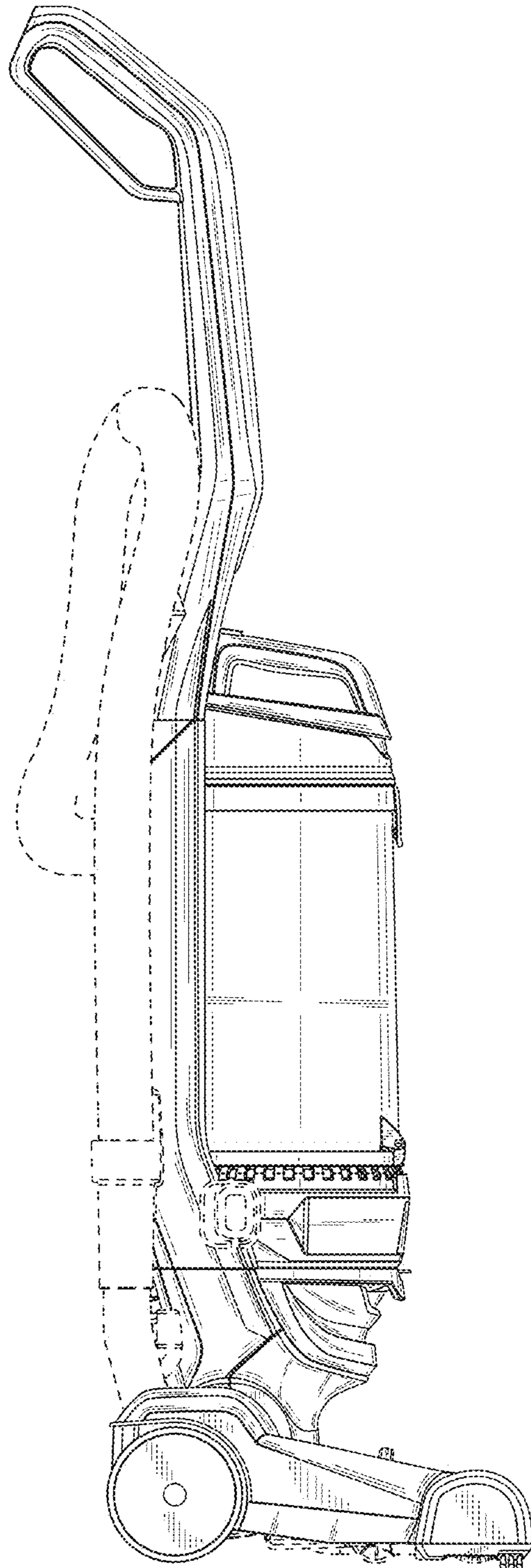
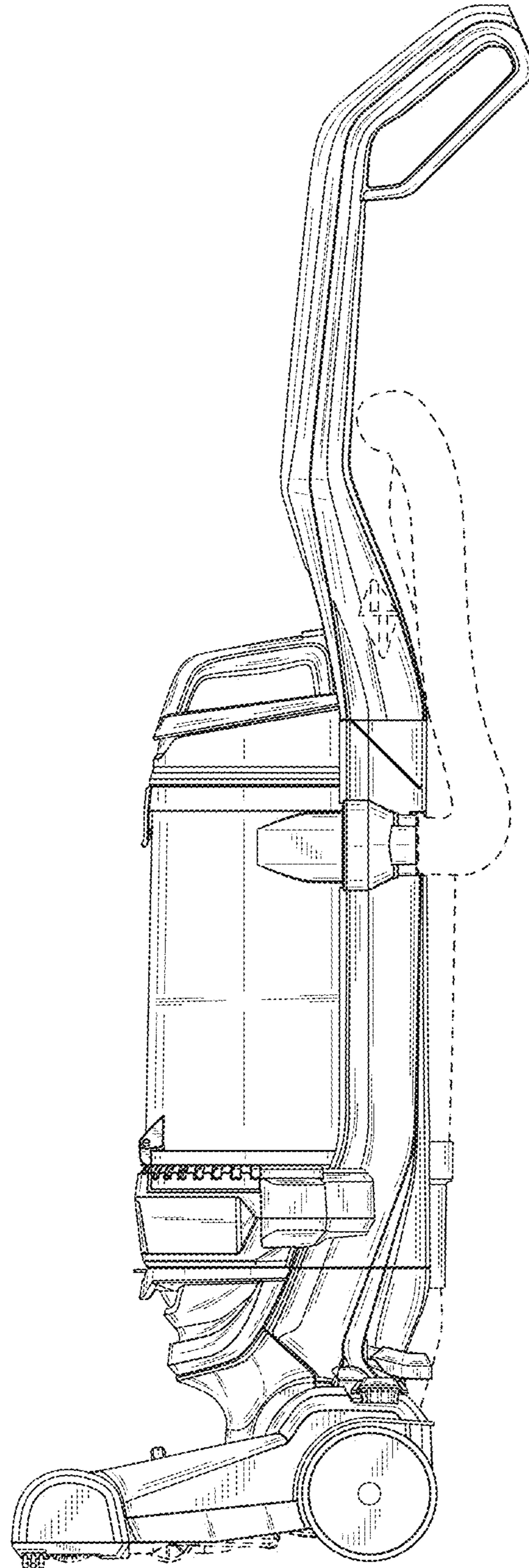


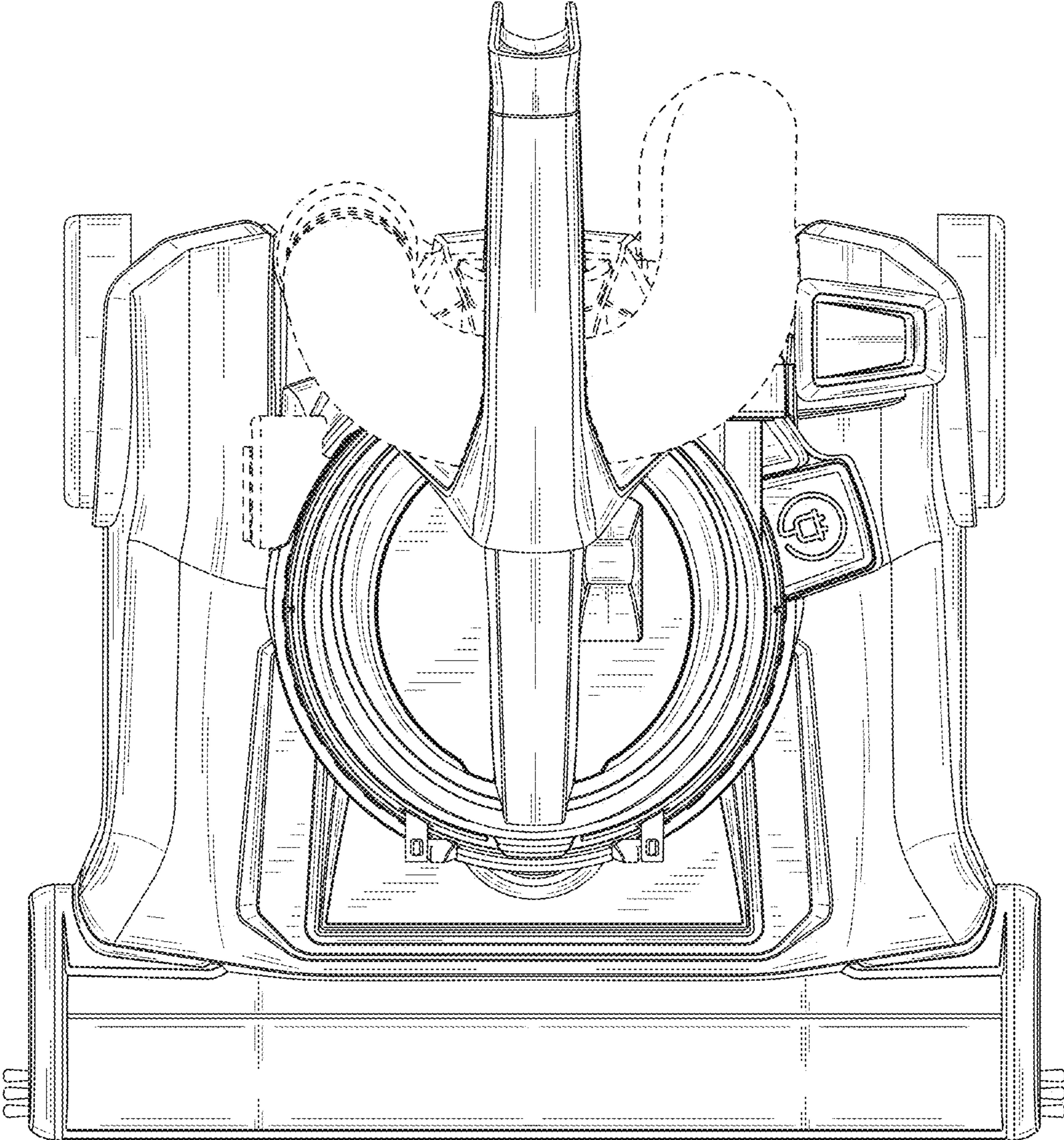
FIG. 2



**FIG. 3**



**FIG. 4**



**FIG. 5**

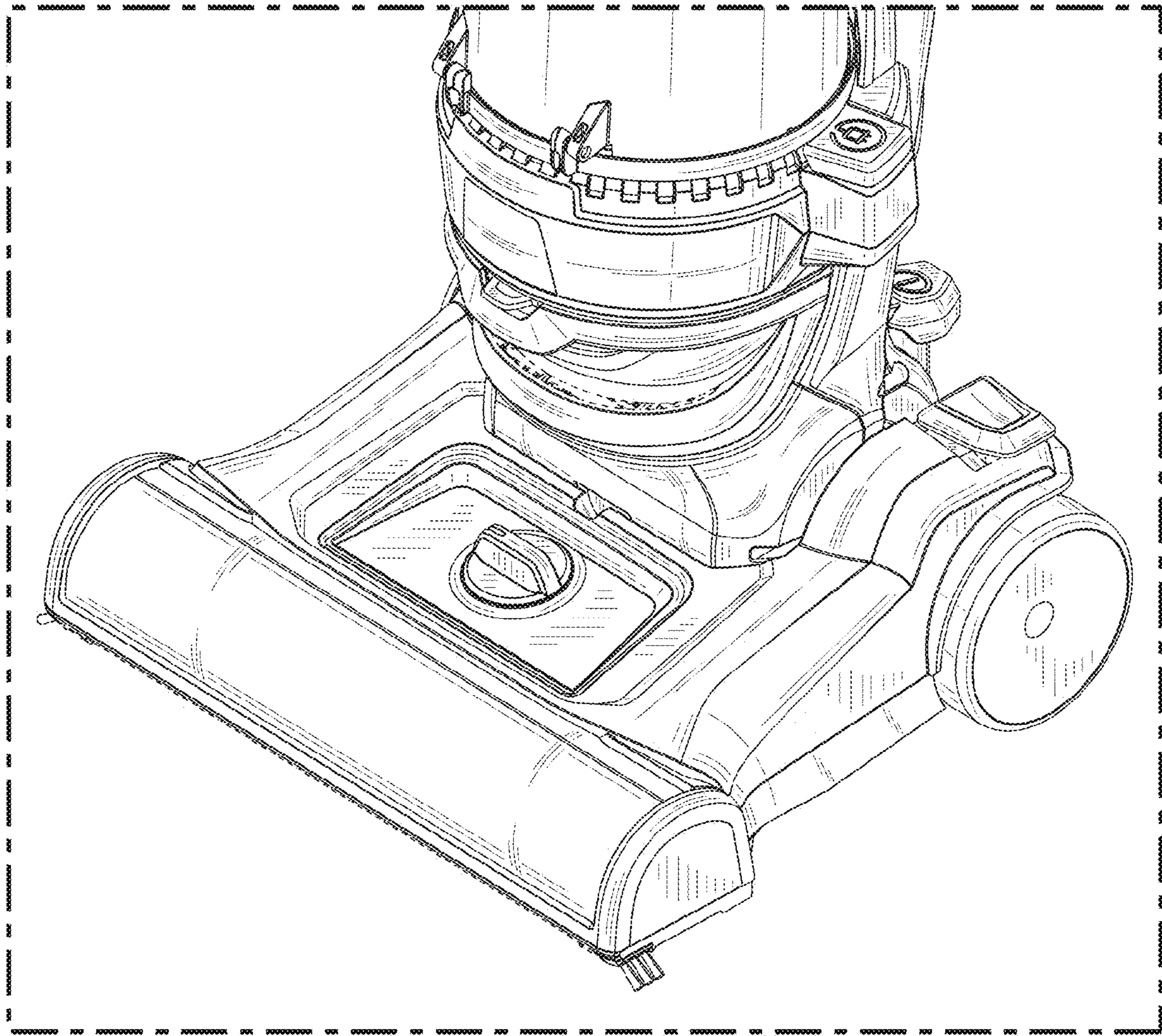


FIG. 6



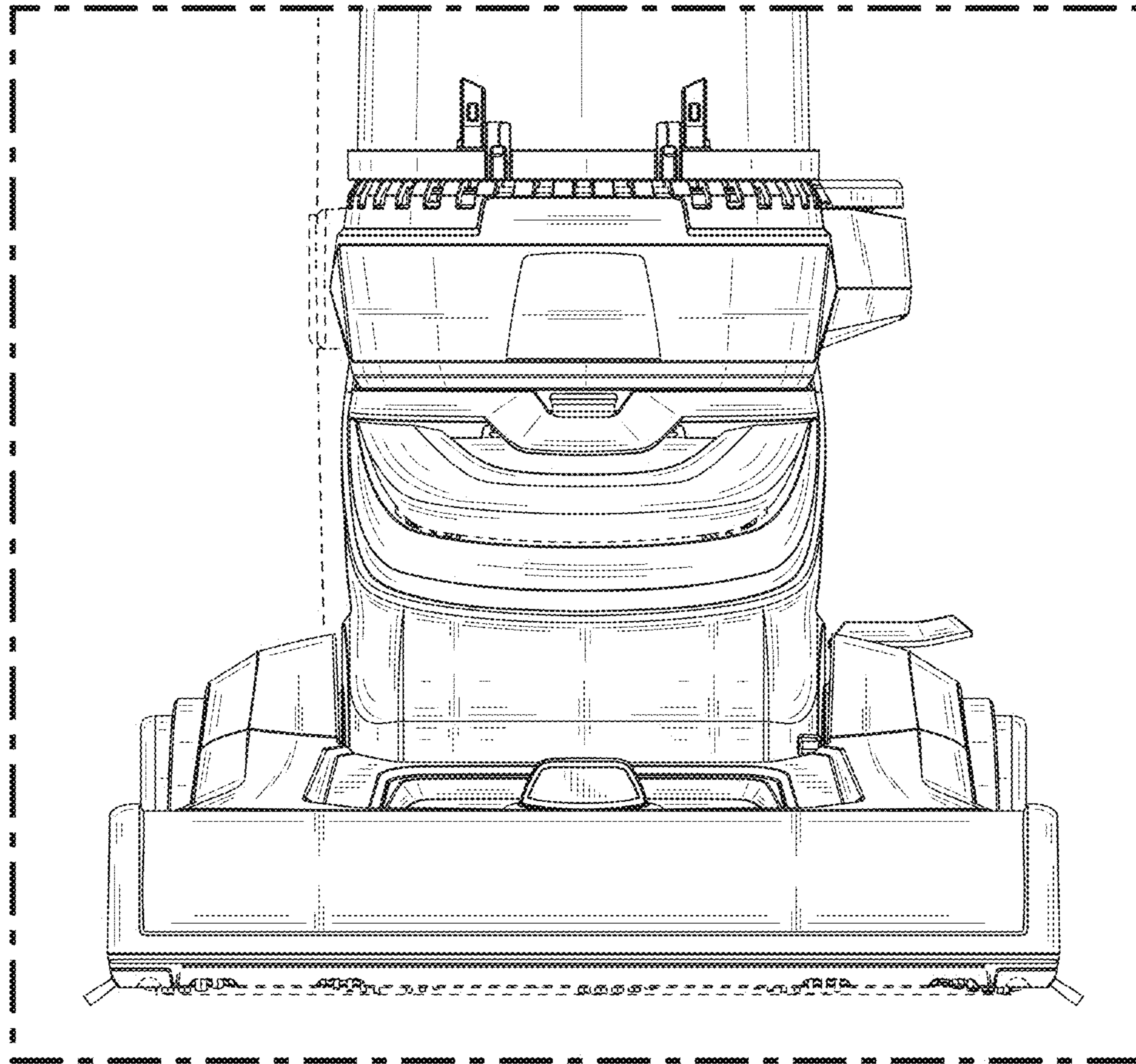


FIG. 7