

US00D944477S

(12) **United States Design Patent**
Schultz

(10) **Patent No.:** **US D944,477 S**
(45) **Date of Patent:** **** Feb. 22, 2022**

(54) **AUTOMOTIVE CONSOLE VACUUM CLEANER**

FOREIGN PATENT DOCUMENTS

JP D1656807 * 4/2021

(71) Applicant: **Emerson Electric Co.**, St. Louis, MO (US)

OTHER PUBLICATIONS

(72) Inventor: **Douglas C. Schultz**, Glen Carbon, IL (US)

Honda Odyssey's onboard vacuum cleans up, available in consumer-reports.org, announced Sep. 13, 2013 [online], [site visited Apr. 15, 2021], Internet URL: <https://www.consumerreports.org/cro/news/2013/09/tests-of-the-honda-odyssey-onboard-vacuum/index.htm> (Year: 2013).*

(73) Assignee: **Emerson Electric Co.**, St. Louis, MO (US)

(Continued)

(**) Term: **15 Years**

Primary Examiner — Dana K Weiland

Assistant Examiner — Jennylou M Binas

(21) Appl. No.: **29/689,125**

(74) *Attorney, Agent, or Firm* — Armstrong Teasdale LLP

(22) Filed: **Apr. 26, 2019**

(51) **LOC (13) Cl.** **15-05**

(52) **U.S. Cl.**
USPC **D32/21**

(58) **Field of Classification Search**
USPC D12/415, 416, 423; D32/21
CPC .. B23Q 11/0046; A47L 7/0076; A47L 9/0027;
A47L 11/30; B60R 5/04; B60R 7/06;
B60S 3/008; B60S 1/64; E04H 4/163
See application file for complete search history.

(57) **CLAIM**

I claim the ornamental design for an automotive console vacuum cleaner, as shown and described.

DESCRIPTION

FIG. 1 is a perspective view of an automotive console vacuum cleaner showing the new design in a vehicle interior. FIG. 2 is an enlarged perspective view of the automotive console vacuum cleaner of FIG. 1.

FIG. 3 is an enlarged front view of the automotive console vacuum cleaner of FIG. 1; and,

FIG. 4 is an enlarged bottom view of the automotive console vacuum cleaner of FIG. 1.

In these drawings, the broken line showing of a vehicle interior in FIG. 1 is for the purpose of illustrating environment and forms no part of the claimed design. The rectangular broken line in FIG. 1 surrounding the vehicle interior shows the boundary of the environment and forms no part of the claimed design. All other broken lines illustrate portions of the automotive console vacuum cleaner that form no part of the claimed design.

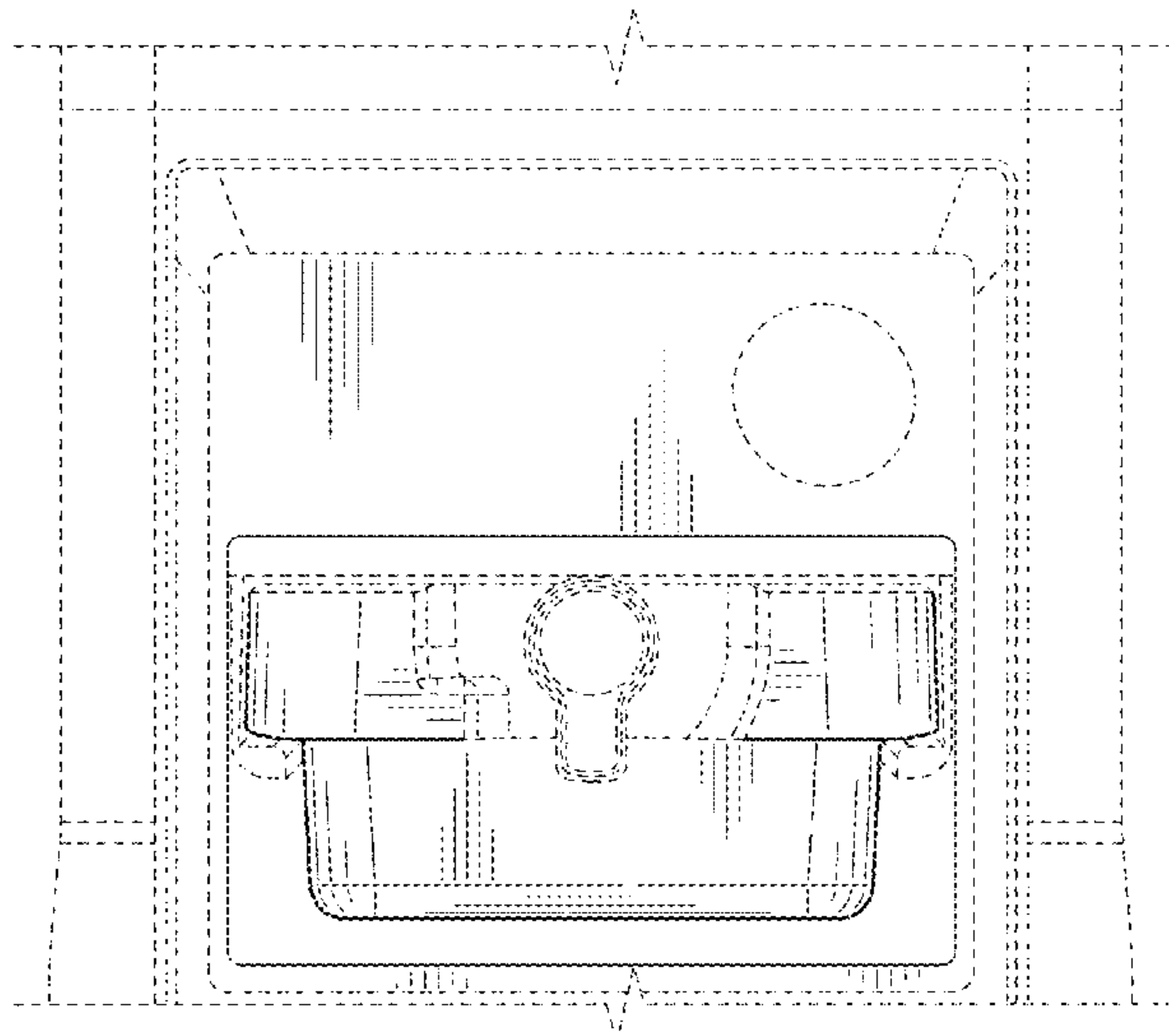
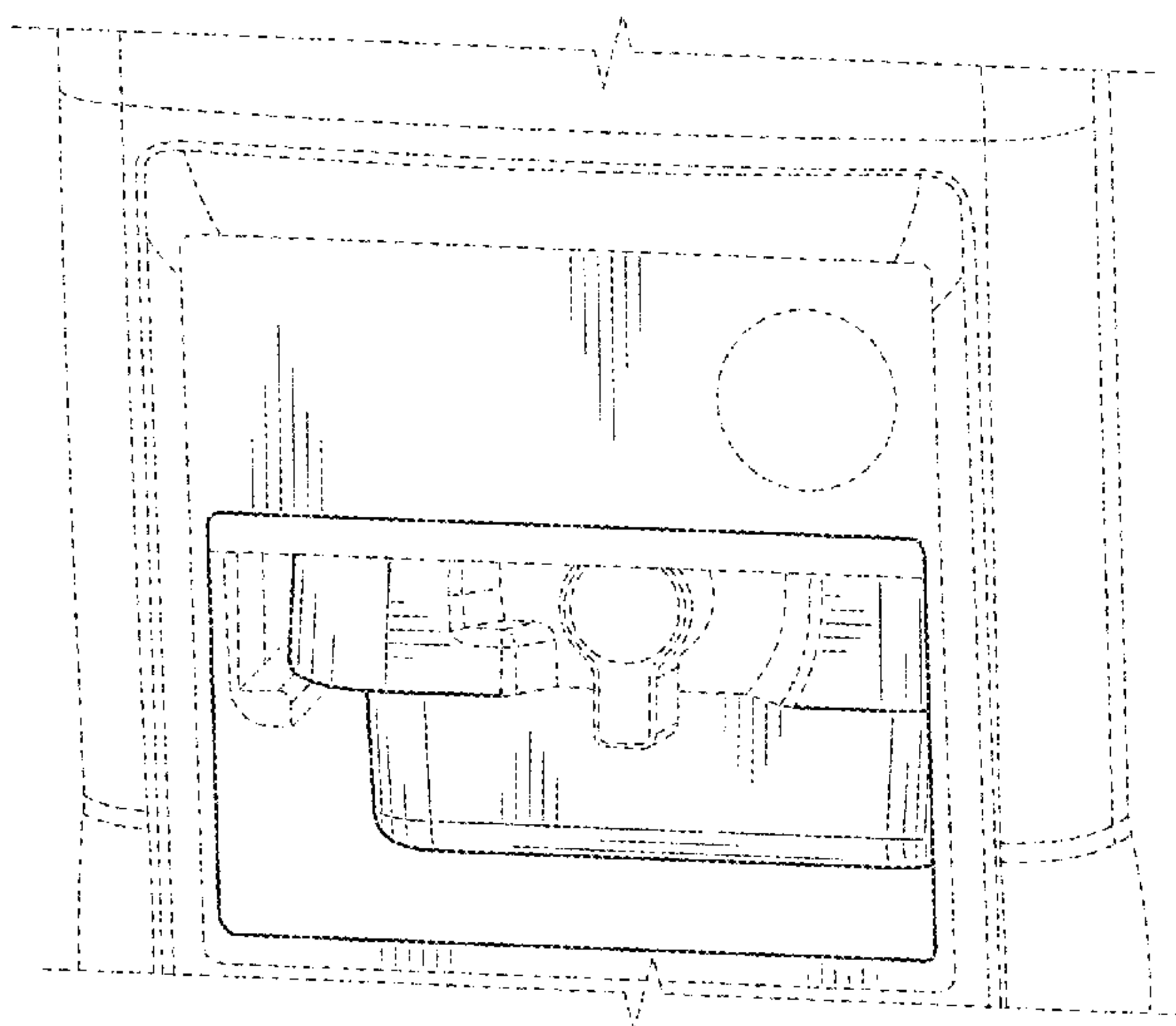
(56) **References Cited**

U.S. PATENT DOCUMENTS

- | | | | | | |
|-----------|-----|---------|----------------|-------|--------------|
| 3,998,385 | A * | 12/1976 | Ogle | | B60H 1/00507 |
| | | | | | 237/12.3 B |
| 5,189,753 | A * | 3/1993 | Sousa | | B60S 1/64 |
| | | | | | 15/313 |
| D346,051 | S * | 4/1994 | Freiwald | | D32/21 |
| D425,475 | S * | 5/2000 | Merer | | D12/415 |
| 6,128,804 | A * | 10/2000 | Lee | | B60N 3/086 |
| | | | | | 15/313 |
| D443,855 | S * | 6/2001 | Merer | | D12/415 |
| 6,588,821 | B2 | 7/2003 | Worrell et al. | | |
| D483,914 | S * | 12/2003 | Slone | | D32/21 |

(Continued)

1 Claim, 3 Drawing Sheets



(56)

References Cited

U.S. PATENT DOCUMENTS

D494,717 S 8/2004 Slone et al.
 D541,209 S 4/2007 Castator et al.
 7,278,681 B2 10/2007 Lilov et al.
 7,513,007 B2 4/2009 Chernoff
 D607,808 S * 1/2010 Wilhelm D12/415
 D632,640 S 2/2011 Wyszogrod et al.
 8,474,897 B1 7/2013 Jackson
 8,616,605 B2 * 12/2013 Hipshier B60R 7/04
 296/24.34
 D724,004 S 3/2015 McFarlin et al.
 D735,636 S 8/2015 Wragg
 D770,361 S 11/2016 Chan
 D787,423 S 5/2017 Lin et al.
 D830,950 S 10/2018 Lee et al.
 D842,218 S 3/2019 Hontz et al.
 D876,317 S * 2/2020 Richner D12/415
 10,882,457 B2 * 1/2021 Yurko A47L 9/1427

10,906,446 B2 * 2/2021 Gaines B60N 3/002
 2005/0011035 A1 * 1/2005 Rukavina A47L 7/0076
 15/313
 2010/0242206 A1 * 9/2010 Maehata B60S 1/64
 15/313
 2013/0009417 A1 1/2013 Hipshier et al.
 2013/0276261 A1 * 10/2013 Norell A47L 9/0081
 15/347
 2019/0048607 A1 * 2/2019 Jung E04H 4/1636

OTHER PUBLICATIONS

Genuine GM Interior Cleaning System Onboard Vacuum, available
 iwww.ebay.com, announced Jan. 13, 2020 [online], [site visited Apr.
 15, 2021], Internet URL: https://www.ebay.com/itm/Genuine-GM-Interior-Cleaning-System-Onboard-Vacuum-19369194-/402009976090?_trksid=p2385738.m4383.14275.c10 (Year: 2020).*

* cited by examiner

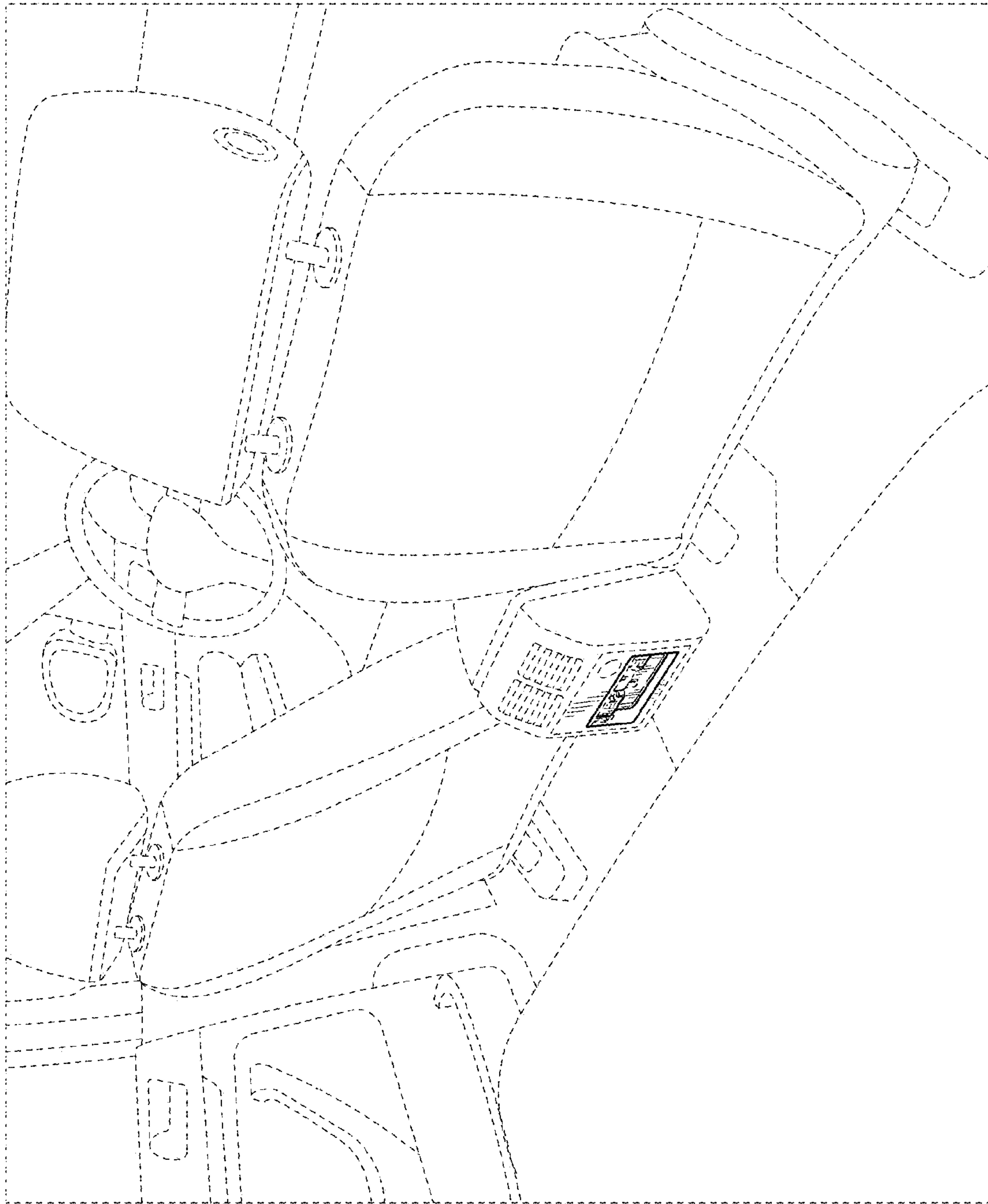


FIG. 1

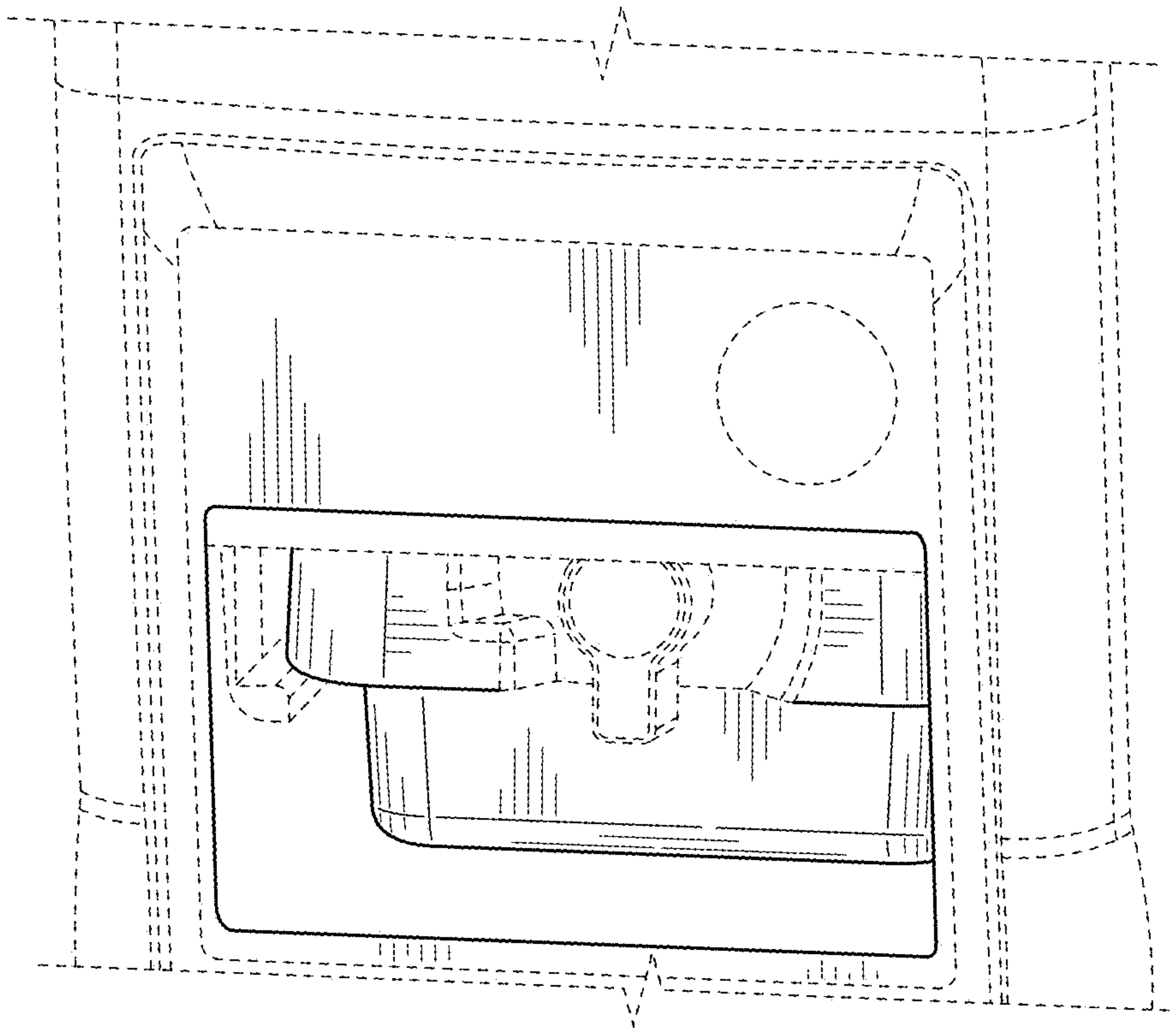


FIG. 2

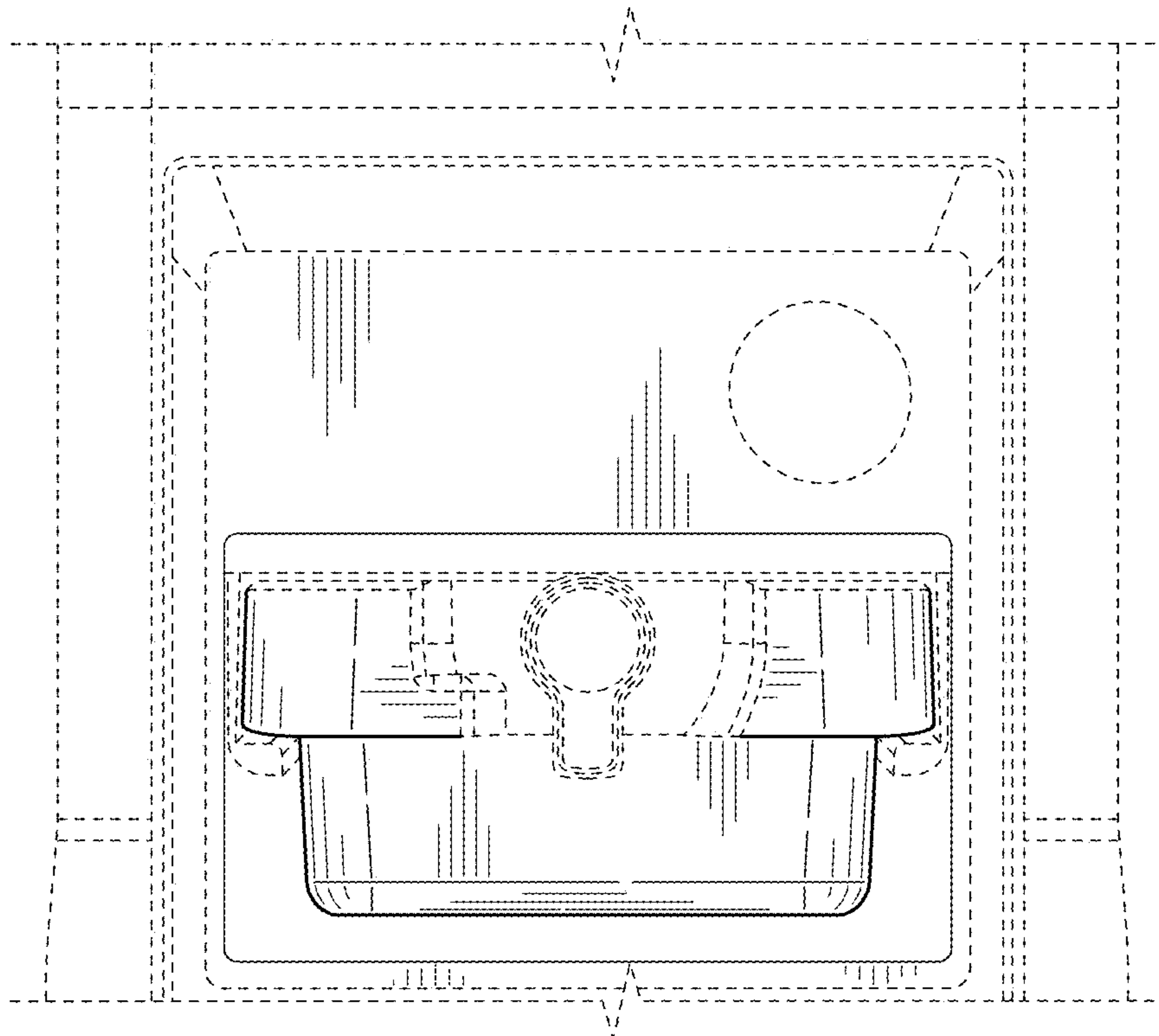


FIG. 3

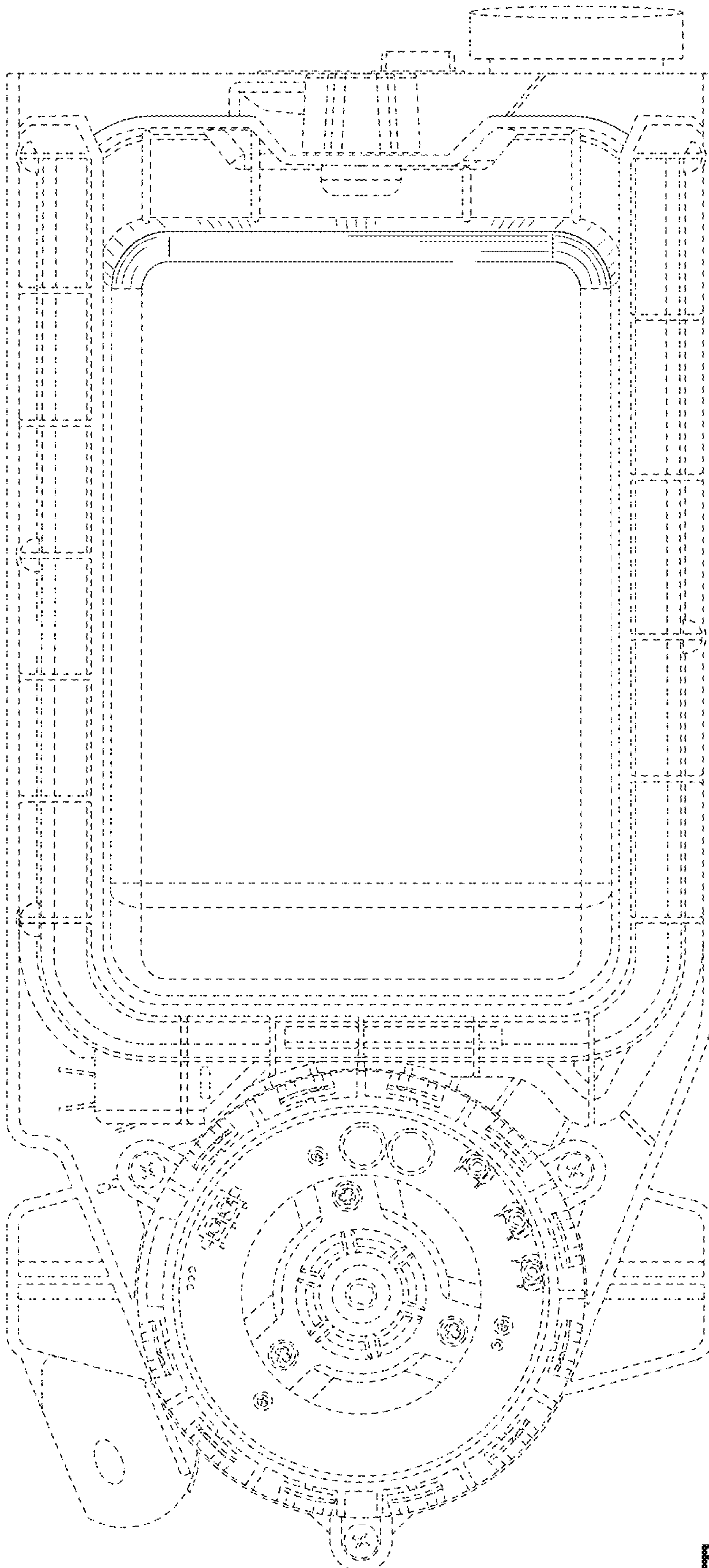


FIG. 4