



US00D944474S

(12) **United States Design Patent** (10) **Patent No.:** **US D944,474 S**
Kuhls (45) **Date of Patent:** **** Feb. 22, 2022**

(54) **DUST COLLECTOR**

(71) Applicant: **Festool GmbH**, Wendlingen (DE)

(72) Inventor: **Timo Kuhls**, Stuttgart (DE)

(73) Assignee: **FESTOOL GMBH**, Wendlingen (DE)

(**) Term: **15 Years**

(21) Appl. No.: **29/728,890**

(22) Filed: **Mar. 23, 2020**

(30) **Foreign Application Priority Data**

Sep. 24, 2019 (DE) 402019101056.4

(51) **LOC (13) Cl.** **15-05**

(52) **U.S. Cl.**

USPC **D32/15; D32/21**

(58) **Field of Classification Search**

USPC D32/21, 24, 31, 15; D3/276, 294;
D13/108, 109; D15/144

CPC A47L 5/24; A47L 5/28; A47L 5/30; A47L
5/34; A47L 7/0004; A47L 9/04; A47L
9/325; A47L 9/1683; A47L 11/30; A47L
11/302; A47L 11/34; A47L 11/4005;
A47L 11/4008; A47L 11/4016; A47L
11/4041; A47L 11/4044; B04C 5/185;
B08B 3/04; B23Q 11/0046; B23Q
11/0071; E04H 4/1636

See application file for complete search history.

(56) **References Cited**

U.S. PATENT DOCUMENTS

D633,665 S *	3/2011	Dammkoehler	D32/21
D655,874 S *	3/2012	Dammkoehler	D32/24
D715,505 S *	10/2014	Dammkoehler	D32/21
D725,328 S *	3/2015	Aglassinger	D32/21
D725,329 S *	3/2015	Aglassinger	D32/21
D746,523 S *	12/2015	Jin	D32/21
D782,759 S *	3/2017	Mathiassen	D32/21
D802,861 S *	11/2017	Jin	D32/21

D830,015 S *	10/2018	Jin	D32/21
2020/0100638 A1 *	4/2020	Caspar	A47L 9/2884
2020/0101574 A1 *	4/2020	Caspar	H04W 76/10

(Continued)

FOREIGN PATENT DOCUMENTS

WO	D200856-001	*	8/2019
WO	D200856-002	*	8/2019

(Continued)

OTHER PUBLICATIONS

Festool HEPA Dust Extractors, announced in YouTube on Oct. 27, 2014 [online], [site visited] Jan. 25, 2021], Available from the internet URL: <https://www.youtube.com/watch?v=EswZ4FpauPc> (Year: 2014).*

Festool CT 15 HEPA Dust Extractor, announced in YouTube on Jan. 8, 2020 [online], [site visited] Jan. 25, 2021], Available from the internet URL: <https://www.youtube.com/watch?v=0ILR4iqBHA4> (Year: 2020).*

(Continued)

Primary Examiner — Dana K Weiland

Assistant Examiner — Jennylou M Binas

(74) *Attorney, Agent, or Firm* — Hoffmann & Baron LLP

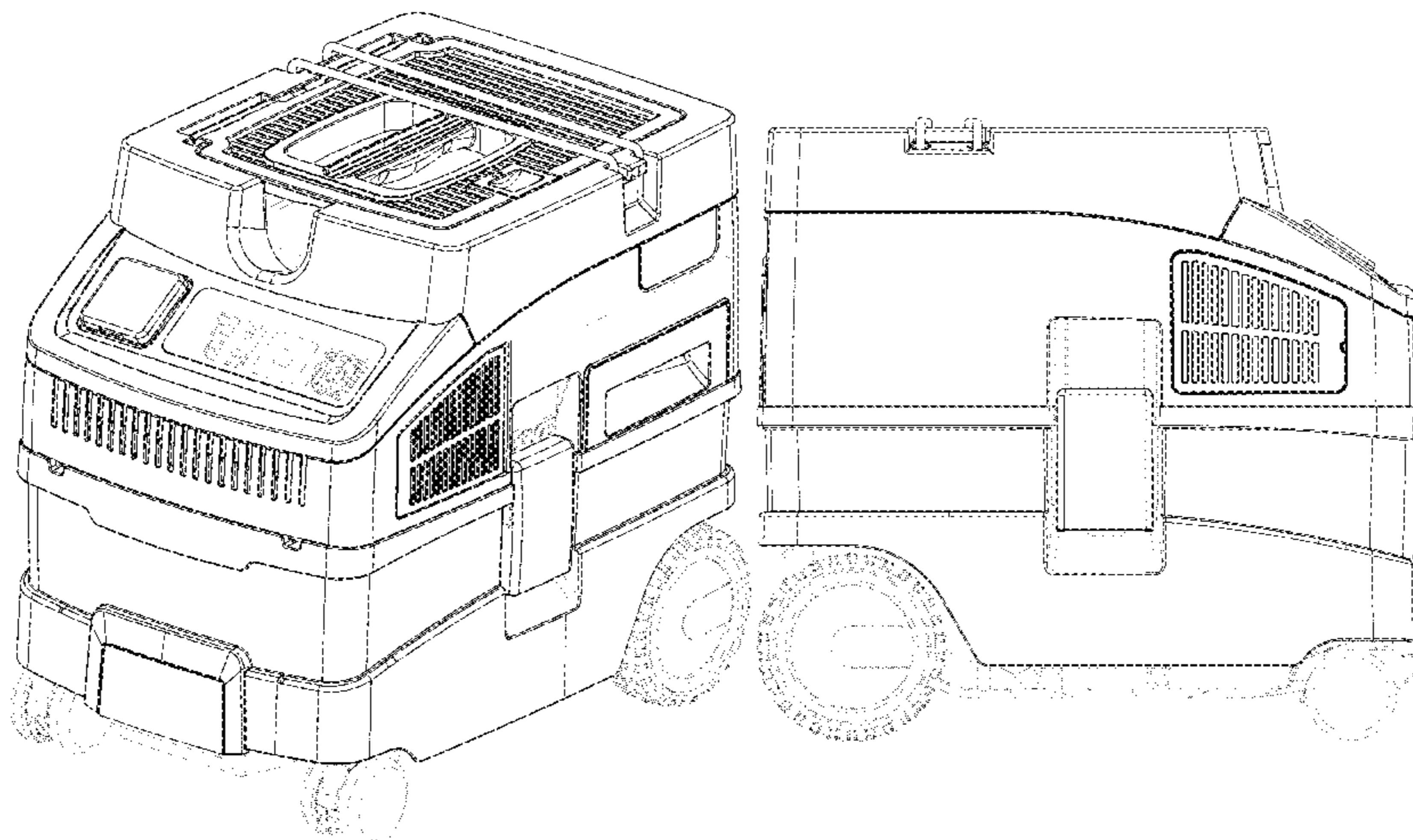
(57) **CLAIM**

The ornamental design for a dust collector, as shown and described.

DESCRIPTION

FIG. 1 is a top perspective view of a dust collector showing my new design;
FIG. 2 is a left side plan view thereof;
FIG. 3 is a right side plan view thereof;
FIG. 4 is a front plan view thereof;
FIG. 5 is a back plan view thereof;
FIG. 6 is a top plan view thereof; and,
FIG. 7 is a bottom plan view thereof.

(Continued)



The broken lines shown in the figures are included for the purpose of illustrating portions of the dust collector and form no part of the claimed design.

1 Claim, 7 Drawing Sheets

WO	D206961-001	*	9/2020
WO	D206961-002	*	9/2020
WO	D206961-003	*	9/2020
WO	D206961-004	*	9/2020
WO	D206961-005	*	9/2020

(56)

References Cited

U.S. PATENT DOCUMENTS

2020/0146520	A1*	5/2020	Caspar	B25F 5/00
2020/0221912	A1*	7/2020	Caspar	A47L 7/0095
2021/0076890	A1*	3/2021	Maier	A47L 7/009
2021/0282615	A1*	9/2021	Caspar	A47L 5/38

FOREIGN PATENT DOCUMENTS

WO	D200856-003	*	8/2019
WO	D200856-004	*	8/2019
WO	D200856-005	*	8/2019
WO	D200856-006	*	8/2019
WO	D200856-007	*	8/2019
WO	D200856-008	*	8/2019
WO	D200856-009	*	8/2019

OTHER PUBLICATIONS

Festool CT Dust Extractors: New CT Mini/Midi I, announced in YouTube on Jul. 25, 2019 [online], [site visited] Jan. 25, 2021], Available from the internet URL: <https://www.youtube.com/watch?v=9SNjCjGPbhA> (Year: 2019).*

Professional 1600w Water filter wet/dry vacuum, available in alibaba.com on 2018 [online], [site visited] Jan. 25, 2021], Available from the internet URL: https://www.alibaba.com/product-detail/Professional-1600W-Water-Filter-Wet-And_62077958934.html?spm=a2700.pc_countrysearch.main07.3.437d7%E2%80%A6 (Year: 2018).*

Fein Turbo X Wet Dry Dust Extractor, available in Amazon.com, date first available Apr. 5, 2017 [online], [site visited Apr. 19, 2021], Available from the internet URL: <https://www.amazon.com/Fein-Turbo-Dust-Extractor-Model/dp/B06Y2KQQCB> (Year: 2017).*

Best Dust Extractors—Head-2-Head Testing, announced in YouTube on Feb. 17, 2018 [online], [site visited] Apr. 19, 2021], Available from the internet URL: <https://www.youtube.com/watch?v=q3OTFdvp000> (Year: 2018).*

* cited by examiner

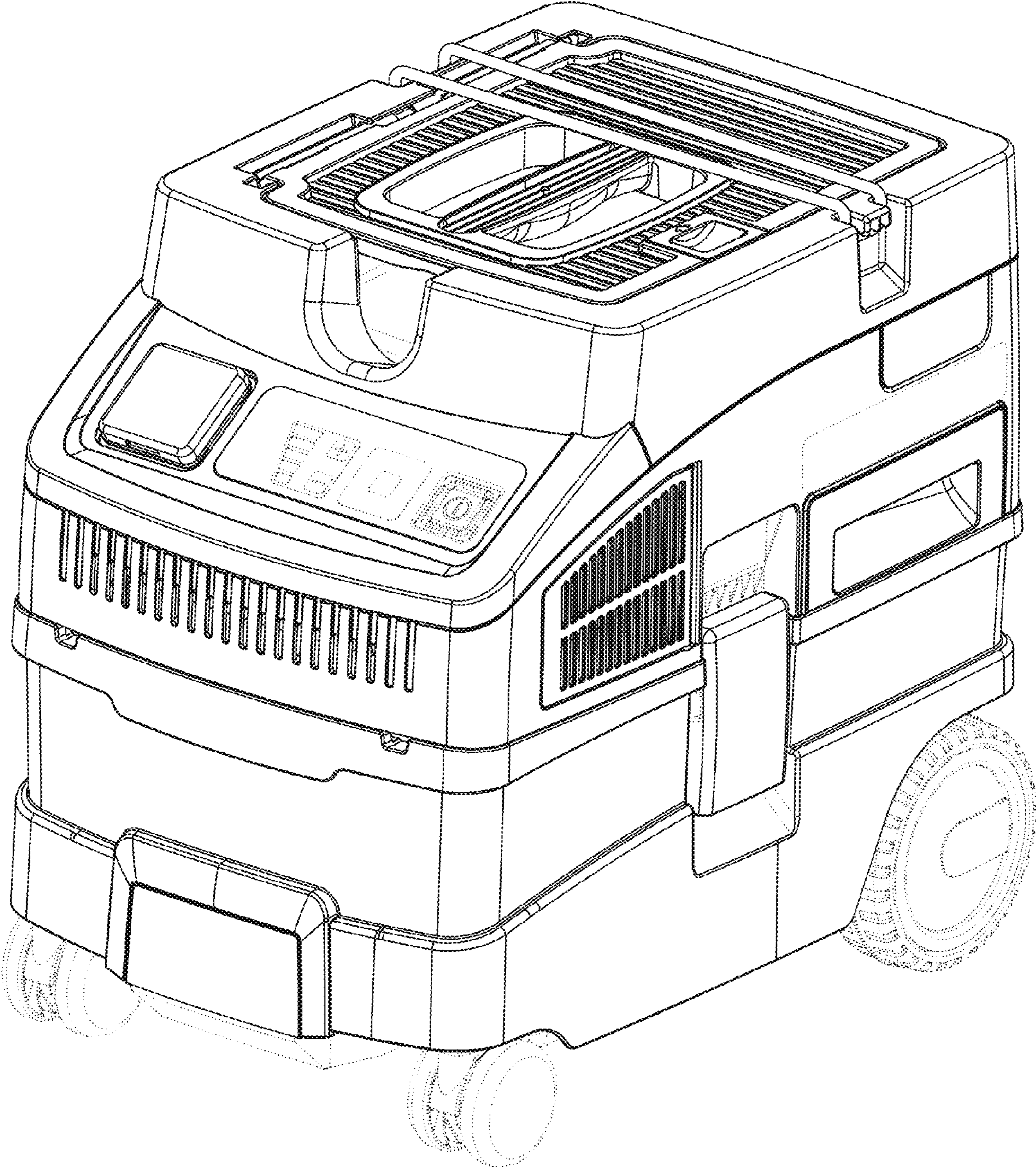


FIG. 1

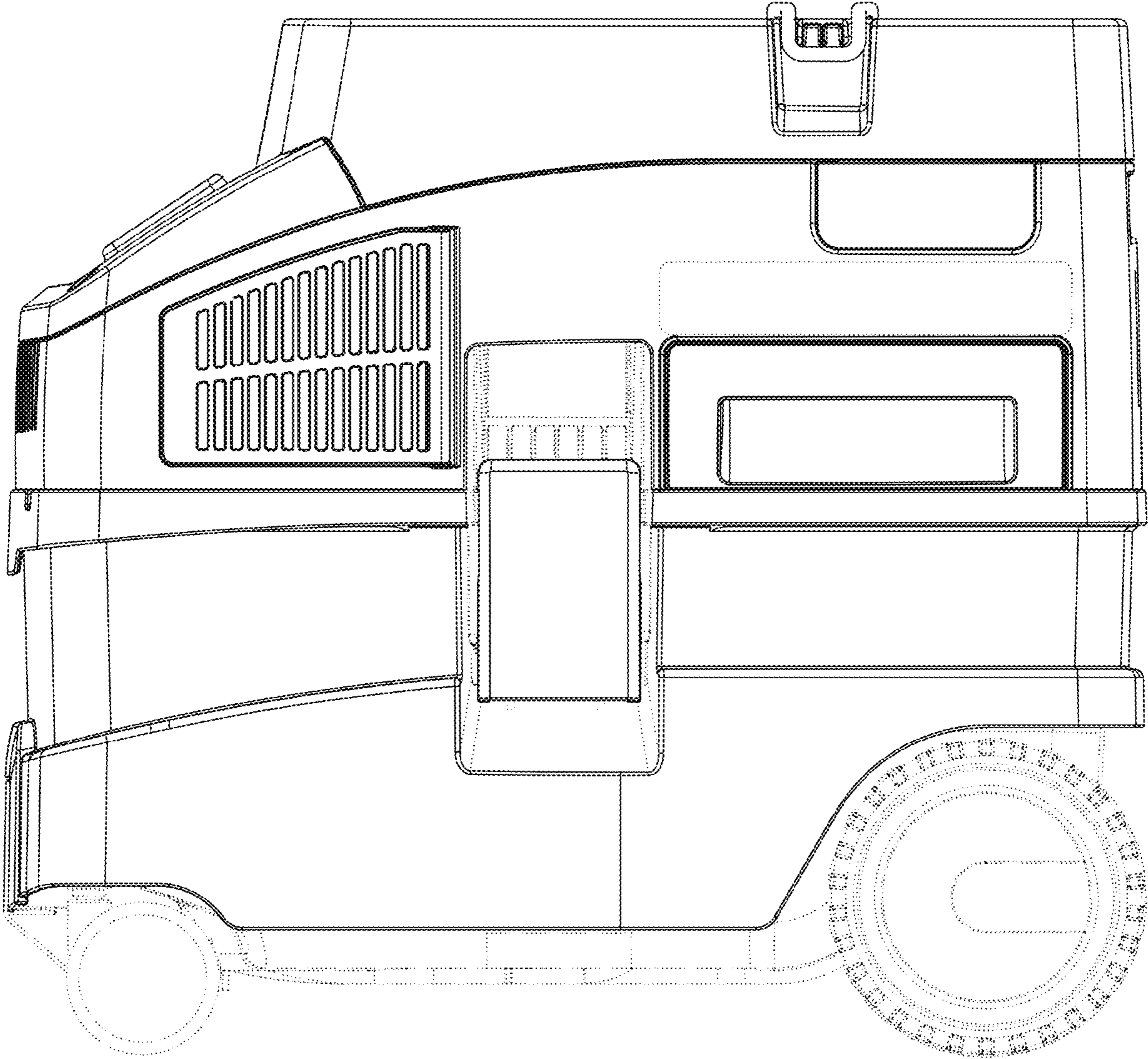


FIG. 2

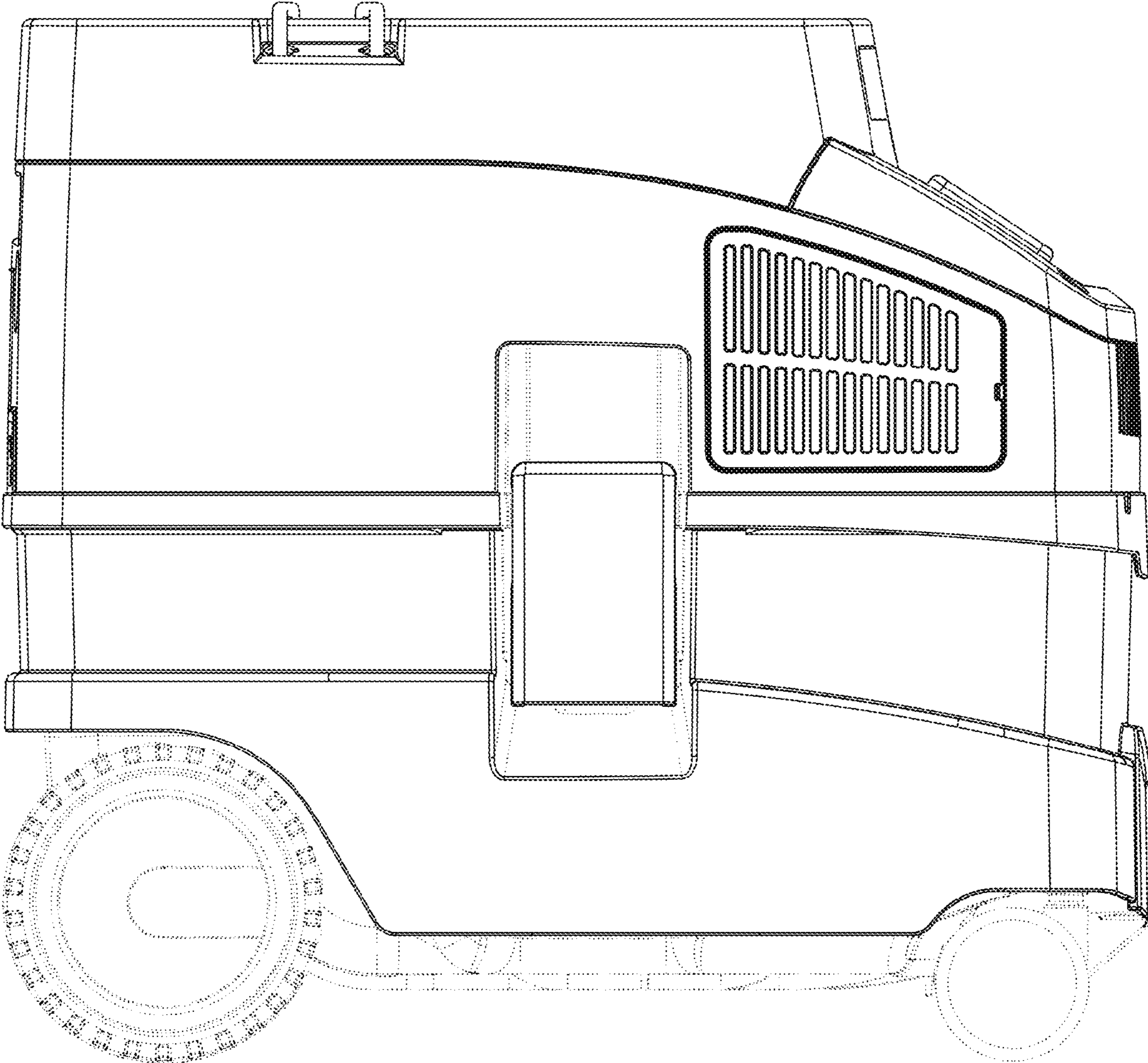


FIG. 3

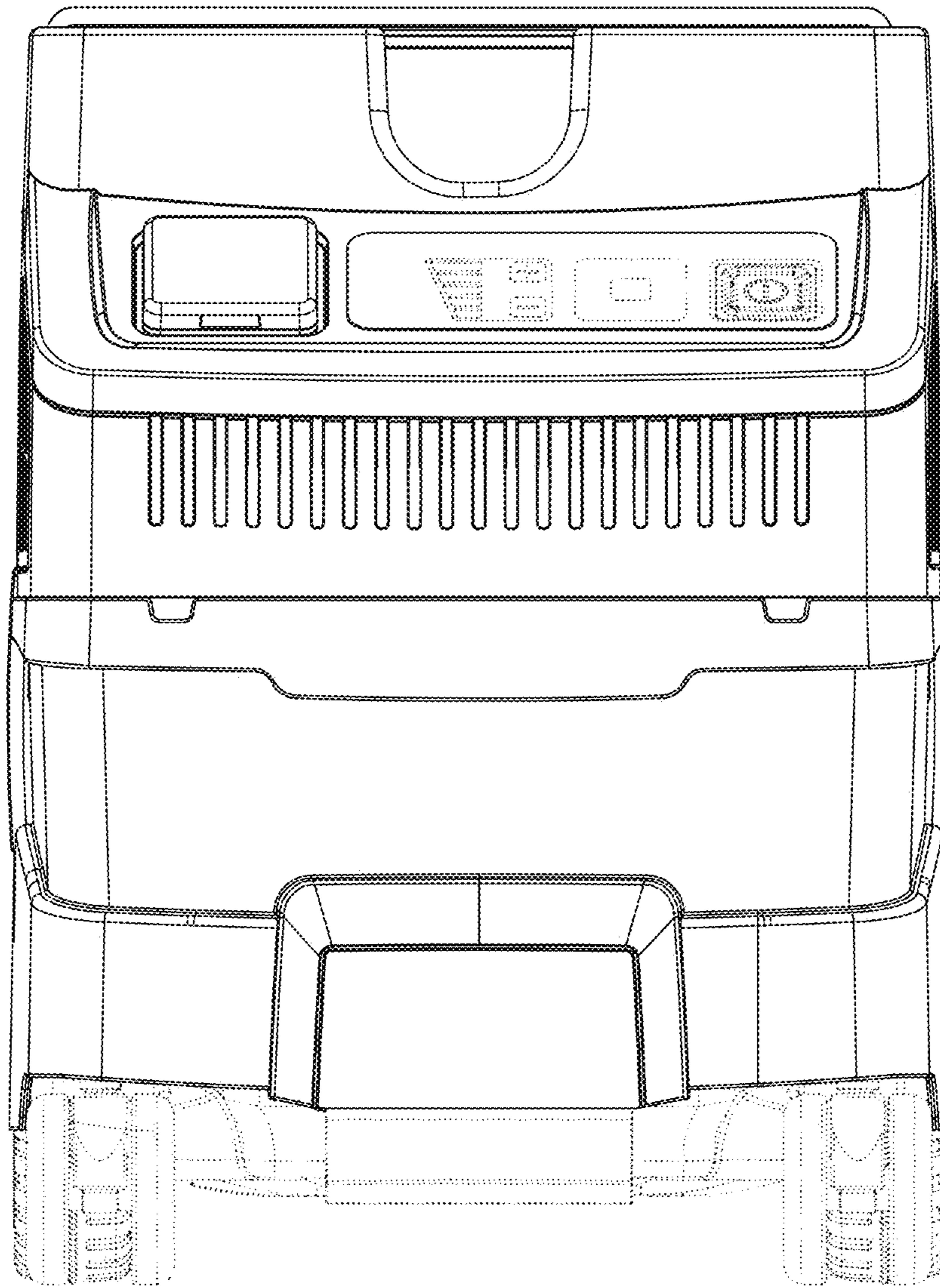


FIG. 4

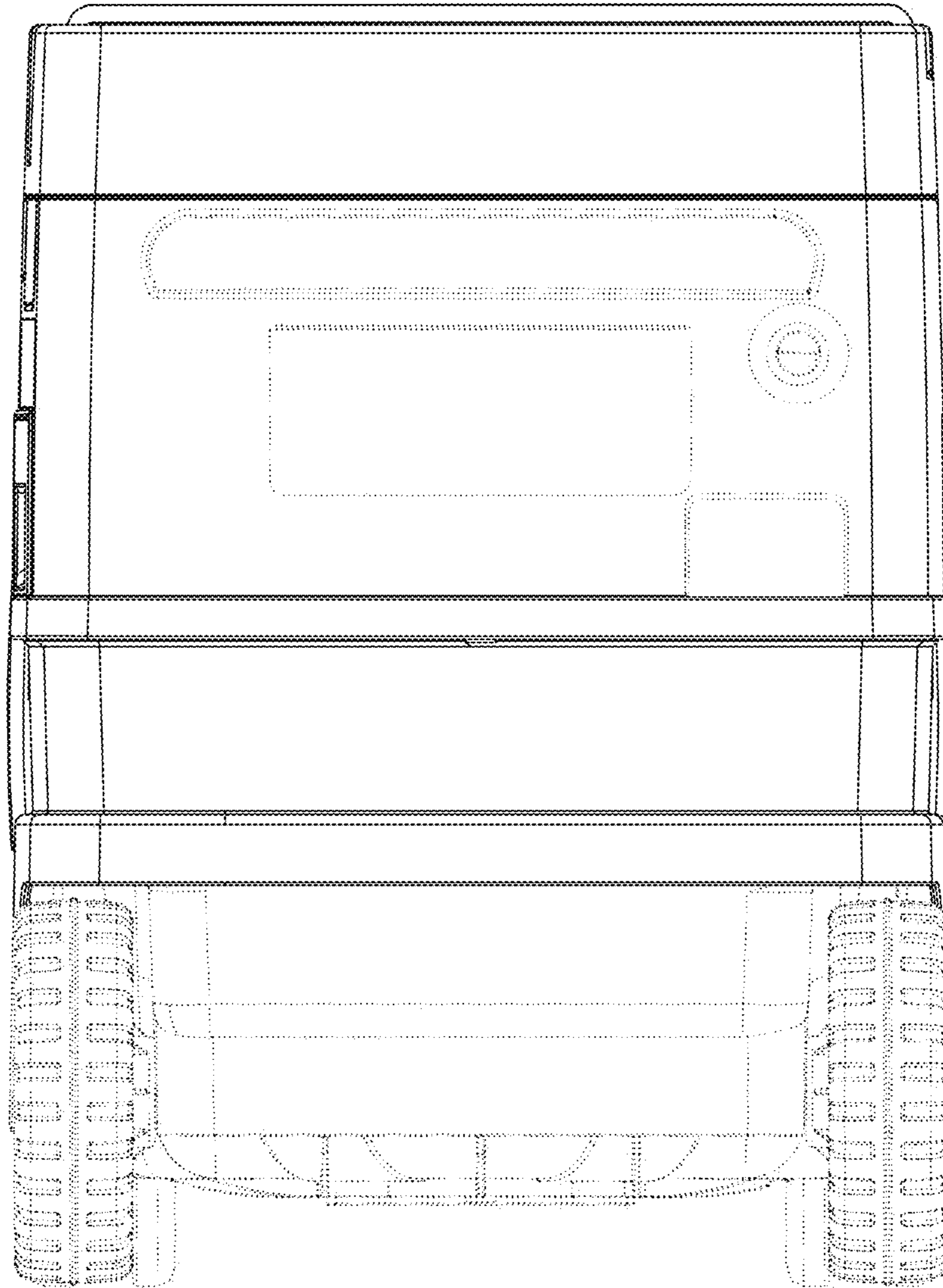


FIG. 5

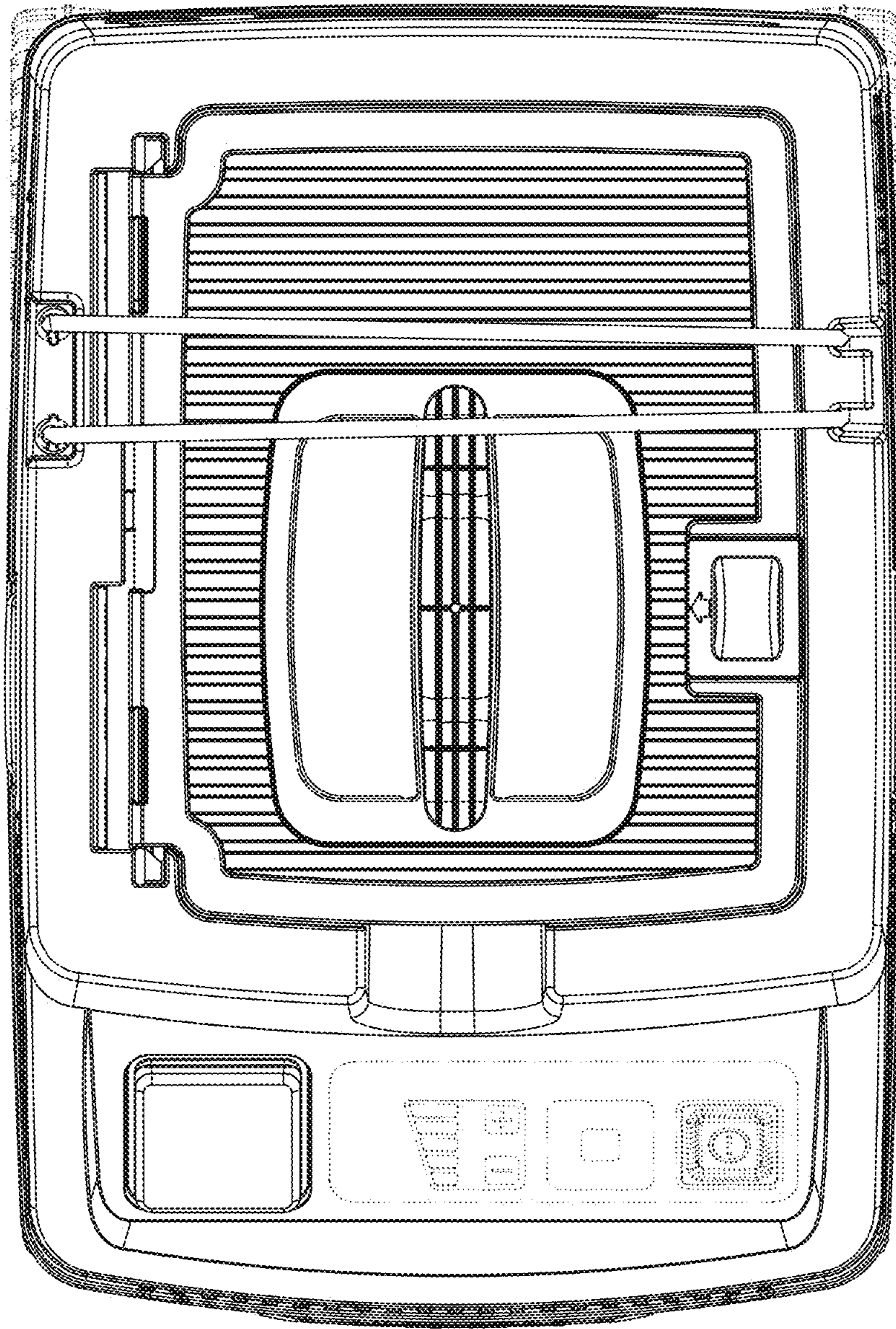


FIG. 6

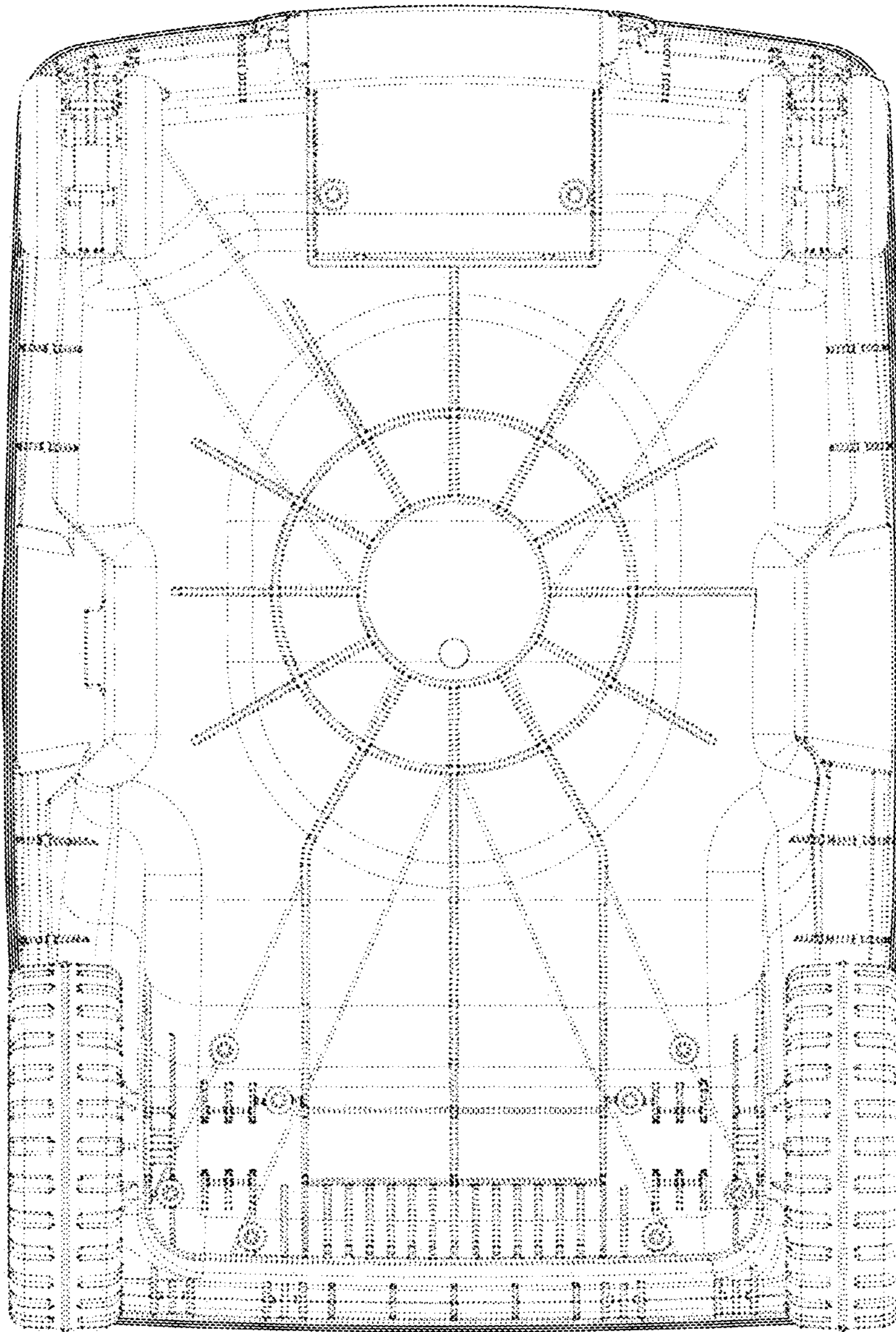


FIG. 7