



US00D944470S

(12) **United States Design Patent**  
**Li**

(10) **Patent No.:** **US D944,470 S**

(45) **Date of Patent:** **\*\* Feb. 22, 2022**

(54) **BARK CONTROL COLLAR**

(71) Applicant: **SHENZHEN DOGCARE  
INNOVATION & TECHNOLOGY  
CO., LTD.**, Guangdong (CN)

(72) Inventor: **Dong Li**, Guangdong (CN)

(73) Assignee: **SHENZHEN DOGCARE  
INNOVATION & TECHNOLOGY  
CO., LTD.**, Shenzhen (CN)

(\*\*) Term: **15 Years**

(21) Appl. No.: **29/739,633**

(22) Filed: **Jun. 27, 2020**

(30) **Foreign Application Priority Data**

Apr. 13, 2020 (CN) ..... 202030143763.8

(51) **LOC (13) Cl.** ..... **30-99**

(52) **U.S. Cl.**  
USPC ..... **D30/199; D10/104.1**

(58) **Field of Classification Search**  
USPC ..... D30/144, 151, 152, 153, 155, 156, 199;  
D10/104.1, 104.2, 105, 116.1; D14/137,  
D14/188; 119/712, 714, 716, 717, 718,  
119/719, 720, 722

CPC ..... A01K 15/02; A01K 15/022  
See application file for complete search history.

(56) **References Cited**

**U.S. PATENT DOCUMENTS**

D410,206 S *	5/1999	Slater	.....	D10/104.1
D520,894 S *	5/2006	Zakharyan	.....	D30/199
D632,853 S *	2/2011	Hardi	.....	D30/155
D673,334 S *	12/2012	Guo	.....	D30/152
D788,999 S *	6/2017	Zinn	.....	D30/199
D853,666 S *	7/2019	Ni	.....	D30/199
D858,904 S *	9/2019	Zinn	.....	D30/152

D880,082 S *	3/2020	Zinn	.....	D30/152
D888,353 S *	6/2020	Lan	.....	D30/199
D895,908 S *	9/2020	Yan	.....	D30/152
D899,012 S *	10/2020	Zinn	.....	D30/152
D919,201 S *	5/2021	Wang	.....	D30/199

(Continued)

**FOREIGN PATENT DOCUMENTS**

CN	305801910	*	5/2020
CN	305801912	*	5/2020
CN	305969378	*	8/2020

**OTHER PUBLICATIONS**

“Dog Care Rechargeable Bark Collar” available Jun. 1, 2021, [online], [site visited Nov. 16, 2021], Retrieved from Internet, URL:https://www.amazon.com/DOG-CARE-Rechargeable-Bark-Collar/dp/B08W4WL1GV/ref=sr\_1\_42 (Year: 2021).\*

(Continued)

*Primary Examiner* — W. A. Teddy Falloway

*Assistant Examiner* — Katrina N Gonzalez

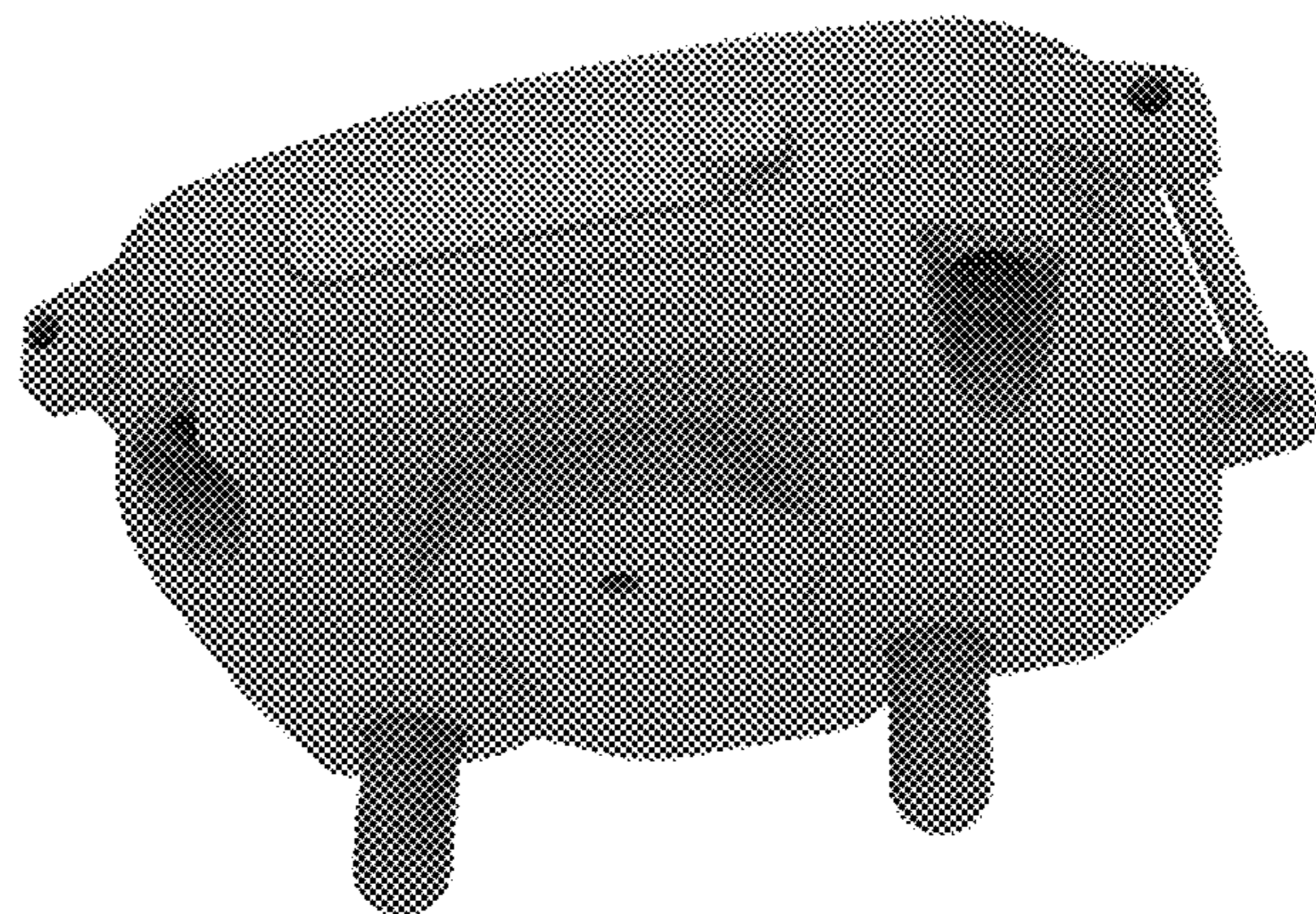
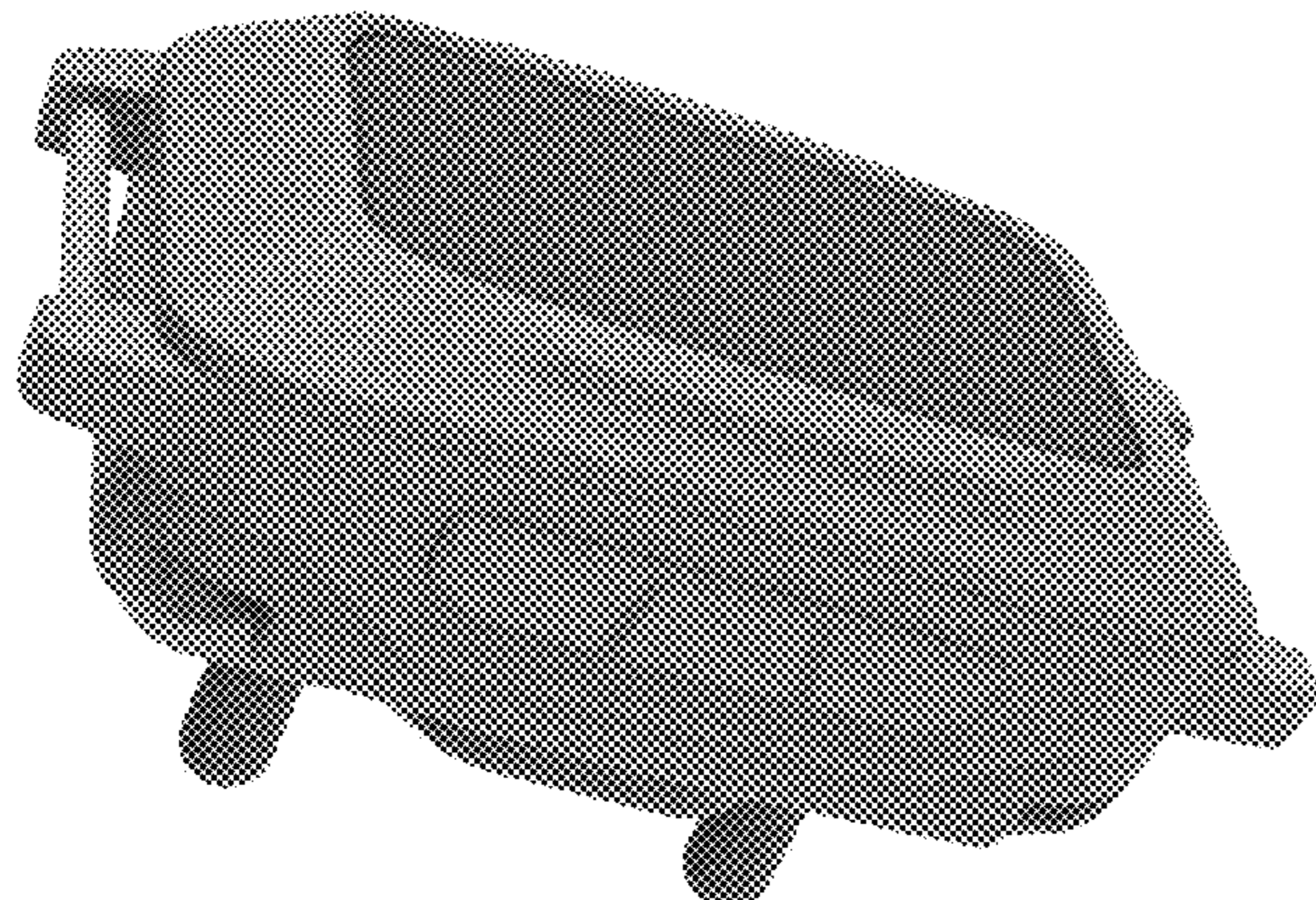
(57) **CLAIM**

The ornamental design for a bark control collar, as shown and described.

**DESCRIPTION**

FIG. 1 is a front elevational view of a bark control collar showing my new design;  
FIG. 2 is a rear elevational view thereof;  
FIG. 3 is a left side view thereof;  
FIG. 4 is a right side view thereof;  
FIG. 5 is a top plan view thereof;  
FIG. 6 is a bottom plan view thereof;  
FIG. 7 is a front, top and right side perspective view thereof;  
FIG. 8 is a rear, bottom and right side perspective view thereof; and,  
FIG. 9 is a rear, top and left side perspective view thereof.

**1 Claim, 9 Drawing Sheets**



(56)

**References Cited**

U.S. PATENT DOCUMENTS

D925,141 S \* 7/2021 Lai ..... D30/199  
D925,143 S \* 7/2021 Jia ..... D30/199  
D926,396 S \* 7/2021 Jia ..... D30/199  
D929,051 S \* 8/2021 Li ..... D30/199  
2014/0261233 A1\* 9/2014 So ..... A01K 27/009  
119/720

OTHER PUBLICATIONS

“PetSafe Smart Dog Training Collar” available Aug. 31, 2016, [online], [site visited Nov. 16, 2021], Retrieved from Internet, URL:[https://www.amazon.com/PetSafe-Smart-Bluetooth-Training-Collar/dp/B01K73MUTI/ref=sr\\_1\\_232](https://www.amazon.com/PetSafe-Smart-Bluetooth-Training-Collar/dp/B01K73MUTI/ref=sr_1_232) (Year: 2016).\*

\* cited by examiner



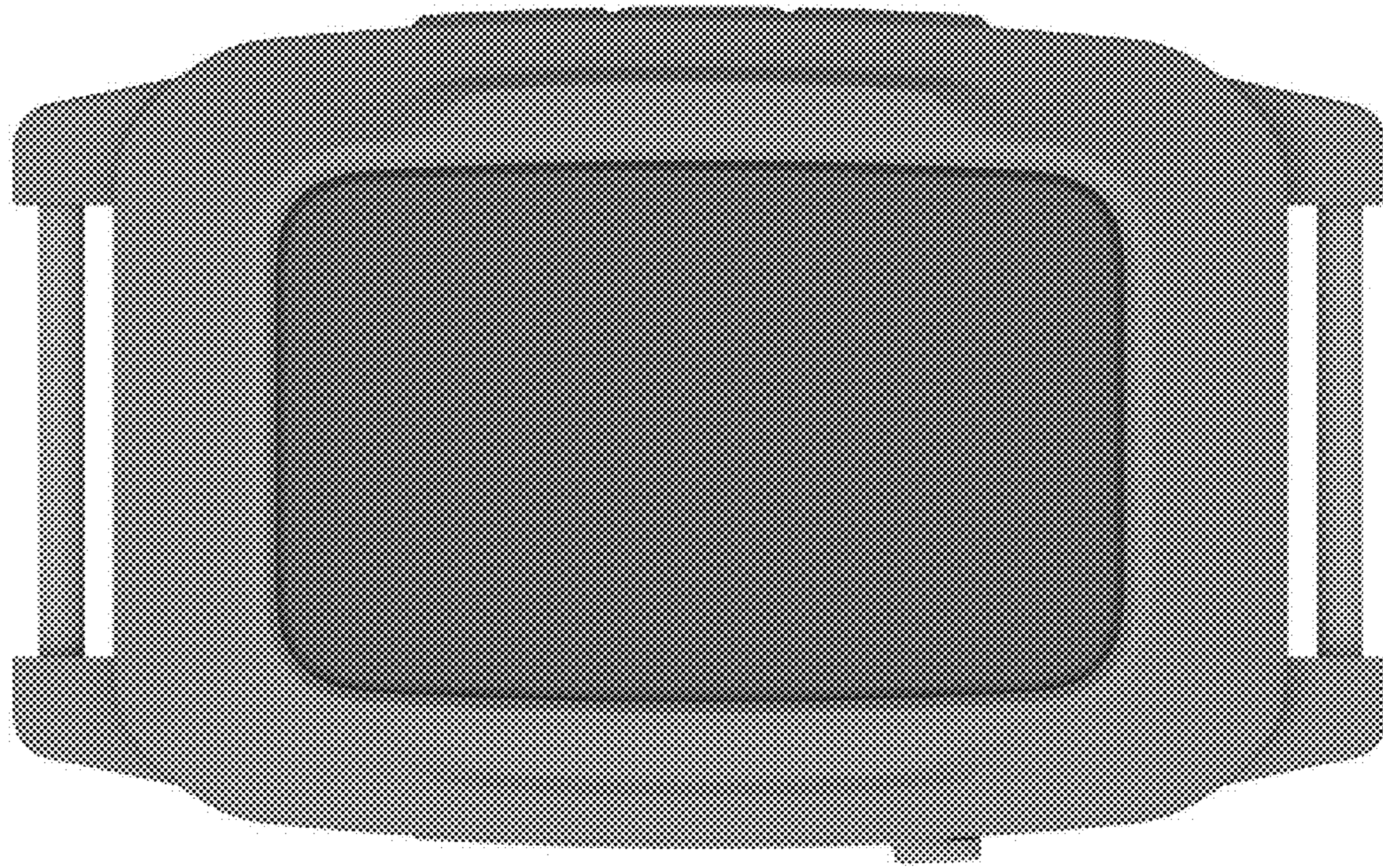


Fig. 1



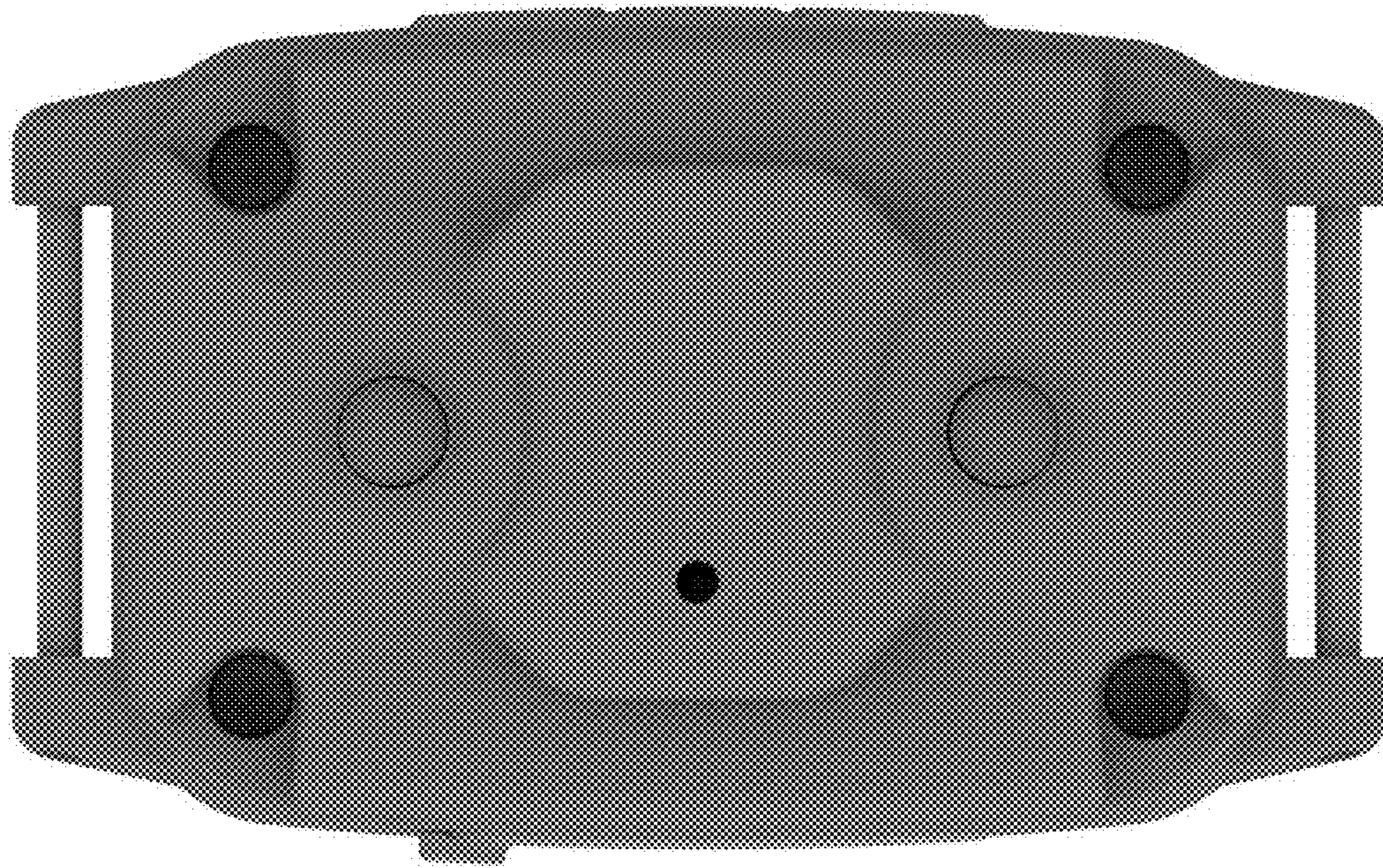


Fig. 2

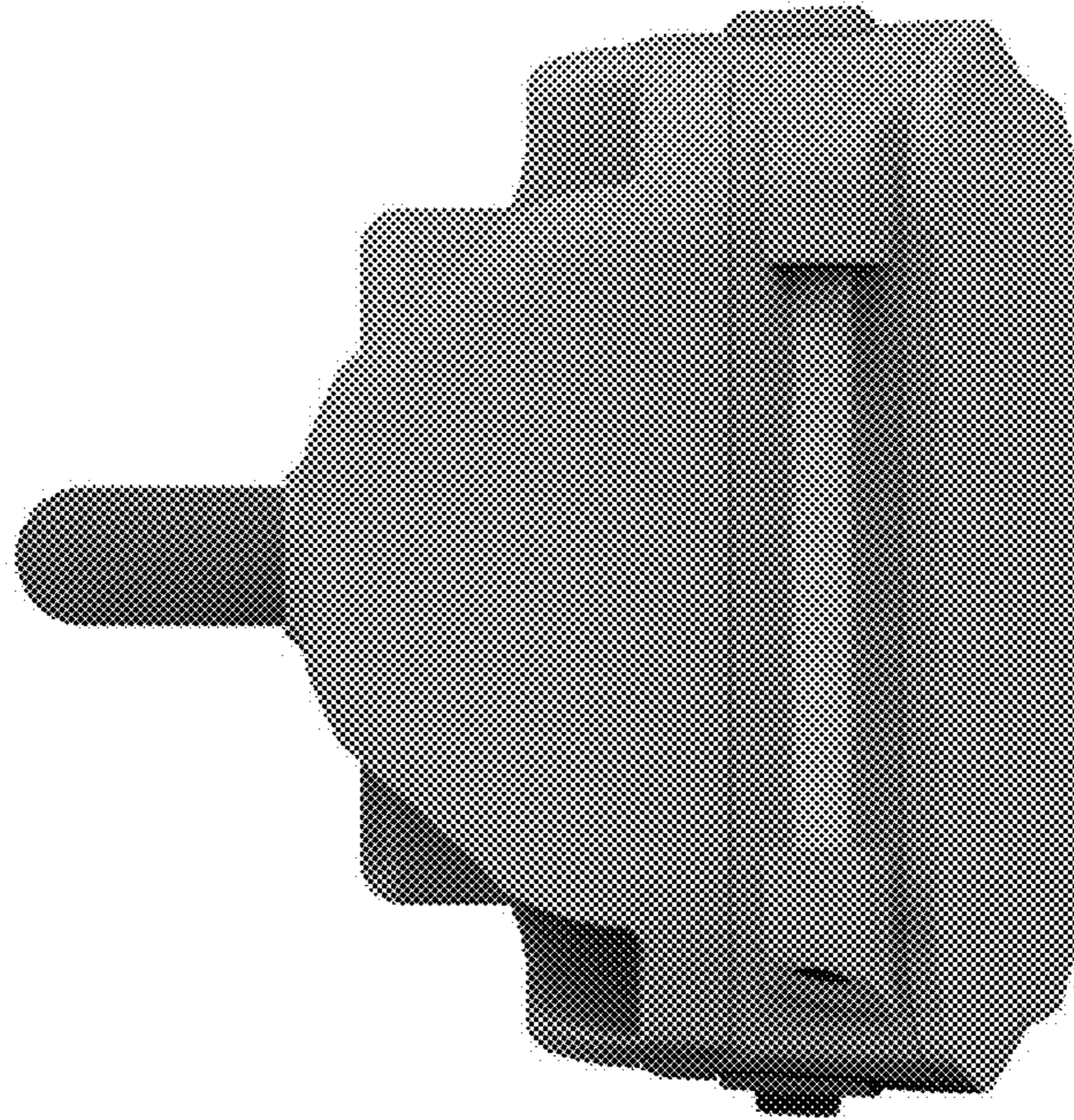


Fig. 3



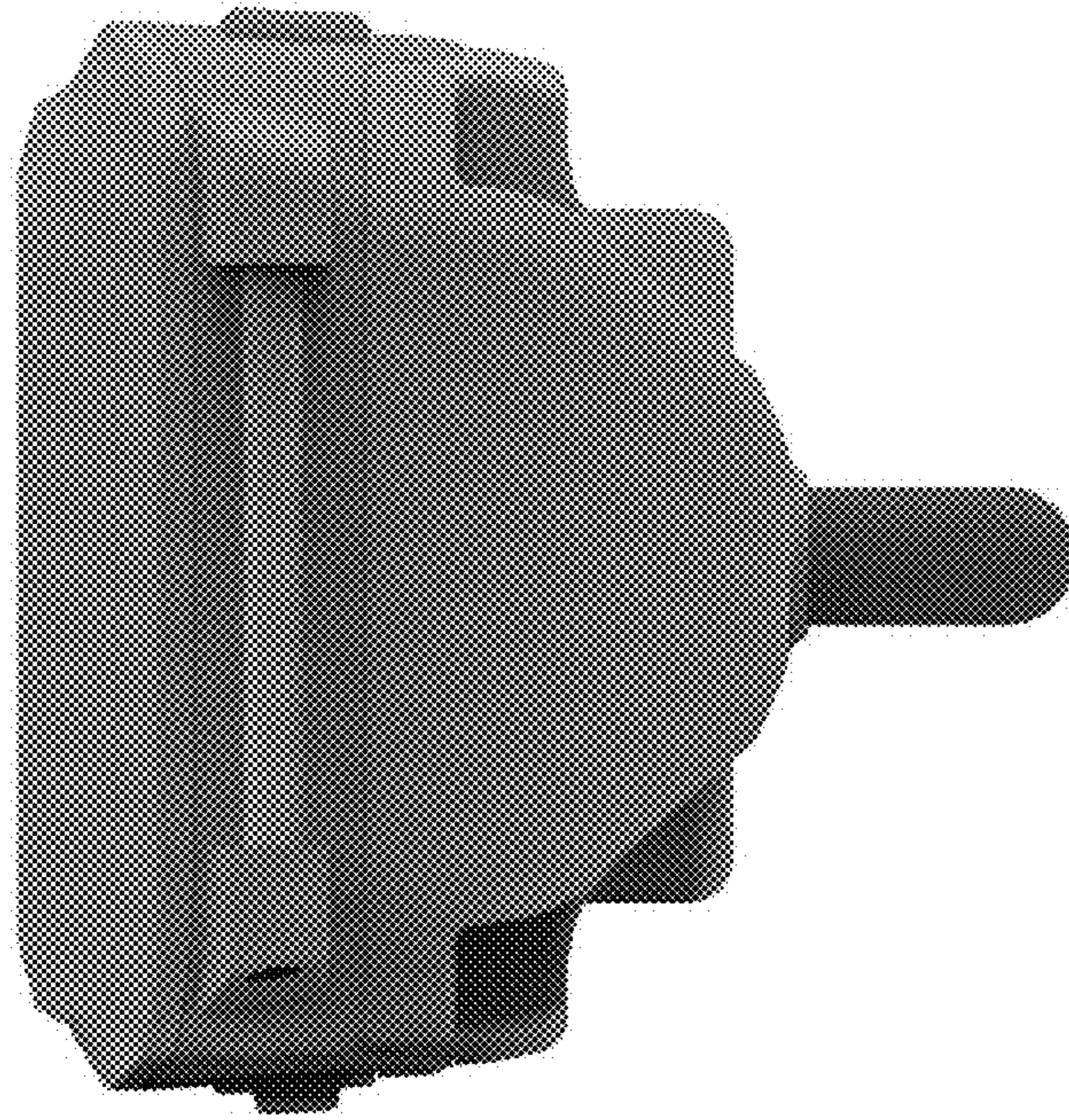


Fig. 4

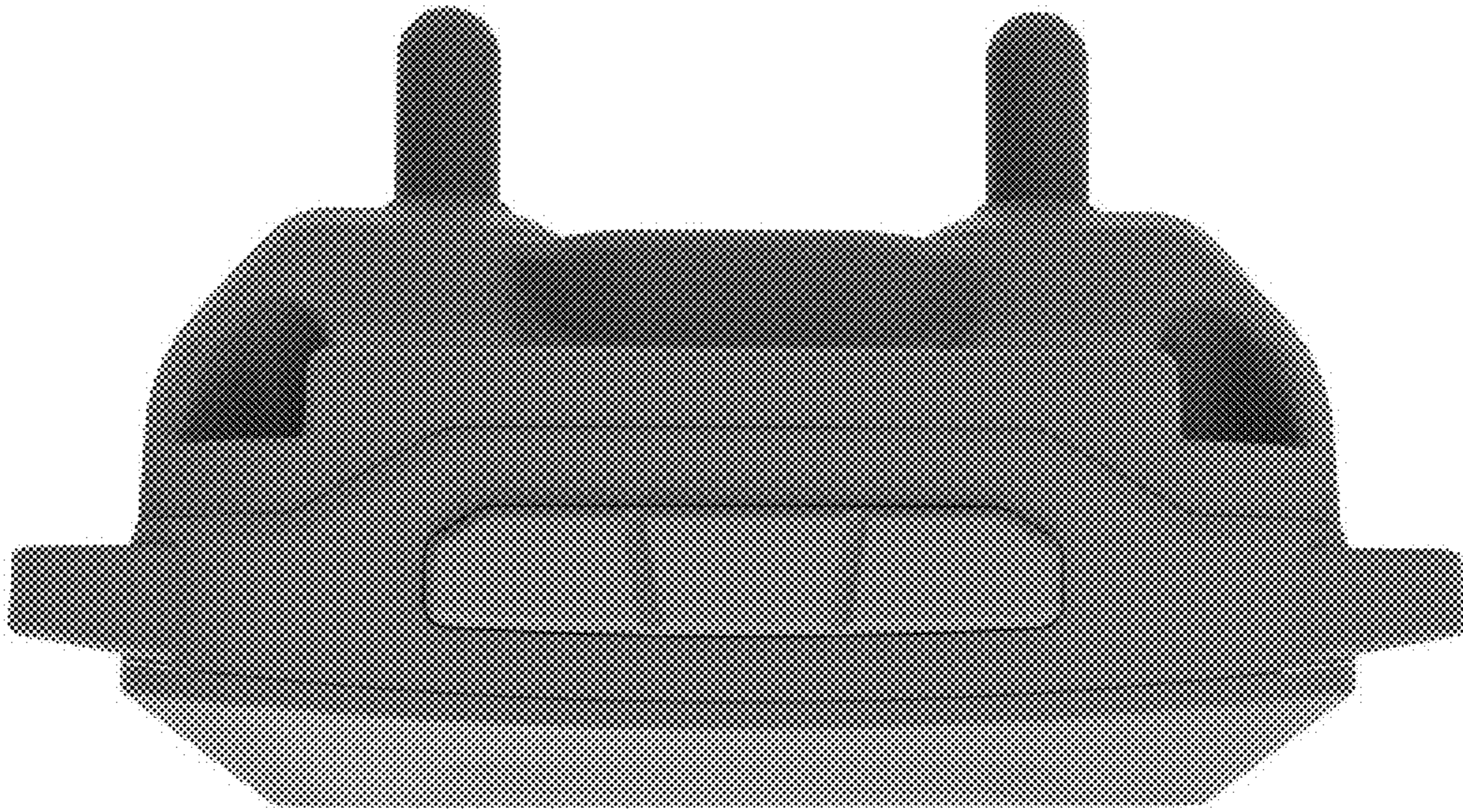


Fig. 5

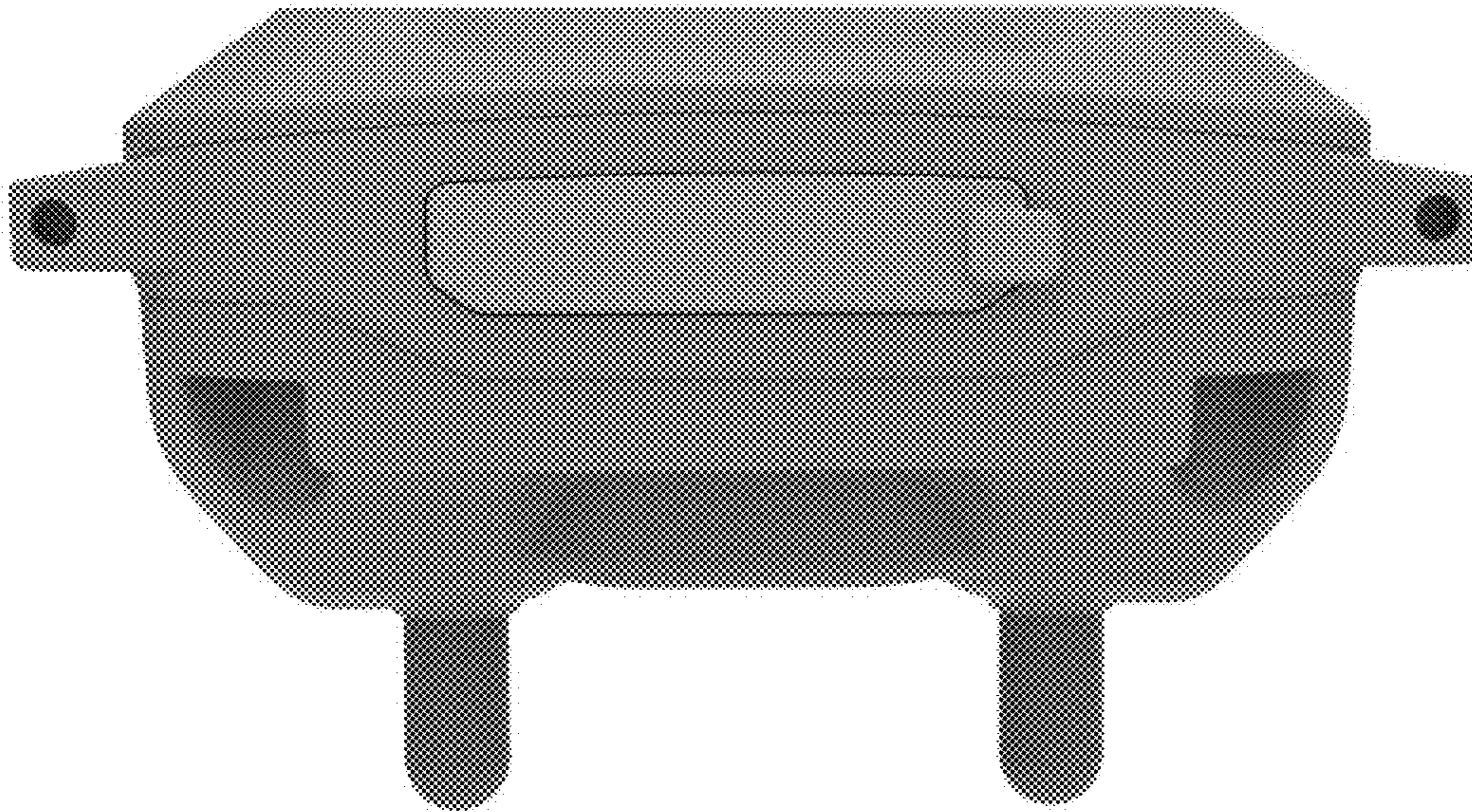


Fig. 6



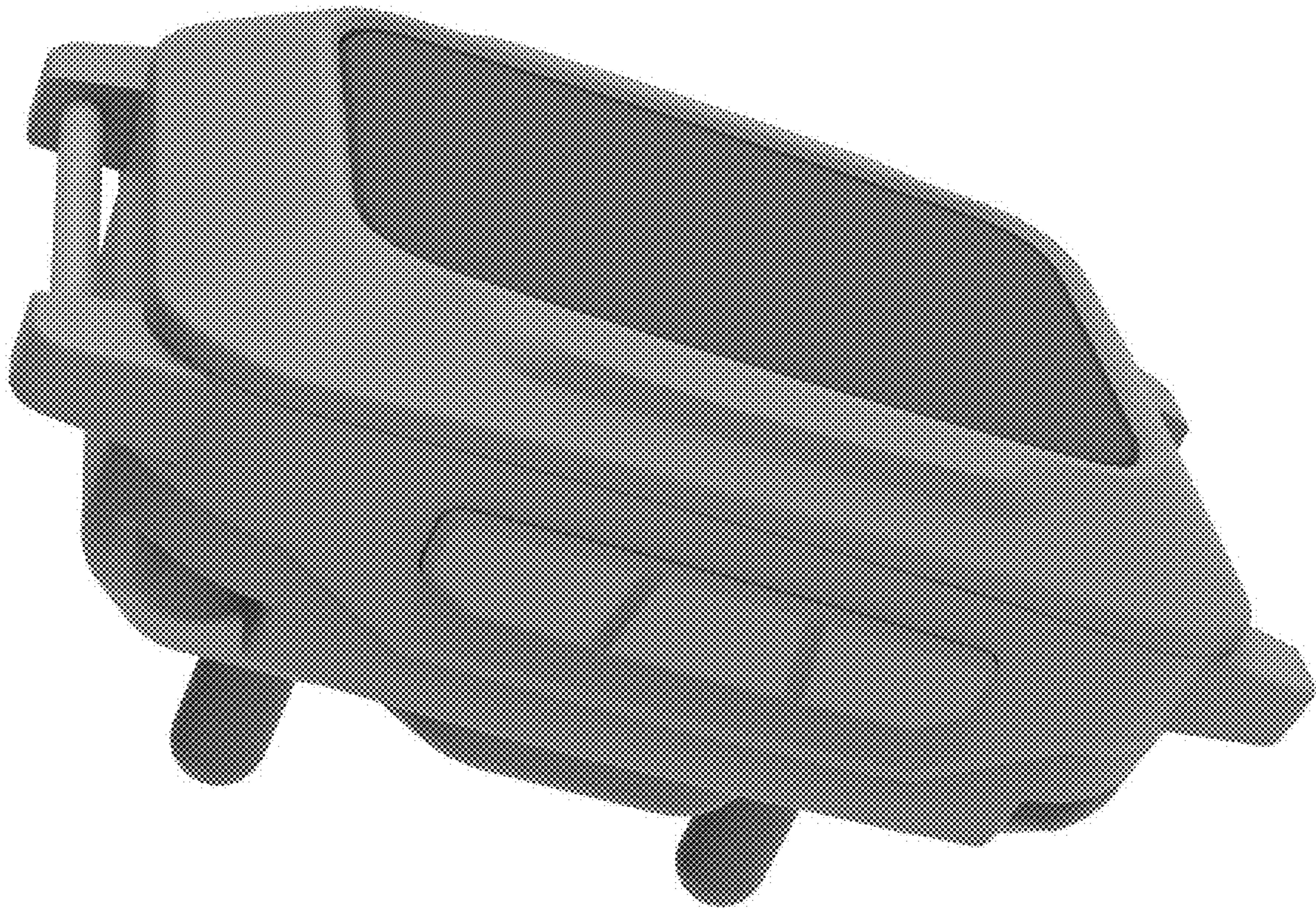


Fig. 7



Fig. 8





Fig. 9