



US00D944469S

(12) **United States Design Patent** (10) **Patent No.:** **US D944,469 S**
Tanner (45) **Date of Patent:** **** Feb. 22, 2022**

(54) **ANIMAL WASTE COLLECTION AND STORAGE SYSTEM**

(71) Applicant: **Trae Tanner**, Calgary (CA)

(72) Inventor: **Trae Tanner**, Calgary (CA)

(**) Term: **15 Years**

(21) Appl. No.: **29/775,493**

(22) Filed: **Mar. 23, 2021**

Related U.S. Application Data

(63) Continuation of application No. 16/792,859, filed on Feb. 17, 2020, which is a continuation-in-part of application No. 16/281,361, filed on Feb. 21, 2019.

(51) **LOC (13) Cl.** **30-99**

(52) **U.S. Cl.**

USPC **D30/161**; D30/153

(58) **Field of Classification Search**

USPC D30/161, 162, 151-154, 199; 119/792-798, 758, 760, 769, 770, 712, 119/784, 802, 856, 857, 863, 865, 858; 54/71; 30/39; 242/397, 615.3, 382, 242/384.7, 396.1, 385, 385.2, 385.4, 242/381.5, 381.6; D26/38; 254/134.3 FT; D8/358, 359; 473/576; 294/1.3-1.5, 214; 43/7-12

CPC A01K 23/00; A01K 23/005; A01K 1/01; E01H 1/1206; E01H 1/1213; E01H 1/12; E01H 2001/122; E01H 2001/1226; E01H 2001/1233; E01H 2001/128; E01H 2001/1286; E01H 2001/1293; E01H 2001/1273; E01H 2001/126; F16L 3/04; B26B 1/00; B26B 1/002; B26B 1/008;

(Continued)

(56) **References Cited**

U.S. PATENT DOCUMENTS

4,738,385 A * 4/1988 Bell A47K 10/40
225/106
5,441,017 A * 8/1995 Lindsay A01K 27/003
119/161

(Continued)

FOREIGN PATENT DOCUMENTS

CA 2323174 A1 4/2002
CA 2344330 A1 1/2007
WO 2010135821 A1 12/2010

OTHER PUBLICATIONS

Trae Tanner, Animal Waste Collection and Storage System, U.S. Appl. No. 16/281,361, filed Feb. 21, 2019.

(Continued)

Primary Examiner — Susan Moon Lee

(74) *Attorney, Agent, or Firm* — David Guerra

(57) **CLAIM**

The ornamental design for an animal waste collection and storage system, as shown and described.

DESCRIPTION

FIG. 1 is a front-right side perspective view of an animal waste collection and storage system constructed in accordance with the new design.

FIG. 2 is a rear-right side perspective view of the animal waste collection and storage system constructed in accordance with the new design.

FIG. 3 is a left side elevational view thereof.

FIG. 4 is a right side elevational view thereof.

FIG. 5 is a front elevational view thereof.

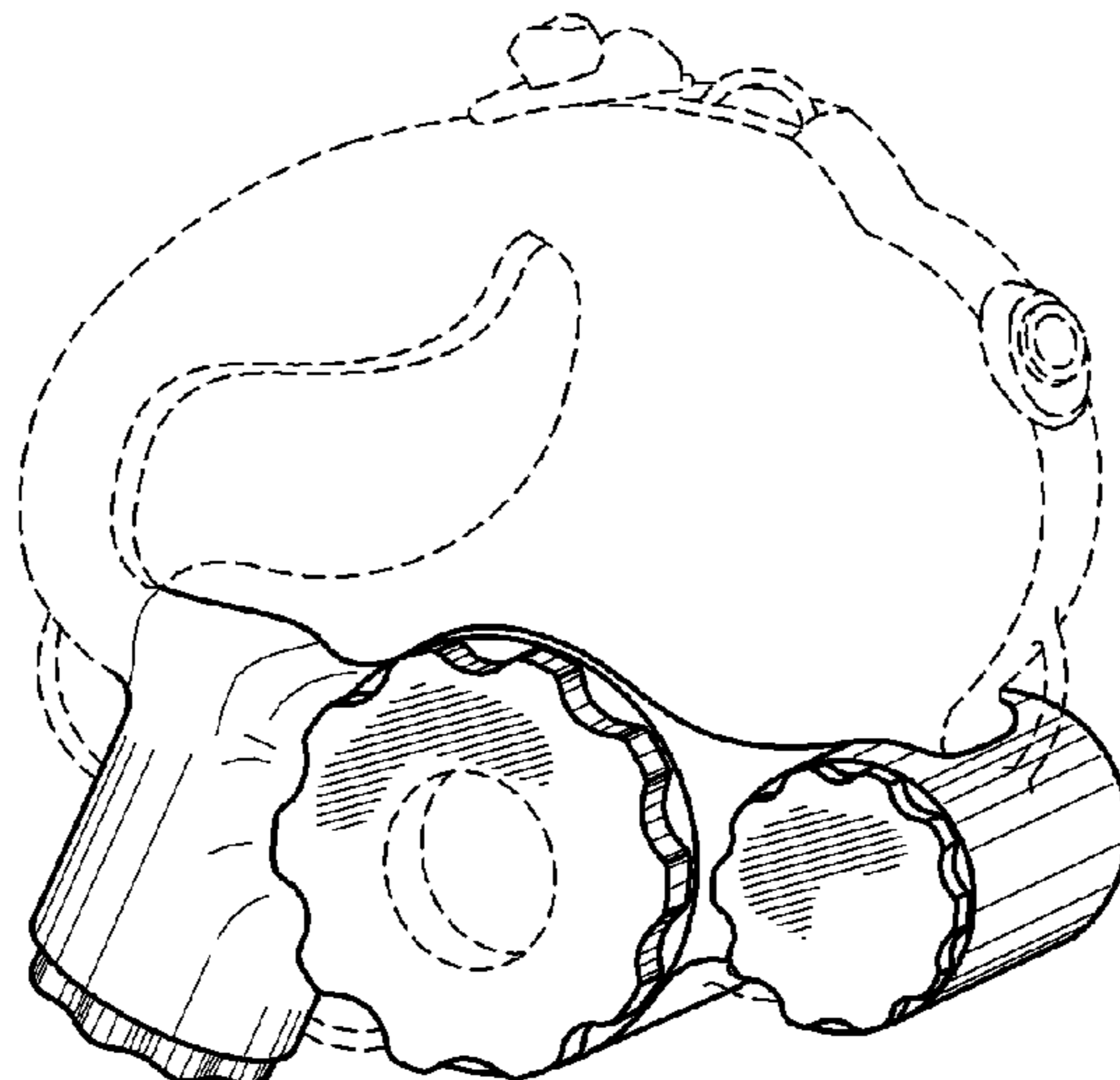
FIG. 6 is a rear elevational view thereof.

FIG. 7 is a top plane view thereof; and,

FIG. 8 is a bottom plane view thereof.

The broken lines in FIGS. 1-8 illustrate portions of the animal waste collection and storage system and form no part of the claimed design.

1 Claim, 4 Drawing Sheets



US D944,469 S

(58) **Field of Classification Search**
 CPC B26B 1/02; B26B 1/04; B26B 1/06; B26B
 1/14; B26B 1/142; B26B 1/16; B26B
 1/22; B26B 3/00; B26B 5/00
 See application file for complete search history.

(56) **References Cited**

U.S. PATENT DOCUMENTS

5,680,978 A * 10/1997 Pinion B65D 85/672
 220/230
 D392,429 S 3/1998 Plewa et al.
 5,819,984 A * 10/1998 Krueger B65D 39/0041
 222/181.2
 D402,426 S * 12/1998 Levine D30/153
 6,019,067 A * 2/2000 Carey A01K 27/006
 119/795
 6,024,054 A * 2/2000 Matt A01K 27/004
 119/796
 6,223,695 B1 * 5/2001 Edwards A01K 27/004
 119/795
 6,240,881 B1 * 6/2001 Edwards A01K 27/004
 119/795
 D464,179 S * 10/2002 Petersen D30/153
 D480,901 S * 10/2003 Millington D6/518
 D502,622 S * 3/2005 Berger D6/515
 7,194,982 B2 * 3/2007 Edwards A01K 27/004
 119/796
 7,367,286 B2 * 5/2008 Beaupre A01K 27/004
 119/795
 7,410,197 B2 * 8/2008 Edwards A01K 27/006
 294/1.3
 D576,433 S * 9/2008 Che D30/153
 D610,752 S 2/2010 Roediger
 D622,454 S * 8/2010 Levy D30/153
 7,789,042 B1 * 9/2010 Dinon A01K 7/00
 119/61.5
 7,850,039 B1 * 12/2010 Tsengas E01H 1/1206
 221/45
 D635,725 S * 4/2011 Levy D30/153
 D651,768 S 1/2012 Bogdahn
 8,100,445 B1 * 1/2012 Brar A01K 27/008
 294/1.3
 D654,739 S * 2/2012 Chin D6/518
 D657,174 S * 4/2012 Yatscoff D6/518
 8,256,379 B2 9/2012 Rabello
 8,256,384 B2 * 9/2012 Wheeler A01K 27/008
 119/795
 D670,871 S * 11/2012 Desberg D30/153
 8,418,659 B2 * 4/2013 Harruna A01K 27/004
 119/796
 D685,144 S * 6/2013 Etheredge D30/153
 D685,957 S * 7/2013 Schiffman D30/153
 8,522,727 B2 * 9/2013 McBounds A01K 27/008
 119/796
 8,573,160 B1 * 11/2013 Knight A01K 27/004
 119/796
 8,720,384 B2 * 5/2014 Gee A01K 23/005
 119/795
 8,720,385 B2 5/2014 Tanner
 D711,054 S 8/2014 Schmidt
 8,925,495 B1 * 1/2015 Lee A01K 27/004
 119/796
 D725,845 S * 3/2015 Goldy D30/153
 D727,577 S * 4/2015 Lanich D30/153
 9,010,279 B1 * 4/2015 Saber A01K 27/003
 119/795
 D729,990 S * 5/2015 Taylor D30/153

D732,753 S * 6/2015 O'Brien D30/153
 9,155,287 B2 * 10/2015 Messner A01K 27/004
 9,232,772 B1 1/2016 Majcen et al.
 D748,870 S * 2/2016 O'Brien D30/153
 D762,018 S * 7/2016 Schmidt D30/153
 D778,083 S * 2/2017 Abbott D6/518
 10,408,257 B2 * 9/2019 Onthank F16G 15/08
 10,455,813 B2 * 10/2019 Onthank A01K 27/003
 10,582,700 B2 * 3/2020 Vilarde A01K 27/004
 D925,841 S * 7/2021 Zhou D30/153
 D928,425 S * 8/2021 He D30/153
 2002/0092864 A1 * 7/2002 Small H04R 1/42
 222/79
 2003/0037733 A1 * 2/2003 Benedettini A01K 27/006
 119/795
 2003/0154931 A1 8/2003 Ostrowiecki
 2004/0189026 A1 * 9/2004 Denham E01H 1/1206
 294/1.3
 2006/0162675 A1 * 7/2006 Ghalebi A01K 27/004
 119/796
 2006/0219182 A1 10/2006 Rabello
 2006/0231043 A1 10/2006 Galdo
 2007/0187277 A1 8/2007 Furlong
 2007/0204805 A1 9/2007 Brody
 2008/0173257 A1 * 7/2008 Steiner A01K 27/004
 119/796
 2008/0276883 A1 11/2008 Perez Tomas
 2010/0018468 A1 1/2010 Rabello
 2010/0300375 A1 12/2010 Yang
 2011/0120388 A1 * 5/2011 Shahbaz A01K 27/006
 119/796
 2011/0139090 A1 * 6/2011 Harruna A01K 27/006
 119/796
 2011/0180016 A1 * 7/2011 Wheeler A01K 27/008
 119/795
 2011/0197820 A1 * 8/2011 Goldy A01K 27/006
 119/61.5
 2012/0006284 A1 * 1/2012 Messner A01K 27/008
 119/796
 2012/0137978 A1 6/2012 McBounds
 2012/0222630 A1 * 9/2012 Catena A01K 27/004
 119/796
 2013/0098308 A1 4/2013 Tanner
 2014/0131377 A1 5/2014 Rogers
 2016/0219838 A1 8/2016 Flaig
 2017/0071163 A1 * 3/2017 Glasser A01K 7/00
 2017/0079246 A1 * 3/2017 Holmstrom A01K 27/008
 2017/0258041 A1 * 9/2017 Dadalto A01K 27/008
 2018/0220624 A1 * 8/2018 Bussell A01K 27/008
 2019/0014748 A1 * 1/2019 Jenkins A01K 27/008
 2019/0098873 A1 * 4/2019 Bennett B65D 55/16
 2019/0141958 A1 * 5/2019 Price F41H 9/10
 119/796
 2019/0387715 A1 * 12/2019 Bonds A01K 27/008
 2020/0060237 A1 * 2/2020 Prudhomme A01K 27/004
 2020/0267940 A1 * 8/2020 Tanner A01K 27/008
 2021/0137077 A1 * 5/2021 Cooke A01K 27/004
 2021/0169048 A1 * 6/2021 Haarbuerger A01K 27/008
 2021/0227794 A1 * 7/2021 Benoche A01K 27/008

OTHER PUBLICATIONS

Trae Tanner, Animal Waste Collection and Storage System, U.S.
 Appl. No. 16/792,859, filed Feb. 17, 2020.
 European Search Report, EP20275049, dated Oct. 26, 2020.

* cited by examiner

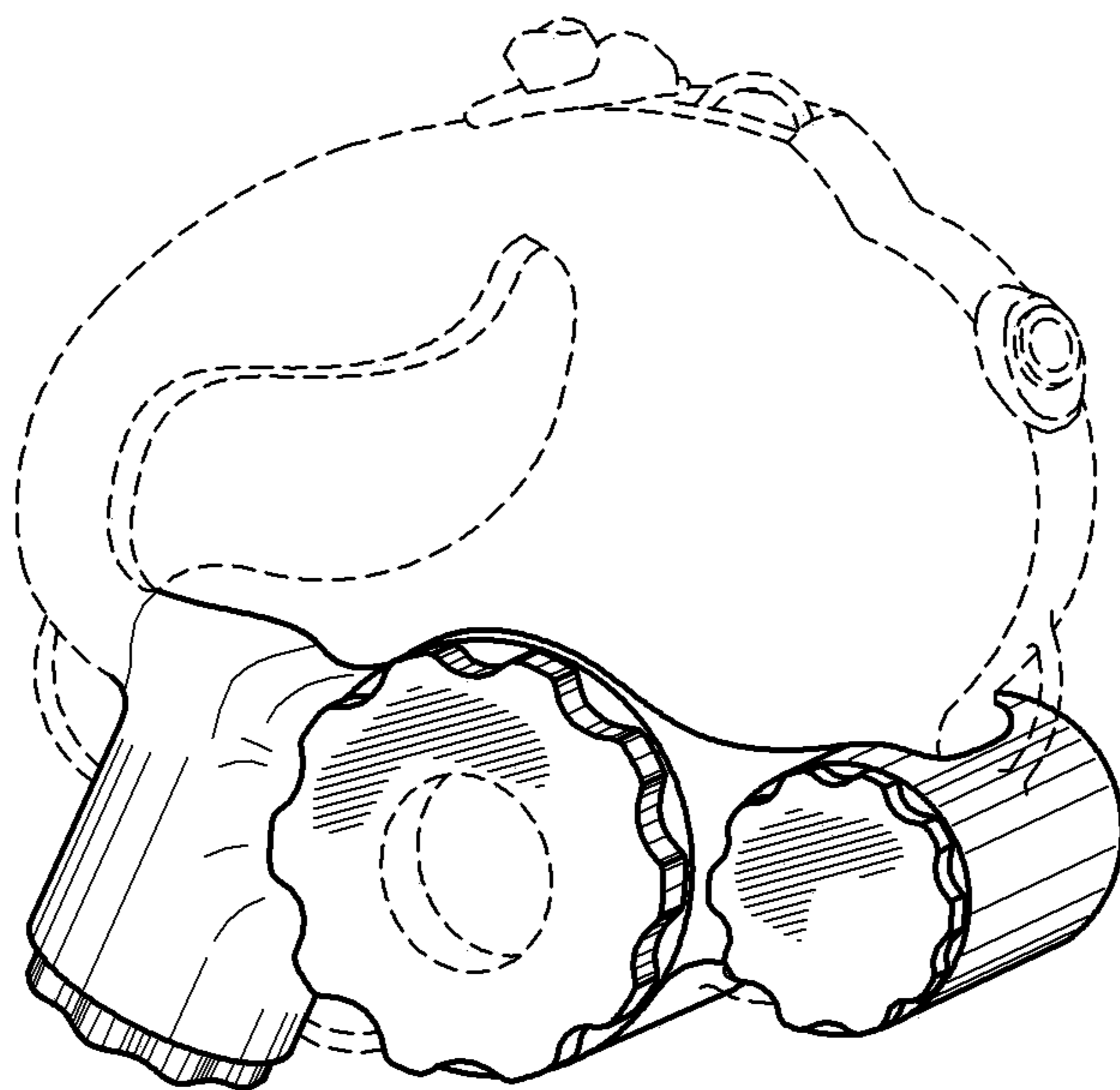


FIG. 1

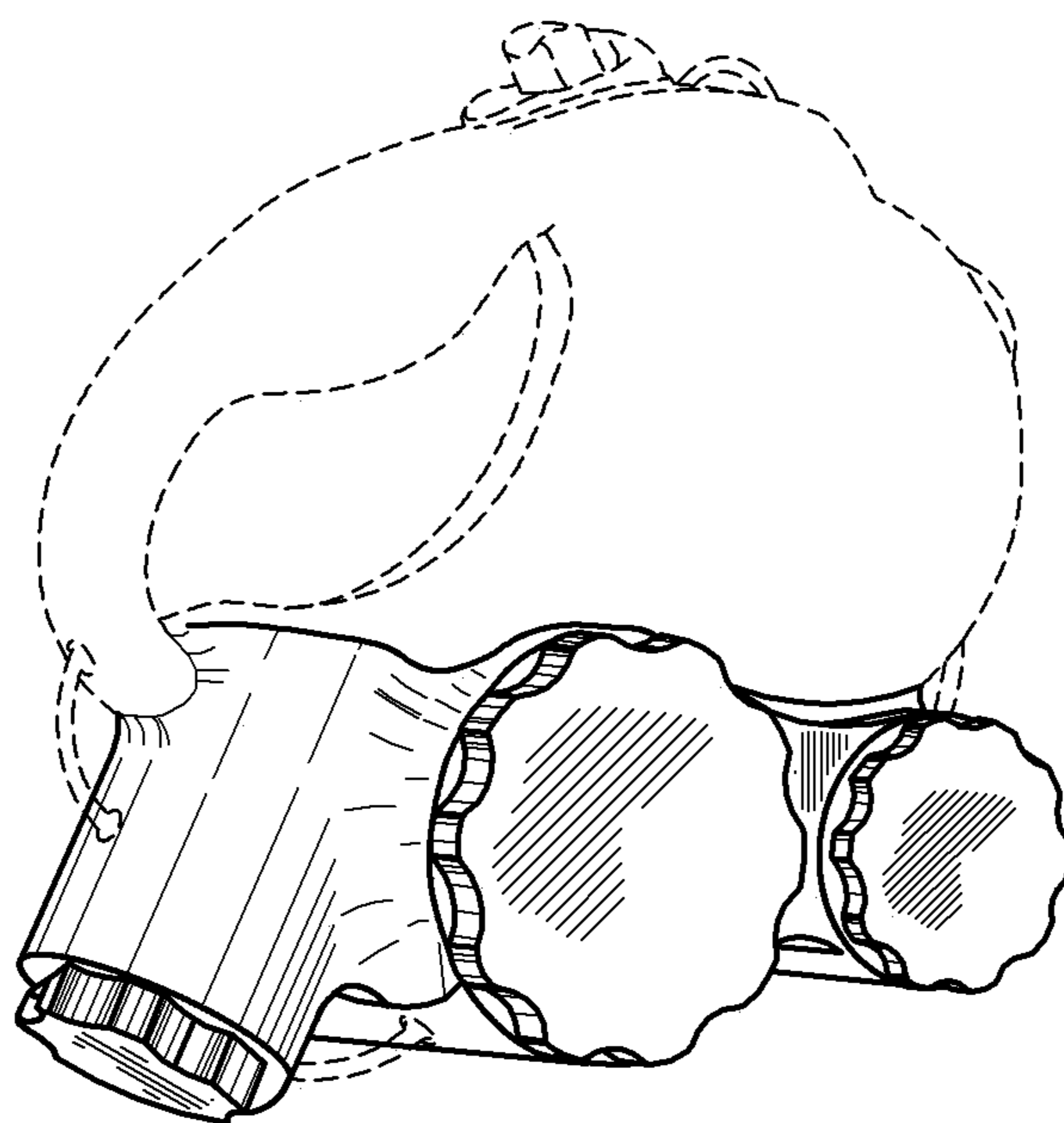


FIG. 2

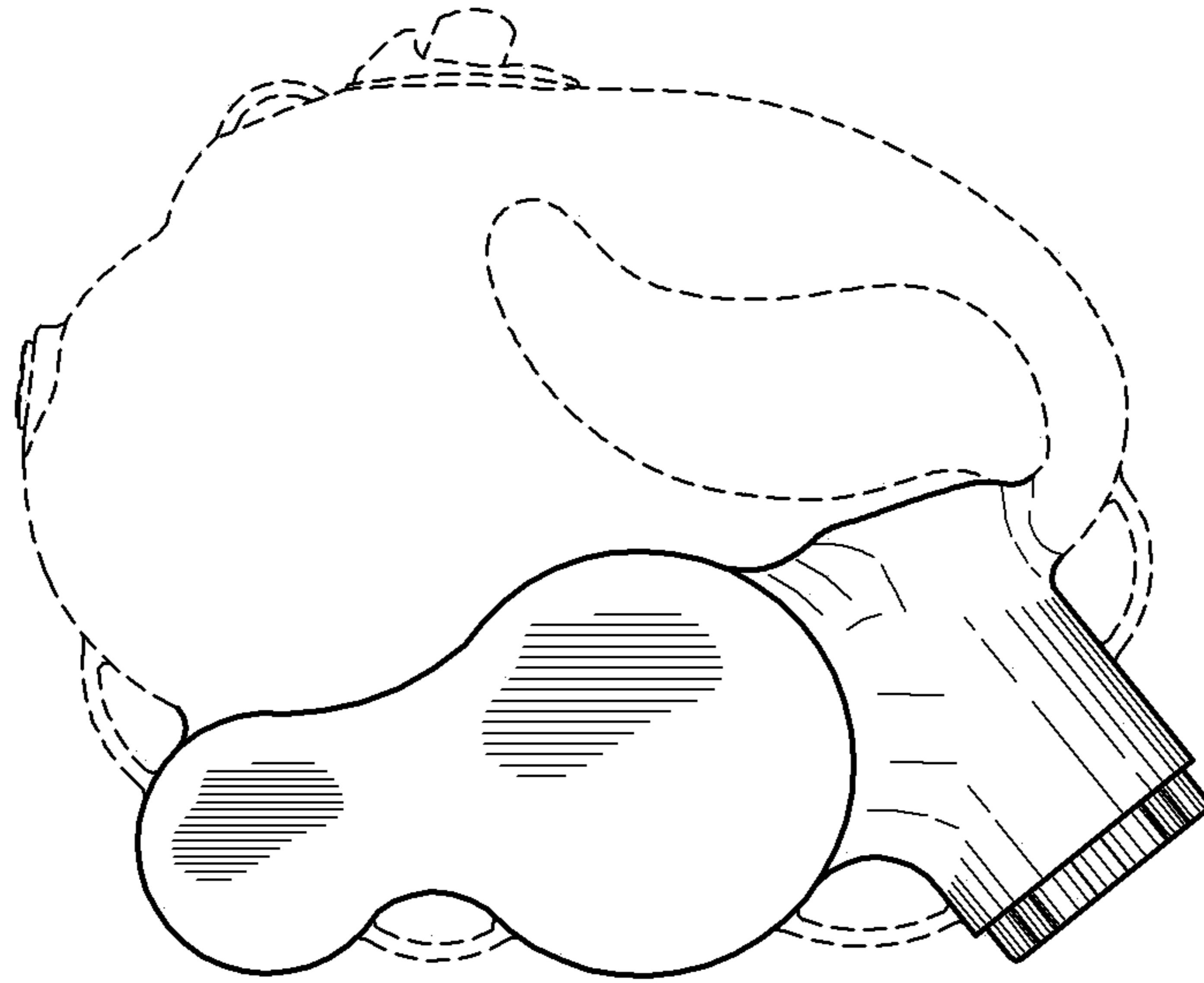


FIG. 3

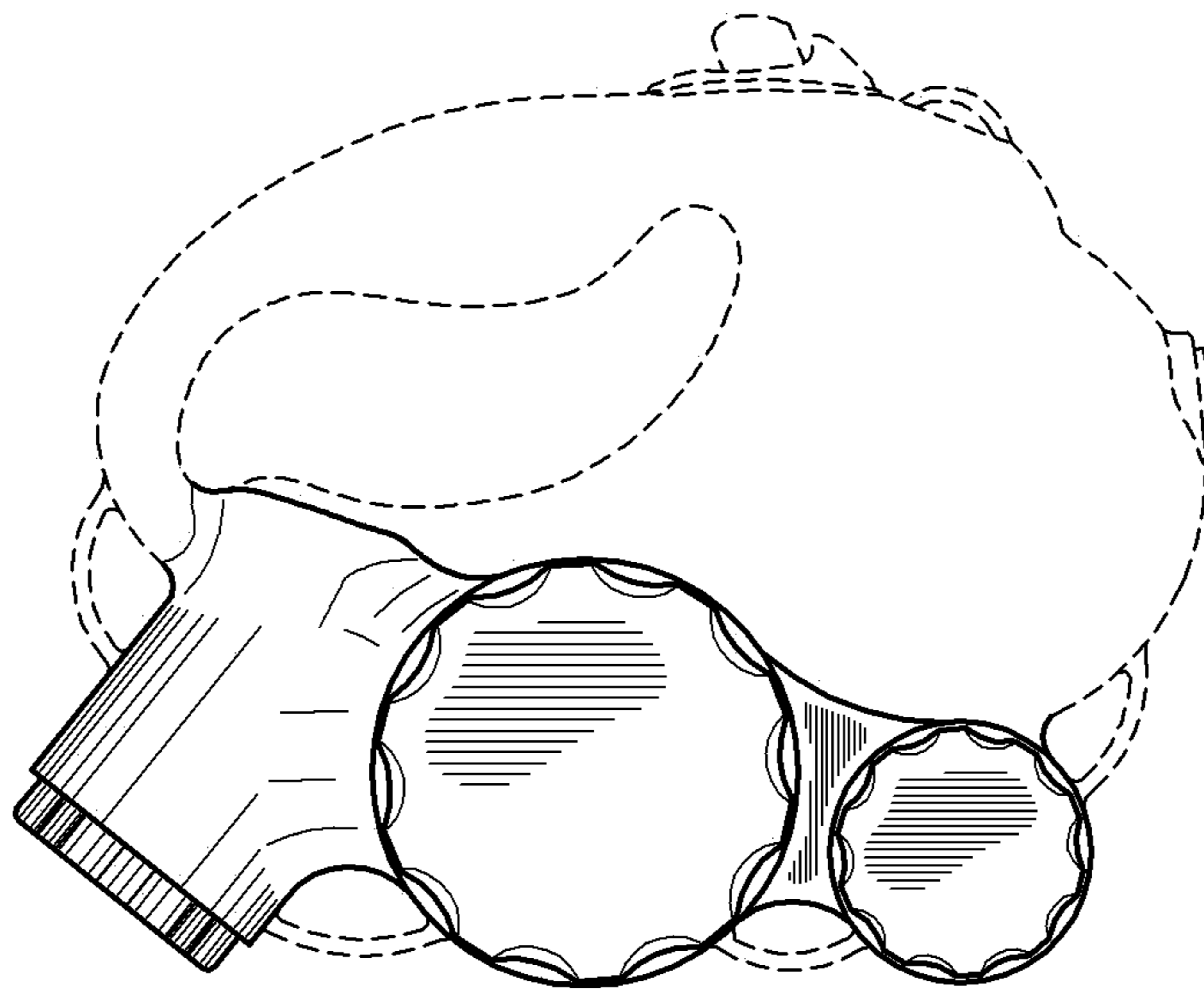


FIG. 4

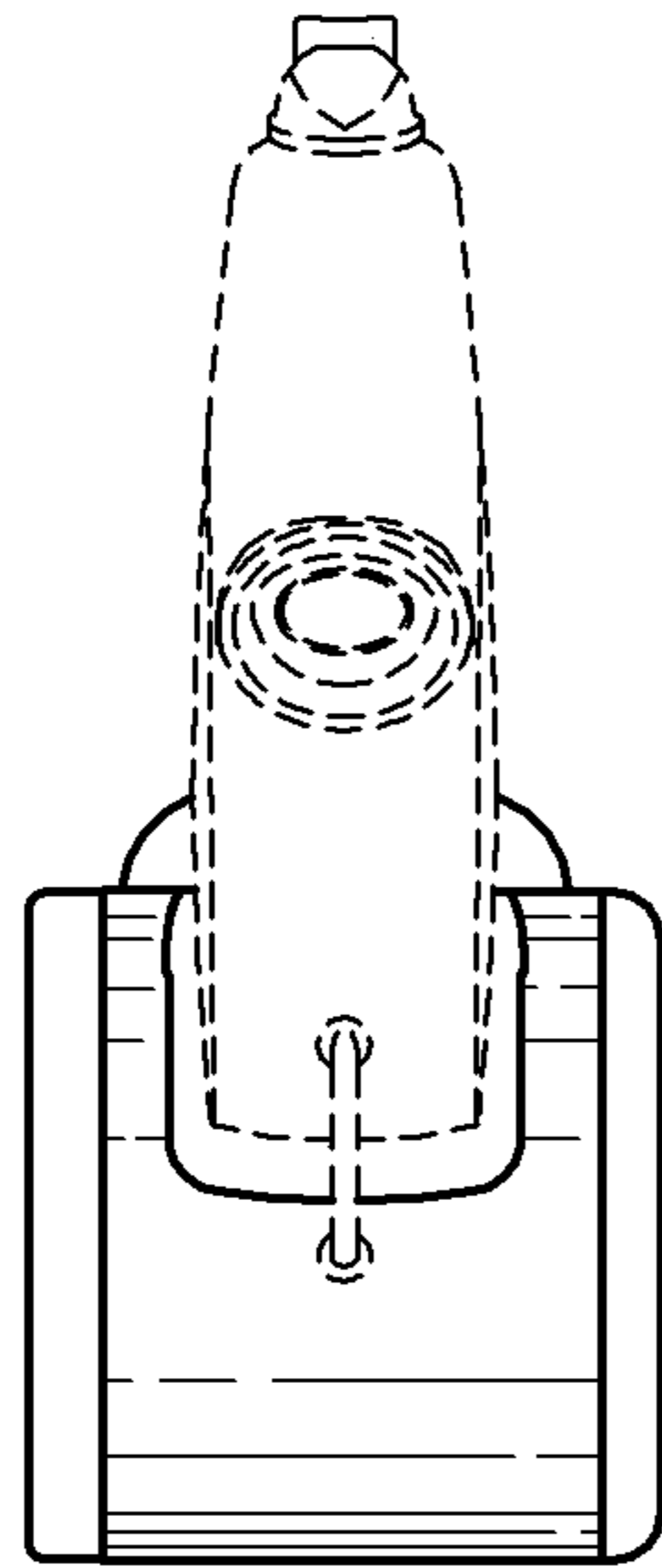


FIG. 5

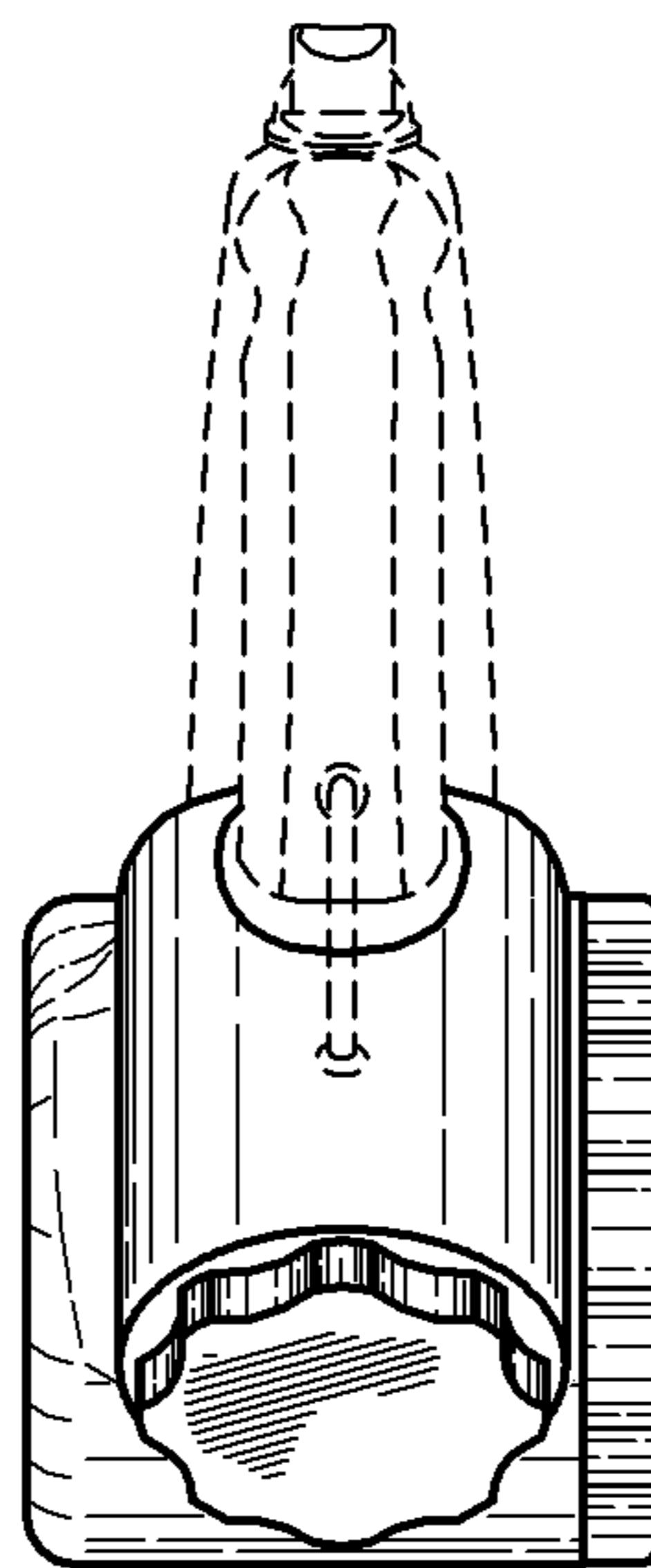


FIG. 6

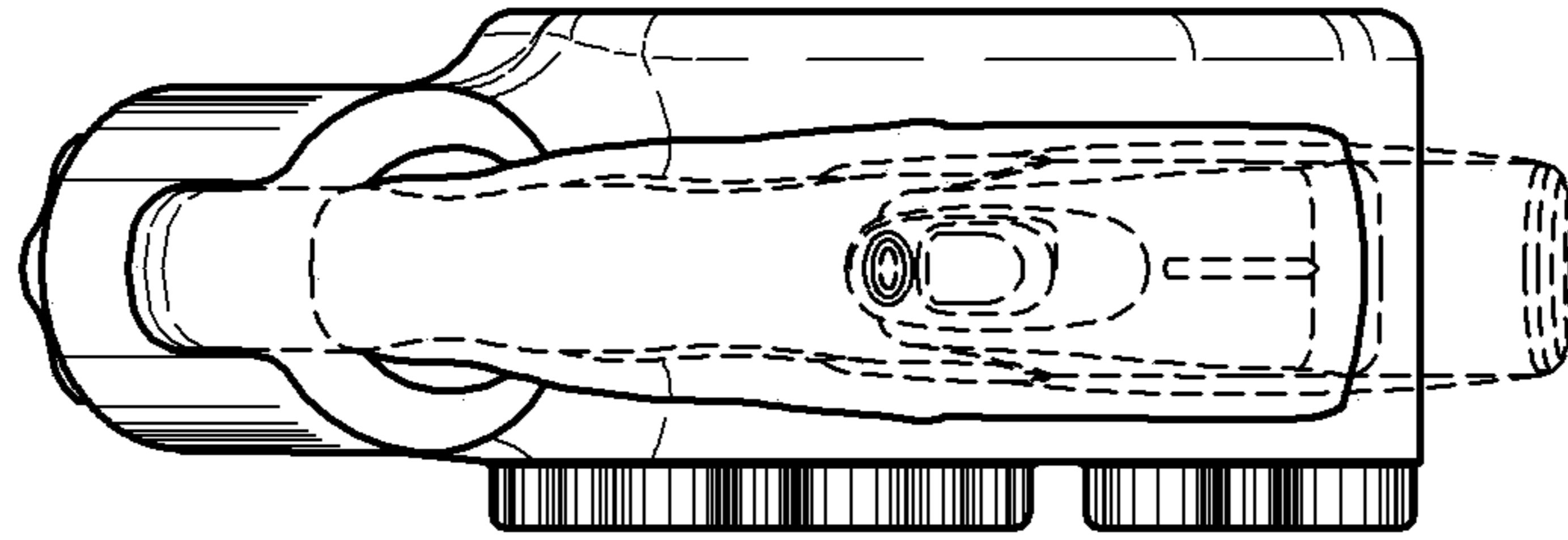


FIG. 7

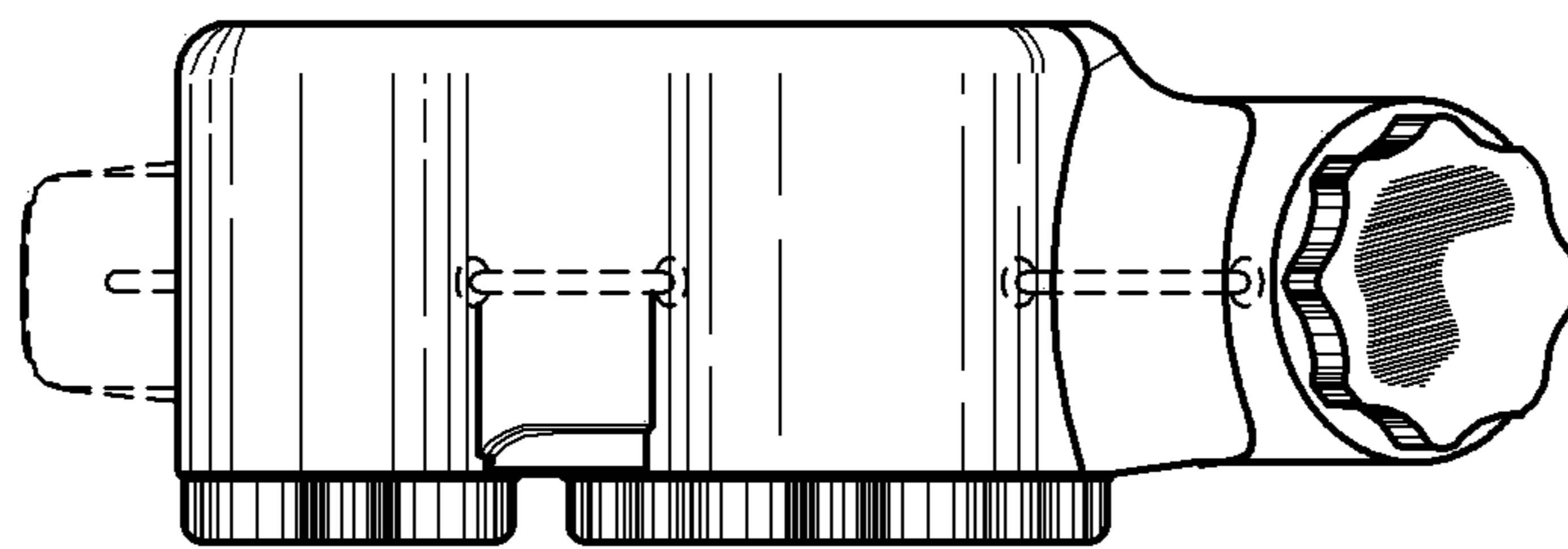


FIG. 8