



US00D944464S

(12) **United States Design Patent**
Yan et al.

(10) **Patent No.:** **US D944,464 S**
(45) **Date of Patent:** **** Feb. 22, 2022**

- (54) **DRINKING CUP FOR PETS**
- (71) Applicant: **Suzhou Shengkang Plastic Electric Co., Ltd., Jiangsu (CN)**
- (72) Inventors: **Yongkang Yan, Jiangsu (CN); Changzhou Yan, Jiangsu (CN)**
- (73) Assignee: **SUZHOU SHENGLANG PLASTIC ELECTRIC CO., LTD., Suzhou (CN)**
- (**) Term: **15 Years**
- (21) Appl. No.: **29/718,765**
- (22) Filed: **Dec. 27, 2019**
- (30) **Foreign Application Priority Data**
Nov. 14, 2019 (CN) 201930628417.6
- (51) **LOC (13) Cl.** **30-03**
- (52) **U.S. Cl.**
USPC **D30/132; D30/121; D30/129**
- (58) **Field of Classification Search**
USPC D30/121-133; 119/51.01, 61, 51.04, 53, 119/57.91, 54, 53.5, 52.4, 51.11, 63, 61.2, 119/52.1, 57.5, 57.6, 51.13, 62, 75, 500, 119/501, 72, 72.5, 74, 78-81; 239/7, 239/687, 379, 397.5; 222/199, 181.1, 222/181.2, 185.1, 557, 156, 485, 486, 222/548, 555, 207, 205, 424, 438, 48, 222/206, 212, 215, 460, 461, 525, 86, 89; 220/200, 227, 247, 262, 694, 700, 701, 220/703, 660-662, 521, 705, 709, 287, 220/523, 574; 221/174, 185.1, 289, 295, 221/296, 559; 454/35; 209/270, 283, 209/244; 52/194, 192; 49/279, 344, 357; D34/28; D9/417, 414, 424, 428, 436, D9/440, 442, 447, 456, 454, 455, 730, D9/731, 733, 715, 531, 549, 516, 523, D9/530, 538, 541, 544, 559, 719, 716; D7/589, 300, 300.1, 302-305, 312, 316,

D7/317, 507-512, 523, 524, 528, 700, D7/681; D3/132, 201, 203.2, 202, 228, D3/229, 269, 274, 316, 321, 328; D15/143, 199; D28/4, 7, 9; D19/66; 141/343, 331, 340, 384, 330, 332, 383, 141/311 R, 313, 338, 344, 345; 210/455; 215/228, 231, 235, 319-383, 386, DIG. 7,
(Continued)

(56) **References Cited**

U.S. PATENT DOCUMENTS

- 1,488,492 A * 4/1924 Gray A45C 11/20
206/544
- 1,520,964 A * 12/1924 Ostrowski A45C 11/20
206/544

(Continued)

Primary Examiner — Susan Moon Lee

(74) *Attorney, Agent, or Firm* — Wayne IP LLC

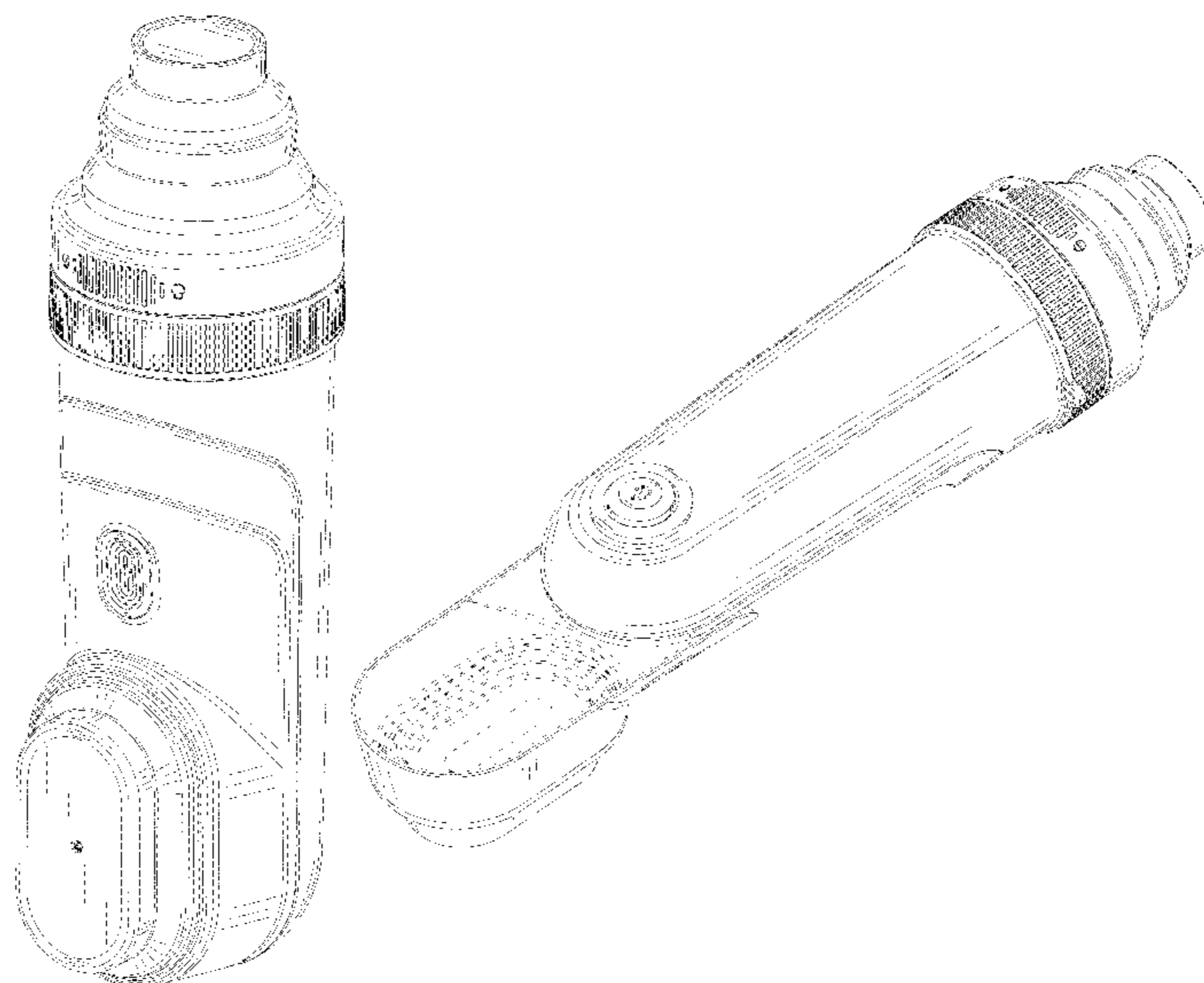
(57) **CLAIM**

The ornamental design for drinking cup for pets, as shown and described.

DESCRIPTION

FIG. 1 is a perspective view of drinking cup for pets showing my new design;
FIG. 2 is another perspective view thereof;
FIG. 3 is a using state diagram thereof;
FIG. 4 is a front elevation view thereof;
FIG. 5 is a back elevation view thereof;
FIG. 6 is a left side view thereof;
FIG. 7 is a right side view thereof;
FIG. 8 is an enlarged top plan view thereof; and,
FIG. 9 is an enlarged bottom plan view thereof.
The broken lines in the drawing depict environmental subject matter only and form no part of the claimed design.

1 Claim, 9 Drawing Sheets



(58) **Field of Classification Search**

USPC 215/388, 6, 316; 4/258, 259, 267;
 206/459.1, 459.5, 501
 CPC . A01K 7/00; A01K 7/005; A01K 7/02; A01K
 7/022; A01K 7/06; A01K 39/0213; A01K
 39/02; B65D 41/26; B65D 41/265; B65D
 41/28; B65D 41/32; B65D 41/325; B65D
 41/34; B65D 41/56; B65D 51/20; B65D
 51/249; B65D 51/24; B65D 51/28; B65D
 47/243; B65D 2205/04; B65D 21/0238;
 B65D 81/3205; B65D 81/3216; B65D
 71/50; B65D 77/2024; B65D 43/0212;
 B65D 2517/0049; B65D 2543/00046;
 B65D 2543/00092; B65D 2543/00537;
 B65D 2543/00731; B65D 2543/00796;
 B65D 2577/205; A61J 9/00; A61J 9/006;
 A61J 9/001; A61J 9/003; A61J 11/04;
 A61J 19/00; B65B 39/00; B65B 39/001;
 B65B 39/005; B65B 39/007; B67C 11/02;
 G01F 11/286; B67B 7/28; A47G 19/2266

See application file for complete search history.

(56) **References Cited**

U.S. PATENT DOCUMENTS

1,744,328 A * 1/1930 Morley A47J 43/27
 215/383
 1,901,534 A * 3/1933 Redfield A45C 11/20
 206/543
 3,978,233 A * 8/1976 Bolt A47J 31/005
 426/115
 5,377,879 A * 1/1995 Isaacs A61J 7/0023
 222/192
 5,441,017 A * 8/1995 Lindsay A01K 27/003
 119/161
 5,636,592 A * 6/1997 Wechsler A01K 7/02
 119/52.1
 D406,062 S * 2/1999 Brewer D9/520
 6,279,233 B1 * 8/2001 Cameron A61J 7/0023
 30/125
 6,293,226 B1 * 9/2001 Hwang A01K 7/06
 119/72
 D580,715 S * 11/2008 Finell D7/643
 D594,353 S * 6/2009 Kortleven D10/46.3

7,562,796 B2 * 7/2009 Zahn A61J 1/067
 215/11.4
 D623,460 S * 9/2010 Krasner D7/300.1
 8,020,303 B1 * 9/2011 Marsh A47G 21/004
 30/324
 D648,177 S * 11/2011 Eyal D7/510
 D654,752 S * 2/2012 Krasner D7/300.1
 D670,134 S * 11/2012 Di Lollo D7/507
 8,371,244 B2 * 2/2013 Krasner A01K 7/00
 119/72.5
 8,402,722 B2 * 3/2013 Buesching A47G 19/2205
 53/420
 D689,332 S * 9/2013 Krasner D7/510
 D724,896 S * 3/2015 Williams D7/511
 D728,169 S * 4/2015 Yacov D30/121
 9,351,475 B2 * 5/2016 Yacov A01K 7/00
 9,505,527 B1 * 11/2016 Campbell A47G 19/2205
 D854,378 S * 7/2019 Breit D7/507
 D861,258 S * 9/2019 Liang D30/132
 D871,839 S * 1/2020 Sun D7/507
 D892,412 S * 8/2020 Guo D30/121
 D917,108 S * 4/2021 Xie D30/132
 D917,794 S * 4/2021 Jin D30/132
 D936,296 S * 11/2021 Chen D30/121
 2004/0006874 A1 * 1/2004 Kamm B65D 51/246
 30/141
 2008/0087224 A1 * 4/2008 Wechsler A01K 7/00
 119/52.1
 2010/0064976 A1 * 3/2010 Keller B65D 47/2018
 119/72
 2010/0313817 A1 * 12/2010 Krasner A01K 7/00
 119/72.5
 2011/0097453 A1 * 4/2011 Buesching B65D 77/0493
 426/120
 2012/0193316 A1 * 8/2012 Starks B65D 81/3205
 215/6
 2012/0298045 A1 * 11/2012 Wechsler A01K 7/00
 119/52.1
 2014/0360434 A1 * 12/2014 Yacov A01K 5/0114
 119/51.5
 2015/0298867 A1 * 10/2015 Sanderson A47G 19/2266
 215/6
 2017/0127859 A1 * 5/2017 Hornung A45F 3/18
 2017/0327263 A1 * 11/2017 Haar B65D 41/04
 2018/0228280 A1 * 8/2018 Li A47B 23/06
 2019/0216052 A1 * 7/2019 Yang A01K 7/00
 2021/0068367 A1 * 3/2021 Gong A01K 7/00
 2021/0235665 A1 * 8/2021 Brown A45F 3/18

* cited by examiner

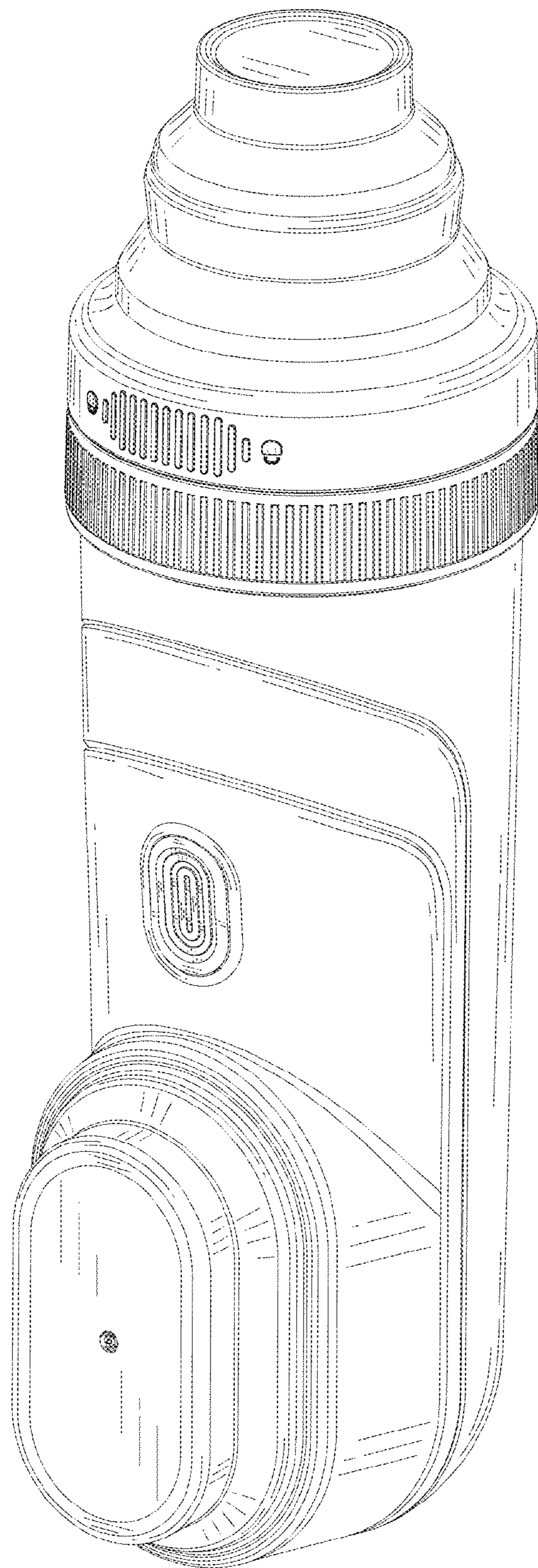


FIG. 1

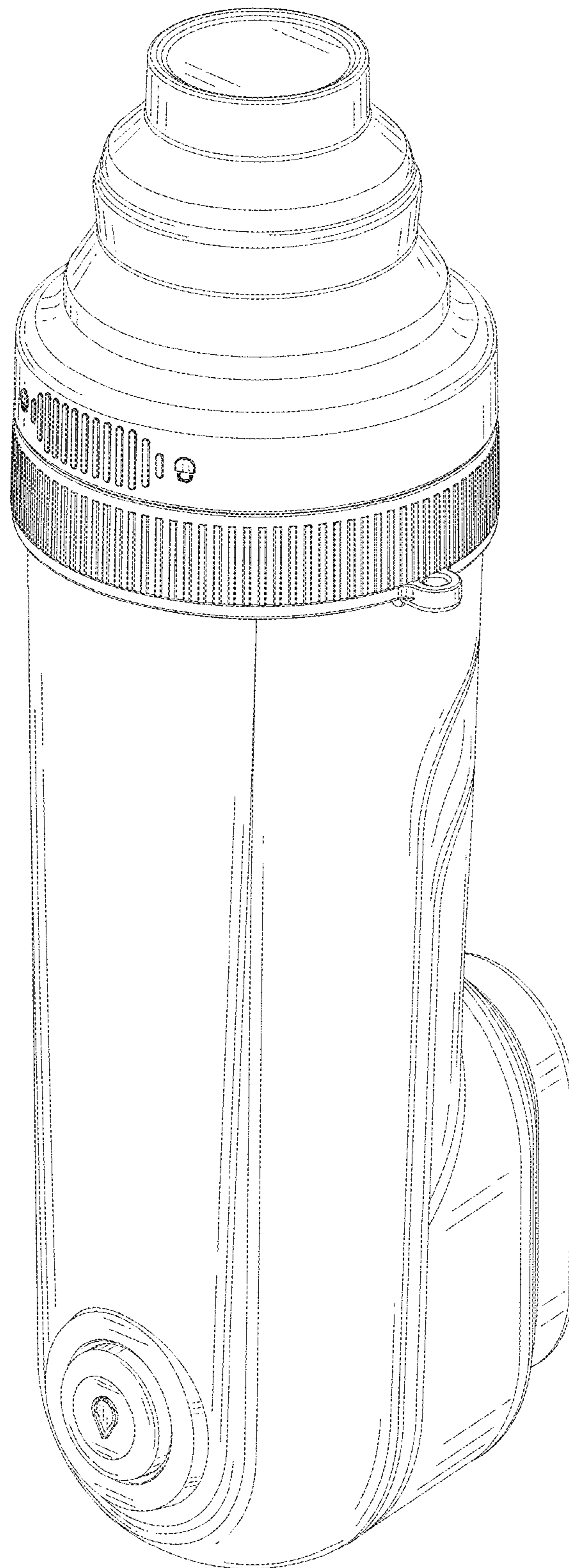


FIG. 2

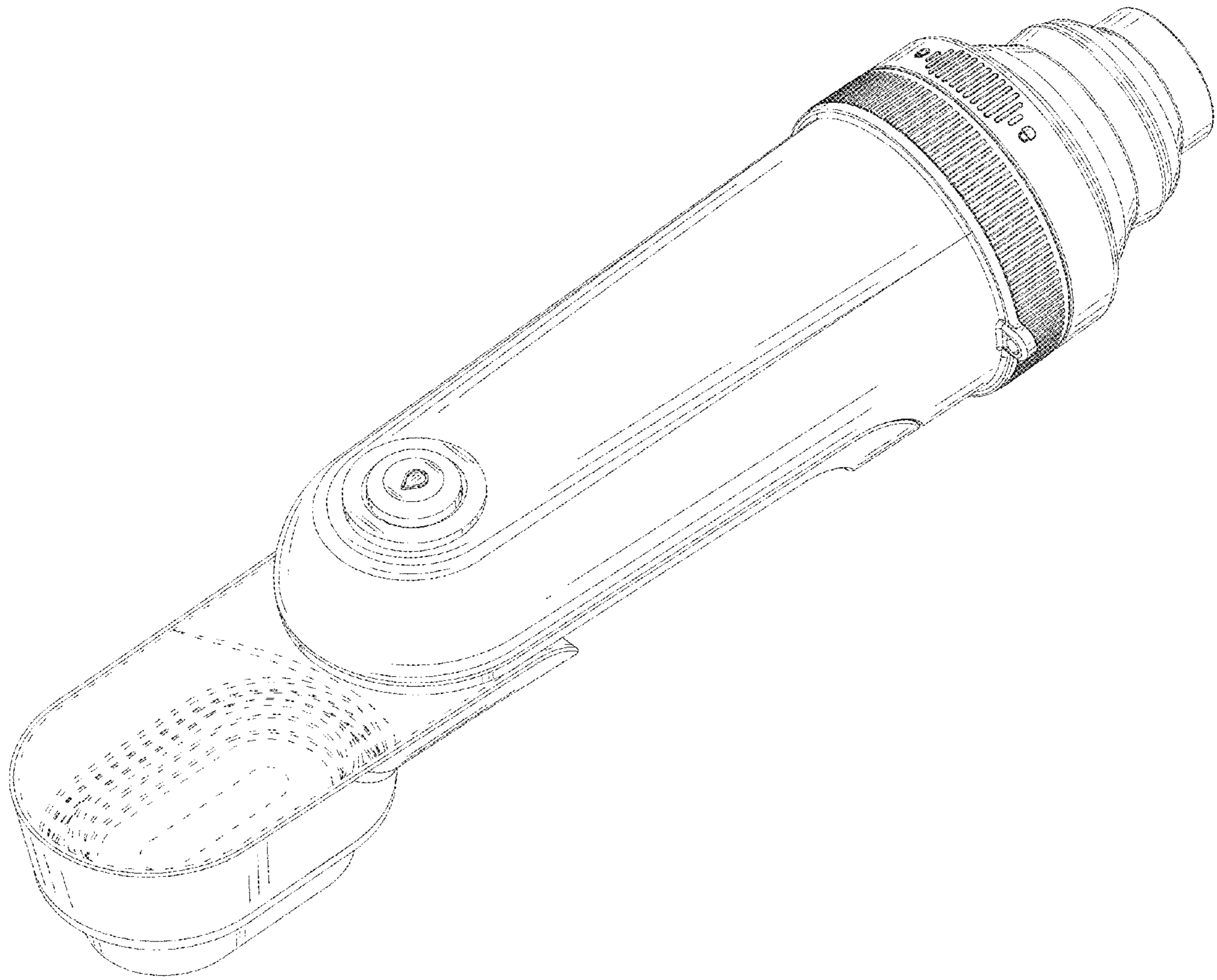


FIG. 3

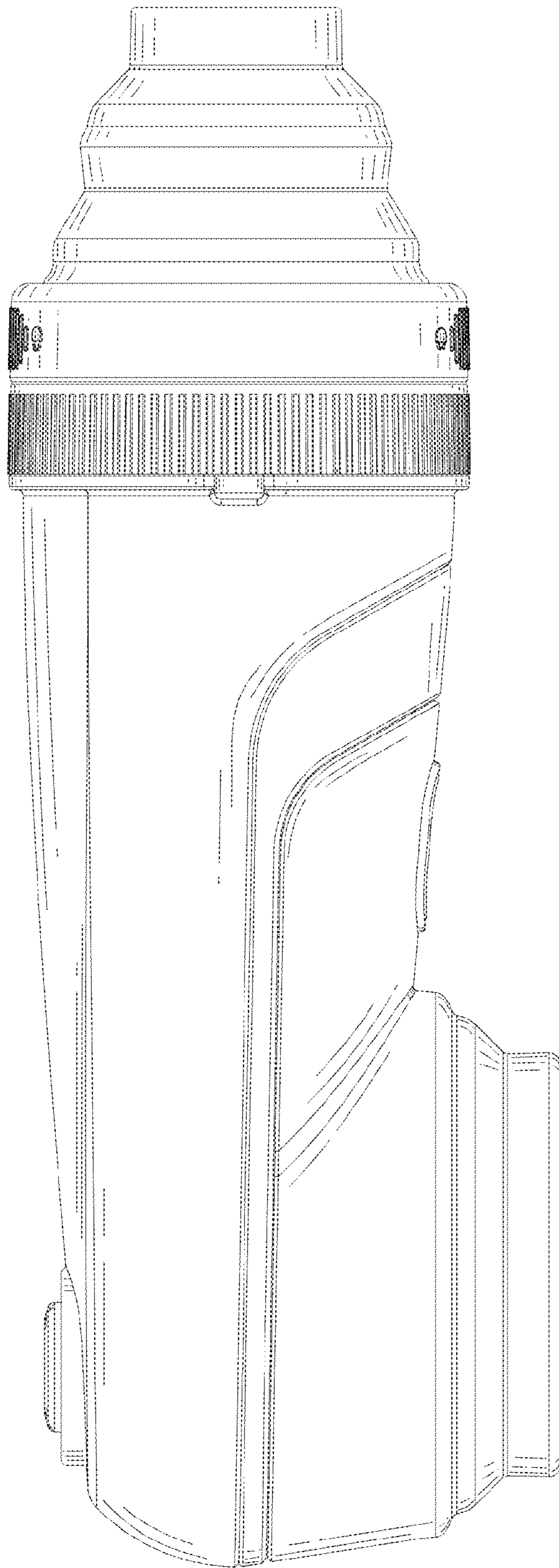


FIG. 4

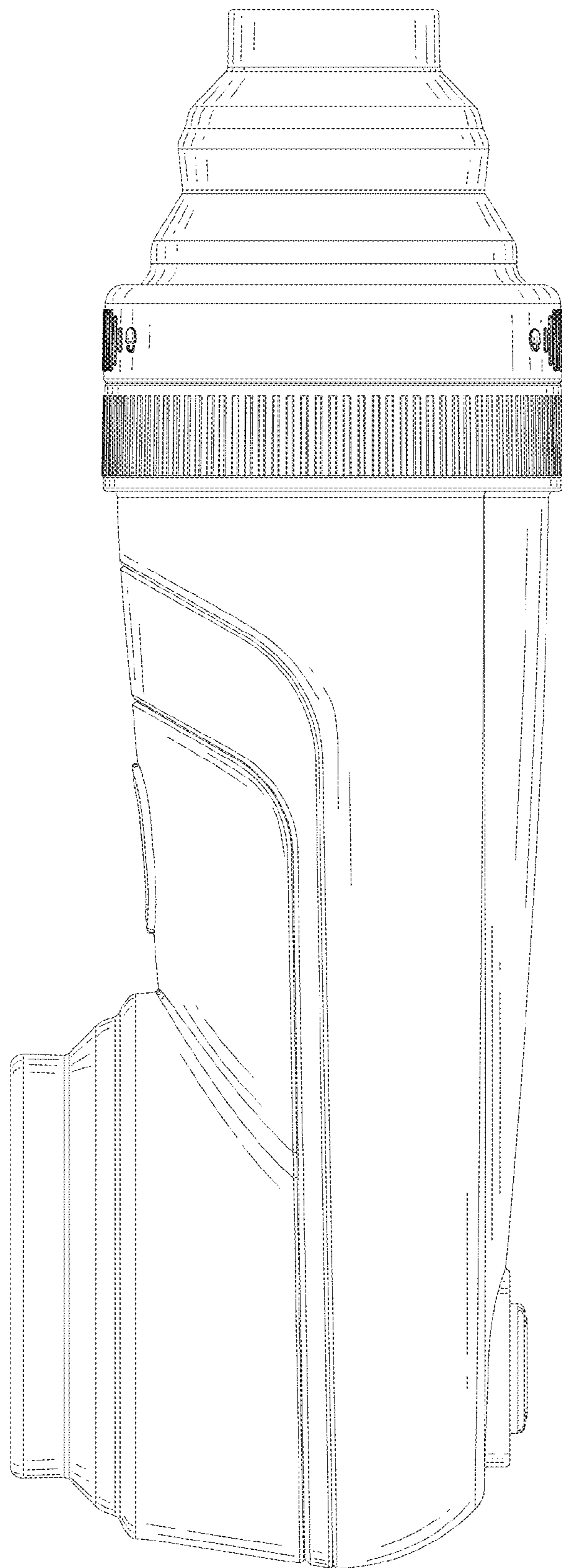


FIG. 5

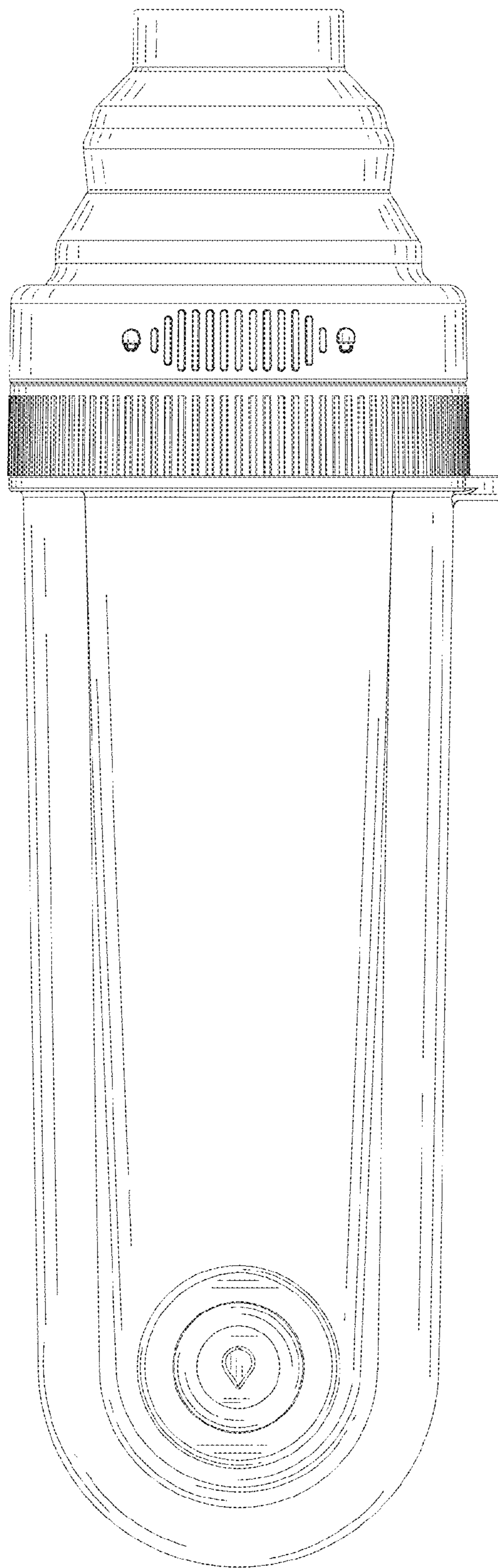


FIG. 6

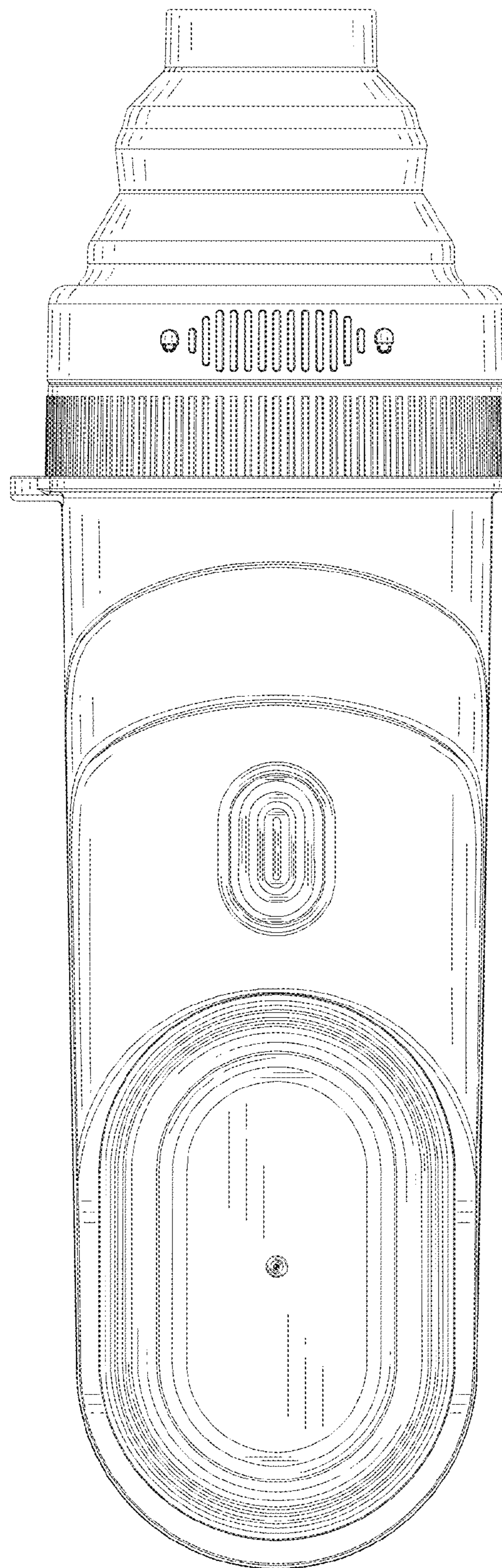


FIG. 7

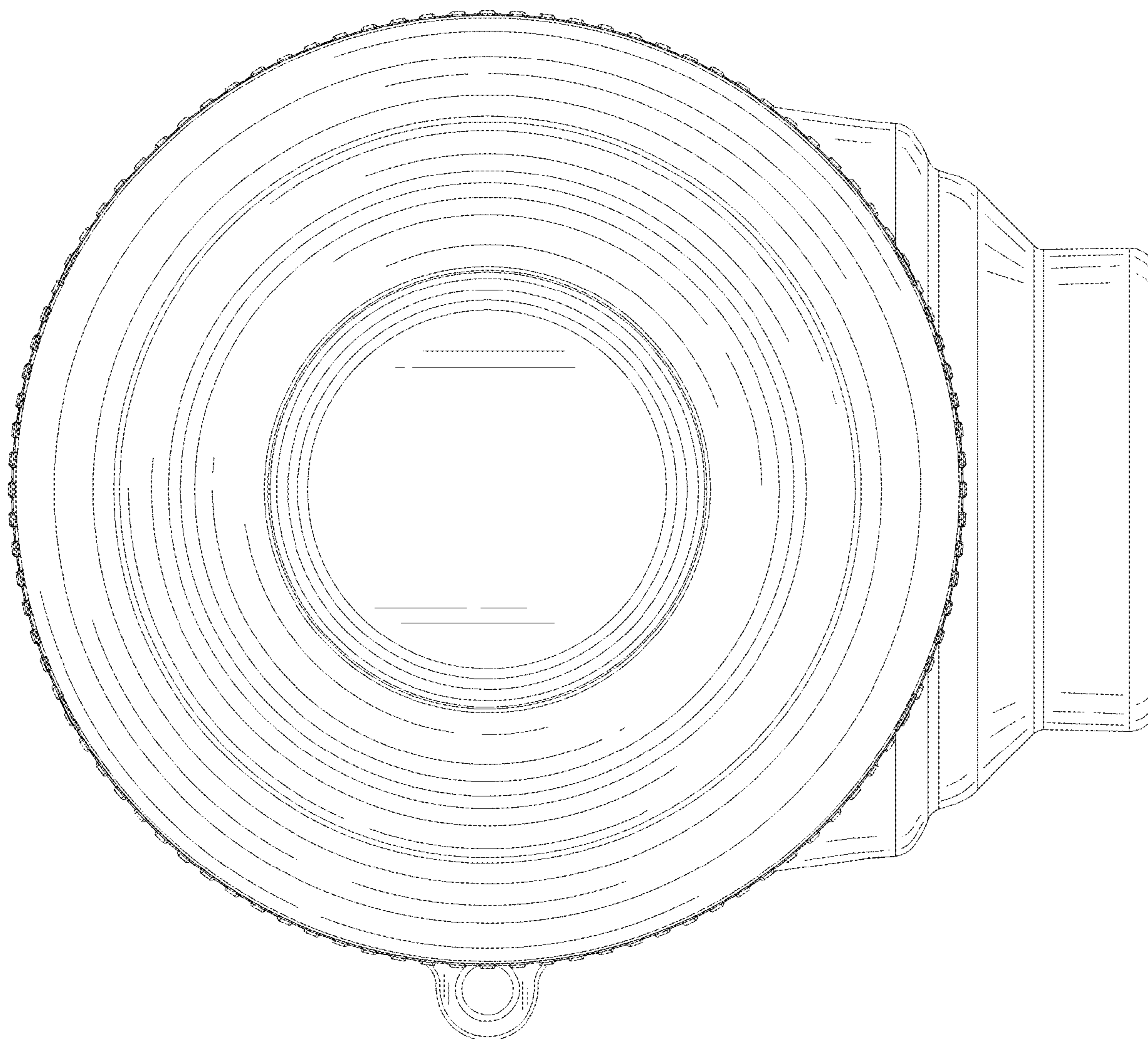


FIG. 8

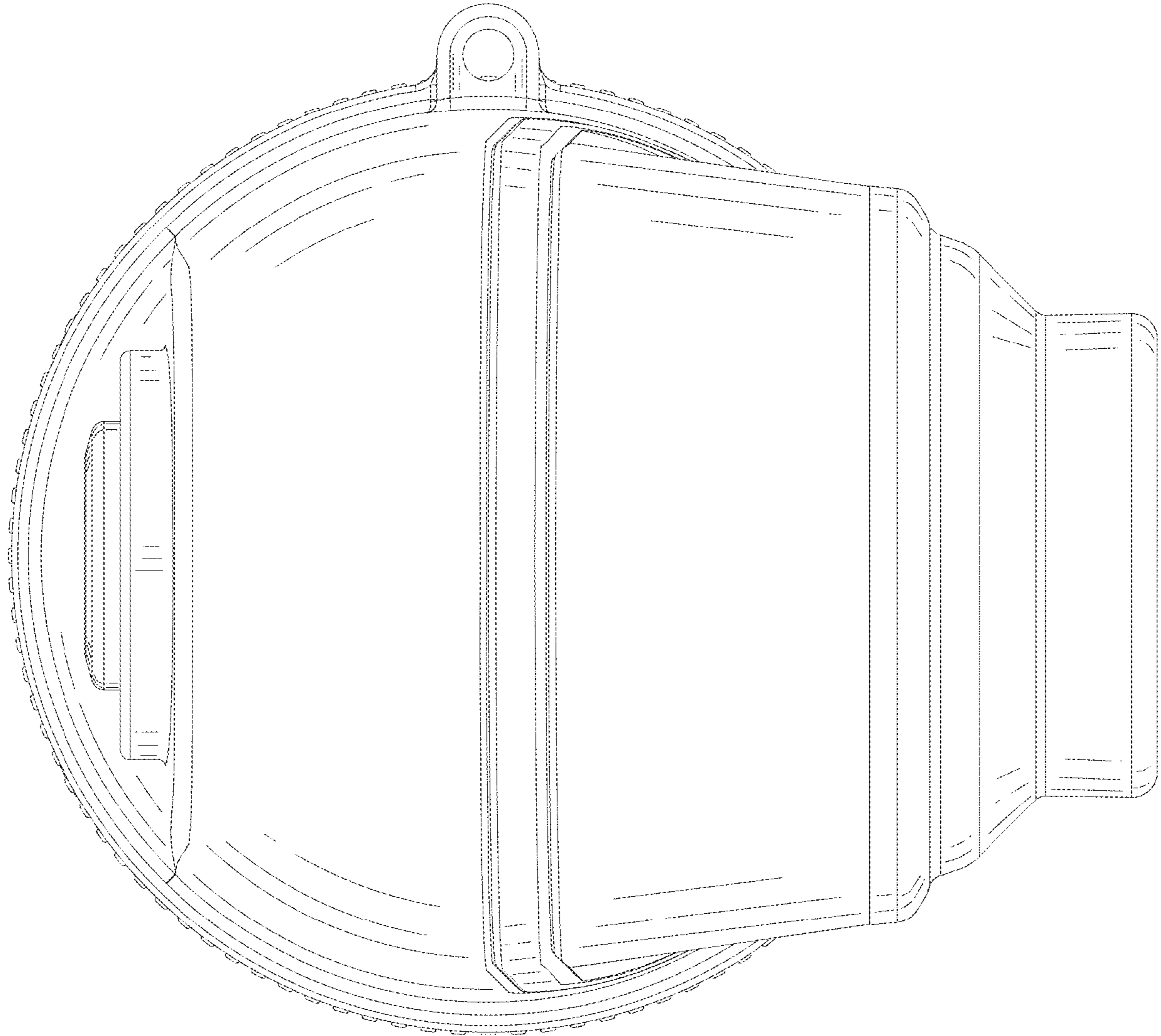


FIG. 9