



US00D944463S

(12) **United States Design Patent** (10) **Patent No.:** **US D944,463 S**
Purvis, Jr. (45) **Date of Patent:** **** Feb. 22, 2022**

(54) **GAME FEEDER**

(71) Applicant: **Jerry G. Purvis, Jr.**, Adel, GA (US)

(72) Inventor: **Jerry G. Purvis, Jr.**, Adel, GA (US)

(**) Term: **15 Years**

(21) Appl. No.: **29/789,092**

(22) Filed: **Aug. 30, 2021**

Related U.S. Application Data

(60) Division of application No. 29/735,489, filed on May 21, 2020, now Pat. No. Des. 929,669, which is a continuation of application No. 16/257,058, filed on Jan. 24, 2019.

(51) **LOC (13) Cl.** **30-03**

(52) **U.S. Cl.**
USPC **D30/121**

(58) **Field of Classification Search**

USPC D30/133, 121, 122, 124, 127, 128, 132, D30/131, 114, 119; 119/51.01, 61, 51.04, 119/53, 57.91, 54, 53.5, 52.4, 51.11, 63, 119/61.2, 52.1, 57.5, 57.6, 51.13, 62, 75, 119/500, 501, 521, 57.92, 59, 51.12, 57.1, 119/56.1, 57; 239/7, 687, 379, 397.5; 222/199, 181.1, 181.2, 185.1, 557, 156, 222/485, 486, 548, 555; 220/200, 227, 220/247, 262; 221/174, 185.1, 289, 295, 221/296, 559; 454/35; 209/270, 283, 209/244; 52/194, 192; 49/279, 344, 357; D34/28
CPC A01K 5/0225; A01K 5/00; A01K 5/02; A01K 5/01; A01K 5/0291; A01K 5/0266; A01K 5/0275; A01K 5/0283; A01K 39/00; A01K 39/01; A01K 39/0113; A01K 39/012; A01K 39/0125; A01K 39/014; B28C 7/0046; B65D 90/14; B65D 88/52; B65D 88/30; A01C 17/005; A01C 17/006; Y10T 74/19721; Y10T 74/2063

See application file for complete search history.

(56) **References Cited**

U.S. PATENT DOCUMENTS

3,195,508 A * 7/1965 Lehman A01K 5/0291
119/51.11
3,730,142 A * 5/1973 Kahrs A01K 61/80
119/54
4,538,548 A * 9/1985 Page A01K 5/0225
119/52.1
4,945,859 A * 8/1990 Churchwell A01K 5/0275
119/54
4,986,220 A * 1/1991 Reneau A01K 5/02
119/57.91
5,143,289 A * 9/1992 Gresham A01K 5/0291
239/7

(Continued)

Primary Examiner — Susan Moon Lee

(74) *Attorney, Agent, or Firm* — Schonauer Law LLC

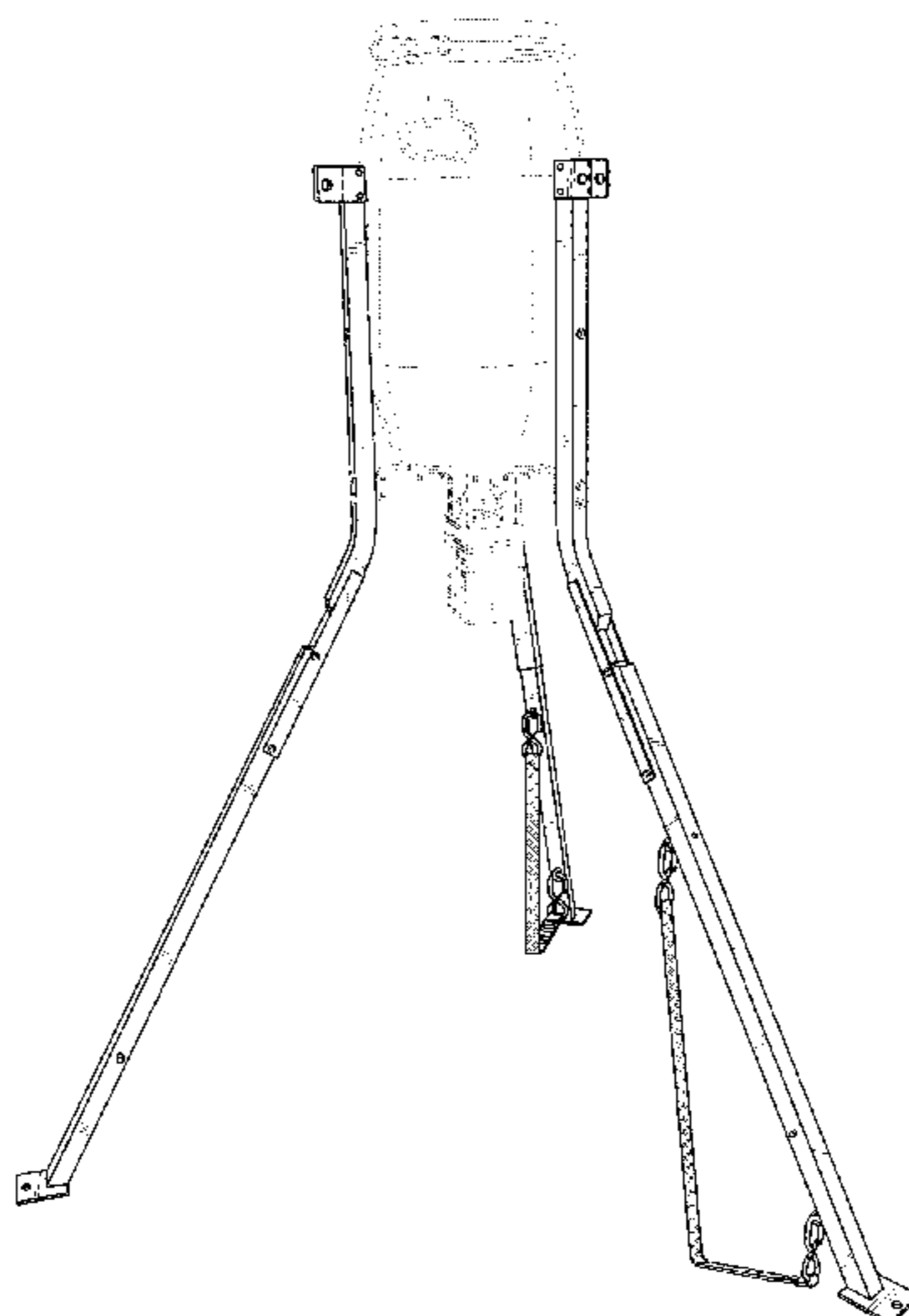
(57) **CLAIM**

The ornamental design for a game feeder, as shown and described.

DESCRIPTION

FIG. 1 is an elevated front perspective view of a game feeder in accordance with the present design;
FIG. 2 is a front elevation view thereof;
FIG. 3 is a rear elevation view thereof;
FIG. 4 is a left side elevation view thereof;
FIG. 5 is a right side elevation view thereof;
FIG. 6 is a top plan view thereof;
FIG. 7 is a bottom plan view thereof; and,
FIG. 8 is an elevated front perspective view of the game feeder in folded mode configured for transport and storage. The broken lines in the drawings as shown in FIGS. 1-8 are directed to portions of the game feeder that are not considered part of the claimed ornamental design.

1 Claim, 8 Drawing Sheets



(56)

References Cited

U.S. PATENT DOCUMENTS

5,862,777	A *	1/1999	Sweeney	A01K 39/014	119/57.91				
6,082,300	A *	7/2000	Futch	A01K 5/02	119/51.11				
6,510,813	B1 *	1/2003	Boone, Jr.	A01K 5/0225	119/57.91				
6,622,653	B1 *	9/2003	Starnes, Jr.	A01K 5/01	119/51.01				
D507,079	S *	7/2005	Drum		119/57.91				
6,990,925	B2 *	1/2006	Banks	A01K 5/01	119/61.1				
7,028,635	B1 *	4/2006	Eastman, II	A01K 5/0225	119/51.11				
D543,666	S *	5/2007	Ross	D30/133					
7,314,406	B2 *	1/2008	Bilinovich	A01K 5/00	452/185				
7,331,308	B1 *	2/2008	Smith	A01K 5/0225	119/57.91				
7,370,605	B2 *	5/2008	Meritt	A01K 1/10	119/51.01				
7,523,717	B2 *	4/2009	Nicholes	A01K 5/0225	119/51.01				
7,780,027	B2 *	8/2010	Coady	A01K 5/0225	220/23.86				
7,798,098	B1 *	9/2010	Patterson	A01K 5/0225	119/51.11				
8,096,265	B1 *	1/2012	Wisecarver	A01K 5/0225	119/57.1				
D659,295	S *	5/2012	Quiring	D30/121					
D691,770	S *	10/2013	Woller	D30/121					
8,631,764	B2 *	1/2014	Quiring	A01K 5/0225	119/57.91				
8,689,737	B2 *	4/2014	Gates	A01K 5/0225	119/53				
8,833,303	B1 *	9/2014	Linder	A01K 5/0225	119/57.91				
8,833,304	B2 *	9/2014	Whitsett	A01K 5/02	119/57.92				
9,173,377	B2 *	11/2015	Morris	A01K 5/0291					
9,204,619	B2 *	12/2015	Gates	A01K 5/0225					
D747,562	S *	1/2016	Alford	D30/121					
9,414,569	B2 *	8/2016	Romero	A01K 5/02					
9,462,783	B2 *	10/2016	Gates	A01K 5/0225					
9,655,342	B2 *	5/2017	Christie	A01K 5/0225					
9,700,014	B1 *	7/2017	Bogart	A01K 5/0225					
9,743,641	B1 *	8/2017	Attard	A01K 5/0291					
9,877,461	B2 *	1/2018	Nelson	A01K 39/014					
D825,114	S *	8/2018	Robbins	D30/121					
10,201,150	B1 *	2/2019	Cottle	A01K 29/005					
10,342,212	B2 *	7/2019	Nelson	A01K 5/0225					
10,542,728	B2 *	1/2020	Young	A01K 5/0291					
10,653,110	B2 *	5/2020	Pfeiff	A01K 5/02					
10,653,111	B2 *	5/2020	Alcoser	A01K 5/0225					
D929,669	S *	8/2021	Purvis, Jr.	D30/121					
2003/0019437	A1 *	1/2003	Fore	A01K 5/0225	119/57.92				
2005/0076843	A1 *	4/2005	Ansaldo	A01K 5/0225	119/57.91				
2005/0284381	A1 *	12/2005	Bell	A01K 5/02	119/51.02				
2006/0048712	A1 *	3/2006	Boyer	A01K 5/0225	119/57.91				
2010/0307421	A1 *	12/2010	Gates	A01K 39/012	119/56.1				
2012/0085288	A1 *	4/2012	Salinas	A01K 5/0291	119/51.02				
2012/0085289	A1 *	4/2012	Quiring	A01K 5/0225	119/57.91				
2013/0180456	A1 *	7/2013	Whitsett	A01K 5/02	119/57.92				
2013/0186342	A1 *	7/2013	Salinas	A01K 5/02	119/51.11				
2014/0069339	A1 *	3/2014	Dettore	A01K 5/0225	119/61.2				
2014/0174368	A1 *	6/2014	Salinas	A01K 5/0291	119/51.11				
2015/0047568	A1 *	2/2015	Morris	A01K 5/0225	119/51.11				
2015/0122187	A1 *	5/2015	Nelson	A01K 39/014	119/57.91				
2015/0272079	A1 *	10/2015	Evans	A01K 5/0225	119/51.01				
2015/0327510	A1 *	11/2015	Romero	A01K 7/02	119/51.11				
2015/0366162	A1 *	12/2015	Collins	A01K 5/0225	119/57.91				
2016/0316717	A1 *	11/2016	Romero	A01K 5/02					
2017/0006825	A1 *	1/2017	Knight	A01K 5/0225					
2017/0035023	A1 *	2/2017	Teinert	A01K 5/0225					
2017/0071153	A1 *	3/2017	Stanley	A01K 5/01					
2017/0105388	A1 *	4/2017	Pfeiff	A01K 5/02					
2017/0196197	A1 *	7/2017	Romero	A01K 5/02					
2017/0280677	A1 *	10/2017	Young	A01K 5/0291					
2018/0077898	A1 *	3/2018	Winn	A01K 5/025					
2018/0116173	A1 *	5/2018	Nelson	A01K 5/0225					
2018/0184617	A1 *	7/2018	Kohler	A01M 31/008					
2018/0279579	A1 *	10/2018	Alcoser	A01K 5/0225					
2018/0300662	A1 *	10/2018	Lauve, IV	A01K 5/0291					
2019/0090473	A1 *	3/2019	West	A01K 5/0225					
2020/0267933	A1 *	8/2020	Pfeiff	H04Q 9/00					

* cited by examiner

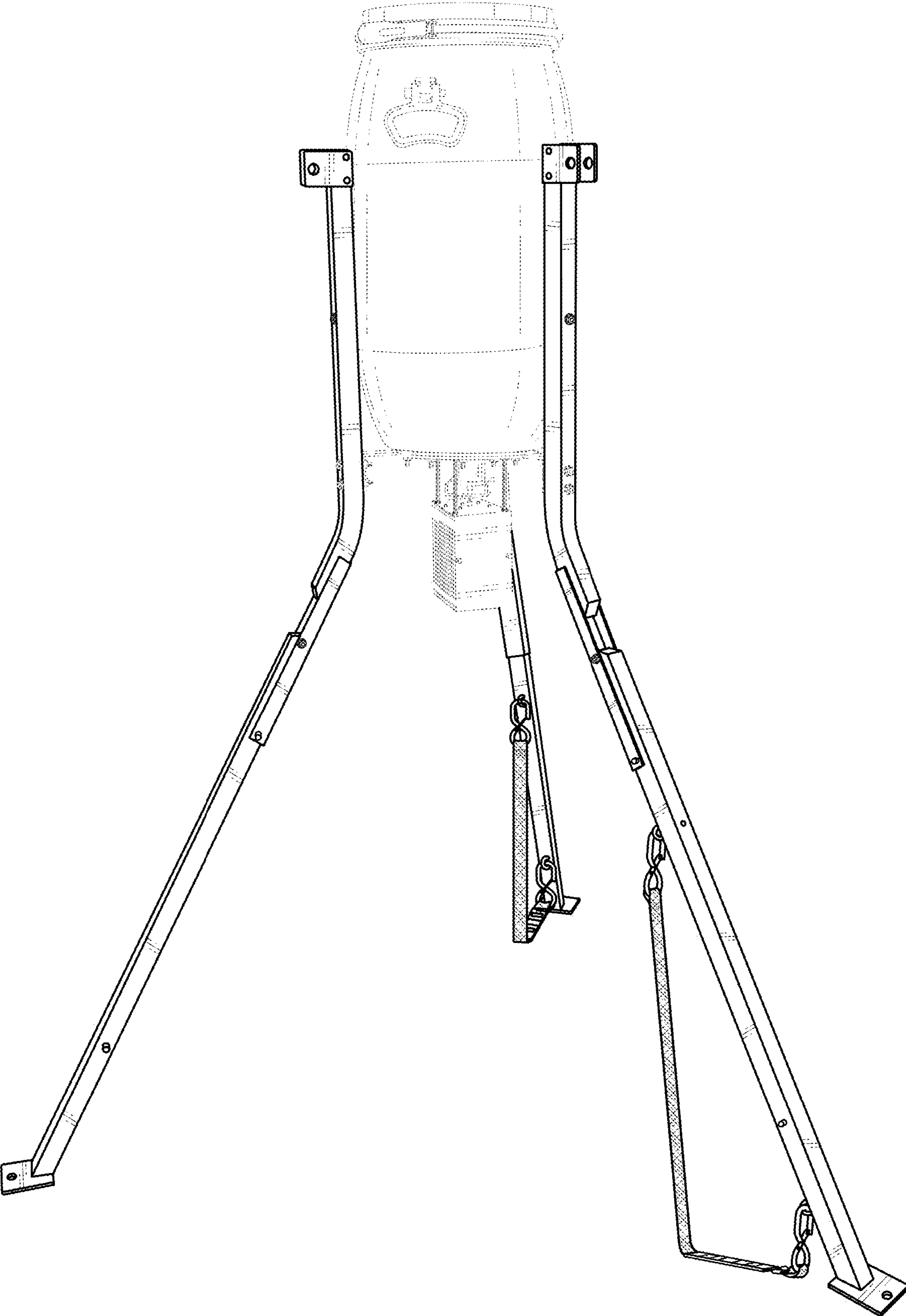


FIG. 1

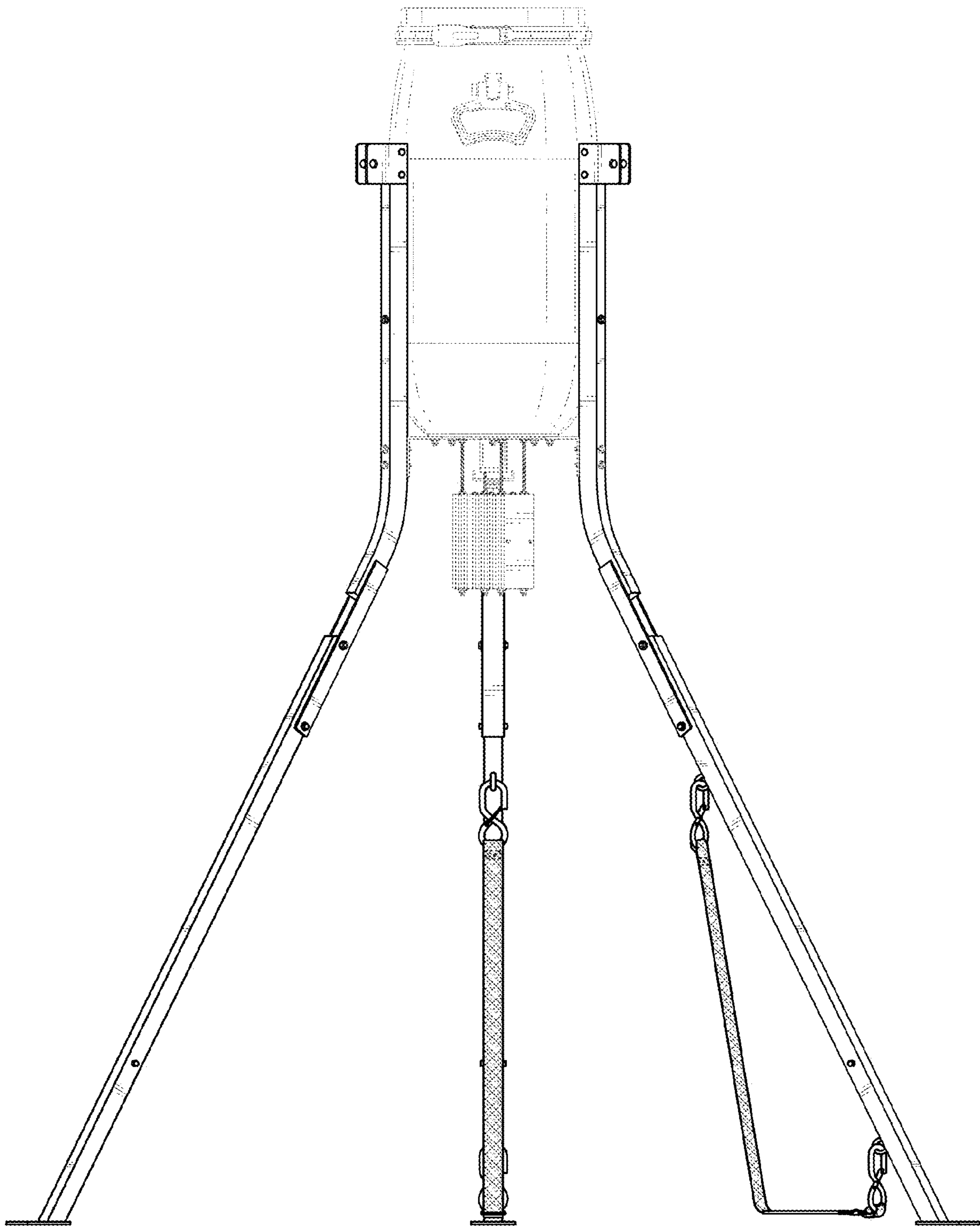


FIG. 2

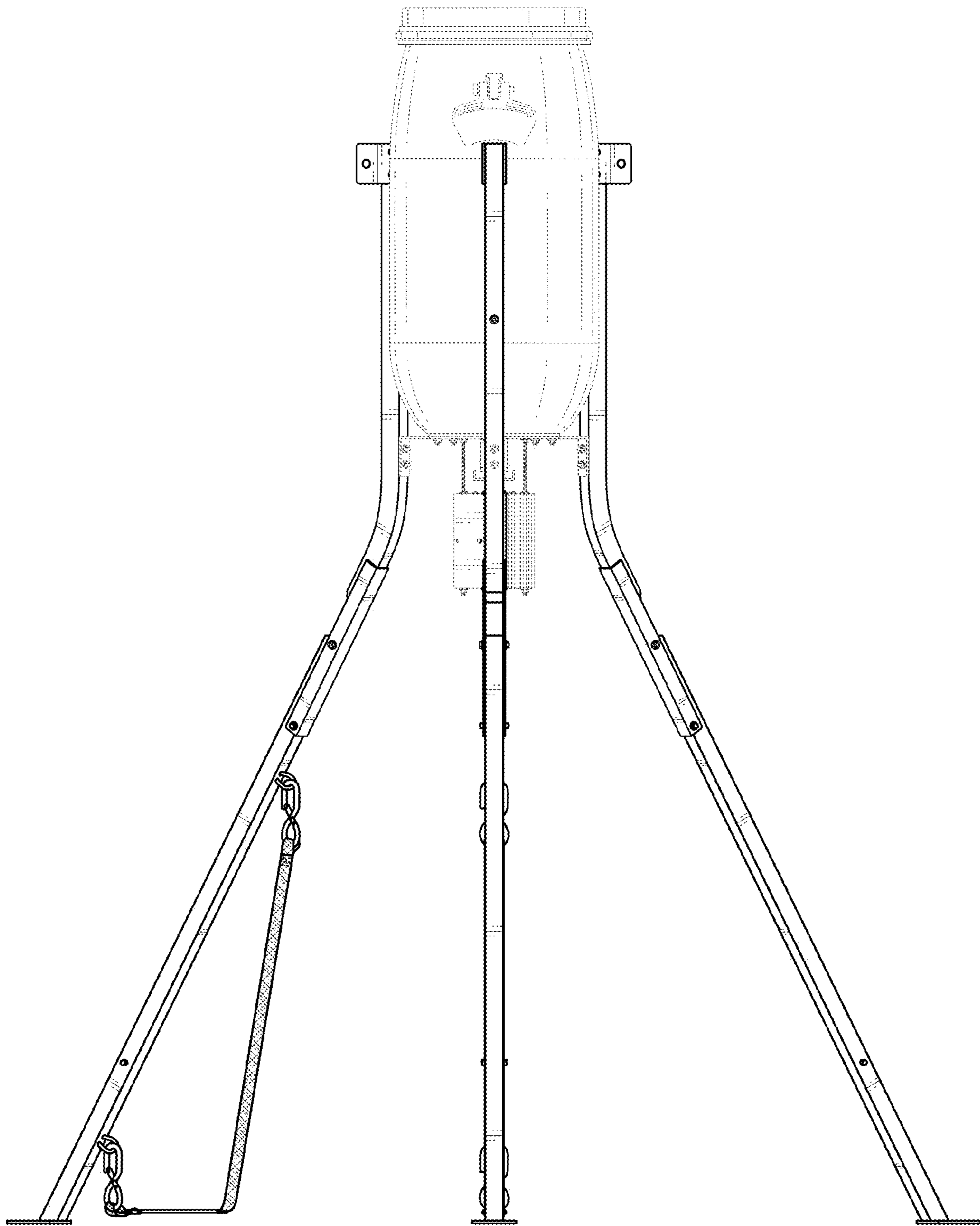


FIG. 3

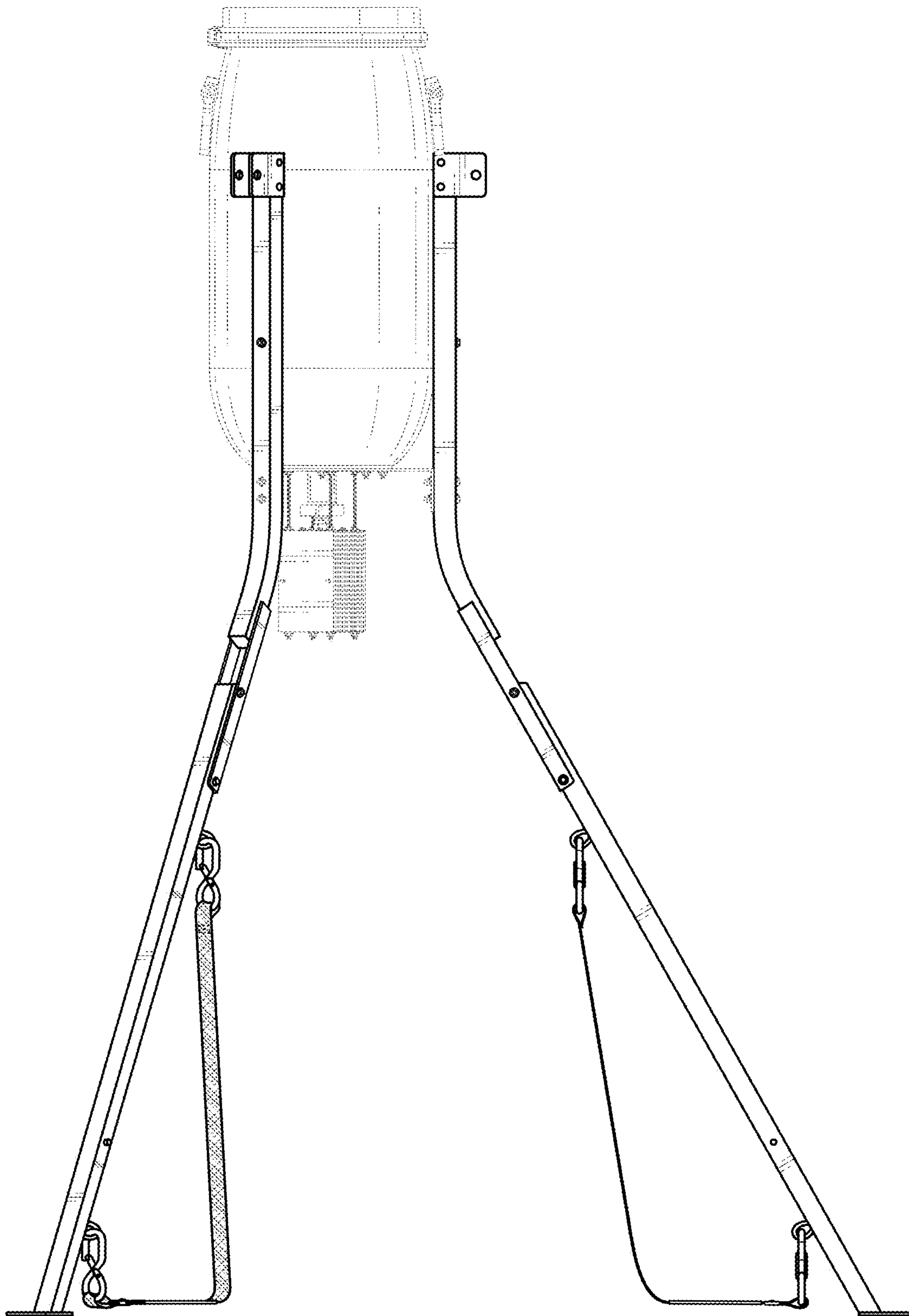


FIG. 4

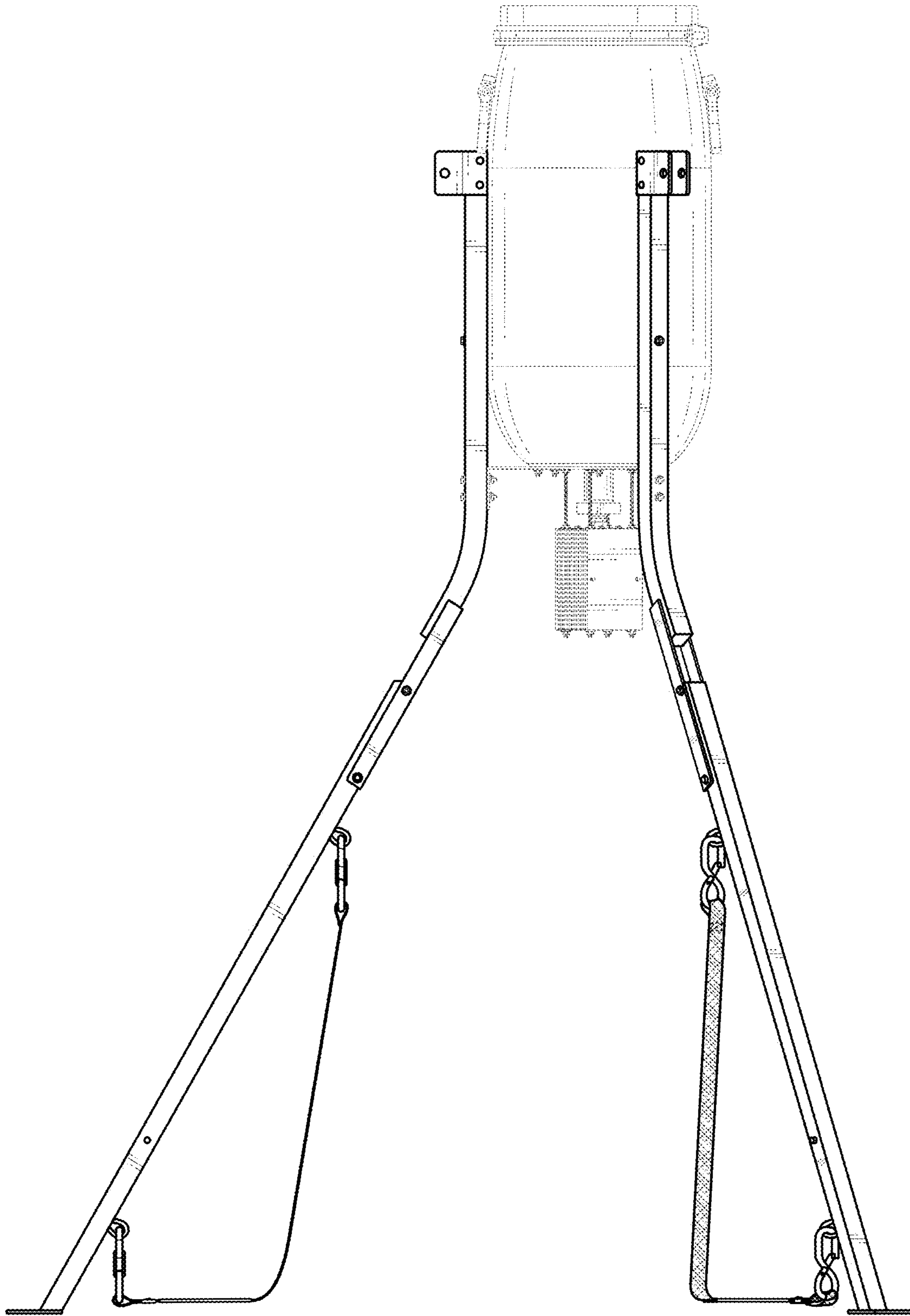


FIG. 5

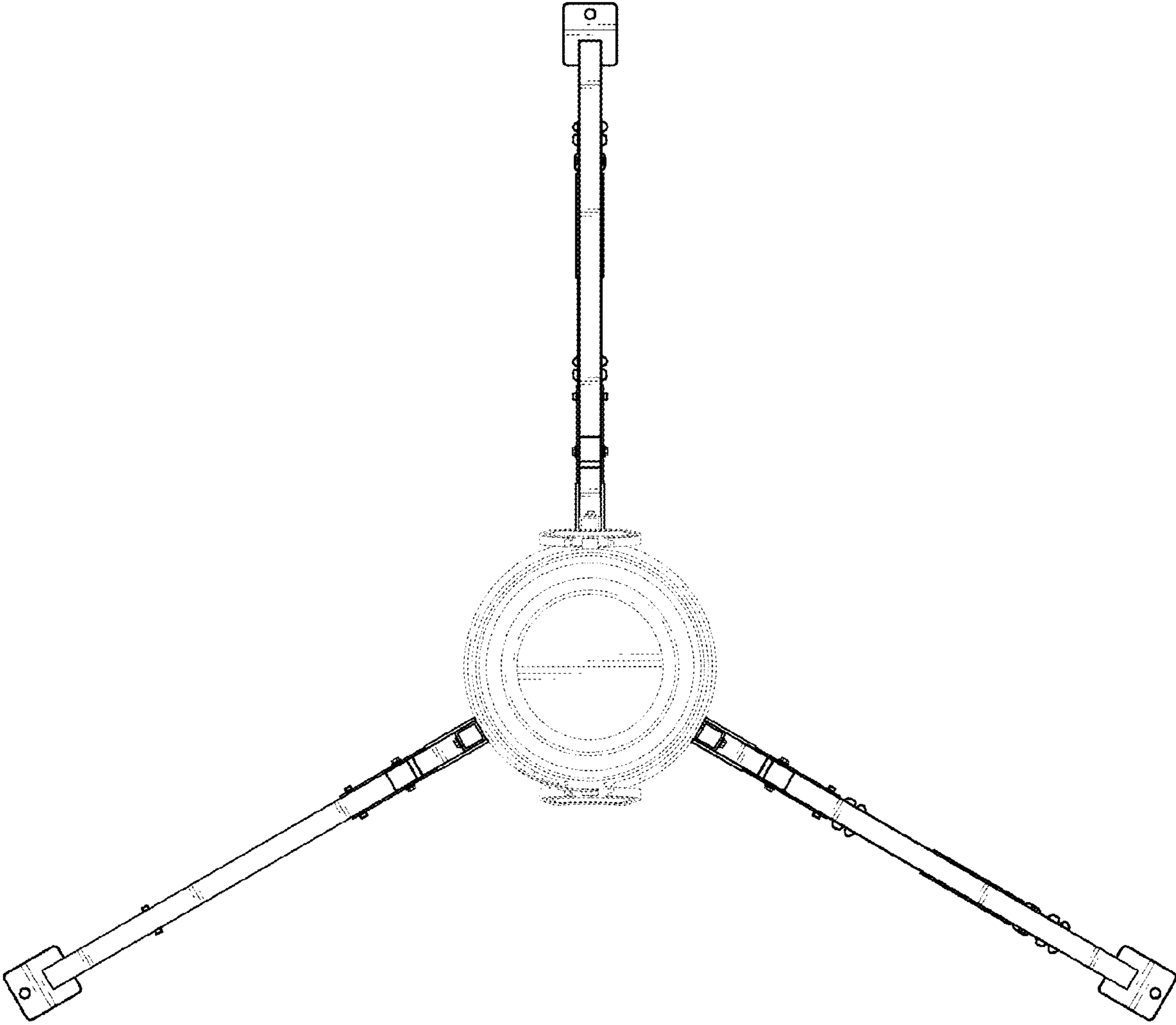


FIG. 6

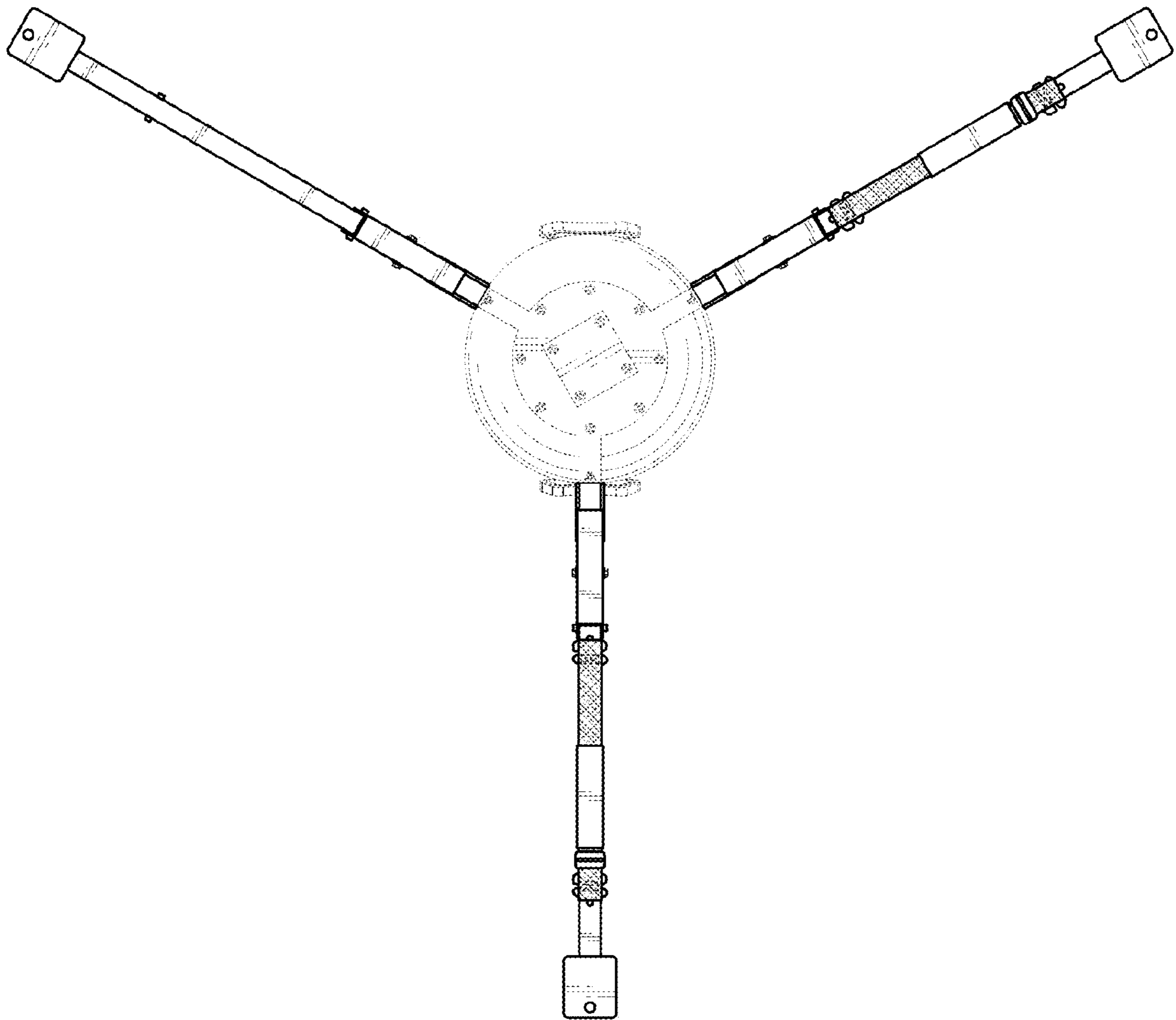


FIG. 7

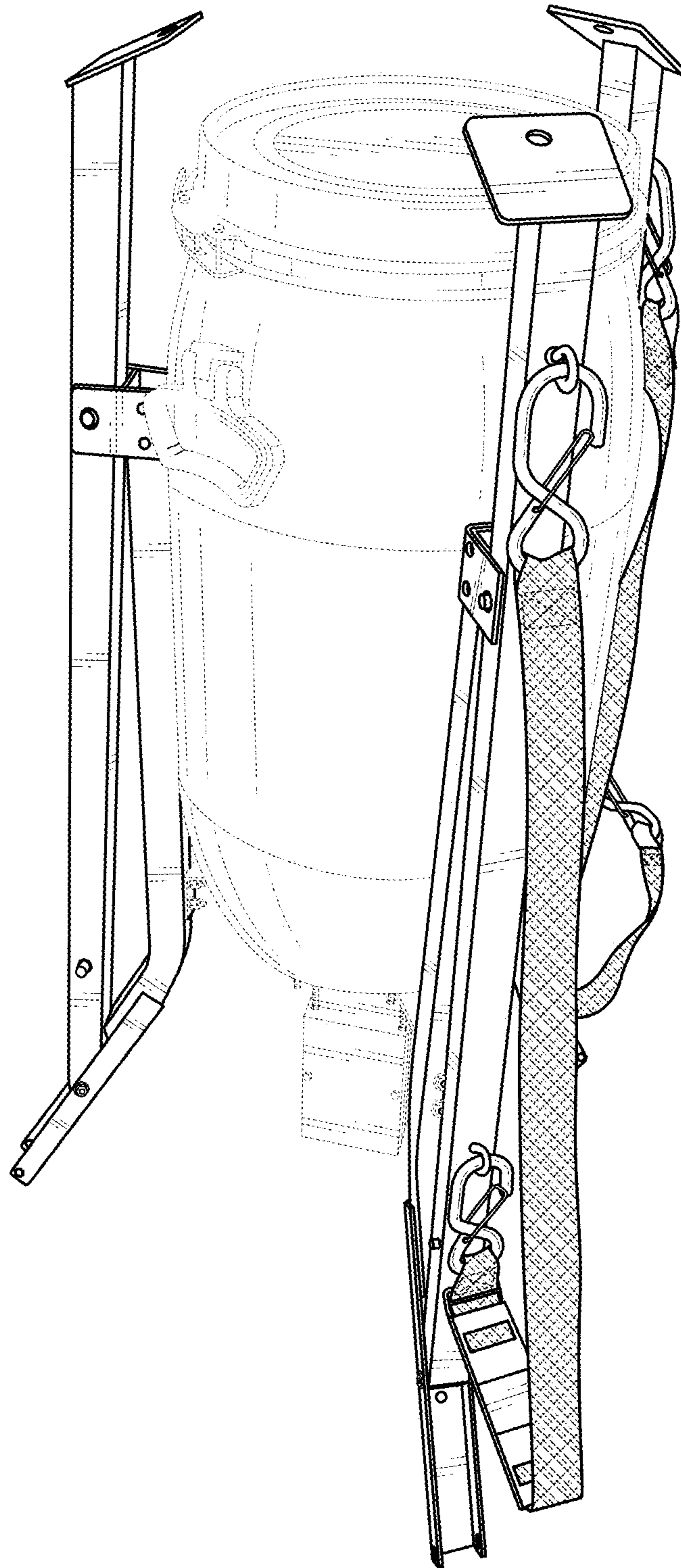


FIG. 8