



US00D944462S

(12) **United States Design Patent** (10) **Patent No.:** **US D944,462 S**
Seymour et al. (45) **Date of Patent:** **** Feb. 22, 2022**

(54) **FIRE EXTINGUISHER BODY**
(71) Applicant: **Rusoh, Inc.**, Eau Claire, WI (US)
(72) Inventors: **Justun Seymour**, Eau Claire, WI (US);
Seth Rooney, Chippewa Falls, WI (US)
(73) Assignee: **Rusoh, Inc.**, Eau Claire, WI (US)
(**) Term: **15 Years**
(21) Appl. No.: **29/694,527**
(22) Filed: **Jun. 11, 2019**
(51) **LOC (13) Cl.** **29-01**
(52) **U.S. Cl.**
USPC **D29/125**
(58) **Field of Classification Search**
USPC D3/201, 203.1, 203.6, 203.7, 203.8, 247,
D3/248, 249, 303; D8/2, 21, 22, 23, 24,
D8/25, 26, 27, 28, 29, 71, 72, 107, 30,
D8/303, 306, 349, 354, 355, 356, 382,
D8/394, 395, 396, 397, 398, 499;
D29/124, 125, 126, 128, 129, 130
CPC .. A61F 17/00; A62B 1/00; A62B 1/08; A62B
1/10; A62B 1/12; A62B 1/14; A62B 1/16;
A62B 1/18; A62B 1/20; A62B 17/00;
A62B 25/00; A62B 25/005; A62C 2/00;
A62C 3/00; A62C 3/07; A62C 8/00;
A62C 11/00; A62C 11/005; A62C 13/00;
A62C 13/003; A62C 13/006; A62C
13/02; A62C 13/04; A62C 13/06; A62C
13/08; A62C 13/10; A62C 13/12; A62C
13/14; A62C 13/16; A62C 13/18; A62C
13/20; A62C 13/22; A62C 13/62; A62C
13/64; A62C 13/66; A62C 13/68; A62C
13/70; A62C 13/72; A62C 13/74; A62C
13/76; A62C 13/78; A62C 35/20; A62C
99/00; A62C 99/0009; A62C 99/0018;
A62C 99/0027; A62C 99/0036; A62C
99/0045; A62C 99/0054; A62C 99/0063;
A62C 99/0072; A62C 99/0081; A62C
99/009; B60R 2011/0071; F23N 5/18;

F23N 2005/181; F23N 2005/182; F23N
5/184; F23N 2005/185; F23N 5/187;
F23N 5/188

See application file for complete search history.

(56) **References Cited**

U.S. PATENT DOCUMENTS

D152,645 S * 2/1949 Nurkiewicz D29/126
2,822,054 A * 2/1958 Howard A62C 13/003
169/84
D203,979 S * 3/1966 Brennan et al. D29/126
(Continued)

OTHER PUBLICATIONS

Amazon, "10lb ABC Dry Chemical Class A:B:C Fire Extinguisher",
first available Mar. 19, 2012. (<https://www.amazon.com/10lb-ABC-Dry-Chemical-Class/dp/B00CMUMRP2>) (Year: 2012).*

(Continued)

Primary Examiner — Lauren D McVey
Assistant Examiner — Justin A Johnson

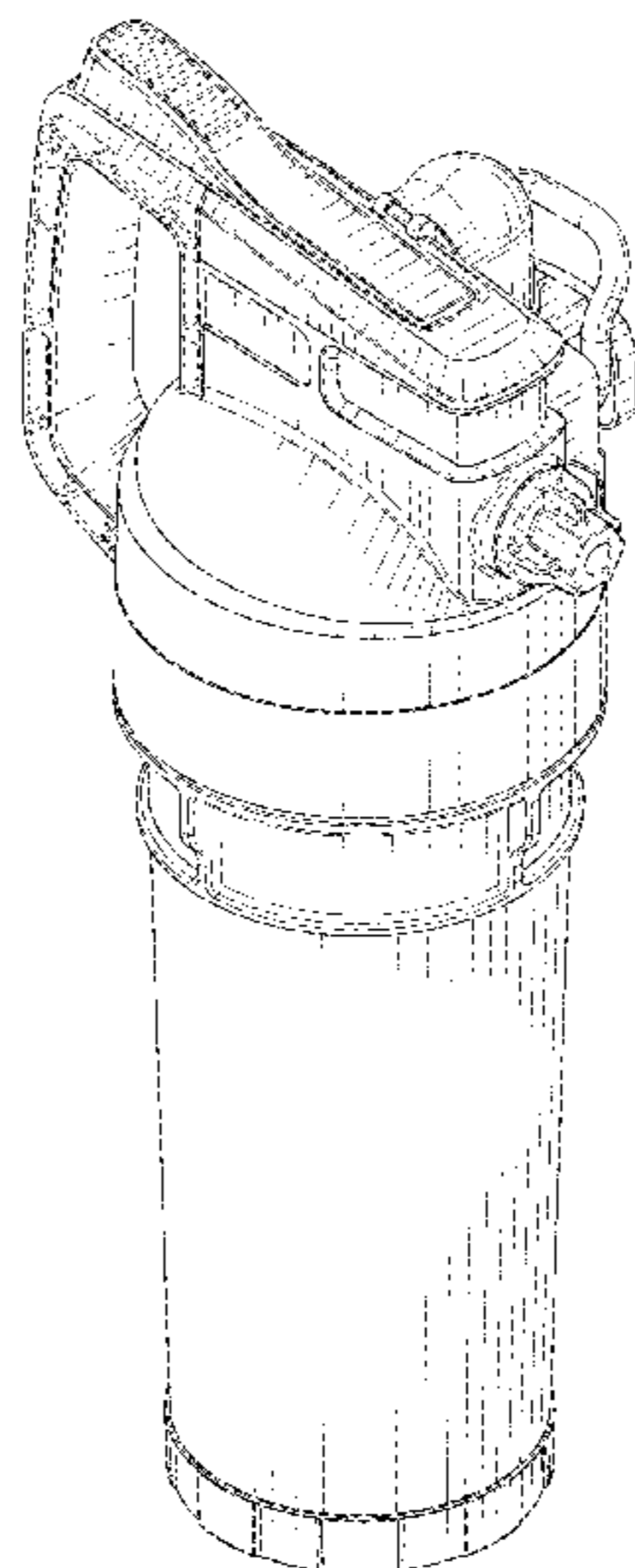
(57) **CLAIM**

The ornamental design for a fire extinguisher body, as shown
and described.

DESCRIPTION

FIG. 1 is a top-left perspective view of the fire extinguisher
body, showing the new design.
FIG. 2 is a front view of the fire extinguisher body.
FIG. 3 is a back view of the fire extinguisher body.
FIG. 4 is a left-side view of the fire extinguisher body.
FIG. 5 is a right-side view of the fire extinguisher body.
FIG. 6 is a top view of the fire extinguisher body; and,
FIG. 7 is a bottom view of the fire extinguisher body.
The evenly space broken lines in the drawings illustrate
unclaimed portions of the fire extinguisher body and form no
part of the claimed design.

1 Claim, 6 Drawing Sheets



(56)

References Cited

U.S. PATENT DOCUMENTS

D244,392 S * 5/1977 Montambo D29/126
D250,353 S * 11/1978 Avant D29/126
D347,136 S * 5/1994 Costa D29/126
D777,991 S * 1/2017 Rousseau A62C 13/003
D29/125
D843,068 S * 3/2019 Rousseau A62C 13/72
D29/125
D872,375 S * 1/2020 Fergusson A62C 13/76
D29/126
2010/0294522 A1* 11/2010 Rousseau A62C 13/66
169/71
2015/0060093 A1* 3/2015 Bongiorno A62C 13/72
169/85
2015/0367154 A1* 12/2015 Rousseau A62C 13/006
169/75
2017/0209726 A1* 7/2017 Hu A62C 13/76

OTHER PUBLICATIONS

The NBS, "Fire extinguisher types—How to choose, identify, maintain and use firefighting equipment", first available May 23, 2016. (<https://www.thenbs.com/knowledge/fire-extinguisher-types-how-to-choose-identify-maintain-and-use-firefighting-equipment>) (Year: 2016).*

Youtube, "Rusoh Eliminator Self Service Fire Extinguisher", first available Oct. 16, 2017. (https://www.youtube.com/watch?v=ZKgT5Ha2LeU&feature=emb_title) (Year: 2017).*

Fire Equipment Online, "2.0 kg CO2 Fire Extinguisher", first available Feb. 26, 2018. (<https://www.fireequipmentonline.com.au/shop/fire-extinguishers/co2-extinguishers/co2-fire-extinguisher-2kg/>) (Year: 2018).*

* cited by examiner

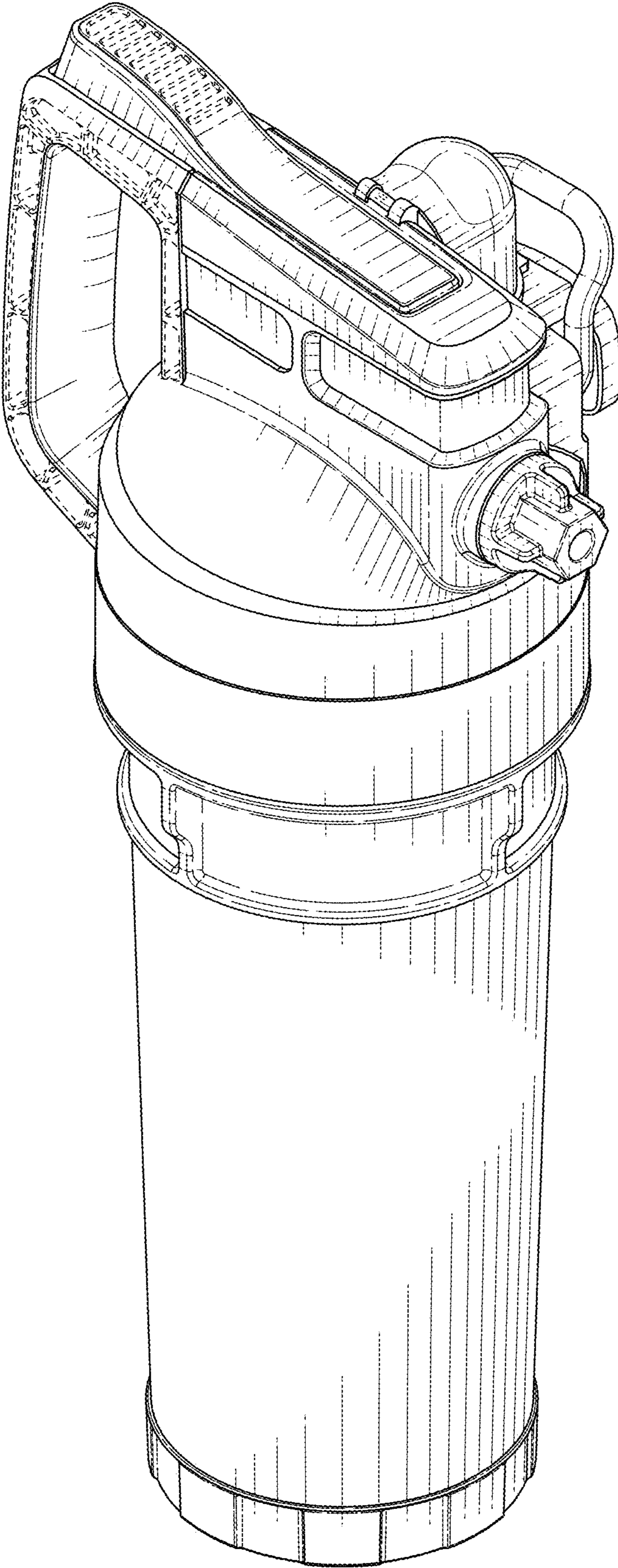


FIG. 1

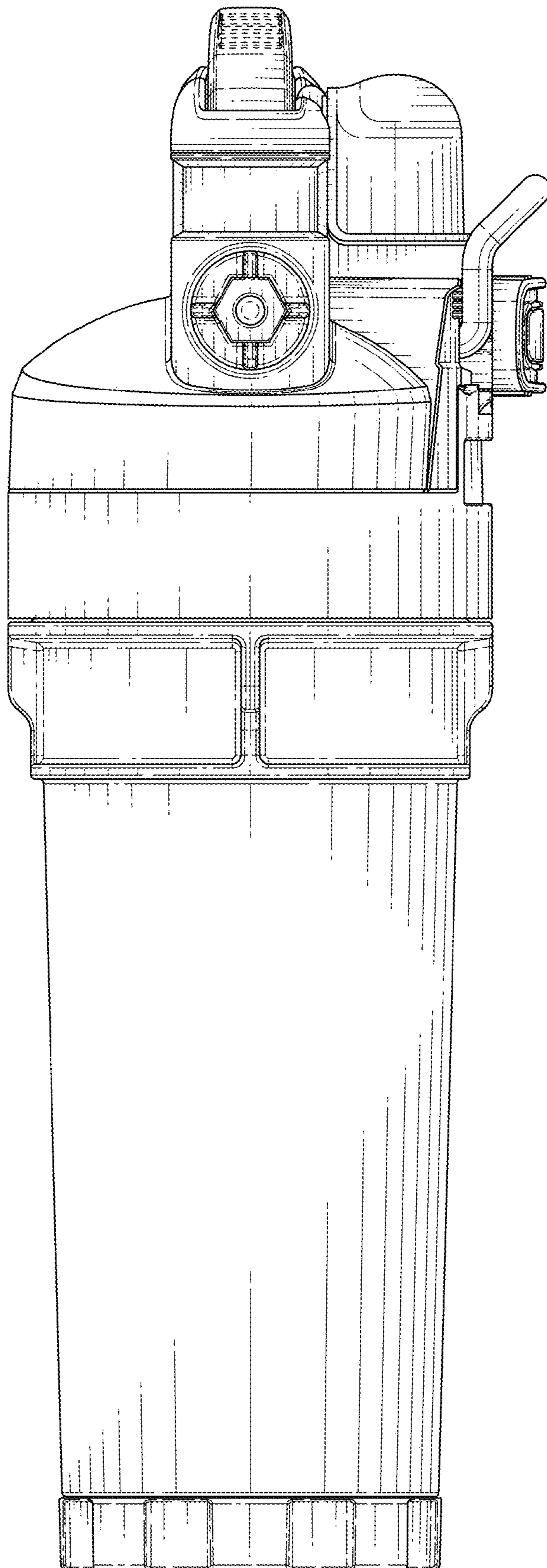


FIG. 2

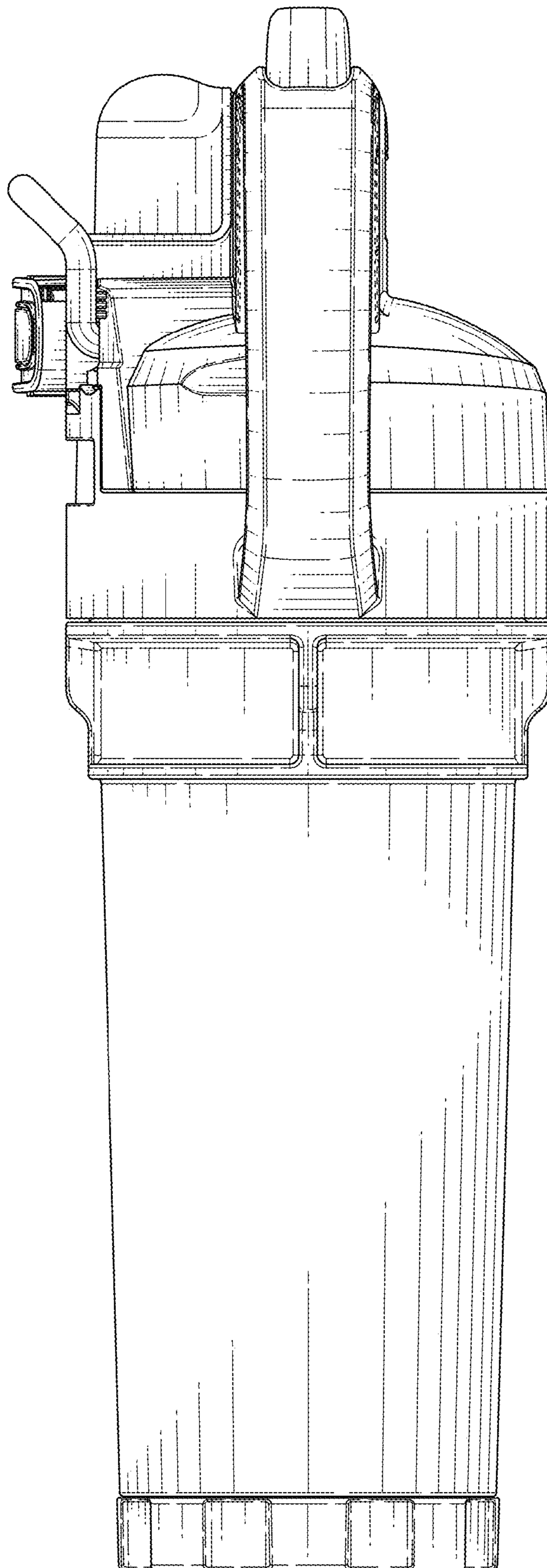


FIG. 3

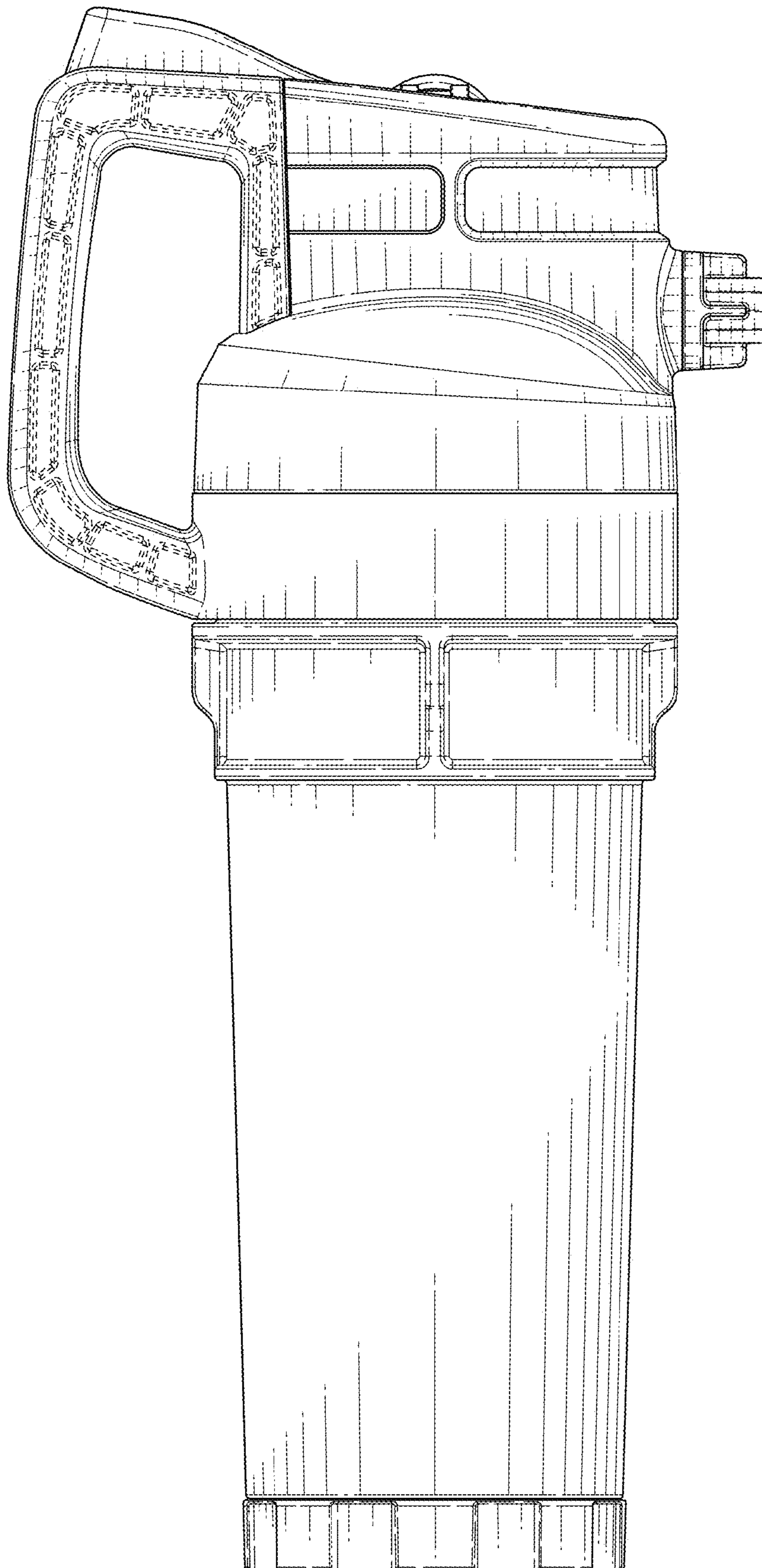


FIG. 4

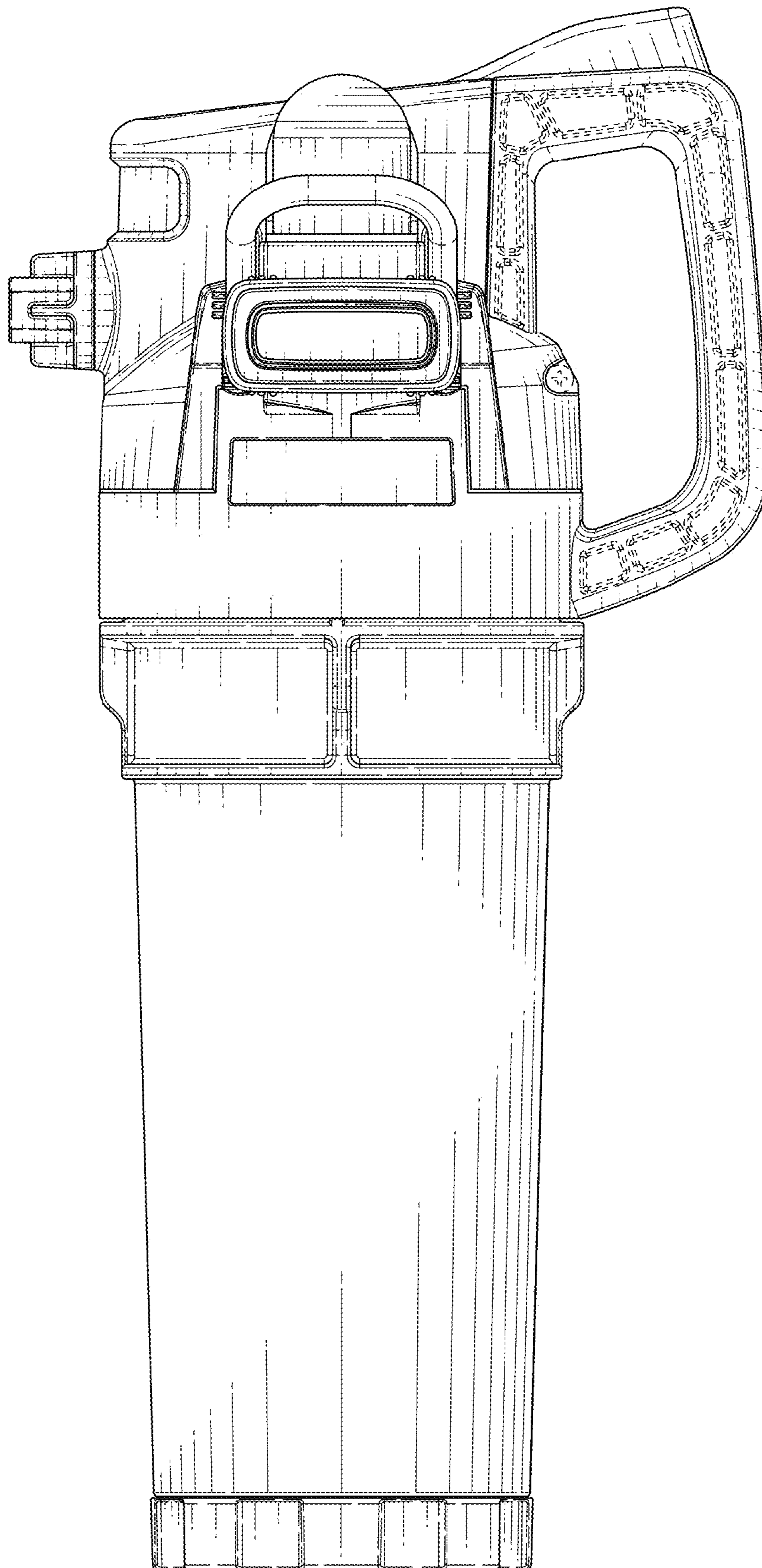


FIG. 5

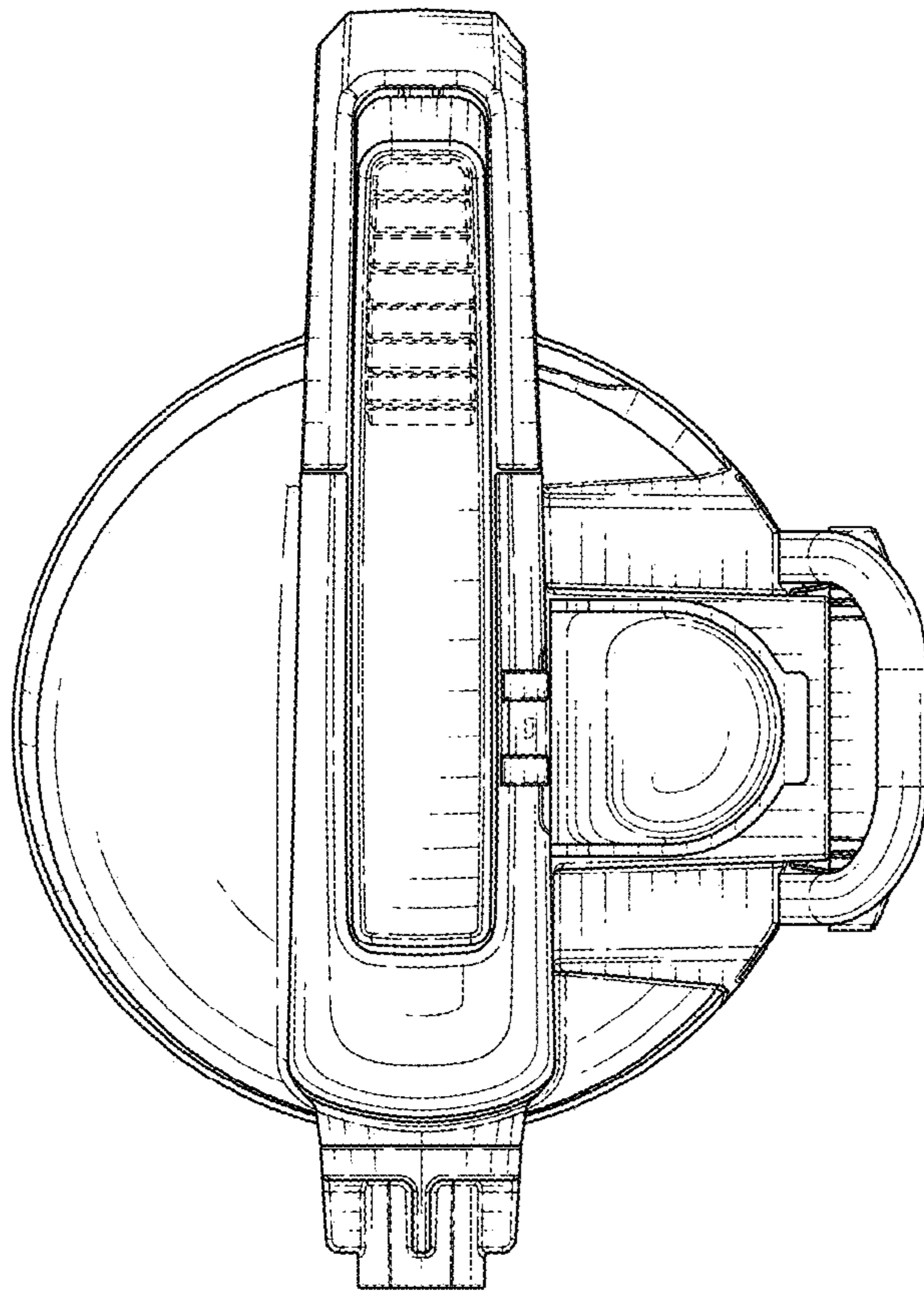


FIG. 6

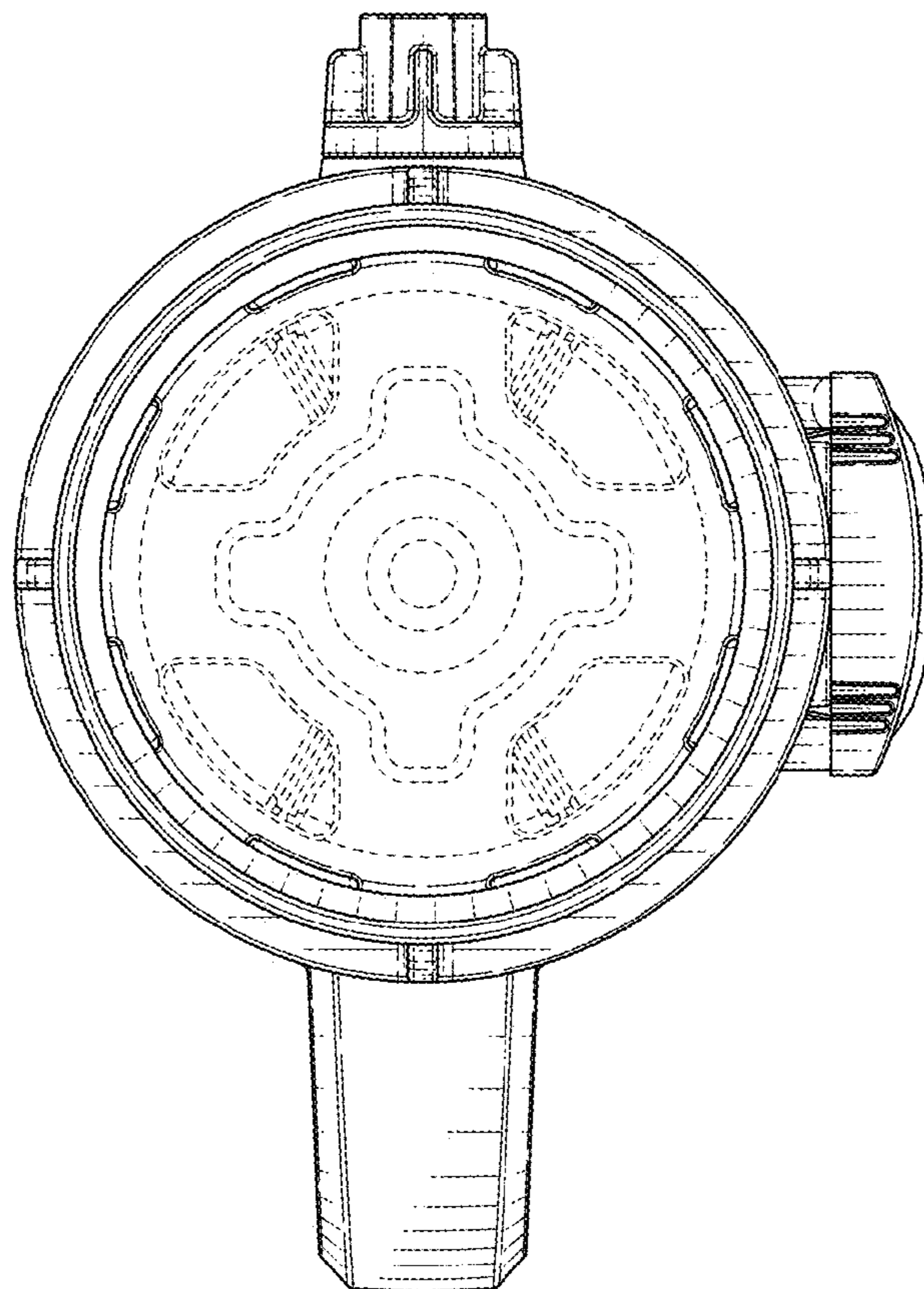


FIG. 7