

US00D944459S

(12) **United States Design Patent** (10) **Patent No.:** **US D944,459 S**
Otani et al. (45) **Date of Patent:** **** *Feb. 22, 2022**

(54) **LIPSTICK CASE**

D298,472 S * 11/1988 Simonetti D28/85
4,792,251 A * 12/1988 Ryder A45D 40/06

(71) Applicant: **ELC MANAGEMENT LLC**, Melville,
NY (US)

D410,570 S * 6/1999 Lerolle D28/85

(Continued)

(72) Inventors: **Laura Otani**, New York, NY (US);
Maria Portiansky, Brooklyn, NY (US);
Judith Shalva Waletzky, Brooklyn,
NY (US)

FOREIGN PATENT DOCUMENTS

CN 301041244 10/2009
CN 305094943 S 4/2019

(Continued)

(73) Assignee: **ELG MANAGEMENT LLC**, Melville,
NY (US)

OTHER PUBLICATIONS

(*) Notice: This patent is subject to a terminal dis-
claimer.

Pure Color Desire Rouge Excess Creme Lipstick, Estee Lauder,
reviewed on Nov. 2, 2018, retrieved on Apr. 14, 2021, retrieved
from the Internet URL: <https://www.nordstrom.com/s/estee-lauder-pure-color-desire-rouge-excess-creme-lipstick-nordstrom-exclusive/5034033>.*

(**) Term: **15 Years**

(21) Appl. No.: **29/705,027**

(22) Filed: **Sep. 9, 2019**

Primary Examiner — Jennifer Rivard
Assistant Examiner — Alison M Ofstun

(30) **Foreign Application Priority Data**

Sep. 6, 2019 (EM) 006833133-0005

(74) *Attorney, Agent, or Firm* — Yonggang Wu

(51) **LOC (13) Cl.** **28-03**

(57) **CLAIM**

(52) **U.S. Cl.**

The ornamental design for a lipstick case, as shown and
described.

USPC **D28/85**

DESCRIPTION

(58) **Field of Classification Search**

USPC D28/4, 64.3, 73, 76, 77, 85-90, 99;
D9/503-504, 500, 529, 574, 575, 686,
D9/723

CPC A45D 33/22; A45D 33/24; A45D 33/28;
A45D 40/00; A45D 40/20; A45D 40/24;
A45D 34/00; A45D 34/04; A45D 34/06;
A45D 34/041; A45D 40/02; A45D 40/06;
A45D 40/18; A45D 40/262; A45D 40/16

See application file for complete search history.

FIG. 1 is a top front perspective view of a lipstick case
showing the claimed design;
FIG. 2 is a bottom rear perspective view thereof;
FIG. 3 is a front view thereof;
FIG. 4 is a rear view thereof;
FIG. 5 is a right view thereof;
FIG. 6 is a left view thereof;
FIG. 7 is a top view thereof;
FIG. 8 is a bottom view thereof; and,
FIG. 9 is an exploded view of the lipstick case, as shown in
FIG. 1.

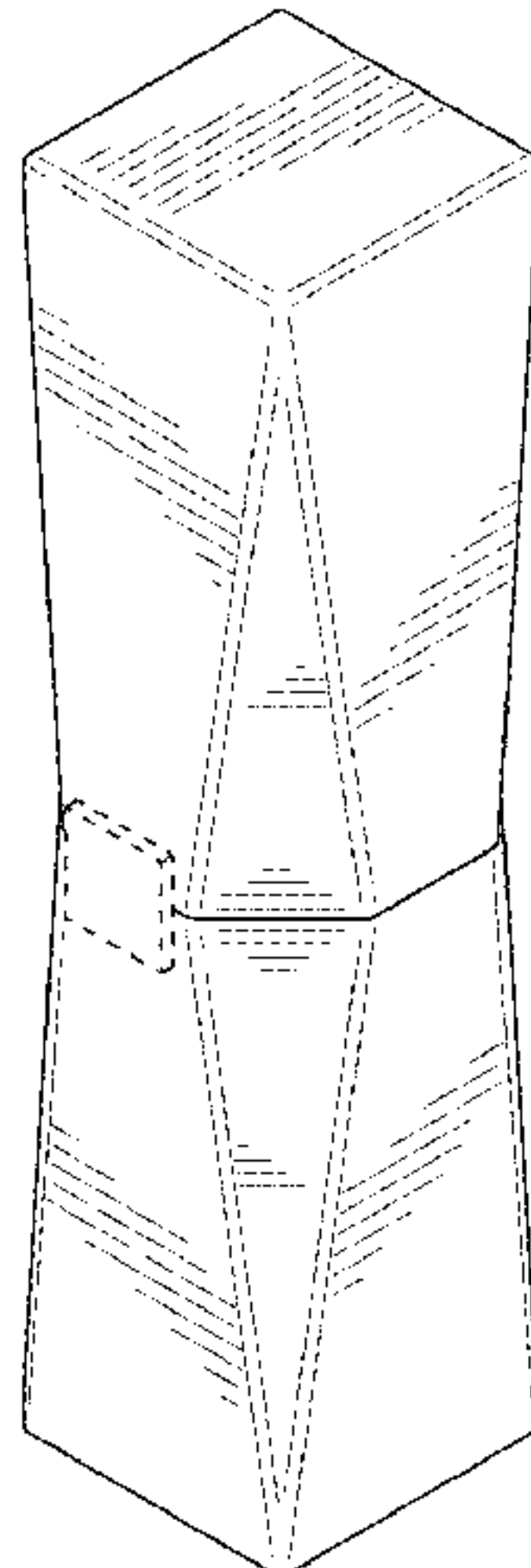
(56) **References Cited**

U.S. PATENT DOCUMENTS

D279,510 S * 7/1985 Kairawicz D28/85
D298,364 S * 11/1988 Simonetti D28/85

The broken lines in the figures show portions of the lipstick
case that form no part of the claimed design.

1 Claim, 4 Drawing Sheets



(56)

References Cited

U.S. PATENT DOCUMENTS

D425,256	S *	5/2000	Gavin	D28/85
D471,324	S *	3/2003	Kalin	D28/77
D501,279	S *	1/2005	Dittmer	D28/85
D539,982	S *	4/2007	Nobuto	D28/76
D564,708	S *	3/2008	Kuo	D28/85
D566,900	S *	4/2008	Dittmer	D28/85
D726,967	S	4/2015	Komai et al.		
D739,606	S *	9/2015	DeMarco Staab	D28/76
D744,166	S	11/2015	Chertoff et al.		
D744,167	S	11/2015	Chertoff et al.		
D744,697	S *	12/2015	Chertoff	D28/76
2010/0108553	A1 *	5/2010	McLaughlin	A45D 40/16 206/385
2013/0015089	A1 *	1/2013	McLaughlin	A45D 40/00 206/385
2013/0075301	A1 *	3/2013	McLaughlin	A45D 40/16 206/581

FOREIGN PATENT DOCUMENTS

CN	305162701	5/2019	
CN	305288153	8/2019	
RU	00088048	2/2014	
WO	WO-2011002265	A2 *	1/2011 A45D 40/065

* cited by examiner

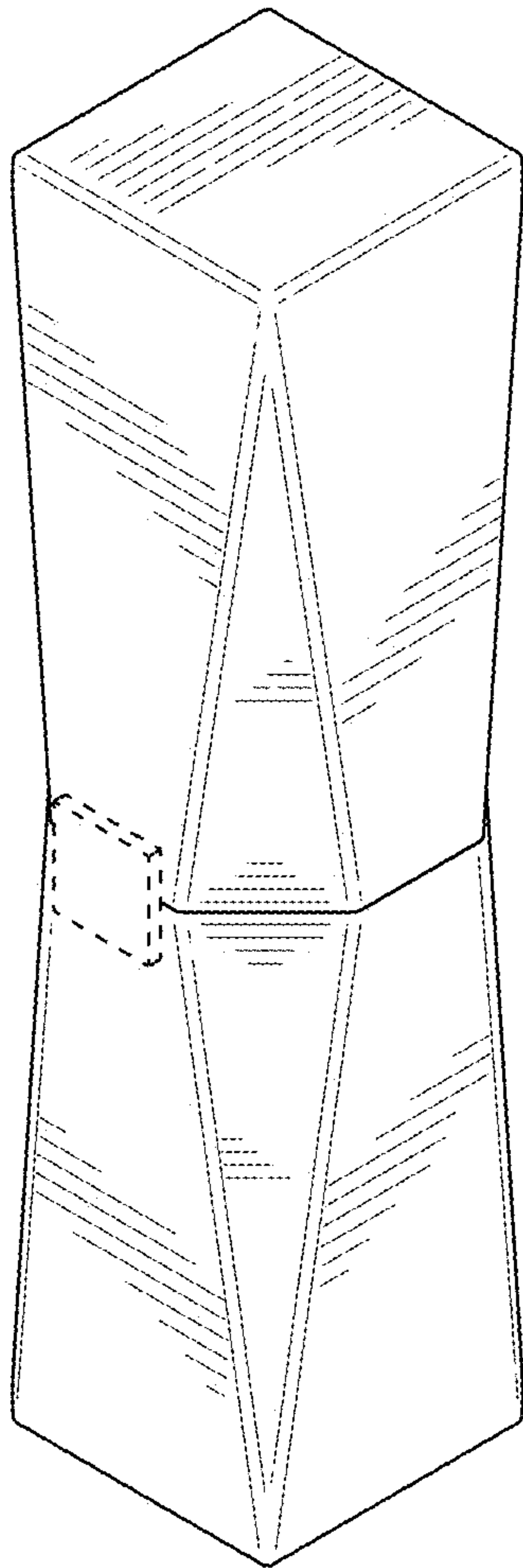


FIG. 1

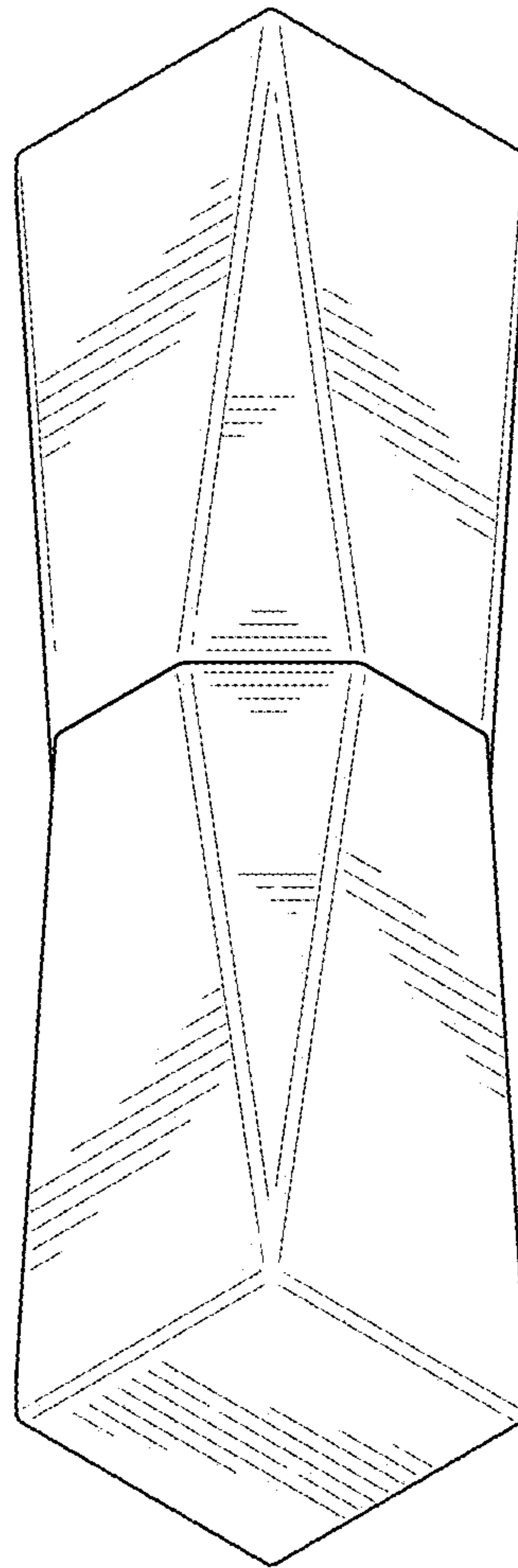


FIG. 2

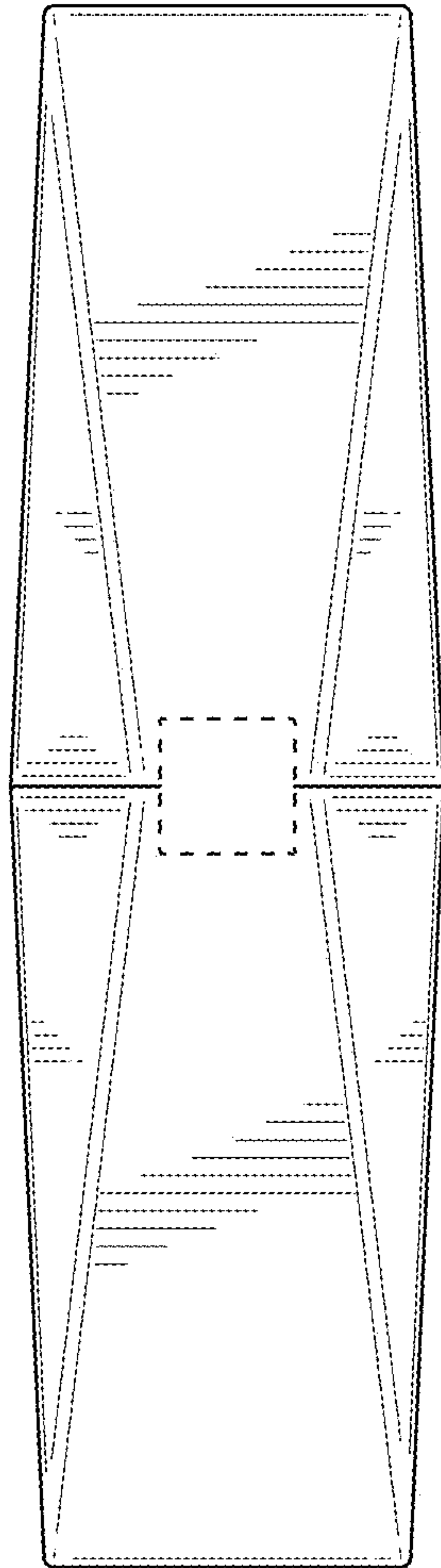


FIG. 3

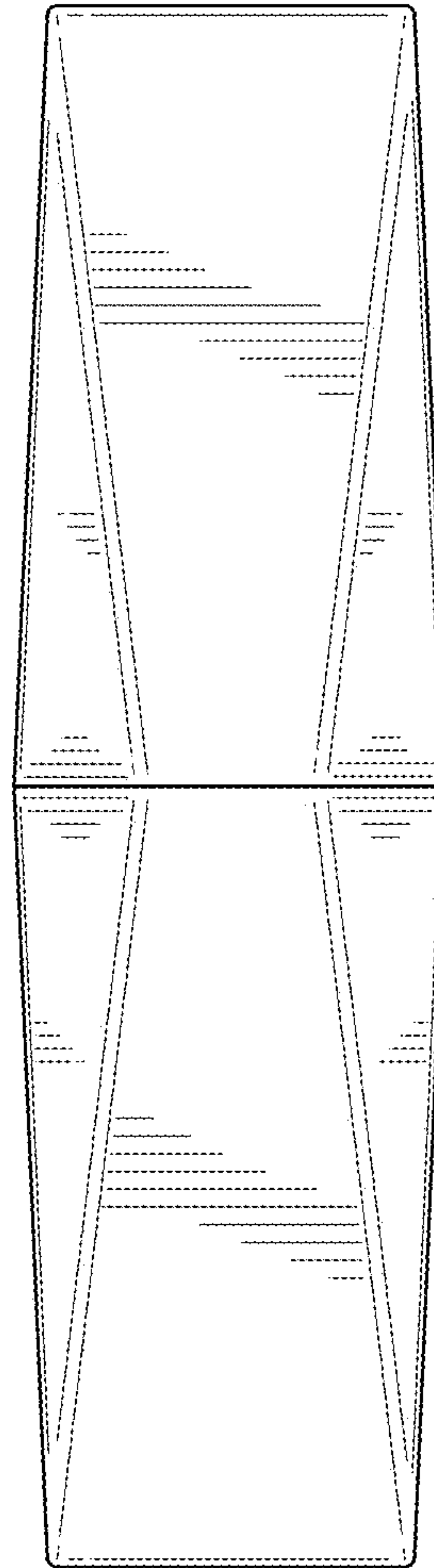


FIG. 4

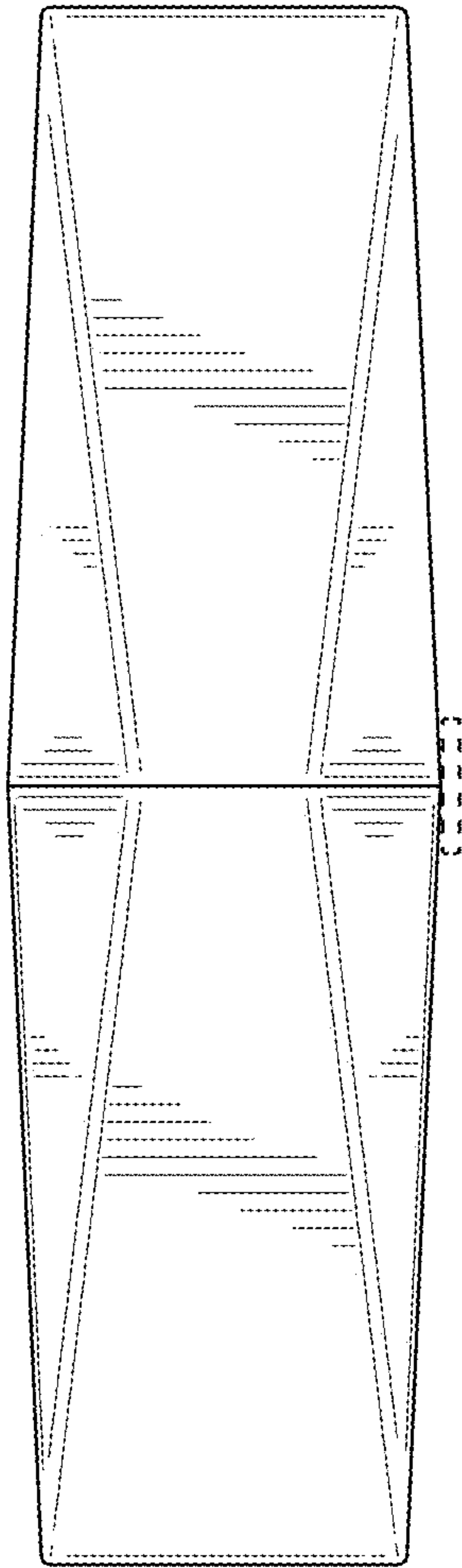


FIG. 5

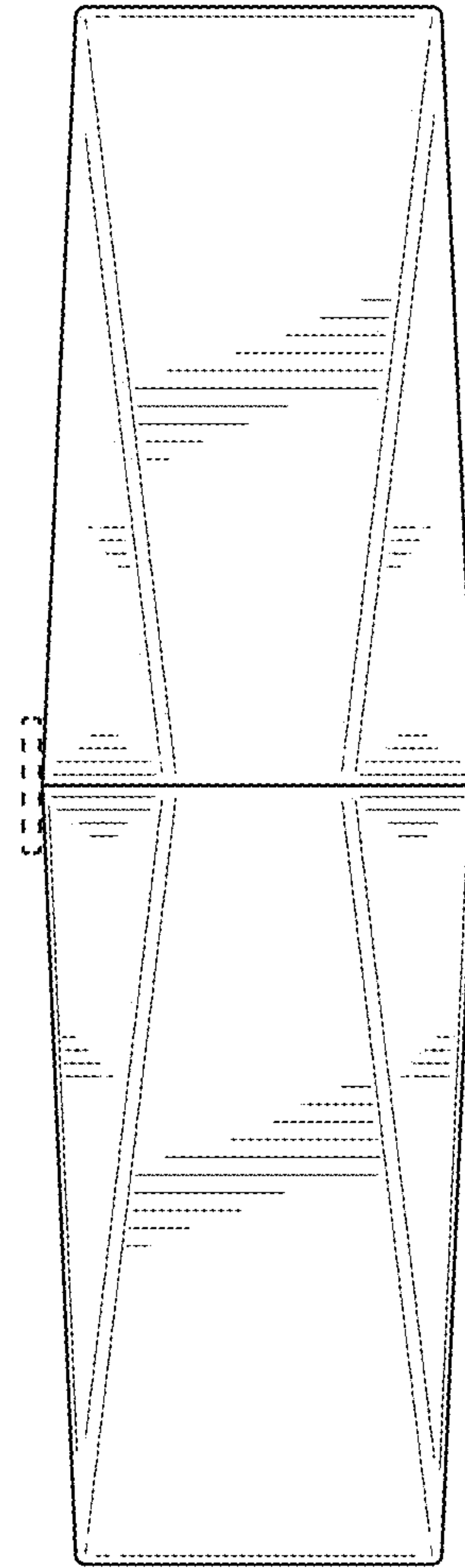


FIG. 6

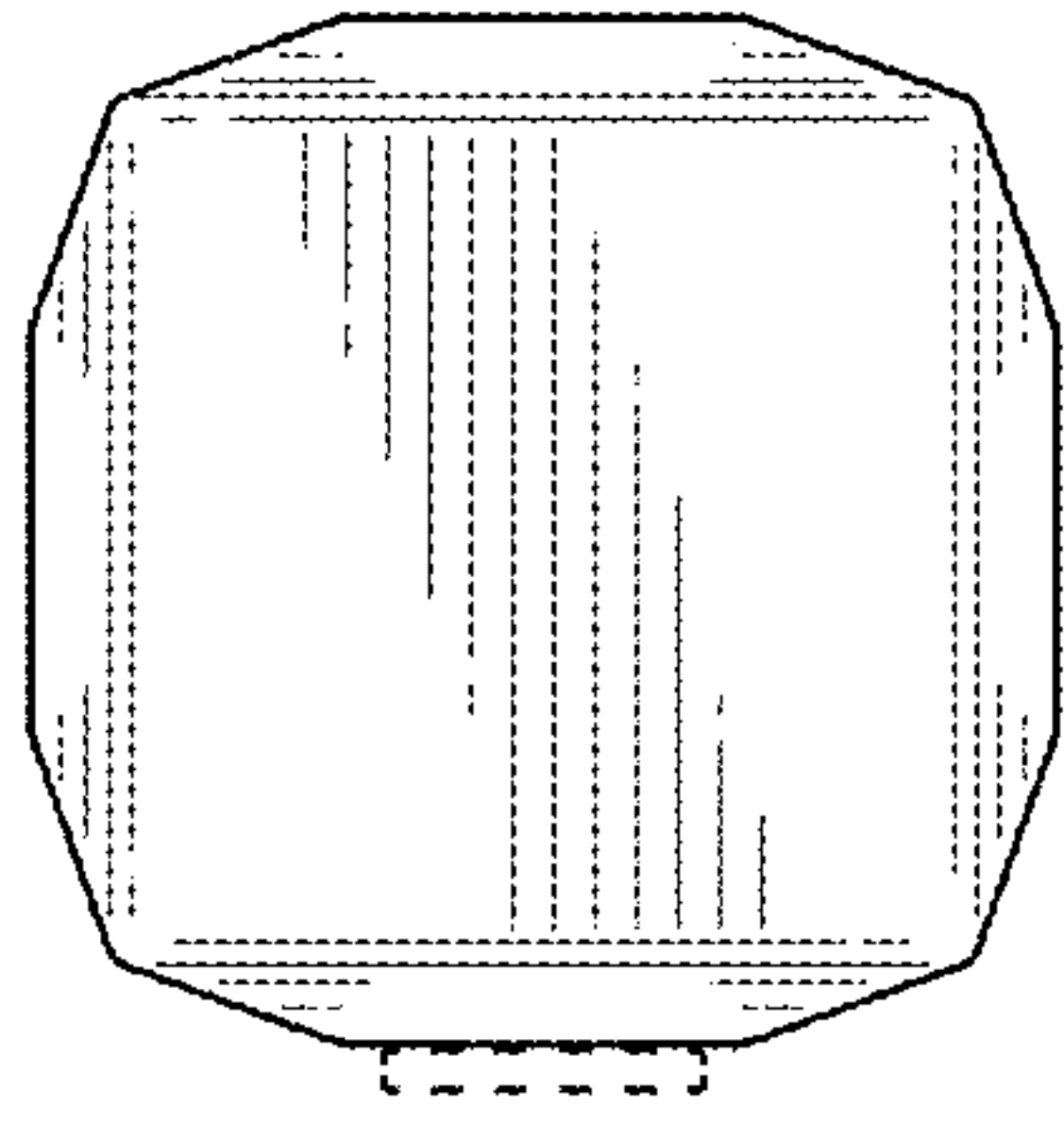


FIG. 7

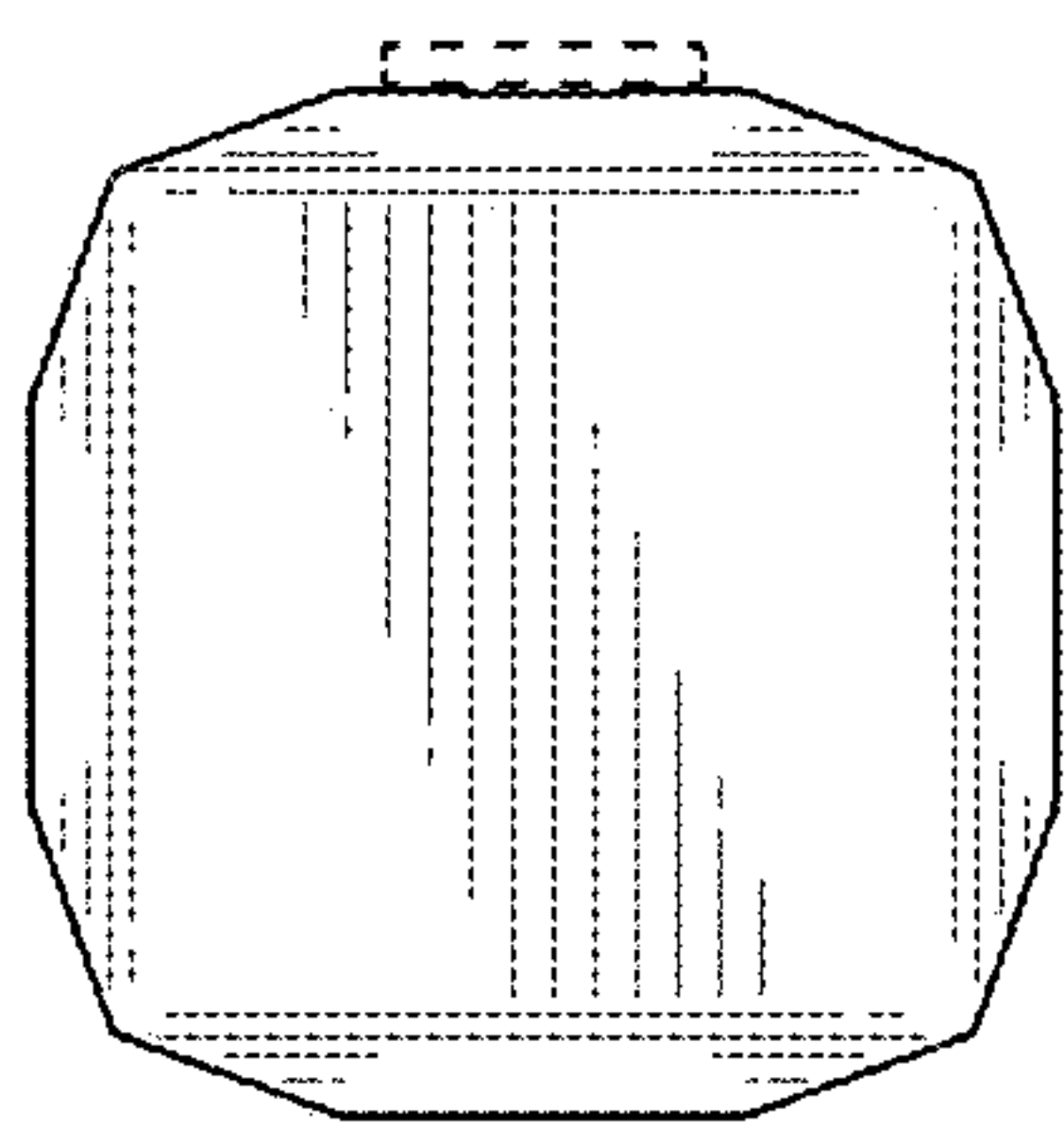


FIG. 8

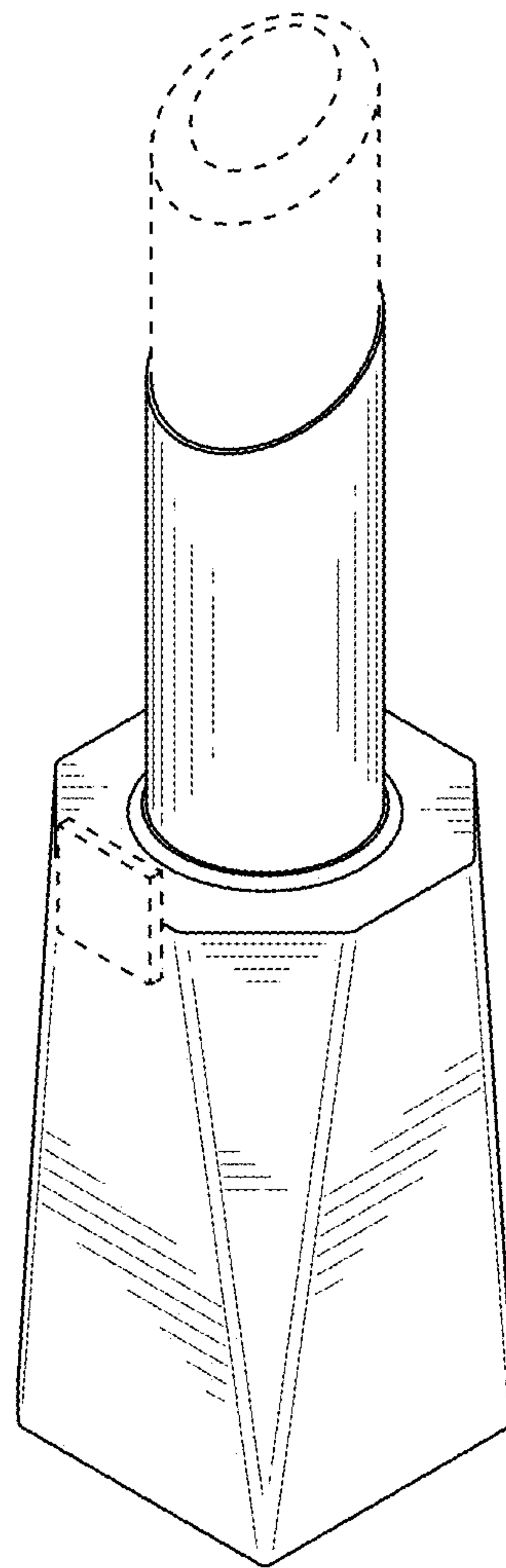
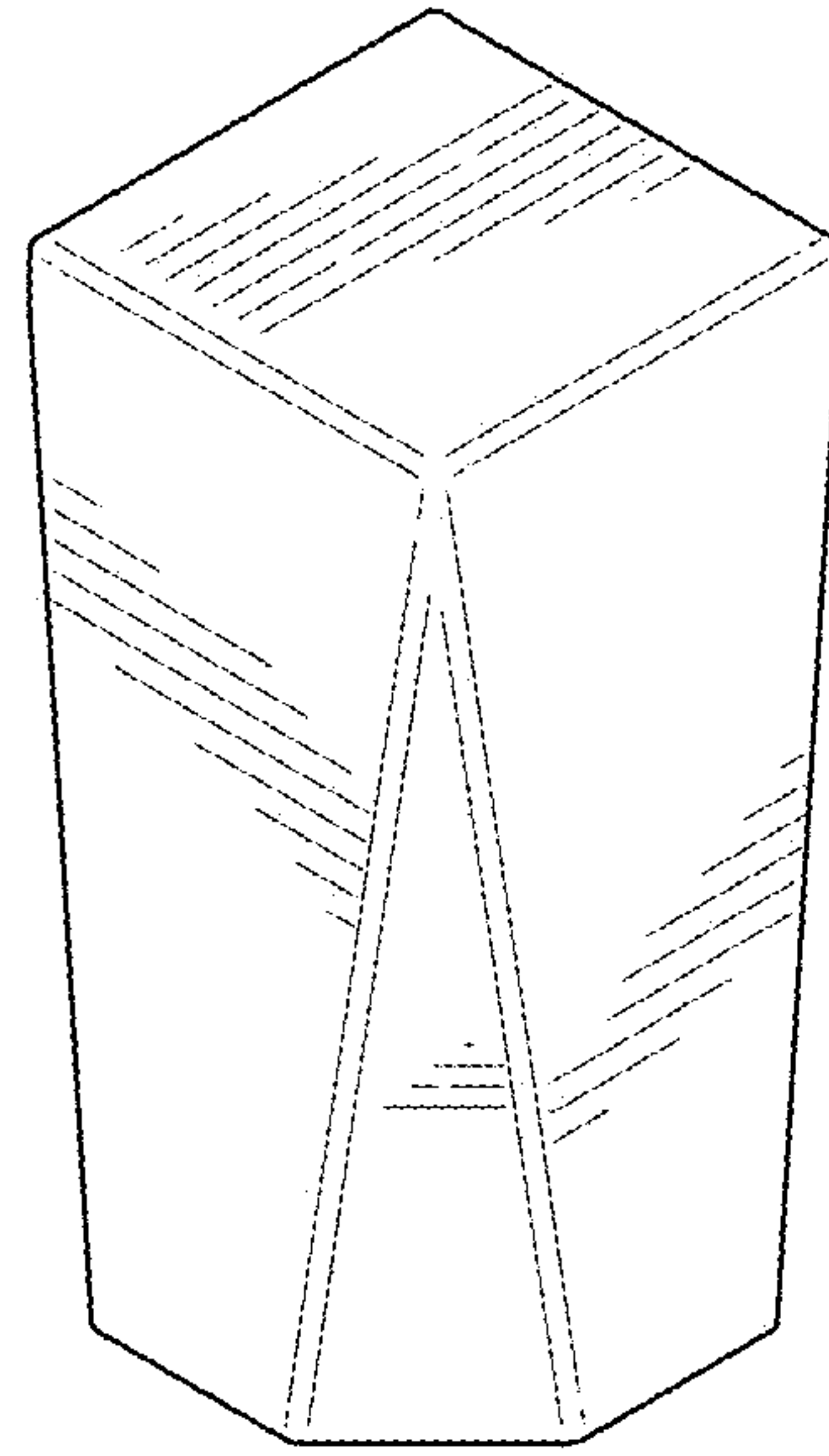


FIG. 9