



US00D944457S

(12) **United States Design Patent** (10) **Patent No.:** **US D944,457 S**  
**Otani et al.** (45) **Date of Patent:** **\*\* \*Feb. 22, 2022**

(54) **LIPSTICK CASE**

D298,472 S \* 11/1988 Simonetti ..... D28/85  
4,792,251 A \* 12/1988 Ryder ..... A45D 40/06

(71) Applicant: **ELC MANAGEMENT LLC**, Melville,  
NY (US)

D410,570 S \* 6/1999 Lerolle ..... D28/85

(Continued)

(72) Inventors: **Laura Otani**, New York, NY (US);  
**Maria Portiansky**, Brooklyn, NY (US);  
**Judith Shalva Waletzky**, Brooklyn,  
NY (US)

**FOREIGN PATENT DOCUMENTS**

CN 301041244 10/2009  
CN 305094943 S 4/2019

(Continued)

(73) Assignee: **ELC MANAGEMENT LLC**, Melville,  
NY (US)

**OTHER PUBLICATIONS**

(\*) Notice: This patent is subject to a terminal dis-  
claimer.

Pure Color Desire Rouge Excess Creme Lipstick, Estee Lauder,  
reviewed on Nov. 2, 2018, retrieved on Apr. 14, 2021, retrieved  
from the Internet URL: <https://www.nordstrom.com/s/estee-lauder-pure-color-desire-rouge-excess-creme-lipstick-nordstrom-exclusive/5034033>.\*

(\*\*) Term: **15 Years**

(21) Appl. No.: **29/705,023**

*Primary Examiner* — Jennifer Rivard

*Assistant Examiner* — Alison M Ofstun

(22) Filed: **Sep. 9, 2019**

(74) *Attorney, Agent, or Firm* — Yonggang Wu

(30) **Foreign Application Priority Data**

Sep. 6, 2019 (EM) ..... 006833133-0003

(57) **CLAIM**

(51) **LOC (13) Cl.** ..... **28-03**

The ornamental design for a lipstick case, as shown and  
described.

(52) **U.S. Cl.**

USPC ..... **D28/85**

**DESCRIPTION**

(58) **Field of Classification Search**

USPC ..... D28/4, 64.3, 73, 76, 77, 85-90, 99;  
D9/503-504, 500, 529, 574, 575, 686,  
D9/723

CPC ..... A45D 33/22; A45D 33/24; A45D 33/28;  
A45D 40/00; A45D 40/20; A45D 40/24;  
A45D 34/00; A45D 34/04; A45D 34/06;  
A45D 34/041; A45D 40/02; A45D 40/06;  
A45D 40/18; A45D 40/262; A45D 40/16

See application file for complete search history.

FIG. 1 is a top front perspective view of a lipstick case  
showing the claimed design;  
FIG. 2 is a bottom rear perspective view thereof;  
FIG. 3 is a front view thereof;  
FIG. 4 is a rear view thereof;  
FIG. 5 is a right view thereof;  
FIG. 6 is a left view thereof;  
FIG. 7 is a top view thereof;  
FIG. 8 is a bottom view thereof; and,  
FIG. 9 is an exploded view of the lipstick case, as shown in  
FIG. 1.

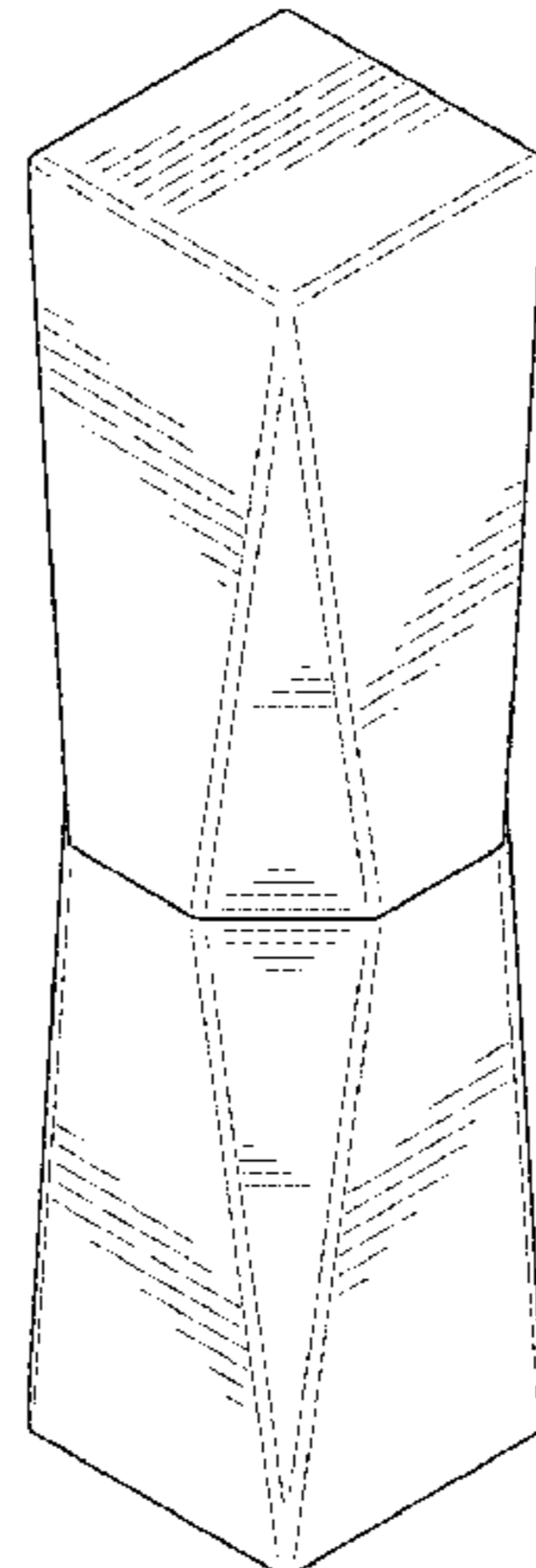
(56) **References Cited**

**U.S. PATENT DOCUMENTS**

D279,510 S \* 7/1985 Kairawicz ..... D28/85  
D298,364 S \* 11/1988 Simonetti ..... D28/85

The broken lines in the figures show portions of the lipstick  
case that form no part of the claimed design.

**1 Claim, 4 Drawing Sheets**



(56)

**References Cited**

U.S. PATENT DOCUMENTS

D425,256	S *	5/2000	Gavin	.....	D28/85
D471,324	S *	3/2003	Kalin	.....	D28/77
D501,279	S *	1/2005	Dittmer	.....	D28/85
D539,982	S *	4/2007	Nobuto	.....	D28/76
D564,708	S *	3/2008	Kuo	.....	D28/85
D566,900	S *	4/2008	Dittmer	.....	D28/85
D726,967	S	4/2015	Komai et al.		
D739,606	S *	9/2015	DeMarco Staab	.....	D28/76
D744,166	S	11/2015	Chertoff et al.		
D744,167	S	11/2015	Chertoff et al.		
D744,697	S *	12/2015	Chertoff	.....	D28/76
2010/0108553	A1 *	5/2010	McLaughlin	.....	A45D 40/16 206/385
2013/0015089	A1 *	1/2013	McLaughlin	.....	A45D 40/00 206/385
2013/0075301	A1 *	3/2013	McLaughlin	.....	A45D 40/16 206/581

FOREIGN PATENT DOCUMENTS

CN	305162701	5/2019	
CN	305288153	8/2019	
RU	00088048	2/2014	
WO	WO-2011002265	A2 *	1/2011 ..... A45D 40/065

\* cited by examiner

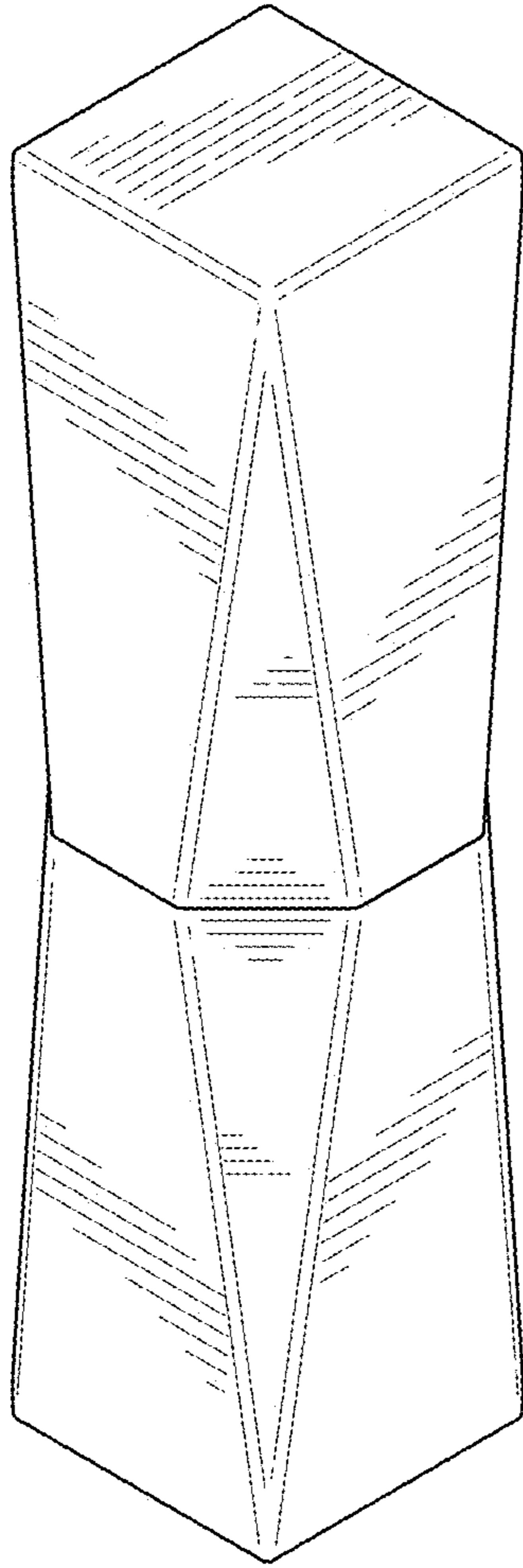


FIG. 1

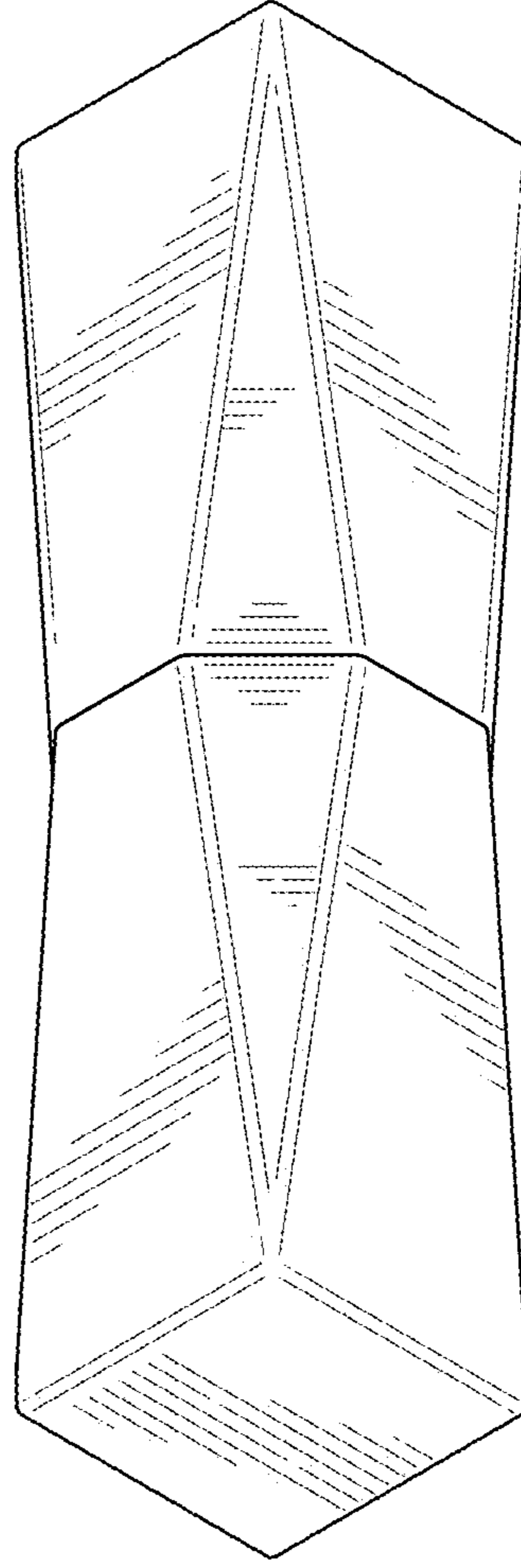


FIG. 2

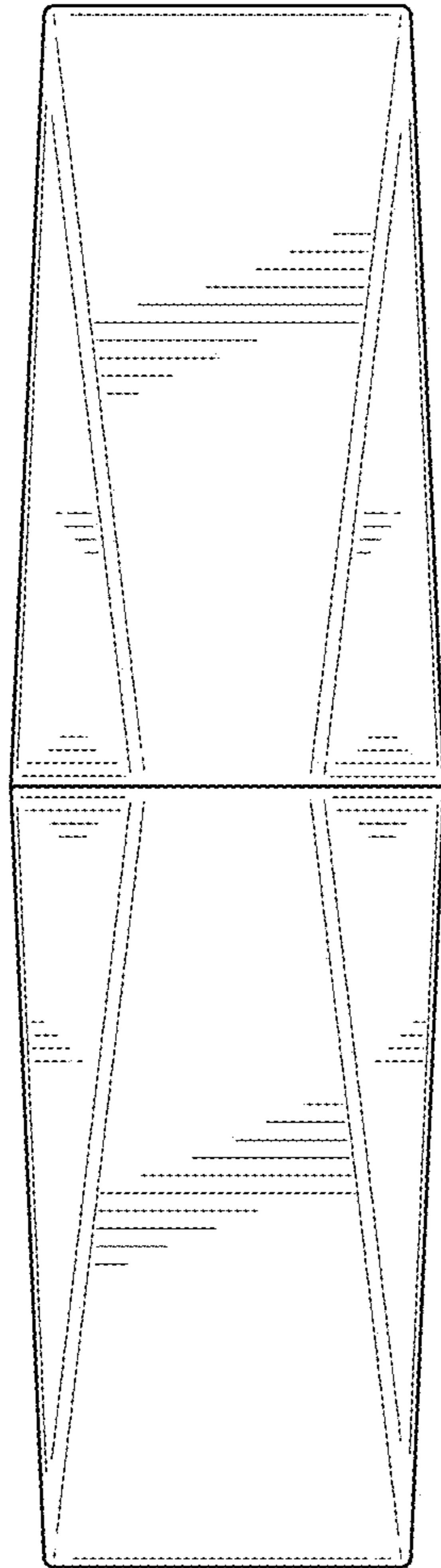


FIG. 3

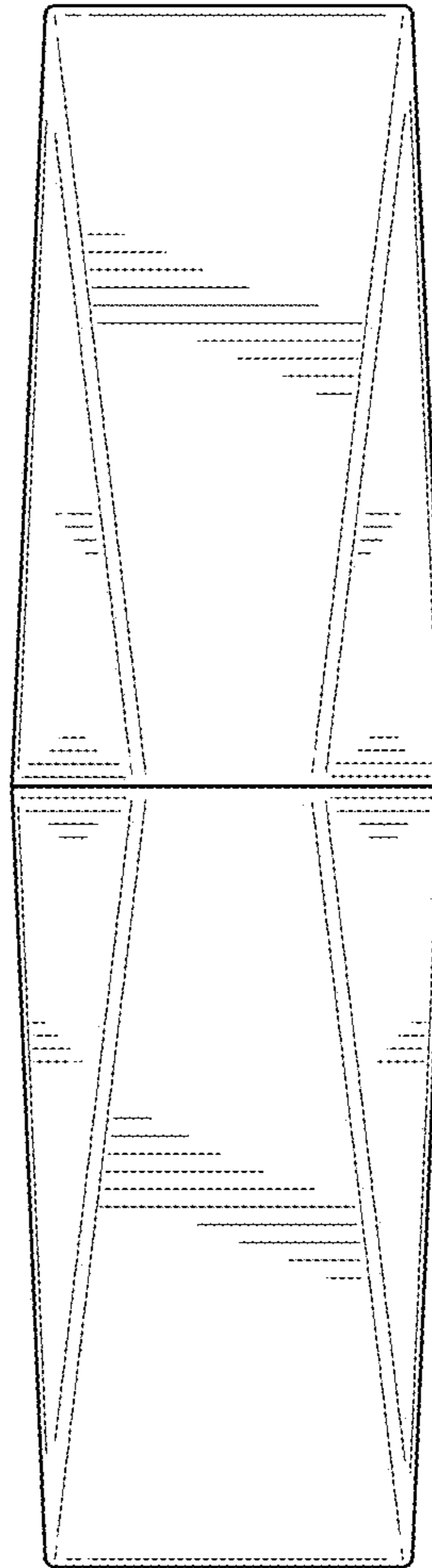


FIG. 4

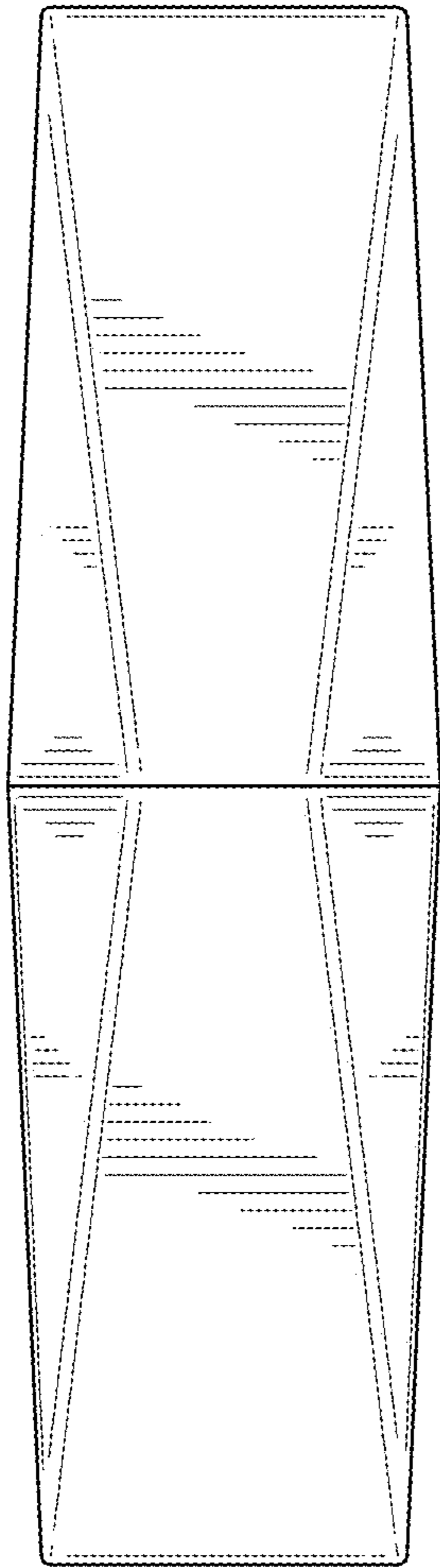


FIG. 5

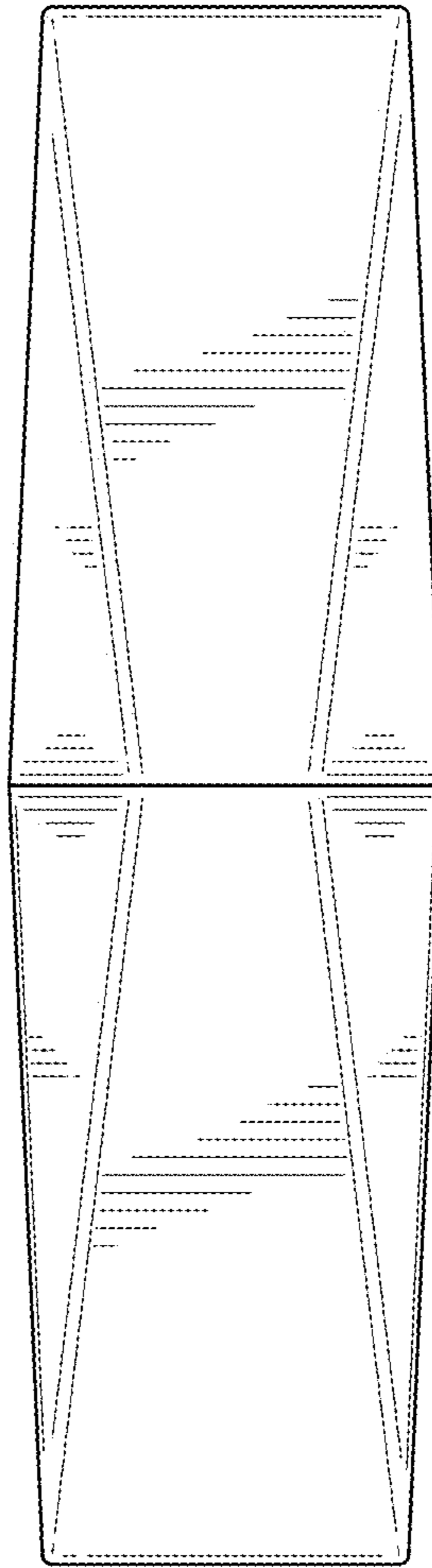


FIG. 6

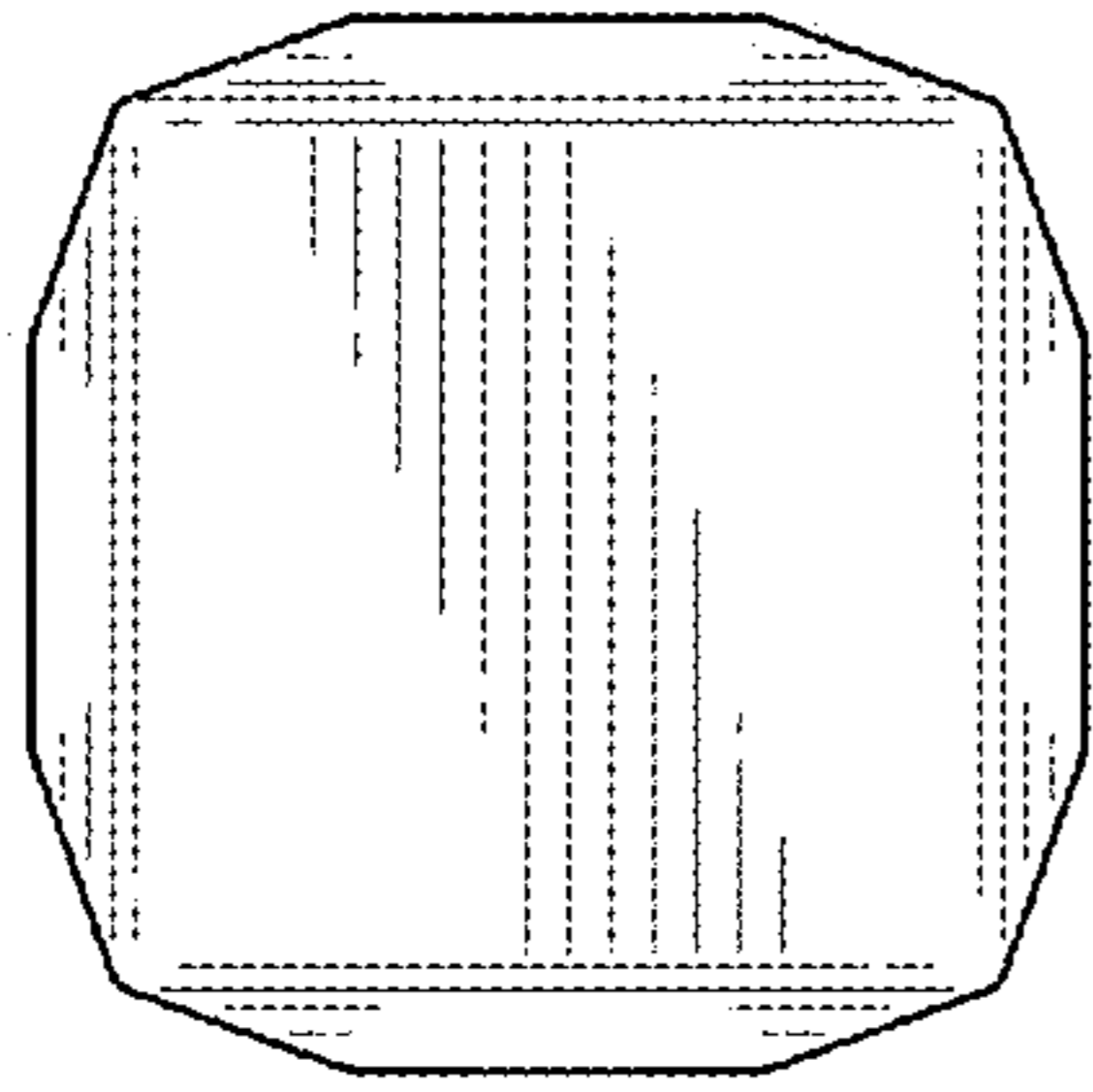


FIG. 7

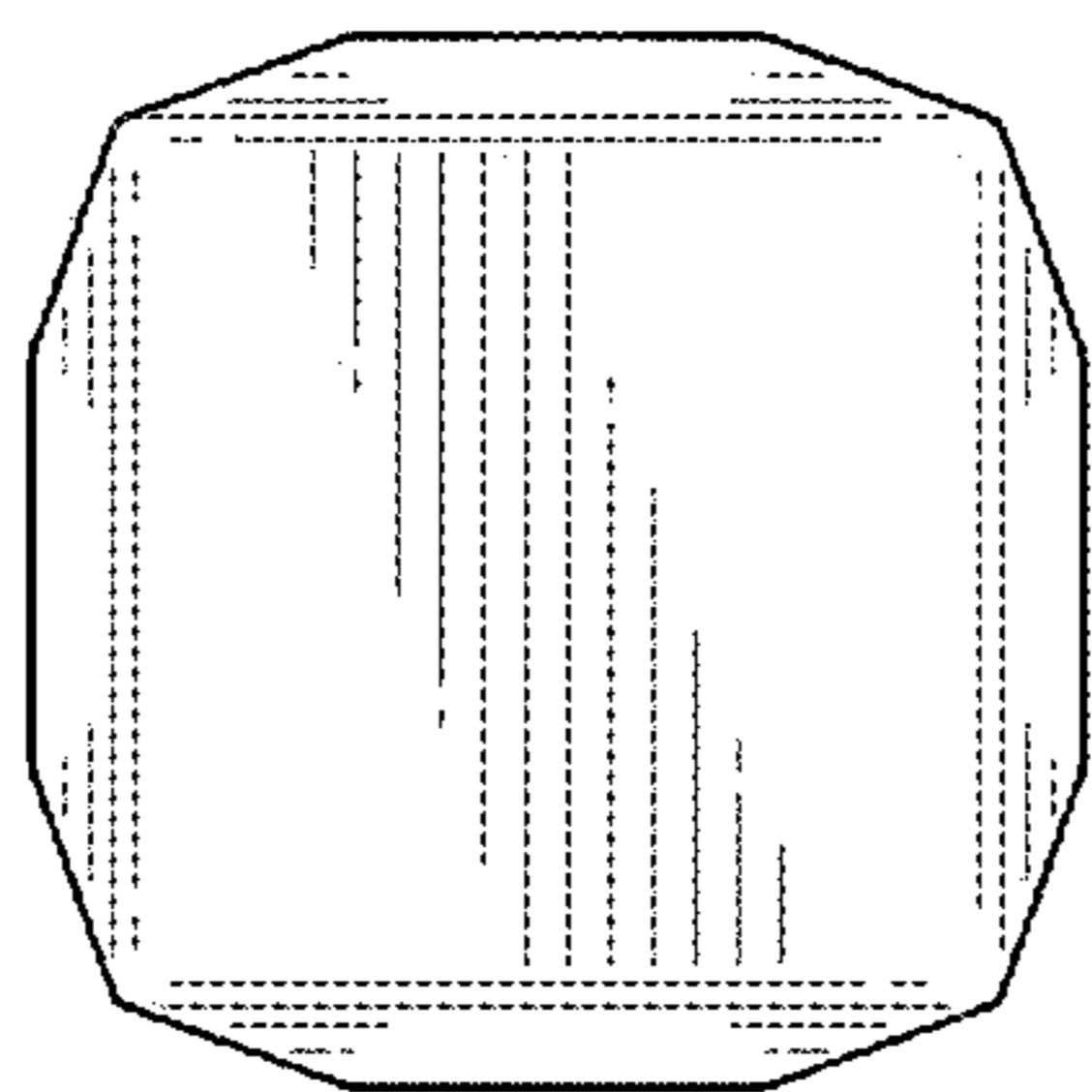


FIG. 8

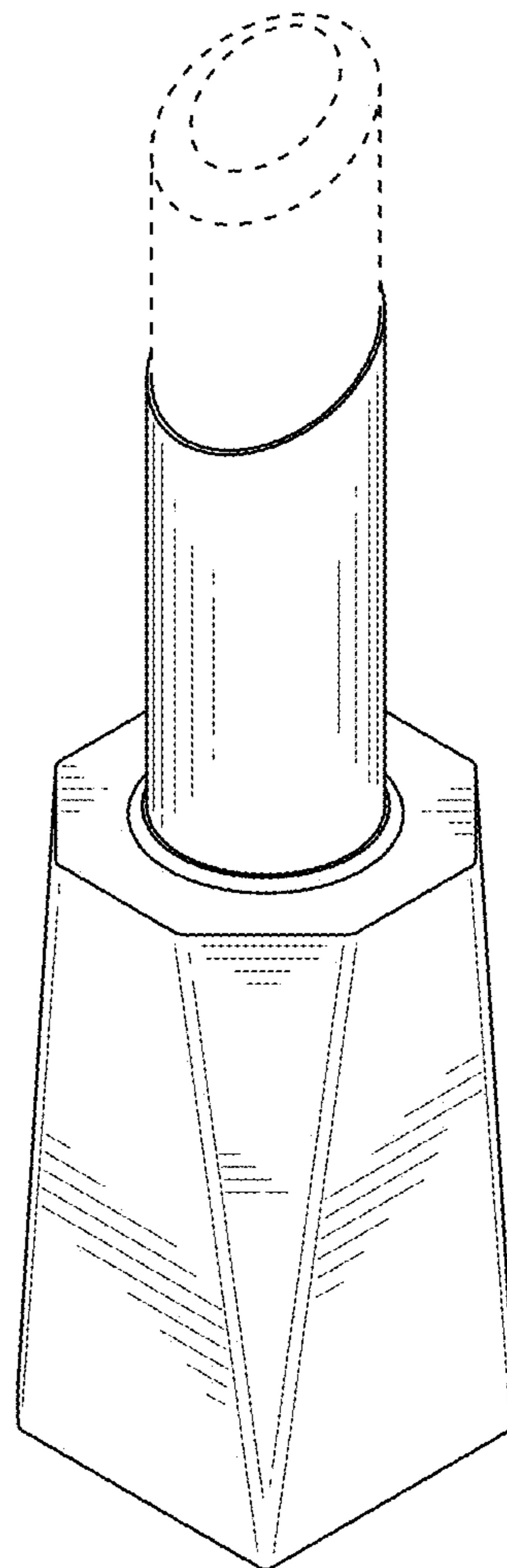
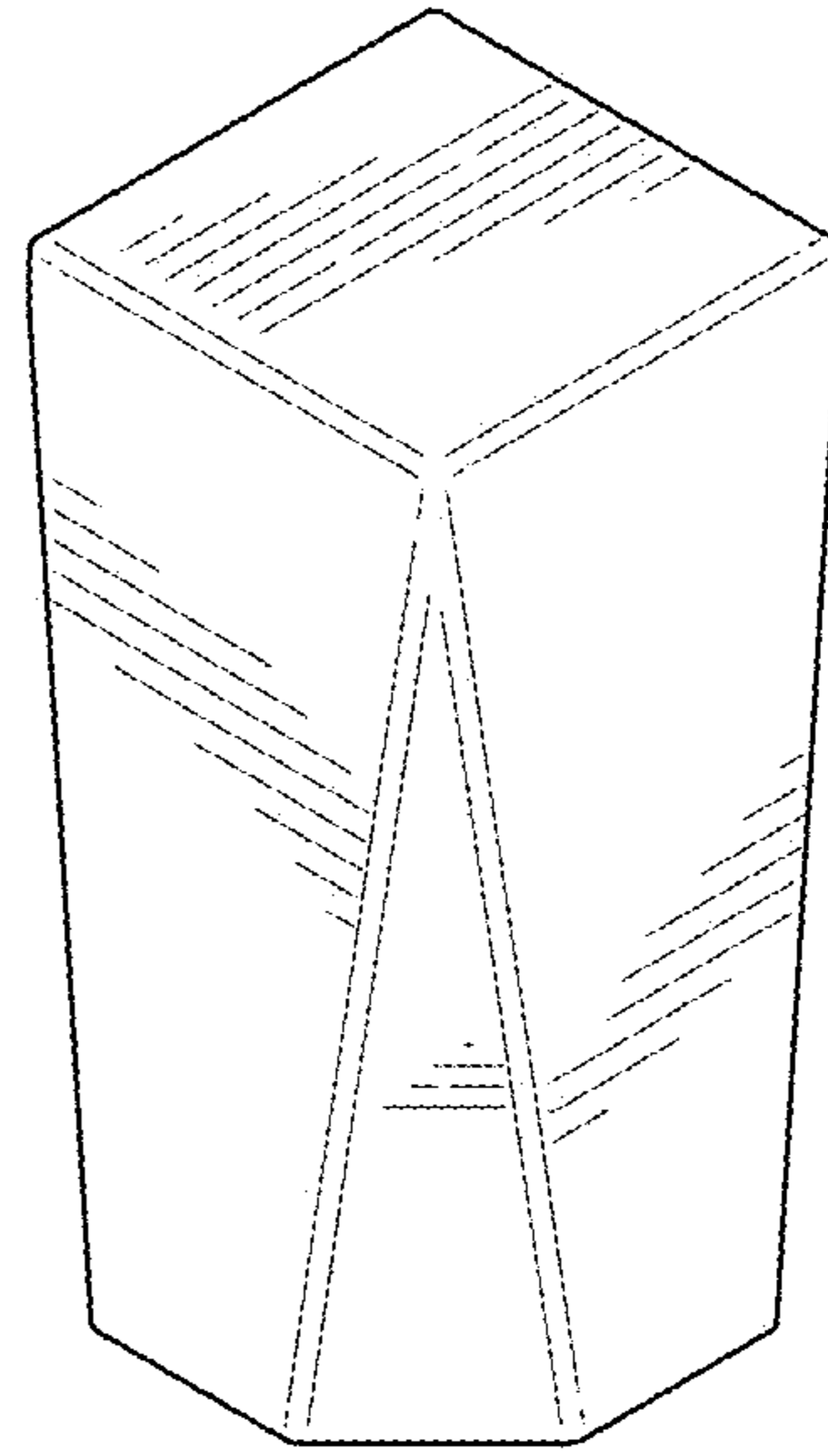


FIG. 9