



US00D944454S

(12) **United States Design Patent** (10) **Patent No.:** **US D944,454 S**
Bai (45) **Date of Patent:** **** Feb. 22, 2022**

(54) **HAND DRYER**
(71) Applicant: **GOOD WIND CO., LIMITED,**
Hongkong (CN)
(72) Inventor: **Jiyong Bai,** Shenzhen (CN)
(73) Assignee: **GOOD WIND CO., LIMITED,**
Hongkong (CN)

(**) Term: **15 Years**

(21) Appl. No.: **29/727,585**

(22) Filed: **Mar. 11, 2020**

(51) **LOC (13) Cl.** **28-03**

(52) **U.S. Cl.**
USPC **D28/54.1**

(58) **Field of Classification Search**
USPC D28/12, 54.1, 58; D23/357, 361, 385
CPC F26B 21/004; A45D 20/00; A47K 10/48;
B05B 1/04
See application file for complete search history.

(56) **References Cited**

U.S. PATENT DOCUMENTS

D309,195 S * 7/1990 Pilolla D28/54.1
D425,253 S * 5/2000 Ayre D28/54.1

D438,344 S * 2/2001 Curzon D28/54.1
D451,247 S * 11/2001 Khalaj D28/54.1
D473,017 S * 4/2003 Ying D28/54.1
D492,447 S * 6/2004 Mills D28/54.1
D532,552 S * 11/2006 Hsu D28/54.1
D580,596 S * 11/2008 Hsu D28/54.1
D685,949 S * 7/2013 Valia D28/58
D777,981 S * 1/2017 Oh D28/58
D780,995 S * 3/2017 Ayre D28/54.1
D780,996 S * 3/2017 Ayre D28/54.1

* cited by examiner

Primary Examiner — Zenia I Bennett

(74) *Attorney, Agent, or Firm* — Cheng-Ju Chiang

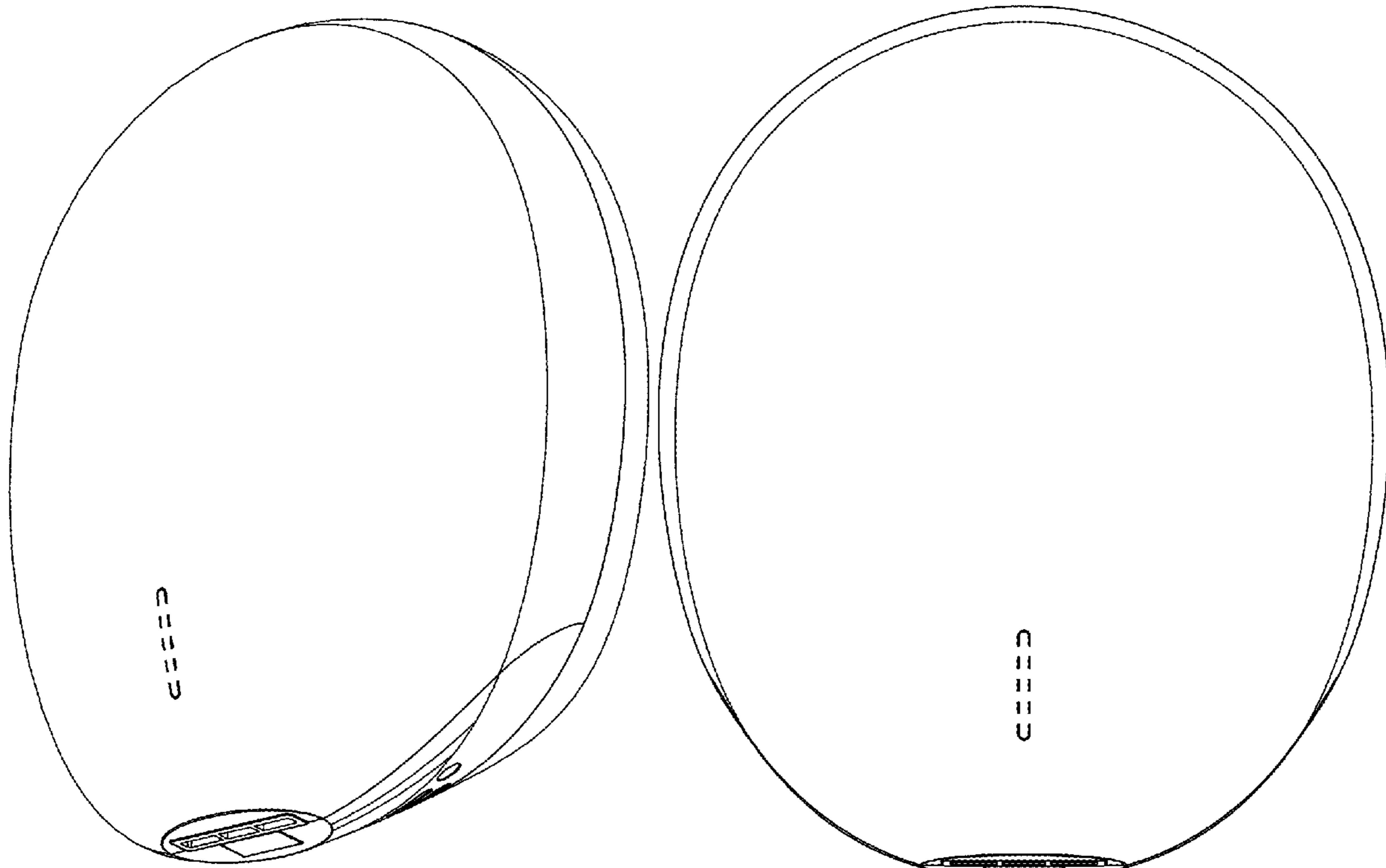
(57) **CLAIM**

The ornamental design for a hand dryer, as shown and described.

DESCRIPTION

FIG. 1 is a front-right perspective view of a hand dryer, showing my new design;
FIG. 2 is a front view thereof;
FIG. 3 is a rear view thereof;
FIG. 4 is a left view thereof;
FIG. 5 is a right view thereof;
FIG. 6 is a bottom view thereof; and,
FIG. 7 is a top view thereof.
The broken lines in the figures show portions of the hand dryer that form no part of the claimed design.

1 Claim, 7 Drawing Sheets



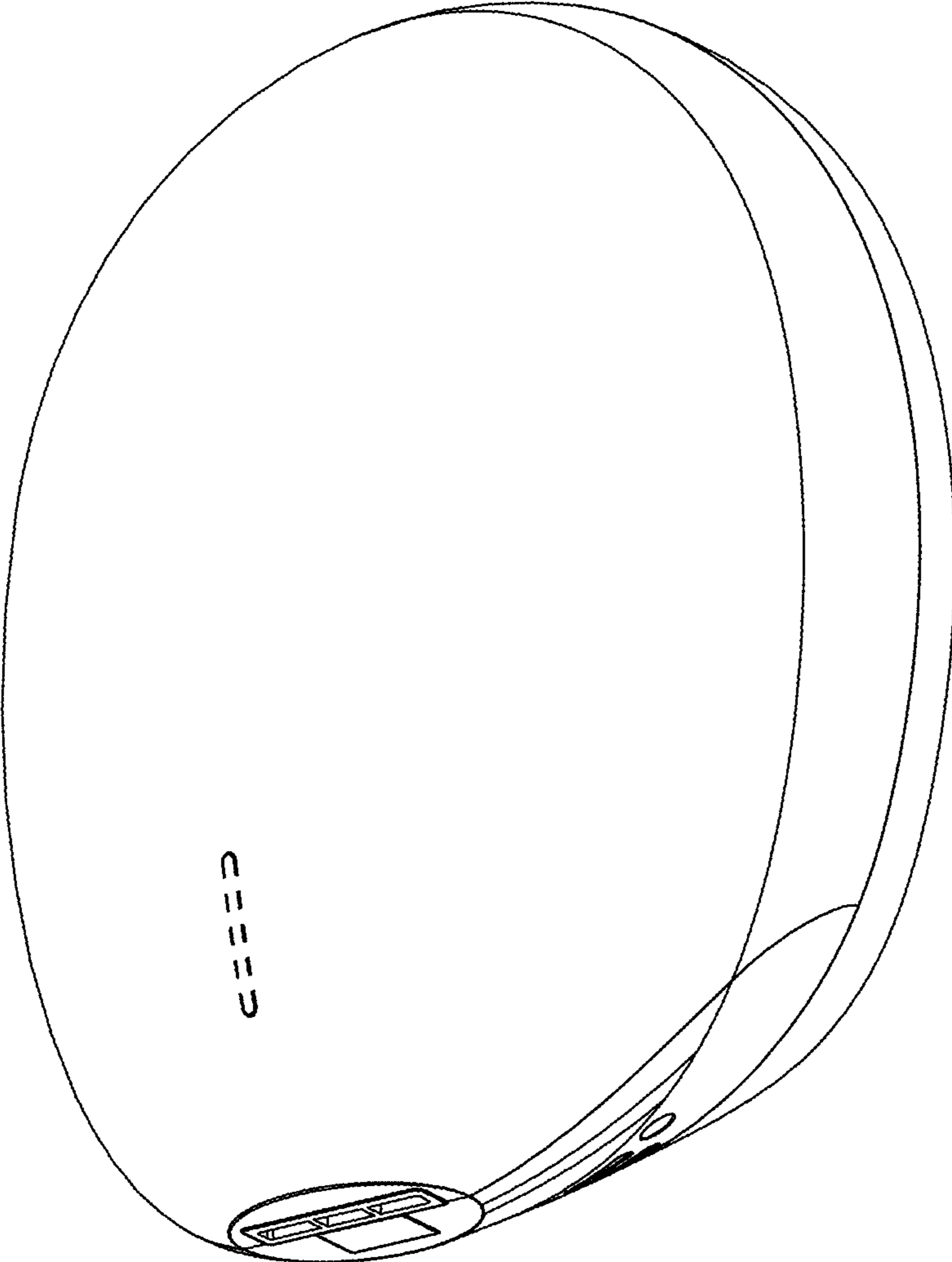


FIG. 1

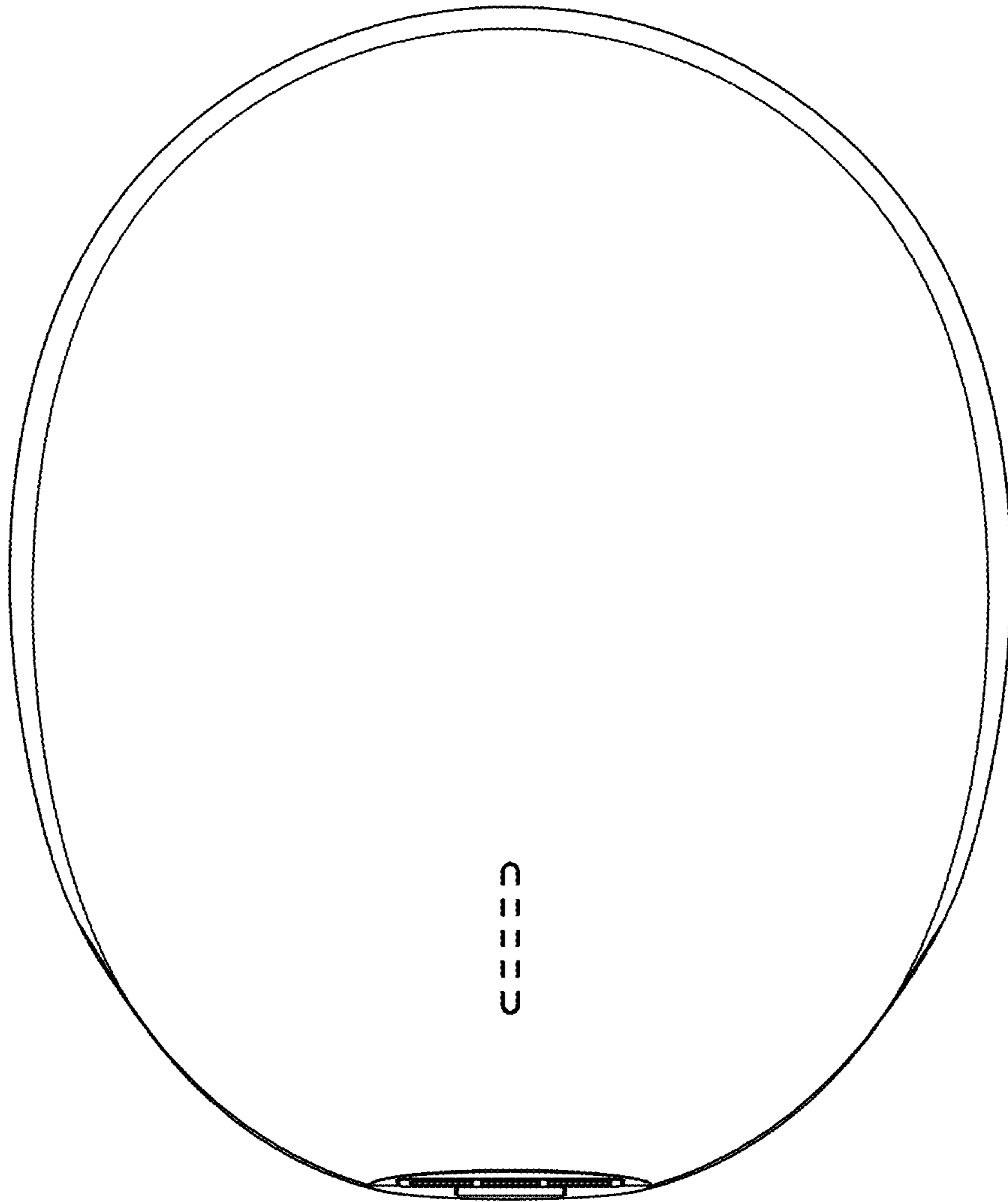


FIG. 2

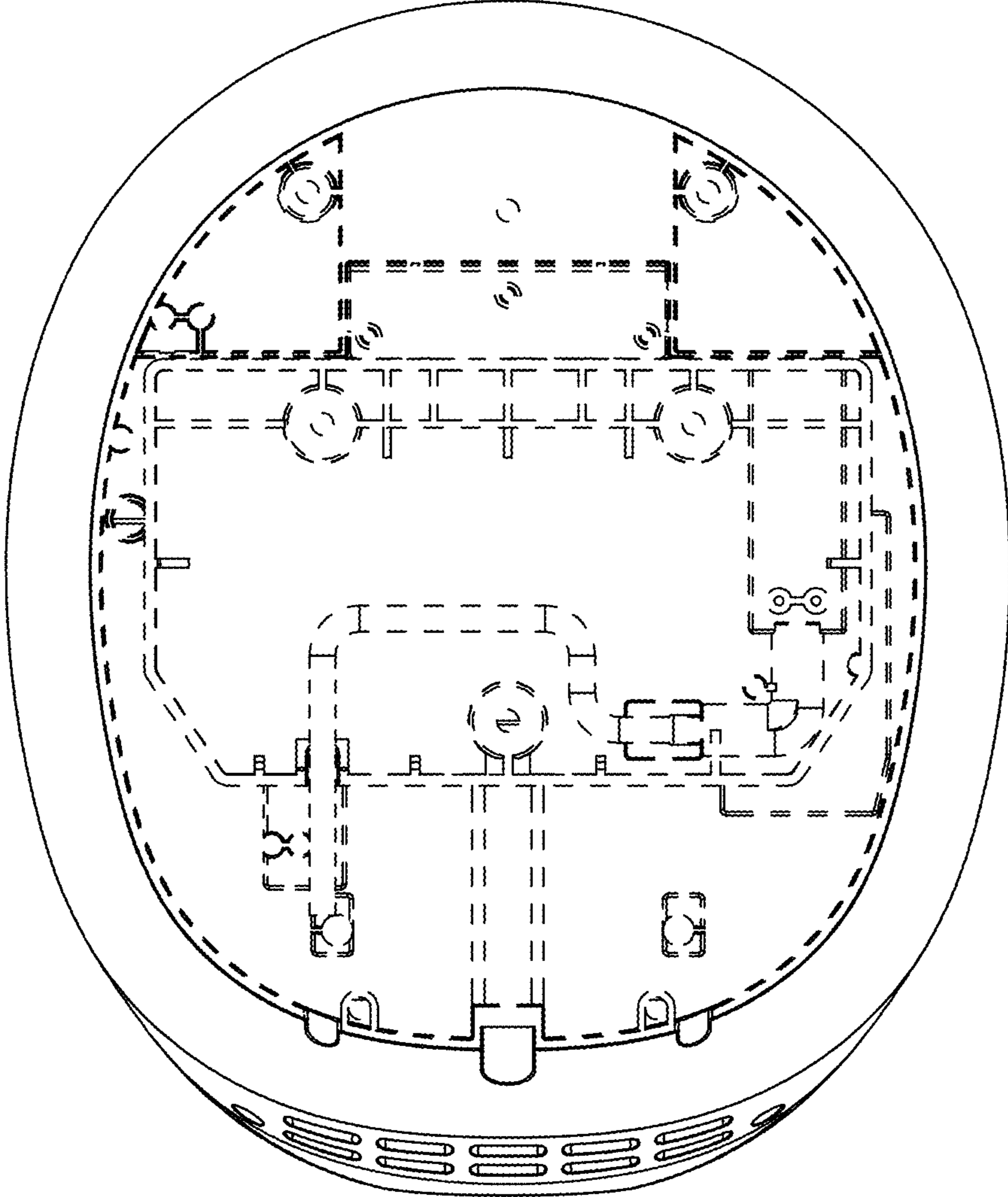


FIG. 3

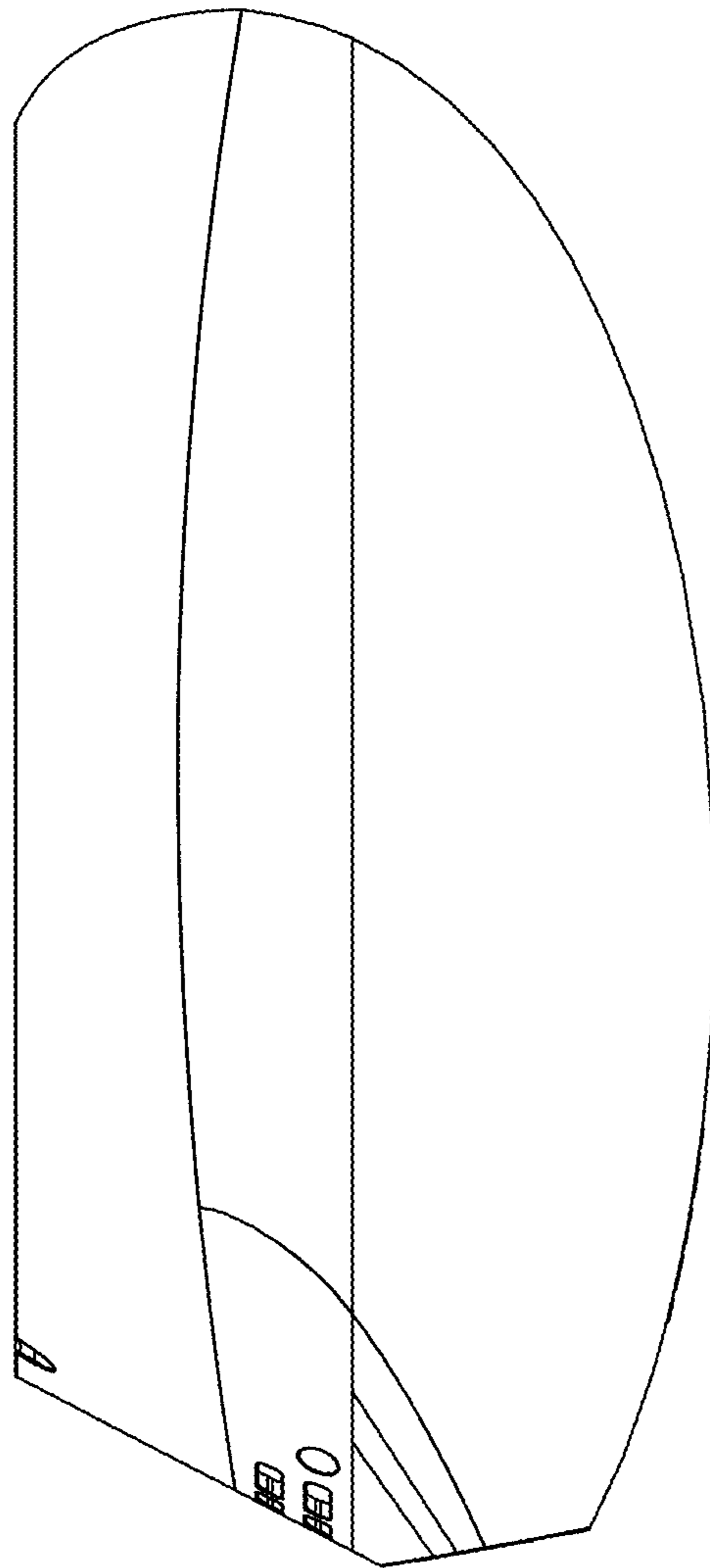


FIG. 4

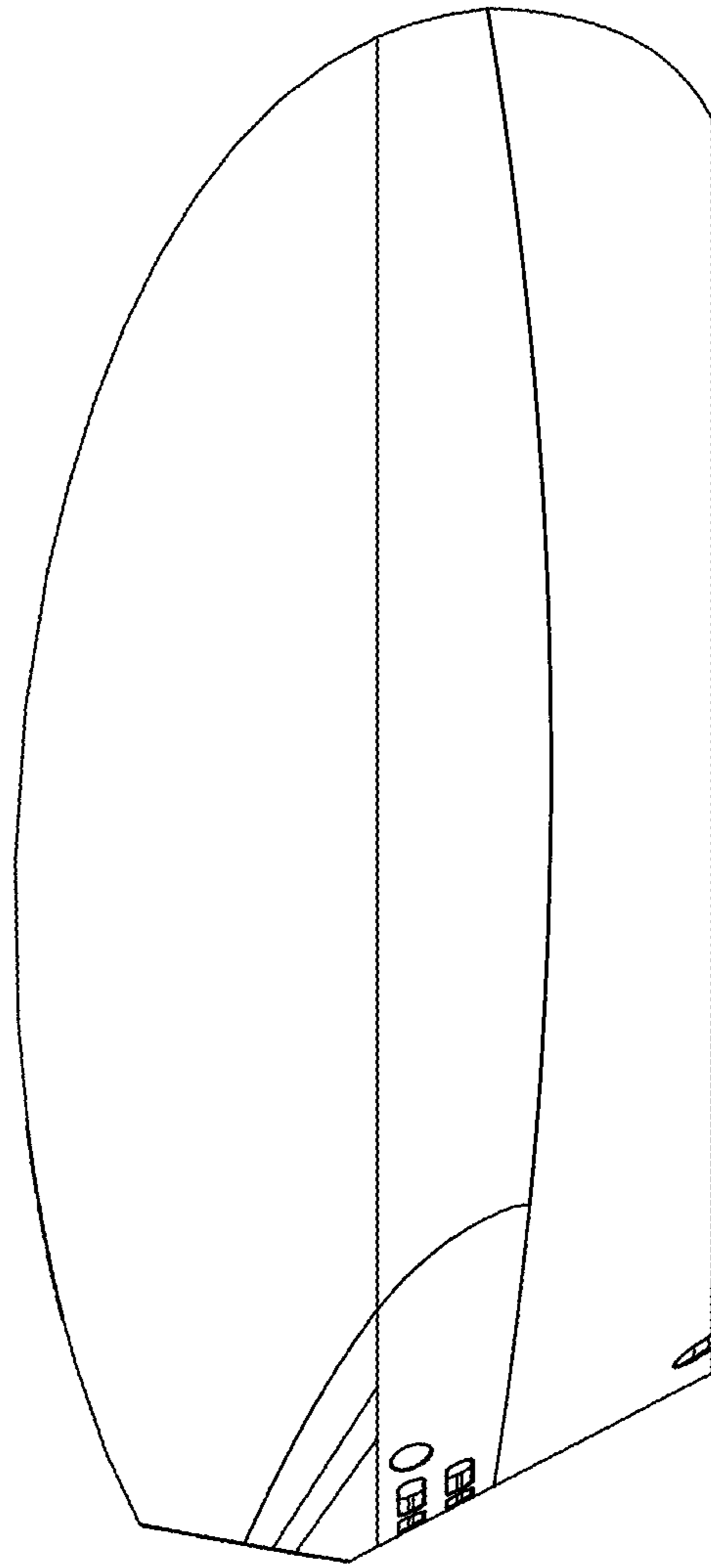


FIG. 5

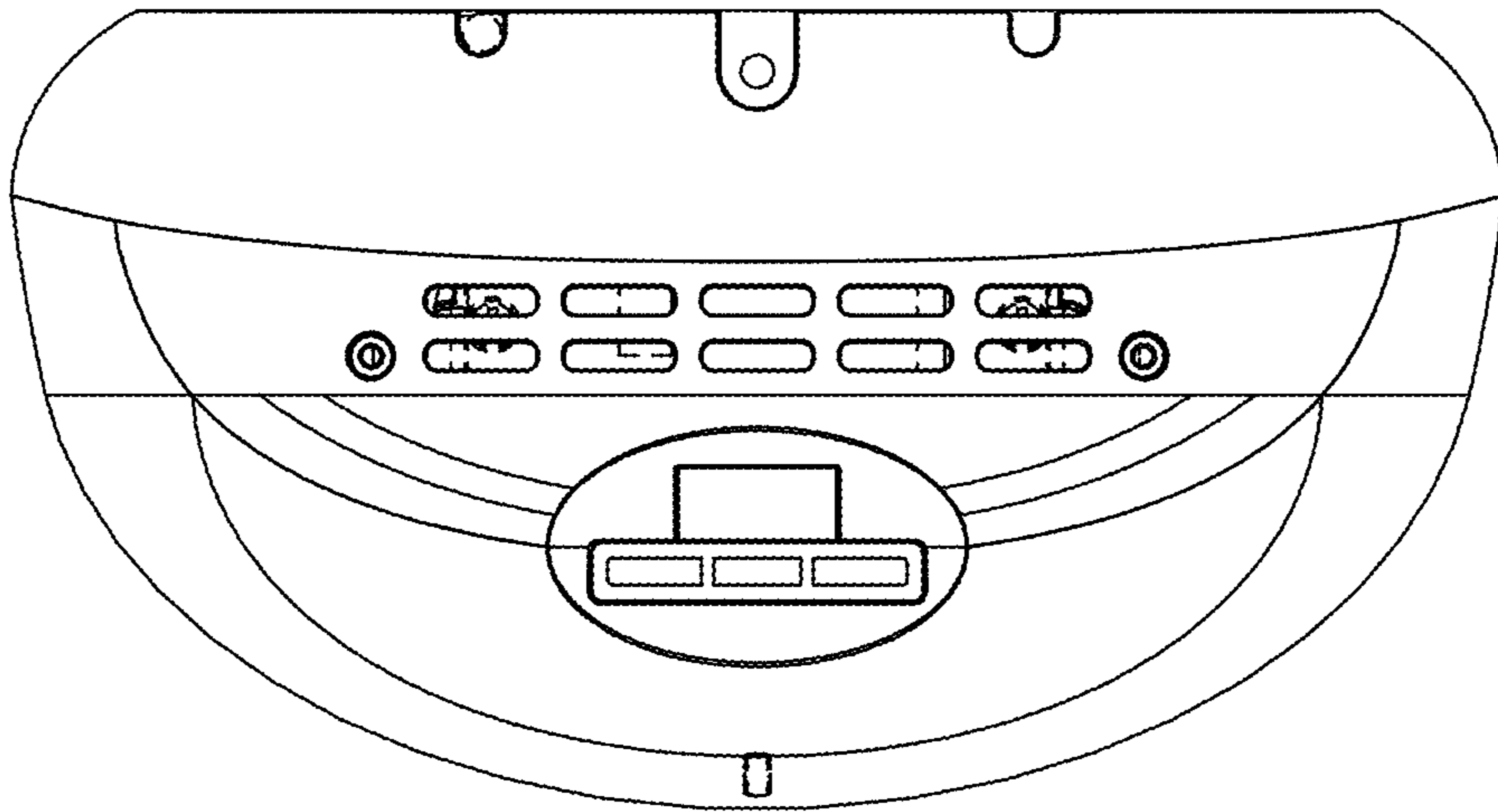


FIG. 6

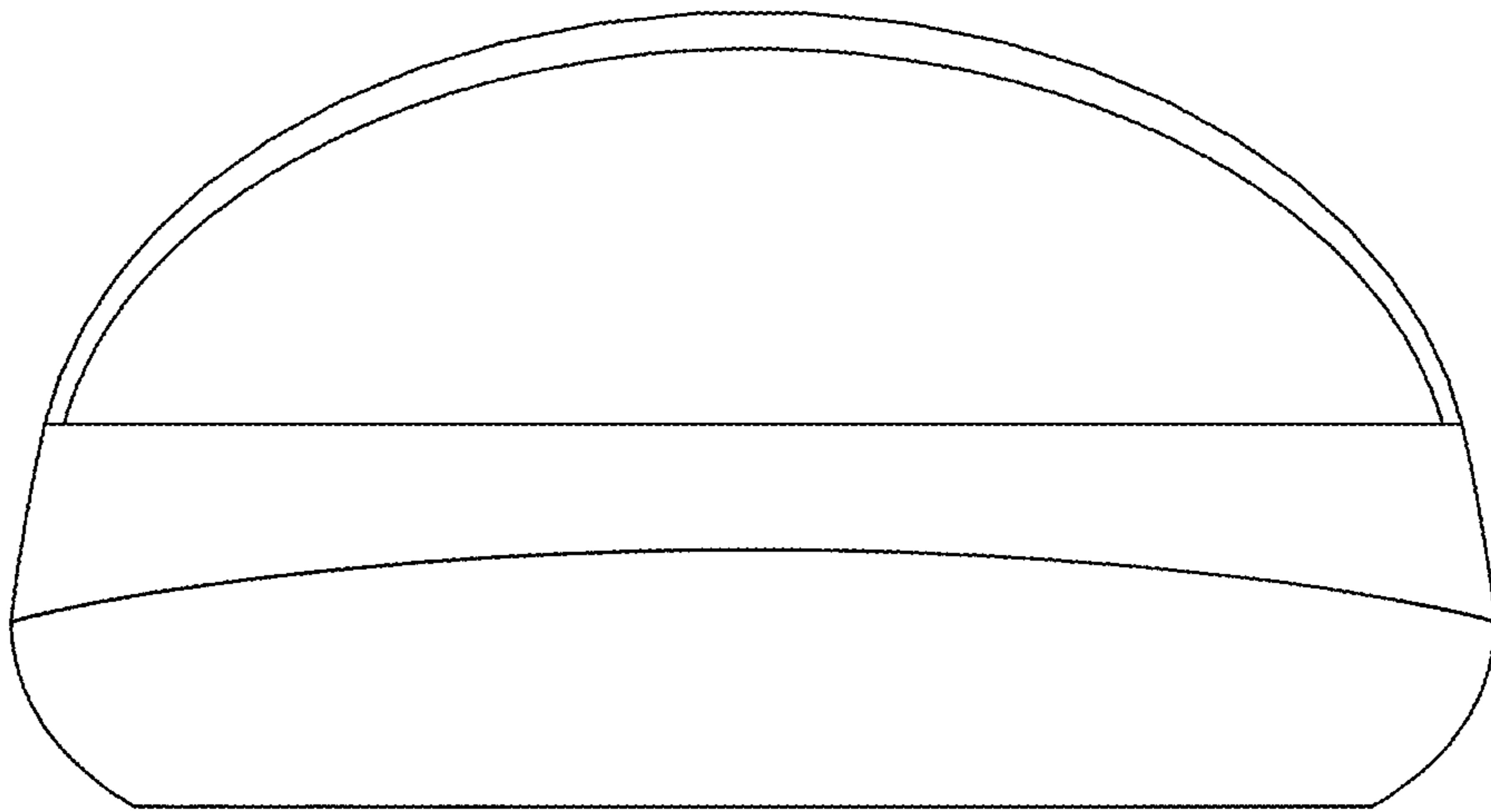


FIG. 7