



US00D944453S

(12) **United States Design Patent**
Ernotte

(10) **Patent No.:** **US D944,453 S**

(45) **Date of Patent:** **** Feb. 22, 2022**

(54) **RAZOR-TRIMMER**

(71) Applicant: **BABYLISS FACO SRL**, Wandre (BE)

(72) Inventor: **Aubry Ernotte**, Theux (BE)

(73) Assignee: **BABYLISS FACO SRL**, Wandre (BE)

(**) Term: **15 Years**

(21) Appl. No.: **35/510,214**

(22) Filed: **Aug. 18, 2020**

(80) **Hague Agreement Data**

Int. Filing Date: **Aug. 18, 2020**

Int. Reg. No.: **DM/209973**

Int. Reg. Date: **Aug. 18, 2020**

Int. Reg. Pub. Date: **Sep. 4, 2020**

(30) **Foreign Application Priority Data**

Feb. 25, 2020 (EP) 007714498-0002

(51) **LOC (13) Cl.** **28-03**

(52) **U.S. Cl.**
USPC **D28/53**

(58) **Field of Classification Search**

USPC D28/46-54
CPC . B26B 21/225; B26B 19/3853; B26B 21/443;
B26B 21/521; B26B 19/3873; B26B
21/4012; B26B 21/405; B26B 21/4068;
B26B 21/522; B26B 19/00; B26B
19/3806; B26B 19/382; B26B 19/388;
B26B 19/46; B26B 19/48; B26B 21/222;
B26B 21/227; B26B 21/28; B26B
21/4018; B26B 21/4056; B26B 21/44;
B26B 21/523; B26B 21/528; B26B 21/60;
B26B 21/10; B26B 21/16; B26B 21/18;
B26B 21/20; B26B 21/22; B26B 21/24;

B26B 21/40; B26B 21/4025; B26B
21/4031; B26B 21/4037; B26B 21/4062;
B26B 21/4081; B26B 21/4087; B26B
21/52; B26B 21/526; B26B 21/527; B26B
21/56; B26B 21/565; B26B 21/58; B26B
7/00

See application file for complete search history.

(56) **References Cited**

U.S. PATENT DOCUMENTS

D872,366 S *	1/2020	Cociffi	D28/53
D883,572 S *	5/2020	Cociffi	D28/53
D897,601 S *	9/2020	Zhang	D28/53
D899,690 S *	10/2020	de Belizal	D28/53
D902,487 S *	11/2020	Cociffi	D28/53
D905,909 S *	12/2020	Wang	D28/53
D908,962 S *	1/2021	Tran	D28/51
D910,920 S *	2/2021	Jiang	D28/53

* cited by examiner

Primary Examiner — Khawaja Anwar

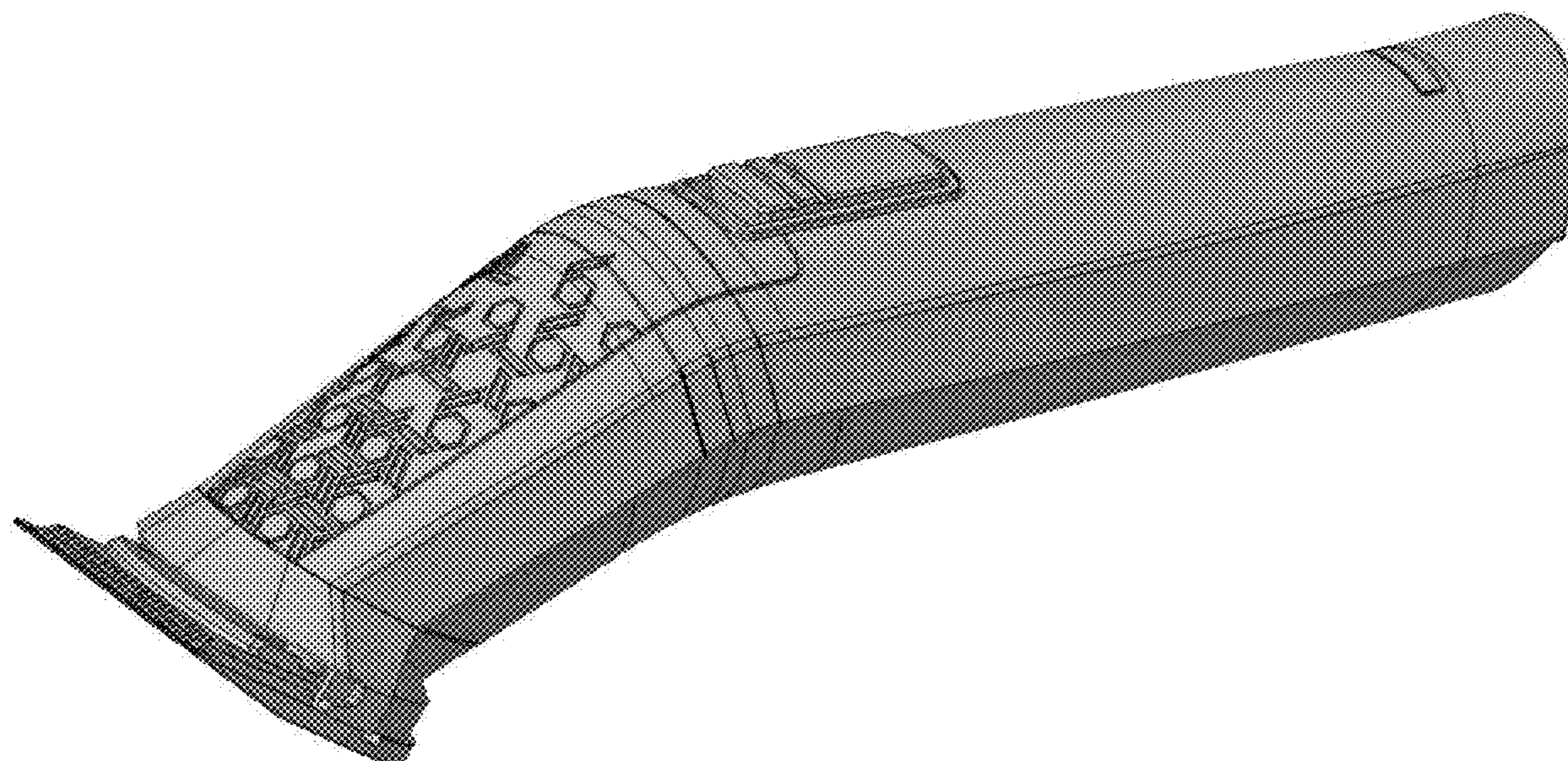
(57) **CLAIM**

The ornamental design for razor-trimmer, as shown and described.

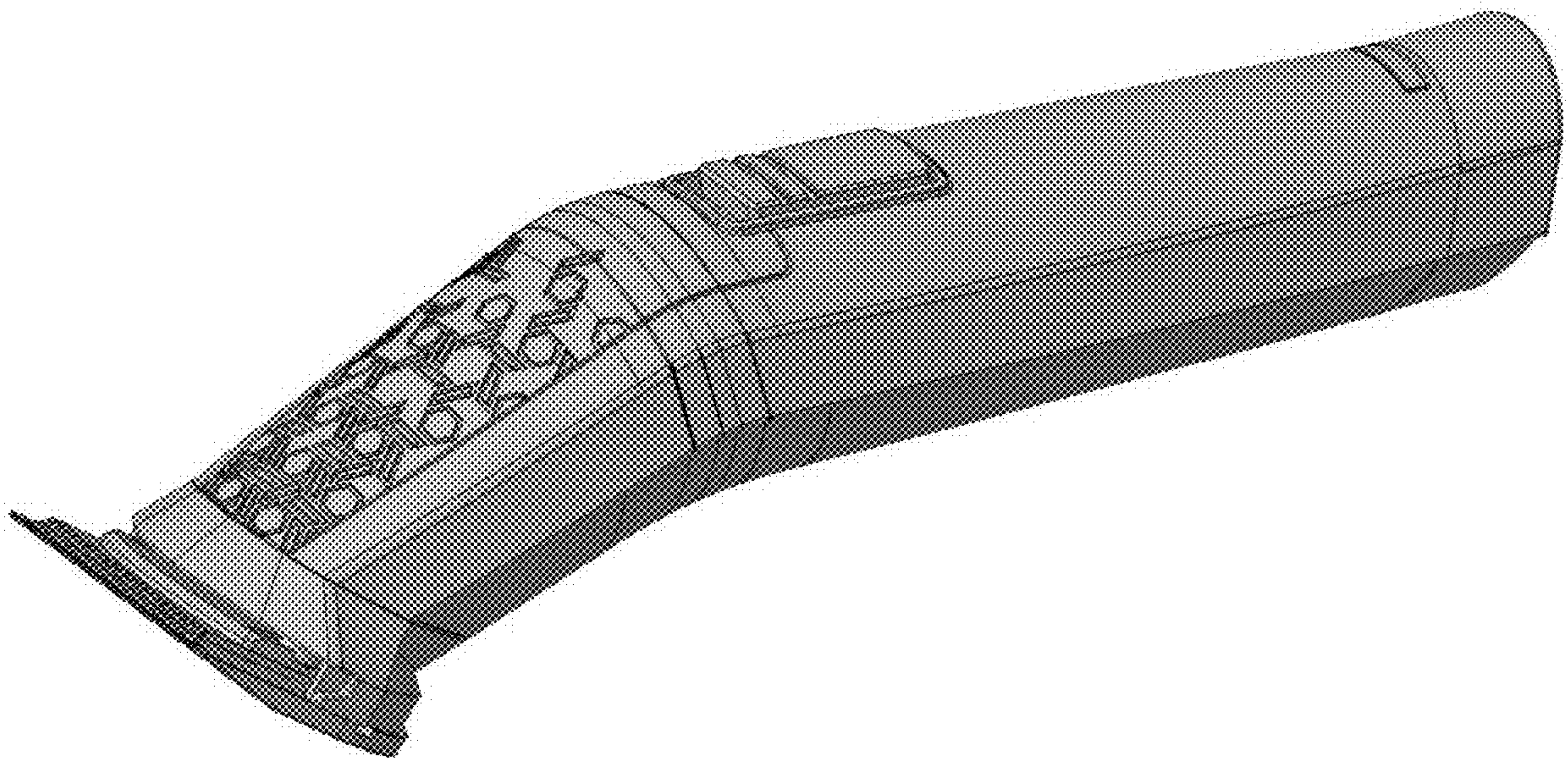
DESCRIPTION

Figure 1.1 is a top perspective view of a razor-trimmer showing my new design;
Figure 1.2 is a rear elevational view thereof;
Figure 1.3 is a left side view thereof, the right side view being a mirror image thereof;
Figure 1.4 is a bottom plain view thereof;
Figure 1.5 is a front elevational view thereof;
Figure 1.6 is another perspective view thereof; and
Figure 1.7 is a top plain view thereof; and
Figure 1.8 is a right side view thereof.

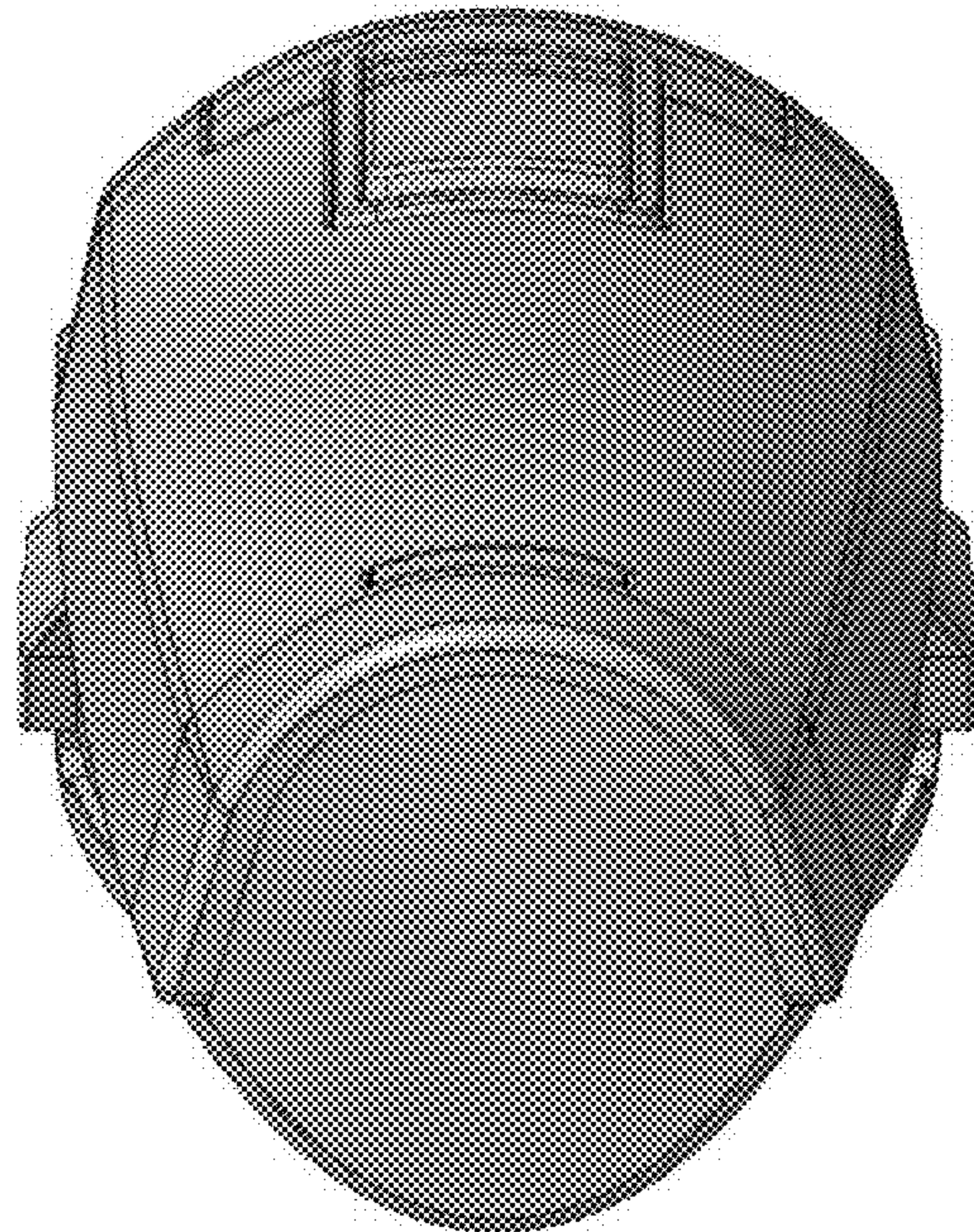
1 Claim, 8 Drawing Sheets



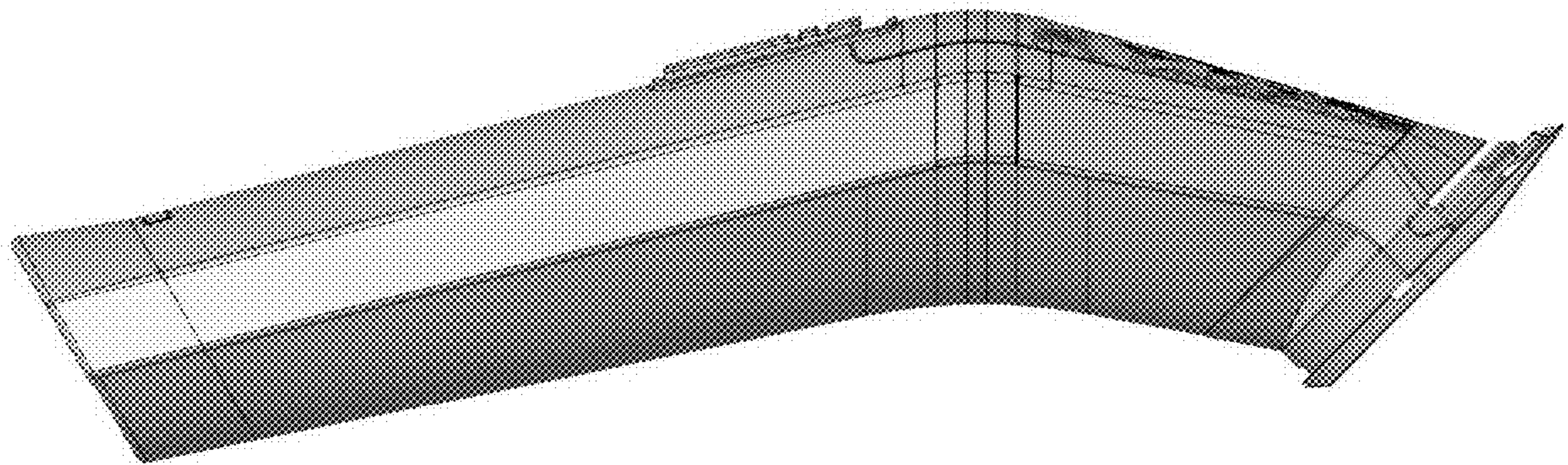
1.1



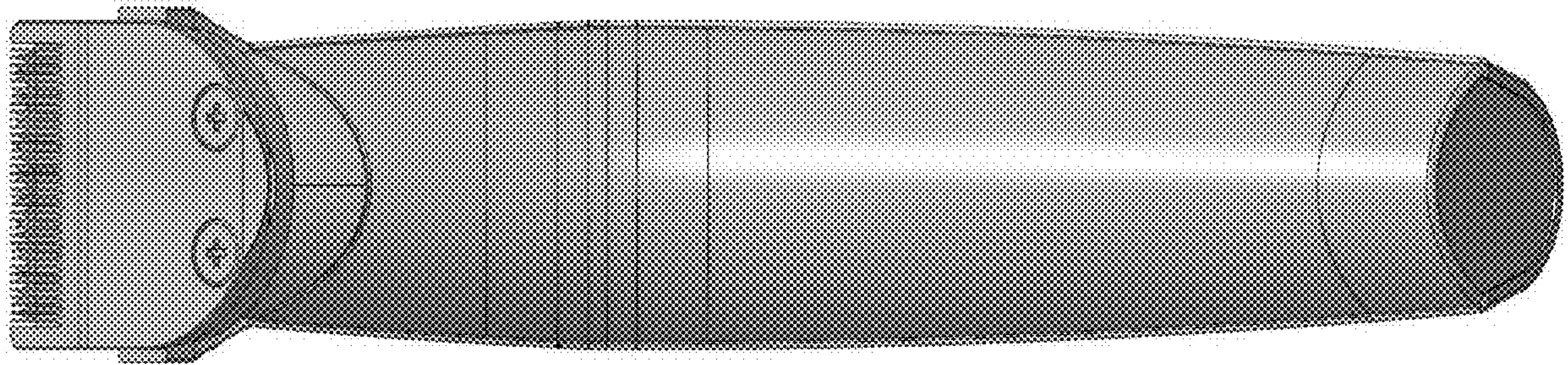
1.2



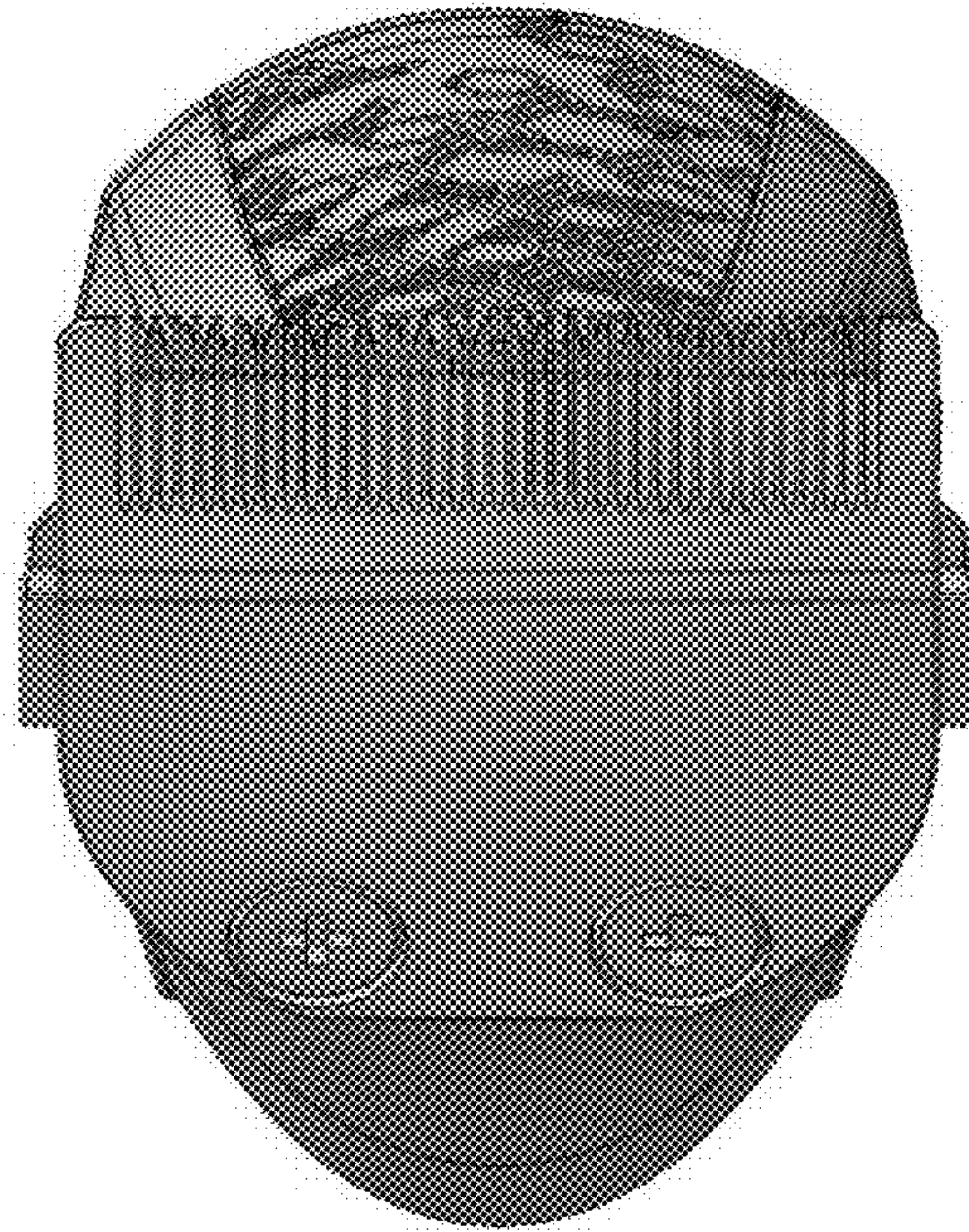
1.3



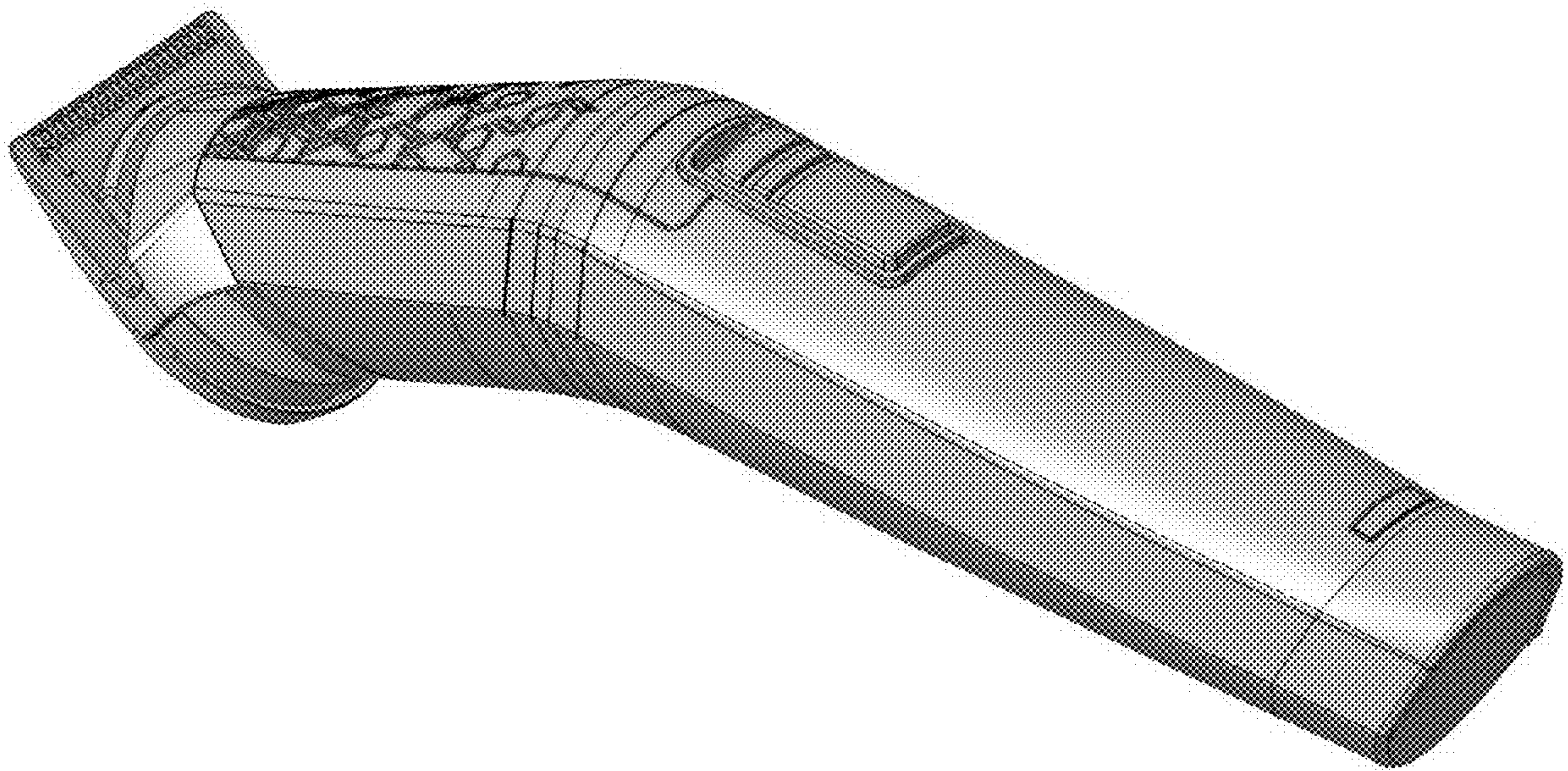
1.4



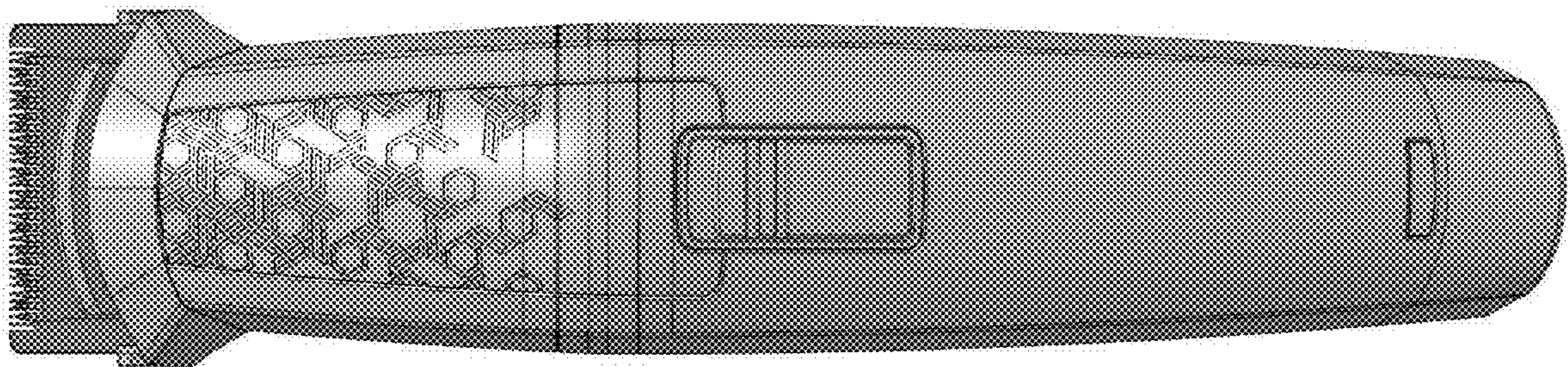
1.5



1.6



1.7



1.8

