



US00D944449S

(12) **United States Design Patent** (10) **Patent No.:** **US D944,449 S**
Roth (45) **Date of Patent:** **** Feb. 22, 2022**

(54) **PORTABLE CIGARETTE-MAKING MACHINE**

D821,641 S * 6/2018 Watson D27/194
D869,651 S * 12/2019 Du D24/115
D903,005 S * 11/2020 Ma D21/452

(71) Applicant: **Bernhard Roth**, Grein (AT)

(72) Inventor: **Bernhard Roth**, Grein (AT)

(**) Term: **15 Years**

(21) Appl. No.: **29/726,747**

(22) Filed: **Mar. 5, 2020**

(30) **Foreign Application Priority Data**

Nov. 19, 2019 (EM) 007262332

(51) **LOC (13) Cl.** **27-99**

(52) **U.S. Cl.**
USPC **D27/194**

(58) **Field of Classification Search**
USPC D27/100, 192, 193, 194, 195, 172, 183;
D21/451, 452, 460, 462, 447, 436;
D24/115
CPC A24C 5/40; A24C 5/42; A24C 5/46; A24C
5/52; A24C 5/465; A24C 5/00; A24C
5/02; A24C 5/10

See application file for complete search history.

(56) **References Cited**

U.S. PATENT DOCUMENTS

D347,865 S * 6/1994 Bertrand D21/452
D368,858 S * 4/1996 Ricci D9/501
D414,824 S * 10/1999 Canoose D21/440
D425,785 S * 5/2000 Hirato D9/504
D602,360 S * 10/2009 Eisen D9/500
D672,607 S * 12/2012 Hainan D7/505
D679,340 S * 4/2013 Genovese D21/452
D712,535 S * 9/2014 Du D24/115
D768,495 S * 10/2016 Staab D9/529
D815,349 S * 4/2018 Watson D27/194
D818,321 S * 5/2018 Bodum D7/598

OTHER PUBLICATIONS

Cigarette Filling Machine By: Okochem found on line Jun. 4, 2021
https://www.okchem.com/product/al_HERO-BRAND-Wine-300-MI-500_60775905547_6384866.html.*

Toy Space Rocket By: Fun Express Space Galaxy found on Amazon
Jun. 4, 2021 https://www.amazon.com/Fun-Express-Space-Galaxy-Themed-Parties/dp/B07JHSWS99/ref=sr_1_31?dchild=1&keywords=space+rocket&qid=1622782734&sr=8-31 Feb. 15, 2019.*

* cited by examiner

Primary Examiner — Marissa J Cash

Assistant Examiner — Rebecca Tsehaye

(74) *Attorney, Agent, or Firm* — Alston & Bird LLP

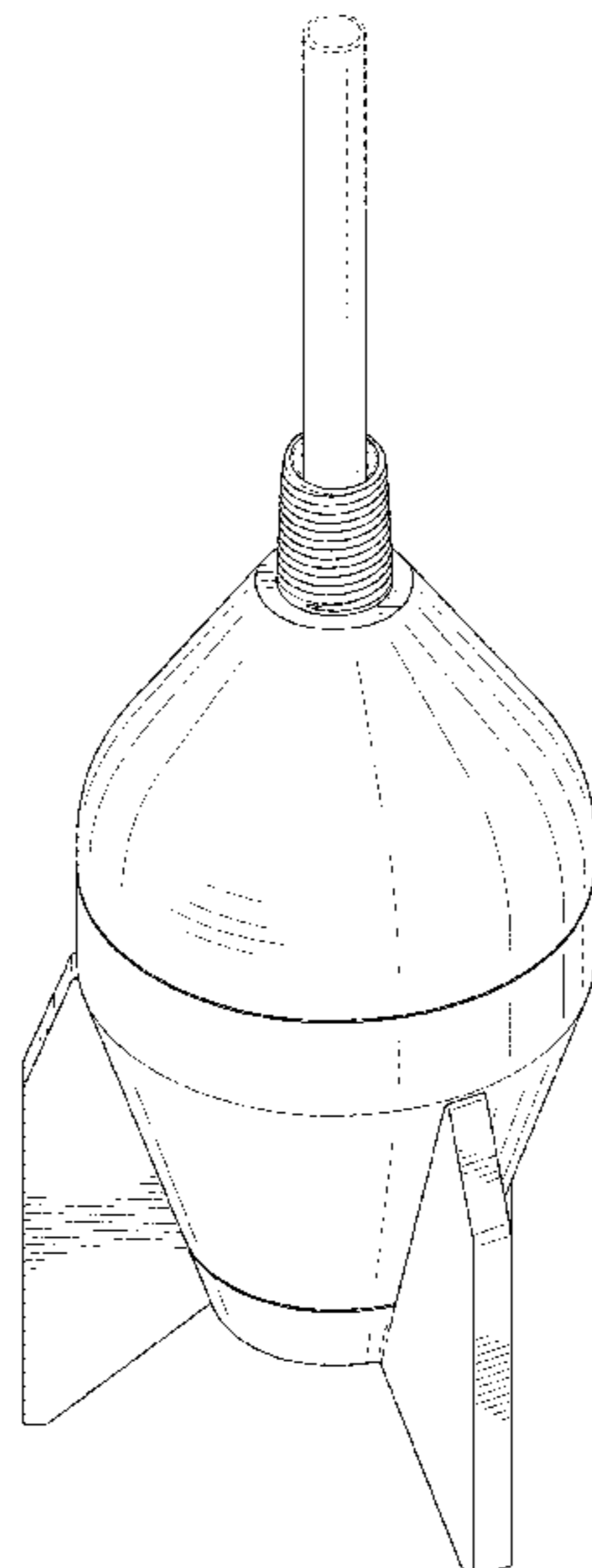
(57) **CLAIM**

I claim the ornamental design for portable cigarette-making machine, as shown and described.

DESCRIPTION

FIG. 1 is a perspective view of portable cigarette-making machine showing my new design;
FIG. 2 is a bottom perspective view thereof;
FIG. 3 is a front elevation view thereof;
FIG. 4 is a rear elevation view thereof;
FIG. 5 is a left side elevation view thereof;
FIG. 6 is a right side elevation view thereof;
FIG. 7 is a top plan view thereof; and,
FIG. 8 is a bottom plan view thereof.
The broken lines illustrate portions of the portable cigarette-making machine that form no part of the claimed design.

1 Claim, 7 Drawing Sheets



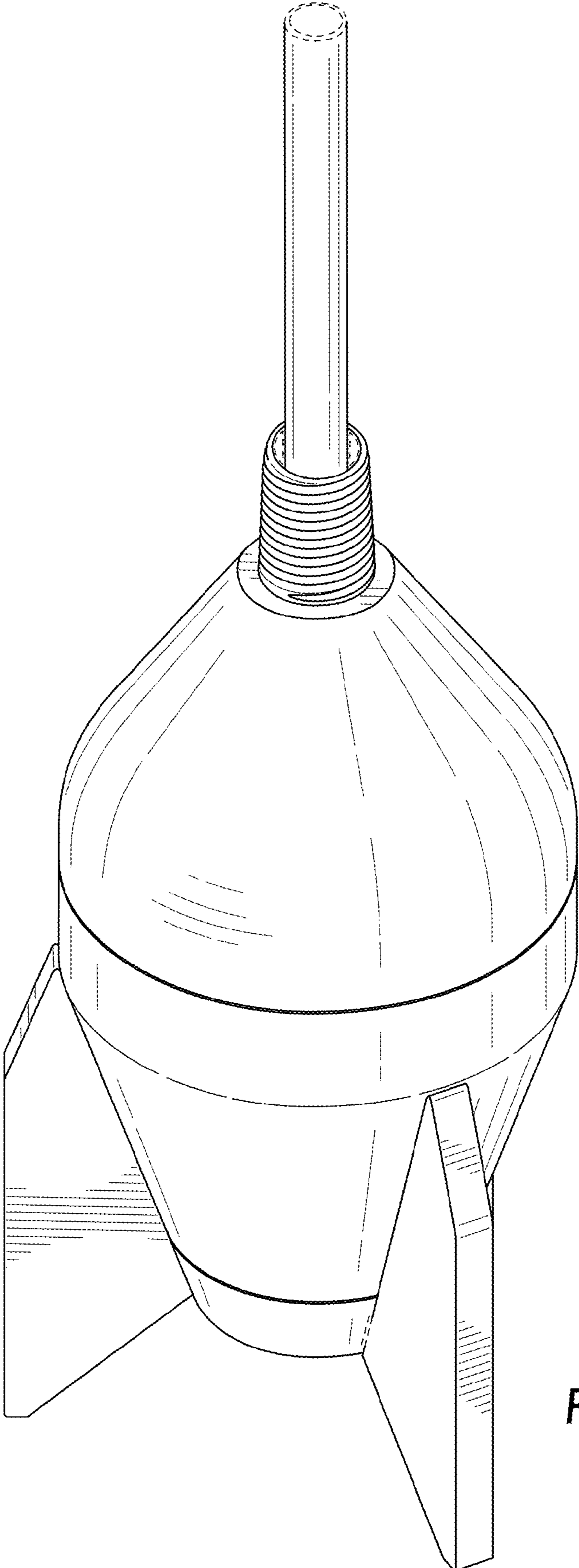


FIG. 1

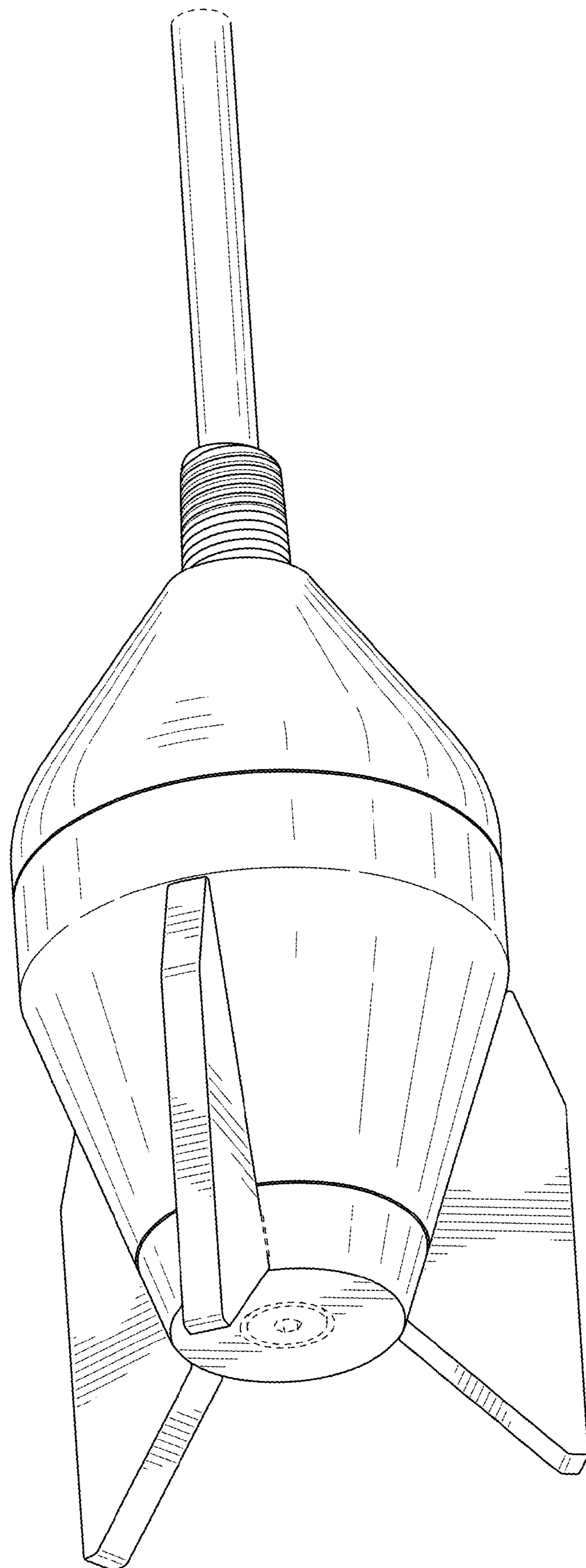


FIG. 2

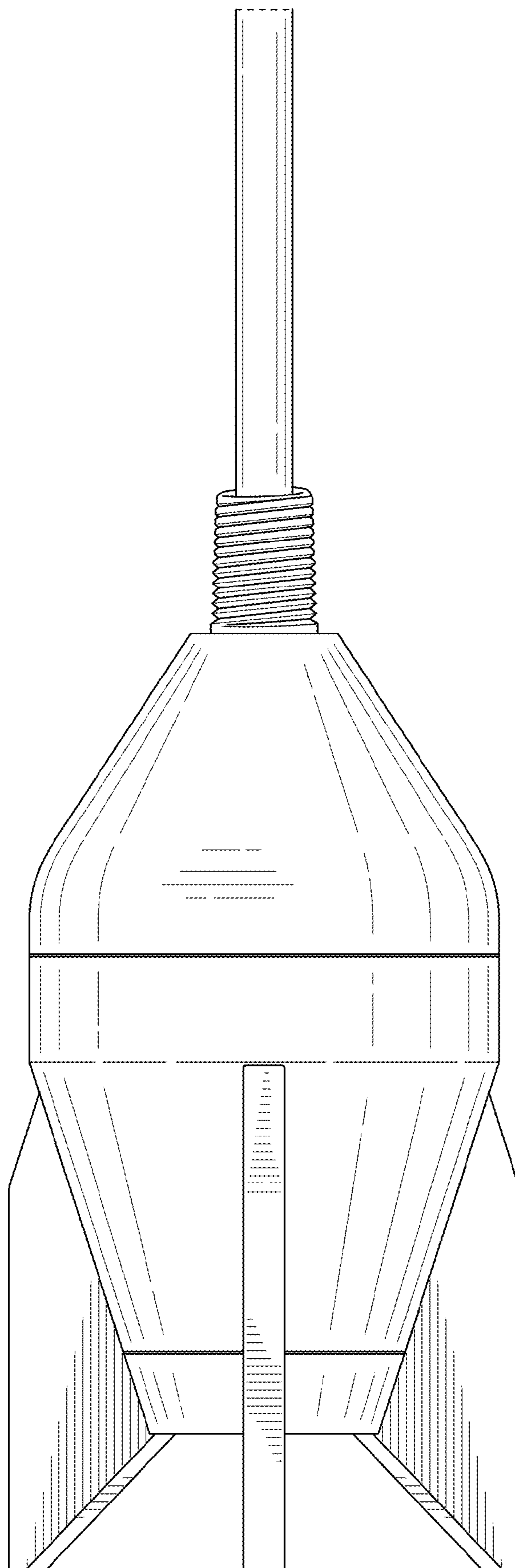


FIG. 3

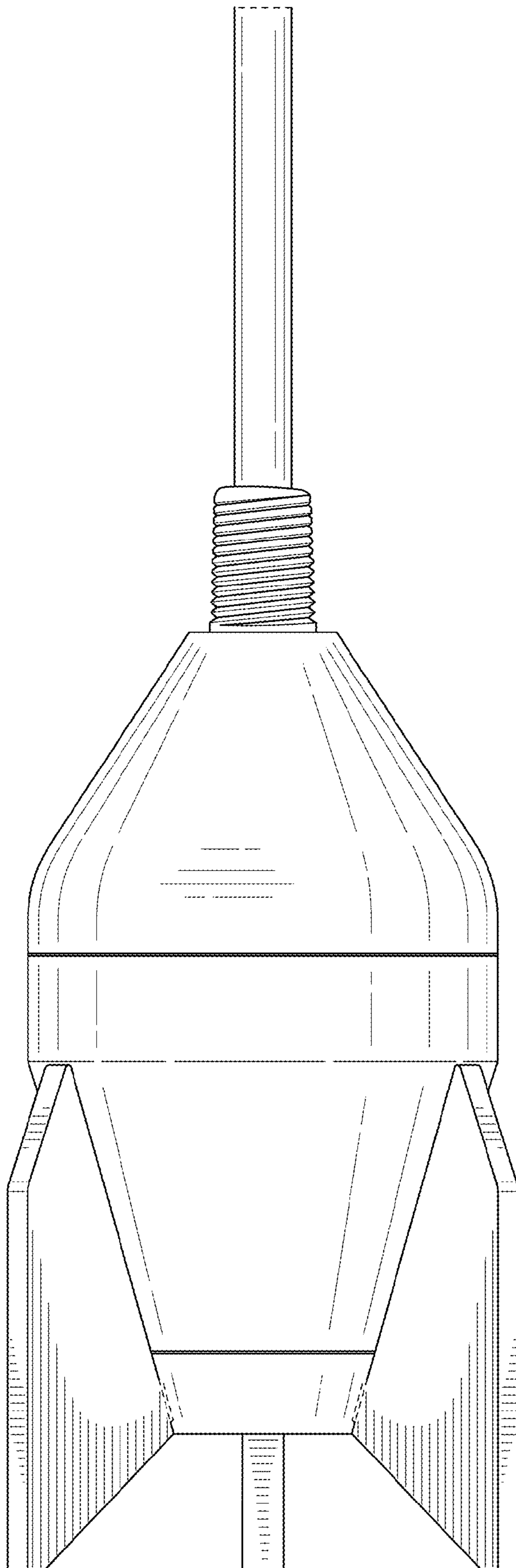


FIG. 4

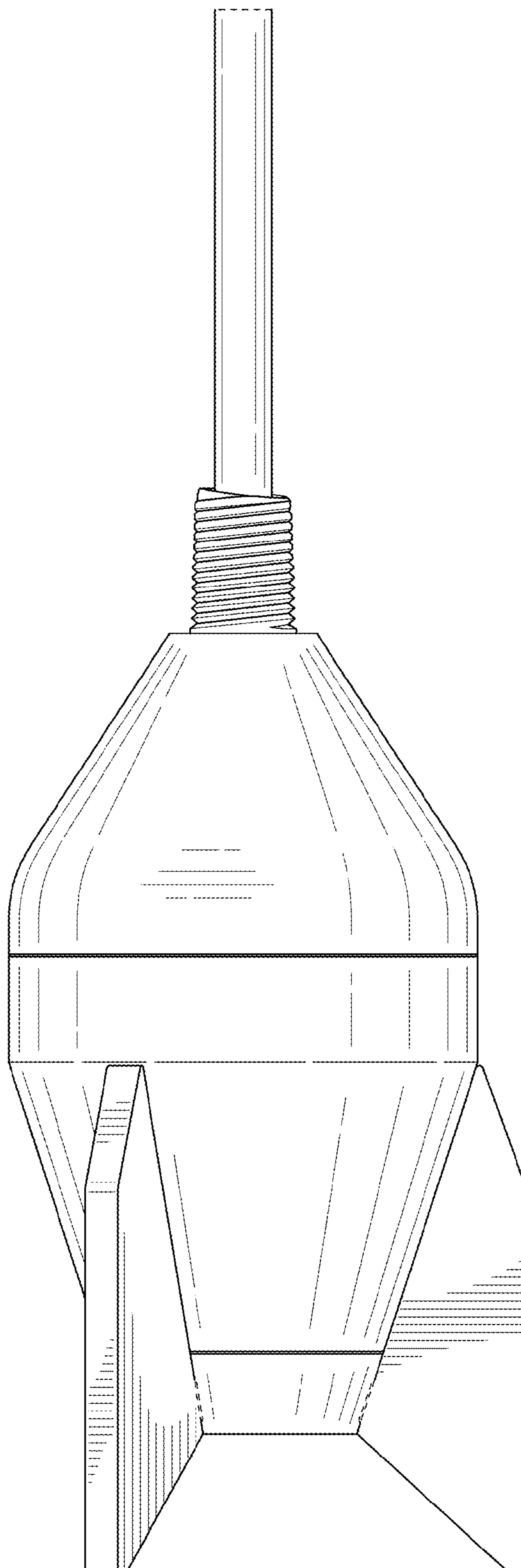


FIG. 5

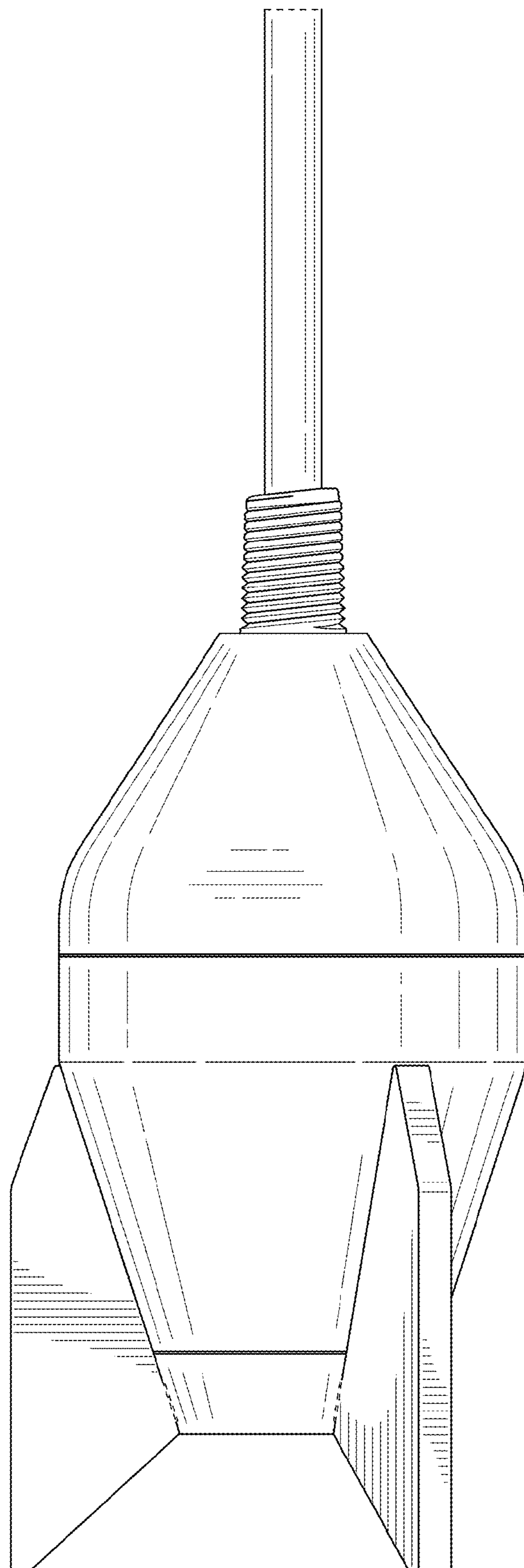


FIG. 6

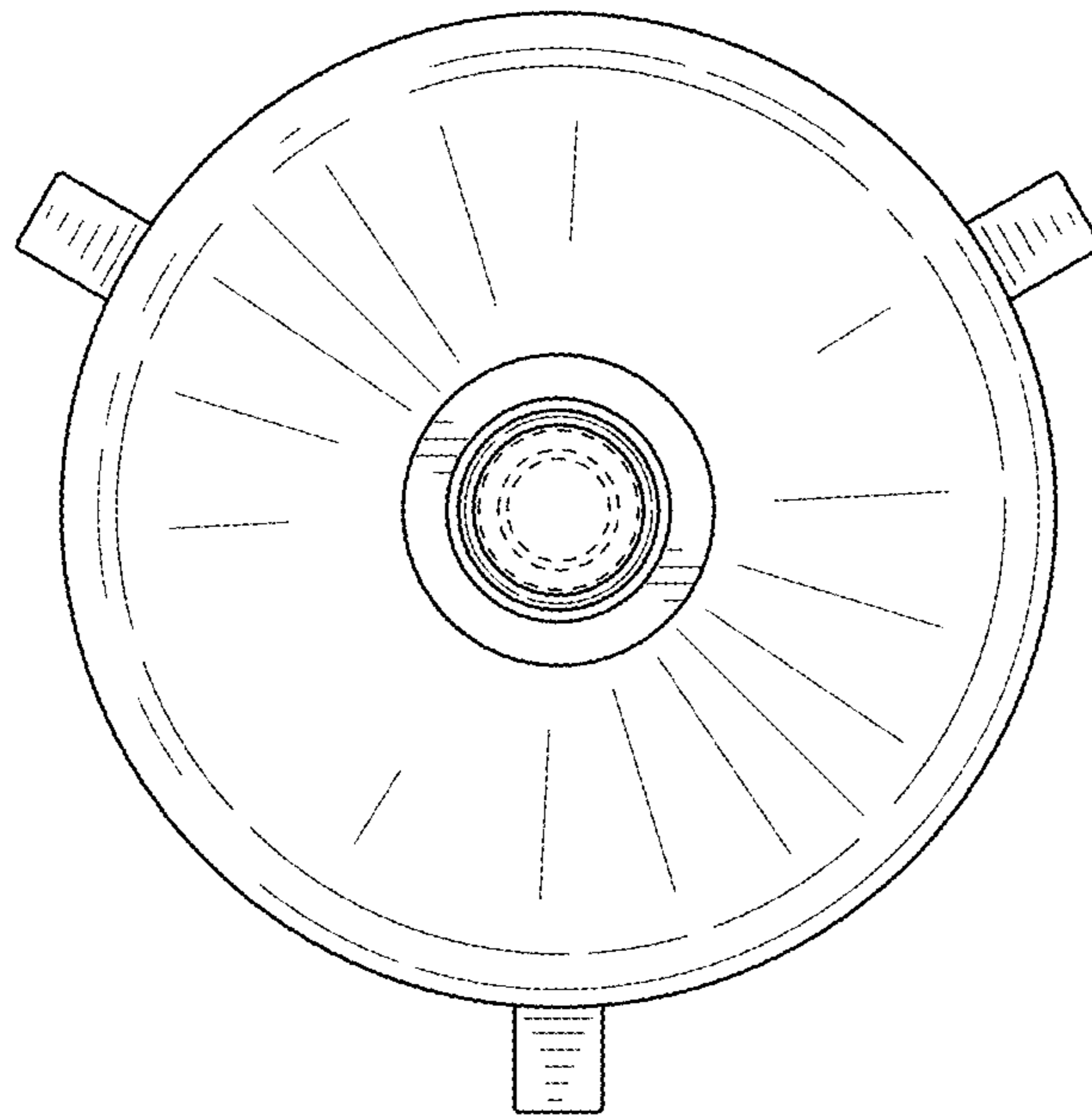


FIG. 7

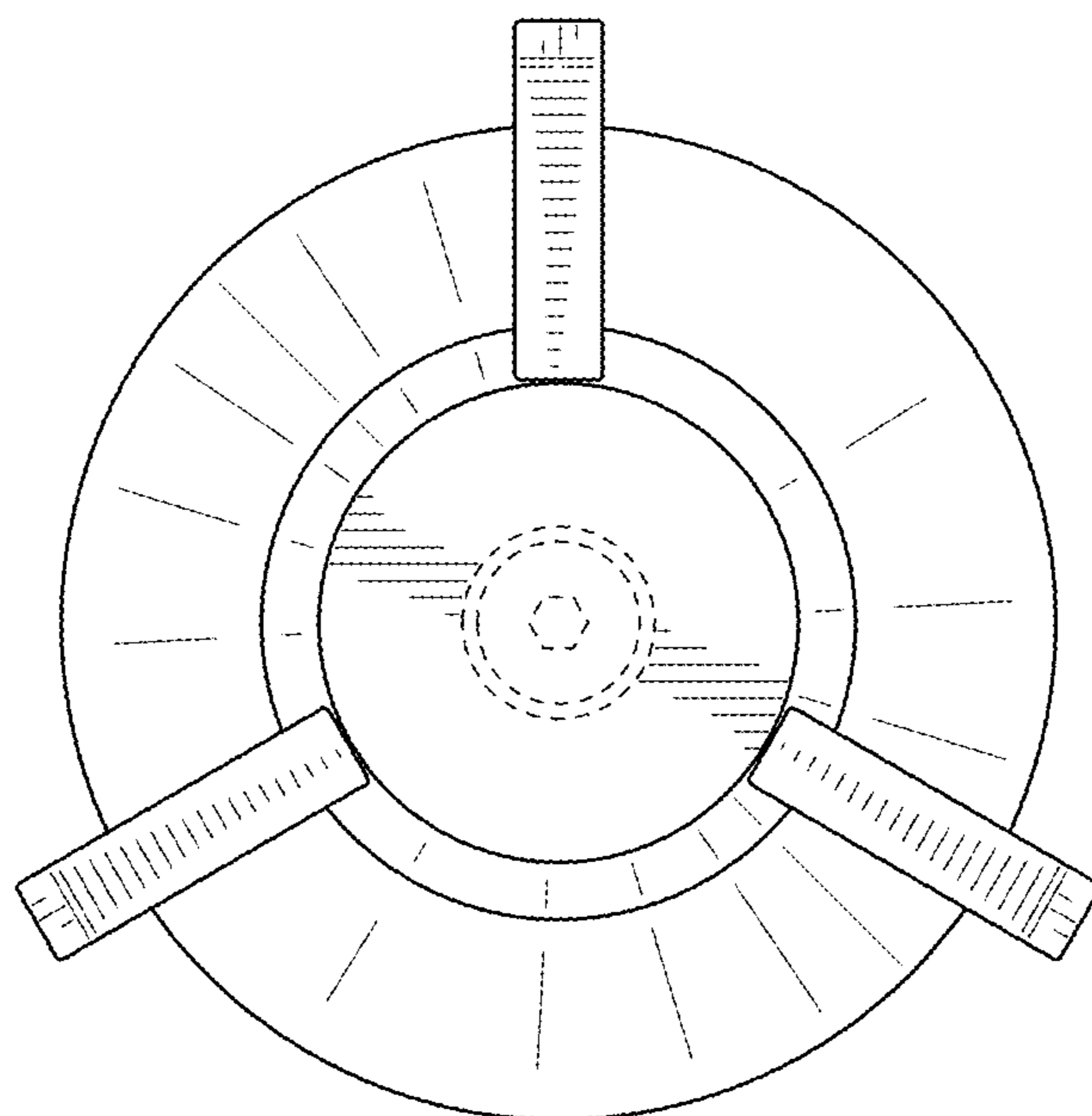


FIG. 8